



# technical data

Water cooled - Standard series  
(Heat recovery - Heat pump)

RWEYQ-PY1

air conditioning systems

**R-410A**



# technical data

Water cooled - Standard series  
(Heat recovery - Heat pump)

RWEYQ-PY1

air conditioning systems

**R-410A**

# TABLE OF CONTENTS

## Standard series - RWEYQ-PY1

1	Specifications .....	2
	Independent Unit .....	2
	Technical Specifications .....	2
	Electrical Specifications (50Hz) .....	4
2	Electrical data .....	5
3	Options .....	6
	Option list .....	6
	Water piping strainer (BWU26A15/BWU26A20) .....	6
4	Capacity tables .....	8
	Water flow head loss .....	8
	Cooling capacity tables .....	9
	Heating capacity tables .....	36
	Capacity correction factor .....	63
5	Dimensional drawing & centre of gravity .....	66
	Dimensional drawing .....	66
	Centre of gravity .....	67
6	Piping diagram .....	68
7	Wiring diagram .....	69
	Wiring diagram .....	69
	External connection diagram .....	70
8	Sound data .....	71
	Sound pressure spectrum .....	71
9	Installation .....	72
	Service space .....	72
	Refrigerant pipe selection .....	73
10	Operation range .....	75

# 1 Specifications

1-1 Independent Unit			RWEYQ8PY1	RWEYQ10PY1	RWEYQ16PY1	RWEYQ18PY1	RWEYQ20PY1
Outdoor Unit			RWEYQ8PY1	RWEYQ10PY1	RWEYQ8PY1	RWEYQ10PY1	RWEYQ10PY1
					RWEYQ8PY1	RWEYQ8PY1	RWEYQ10PY1

1-2 Technical Specifications				RWEYQ8PY1	RWEYQ10PY1	RWEYQ16PY1	RWEYQ18PY1	RWEYQ20PY1
Capacity	Cooling	kW		22.4	26.7	44.8	49.1	53.4
	Heating	kW		25.0	31.5	50.0	56.5	63.0
Power input (nominal)	Cooling	kW		4.55	6.03	9.10	10.6	12.1
	Heating	kW		4.24	6.05	8.48	10.3	12.1
Max no of indoor units to be connected				13	16	26	29	32
Casing	Colour			Ivory white (5Y7,5/1)				
Dimensions	Unit	Height	mm	1,000				
		Width	mm	780	780	780 + 780	780 + 780	780 + 780
		Depth	mm	550	550	550	550	550
Weight	Unit	kg	149	150	149 + 149	150 + 149	150 + 150	
Heat Exchanger	Dimensions	Type		Stainless steel plate				
Compressor	Piston displacement		m	14.61	14.61	14.61 + 14.61	14.61 + 14.61	14.61 + 14.61
	Motor	Type		Hermetically sealed scroll compressor				
		Speed	rpm	6,900	6,900	6,900 + 6,900	6,900 + 6,900	6,900 + 6,900
		Motor Output	kW	4.0	4.2	4.0 + 4.0	4.2 + 4.0	4.2 + 4.2
		Starting Method		Soft start				
Sound level	Cooling	Sound Pressure (Nominal)	dBA	50	51	53	54	54
Refrigerant	Name			R-410A				
	Charge	kg		3.5	4.2	3.5 + 3.5	4.2 + 3.5	4.2 + 4.2
	Control			Expansion valve (electronic type)				
Refrigerant Oil	Name			Synthetic (ether) oil				
Piping connections	Liquid (OD)	Type		Flare connection				
		Diameter (OD)	mm	9.52	9.52	12.7	15.9	15.9
	Gas (in case of heat recovery)	Type		Braze connection				
		Diameter (OD)	mm	19.1	22.2	28.6	28.6	28.6
	Discharge Gas (in case of heat recovery)	Type		Braze connection				
		Diameter (OD)	mm	15.9	19.1	22.2	22.2	22.2
	Discharge Gas (in case of heat pump)	Type		Braze connection				
		Diameter (OD)	mm	19.1	22.2	28.6	28.6	28.6
Water inlet		PT1 1/4B internal thread						
Water outlet		PT1 1/4B internal thread						
Drain outlet		PS 1/2B internal thread						
Capacity Control				23 to 100	23 to 100	11 to 100	11 to 100	11 to 100
Safety devices				HPS				
				Inverter overload protector				
				Fusible plugs				
Standard Accessories				Installation manual				
				Operation manual				
				Connection pipes				
				Clamps				
Notes				Nominal cooling capacities are based on : indoor temperature : 27°CDB, 19°CWB, inlet water temperature : 30°C, equivalent refrigerant piping : 7.5m, level difference : 0m.				
				Nominal heating capacities are based on : indoor temperature : 20°CDB, inlet water temperature : 20°C, equivalent refrigerant piping : 7.5m, level difference : 0m				
				This unit should not be installed outdoors, but indoors eg. in a machine room, etc.				
		Hold ambient temperature at 0-46°C and humidity at 80%RH or less. Heat rejection from the casing: 0.64kW/8HP	Hold ambient temperature at 0-40°C and humidity at 80%RH or less. Heat rejection from the casing: 0.71kW/10HP	Hold ambient temperature at 0-40°C and humidity at 80%RH or less. Heat rejection from the casing: 0.64kW/8HP	Hold ambient temperature at 0-40°C and humidity at 80%RH or less. Heat rejection from the casing: 0.64kW/8HP	Hold ambient temperature at 0-40°C and humidity at 80%RH or less. Heat rejection from the casing: 0.71kW/10HP	Hold ambient temperature at 0-40°C and humidity at 80%RH or less. Heat rejection from the casing: 0.71kW/10HP	Hold ambient temperature at 0-40°C and humidity at 80%RH or less. Heat rejection from the casing: 0.71kW/10HP
						Hold ambient temperature at 0-40°C and humidity at 80%RH or less. Heat rejection from the casing: 0.71kW/10HP		

# 1 Specifications

1-1 Independent Unit	RWEYQ24PY1	RWEYQ26PY1	RWEYQ28PY1	RWEYQ30PY1
Outdoor Unit	RWEYQ8PY1	RWEYQ10PY1	RWEYQ10PY1	RWEYQ10PY1
	RWEYQ8PY1	RWEYQ8PY1	RWEYQ10PY1	RWEYQ10PY1
	RWEYQ8PY1	RWEYQ8PY1	RWEYQ8PY1	RWEYQ10PY1

1-2 Technical Specifications				RWEYQ24PY1	RWEYQ26PY1	RWEYQ28PY1	RWEYQ30PY1
Capacity	Cooling	kW		67.2	71.5	75.8	80.1
	Heating	kW		75.0	81.5	88.0	94.5
Power input (nominal)	Cooling	kW		13.7	15.1	16.6	18.1
	Heating	kW		12.7	14.5	16.3	18.2
Max no of indoor units to be connected				36			
Casing	Colour			Ivory white (5Y7,5/1)			
Dimensions	Unit	Height	mm	1,000			
		Width	mm	780 + 780 + 780			
		Depth	mm	550	550	550	550
Weight	Unit		kg	149 + 149 + 149	150 + 149 + 149	150 + 150 + 149	150 + 150 + 150
Heat Exchanger	Dimensions	Type		Stainless steel plate			
Compressor	Piston displacement		m	14.61 + 14.61 + 14.61			
	Motor	Type		Hermetically sealed scroll compressor			
		Speed	rpm	6,900 + 6,900 + 6,900			
		Motor Output	kW	4.0 + 4.0 + 4.0	4.2 + 4.0 + 4.0	4.2 + 4.2 + 4.0	4.2 + 4.2 + 4.2
Starting Method		Soft start					
Sound level	Cooling	Sound Pressure (Nominal)	dBA	55			
Refrigerant	Name			R-410A			
	Charge	kg		3.5 + 3.5 + 3.5	4.2 + 3.5 + 3.5	4.2 + 4.2 + 3.5	4.2 + 4.2 + 4.2
	Control			Expansion valve (electronic type)			
Refrigerant Oil	Name			Synthetic (ether) oil			
Piping connections	Liquid (OD)	Type		Flare connection			
		Diameter (OD)	mm	15.9	19.1	19.1	19.1
	Gas (in case of heat recovery)	Type		Braze connection			
		Diameter (OD)	mm	34.9			
	Discharge Gas (in case of heat recovery)	Type		Braze connection			
		Diameter (OD)	mm	28.6			
	Discharge Gas (in case of heat pump)	Type		Braze connection			
		Diameter (OD)	mm	34.9			
Water inlet				PT1 1/4B internal thread			
Water outlet				PT1 1/4B internal thread			
Drain outlet				PS 1/2B internal thread			
Capacity Control				8 to 100			
Safety devices				HPS			
				Inverter overload protector			
				Fusible plugs			
Standard Accessories	Standard Accessories			Installation manual			
				Operation manual			
				Connection pipes			
				Cramps			
Notes				Nominal cooling capacities are based on : indoor temperature : 27°CDB, 19°CWB, inlet water temperature : 30°C, equivalent refrigerant piping : 7.5m, level difference : 0m.			
				Nominal heating capacities are based on : indoor temperature : 20°CDB, inlet water temperature : 20°C, equivalent refrigerant piping : 7.5m, level difference : 0m			
				This unit should not be installed outdoors, but indoors eg. in a machine room, etc.			
		Hold ambient temperature at 0-40°C and humidity at 80%RH or less. Heat rejection from the casing: 0.64kW/8HP		Hold ambient temperature at 0-40°C and humidity at 80%RH or less. Heat rejection from the casing: 0.64kW/8HP		Hold ambient temperature at 0-40°C and humidity at 80%RH or less. Heat rejection from the casing: 0.64kW/8HP	Hold ambient temperature at 0-40°C and humidity at 80%RH or less. Heat rejection from the casing: 0.71kW/10HP
				Hold ambient temperature at 0-40°C and humidity at 80%RH or less. Heat rejection from the casing: 0.71kW/10HP		Hold ambient temperature at 0-40°C and humidity at 80%RH or less. Heat rejection from the casing: 0.71kW/10HP	

1  
1

# 1 Specifications

1-3 Electrical Specifications (50Hz)			RWEYQ8PY1	RWEYQ10PY1	RWEYQ16PY1	RWEYQ18PY1	RWEYQ20PY1
Power Supply	Name		Y1				
	Phase		3~				
	Frequency	Hz	50				
	Voltage	V	380-415				
Current	Maximum Running Current	A	7.2	9.5	7.2 + 7.2	7.2 + 9.5	9.5 + 9.5
	Minimum circuit amps (MCA)	A	12.6	12.6	25.3	25.3	25.3
	Maximum fuse amps (MFA)	A	25	25	35	35	35
	Total overcurrent amps (TOCA)	A	13.5	13.5	27.0	27.0	27.0
Voltage range	Minimum	V	342	342	342	342	342
	Maximum	V	456	456	456	456	456
Notes			RLA is based on the following conditions: Indoor: 27° CDB, 19° CWB, Inlet water: 30°C				
			TOCA means the total value of each OC set				
			MSC means the maximum current during start up of the compressor				
			Voltage range : units are suitable for use on electrical systems where voltage supplied to unit terminal is not below or above listed range limits				
			Maximum allowable voltage range variation between phases is 2%				
			Select wire size based on the larger value of MCA or TOCA				
			MFA is used to select the circuit breaker and the ground fault circuit interrupter (earth leakage circuit breaker)				

1-3 Electrical Specifications (50Hz)			RWEYQ24PY1	RWEYQ26PY1	RWEYQ28PY1	RWEYQ30PY1
Power Supply	Name		Y1			
	Phase		3~			
	Frequency	Hz	50			
	Voltage	V	380-415			
Current	Maximum Running Current	A	7.2 + 7.2 + 7.2	7.2 + 7.2 + 9.5	7.2 + 9.5 + 9.5	9.5 + 9.5 + 9.5
	Minimum circuit amps (MCA)	A	37.9	37.9	37.9	37.9
	Maximum fuse amps (MFA)	A	45	45	45	45
	Total overcurrent amps (TOCA)	A	40.5	40.5	40.5	40.5
Voltage range	Minimum	V	342	342	342	342
	Maximum	V	456	456	456	456
Notes			RLA is based on the following conditions: Indoor: 27° CDB, 19° CWB, Inlet water: 30°C			
			TOCA means the total value of each OC set			
			MSC means the maximum current during start up of the compressor			
			Voltage range : units are suitable for use on electrical systems where voltage supplied to unit terminal is not below or above listed range limits			
			Maximum allowable voltage range variation between phases is 2%			
			Select wire size based on the larger value of MCA or TOCA			
			MFA is used to select the circuit breaker and the ground fault circuit interrupter (earth leakage circuit breaker)			

## 2 Electrical data

### RWEYQ-P

Models	Units				Power supply			Input (W)	
	Hz	Volts	min.	max.	MCA	TOCA	MFA	MSC	RLA
RWEYQ8PY1	50	380	342	456	12.6	13.5	25	-	7.5
		400						-	7.2
		415						-	6.9
RWEYQ10PY1	50	380	342	456	12.6	13.5	25	-	9.9
		400						-	9.5
		415						-	9.1
RWEYQ16PY1	50	380	342	456	25.3	27.0	35	-	7.5+7.5
		400						-	7.2+7.2
		415						-	6.9+6.9
RWEYQ18PY1	50	380	342	456	25.3	27.0	35	-	7.5+9.9
		400						-	7.2+9.5
		415						-	6.9+9.1
RWEYQ20PY1	50	380	342	456	25.3	27.0	35	-	9.9+9.9
		400						-	9.5+9.5
		415						-	9.1+9.1
RWEYQ24PY1	50	380	342	456	37.9	40.5	45	-	7.5+7.5+7.5
		400						-	7.2+7.2+7.2
		415						-	6.9+6.9+6.9
RWEYQ26PY1	50	380	342	456	37.9	40.5	45	-	7.5+7.5+9.9
		400						-	7.2+7.2+9.5
		415						-	6.9+6.9+9.1
RWEYQ28PY1	50	380	342	456	37.9	40.5	45	-	7.5+9.9+9.9
		400						-	7.2+9.5+9.5
		415						-	6.9+9.1+9.1
RWEYQ30PY1	50	380	342	456	37.9	40.5	45	-	9.9+9.9+9.9
		400						-	9.5+9.5+9.5
		415						-	9.1+9.1+9.1

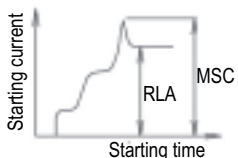
3D048287B

#### SYMBOLS

- 1 MCA: Min. Circuit Amps. (A)
- TOCA: Total Over-current Amps (A)
- MFA: Max. Fuse Amps (A)
- MSC: Max. Starting current
- RLA: Rated Load Amps. (A)

#### NOTES

- 2 RLA is based on the following conditions.  
Indoor temp.: 27°C DB, 19°C WB  
Inlet water temp. / 30°C
- 3 TOCA means the total value of each OC set.
- 4 MSC means the max. current during the starting of compressor.
- 5 Voltage range  
Units are suitable for use on electrical systems where voltage supplied to unit terminal is not below or above listed range limits.
- 6 Maximum allowable voltage variation between phases is 2%.
- 7 Select wire size based on the larger value of MCA or TOCA.
- 8 MFA is used to select the circuit breaker and the ground fault circuit interrupter (earth leakage circuit breaker).



### 3 Options

#### 3 - 1 Option list

RWEYQ-P		Models		
Optional accessories	RWEYQ8,10PY1	RWEYQ16,18,20PY1	RWEYQ24,26,28,30PY1	
Cool / Heat selector		KRC19-26A		
Fixing box		KJB111A		
Refnet header - heat recovery	KHRQ23M29H	KHRQ23M29H, KHRQ23M64H, KHRQ23M75H		
Refnet header - heat pump	KHRQ22M29H	KHRQ22M29H, KHRQ22M64H, KHRQ22M75H		
Refnet joint - heat recovery	KHRQ23M20T, KHRQ23M29T	KHRQ23M20T, KHRQ23M29T, KHRQ23M64T, KHRQ23M75T		
Refnet joint - heat pump	KHRQ22M20T, KHRQ22M29T	KHRQ22M20T, KHRQ22M29T, KHRQ22M64T, KHRQ22M75T		
Outside unit multi connection piping kit	-	BHFP22MA56, BHFP26MA56	BHFP22MA84, BHFP26MA84	
External control adapter for outdoor unit		DTA104A62		
Strainer kit		BWU26A15, BWU26A20		

3D062157

**NOTES**

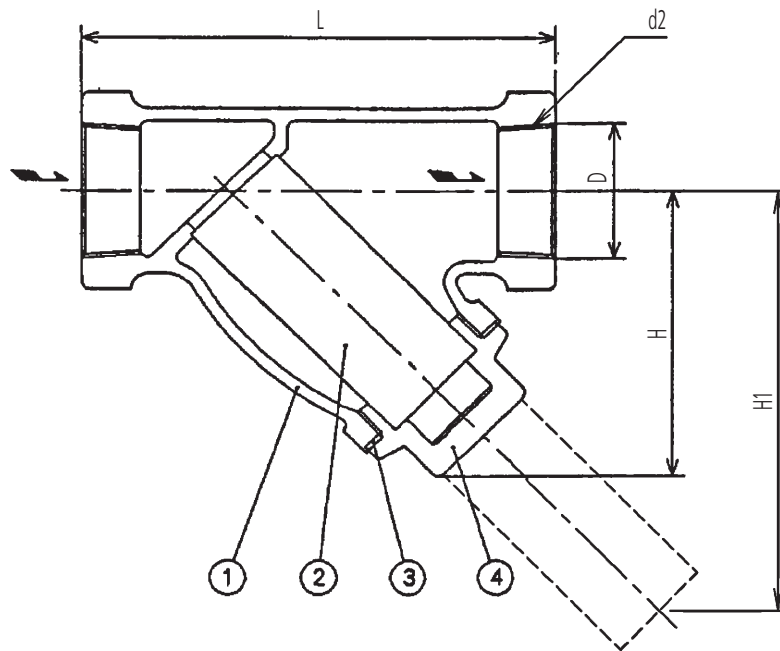
- 1 Refer to the latest drawing.
- 2 In the case of heat recovery system, COOL/HEAT selector cannot be connected.

1

3

#### 3 - 2 Water piping strainer (BWU26A15/BWU26A20)

##### 3 - 2 - 1 Dimension



	Dimension					Material			
	Diameter	H	L	d2	H1	①	②	③	④
BWU26A15	1 1/4	82	135	RC1 1/4	130	CAC	SUS304	Non Abestos Casket	C377BEE
BWU26A20	1 1/4	90	135	RC1 1/4	130	FCD-S	SUS304	Non Abestos Seet Gasket	C3771BE

##### 3 - 2 - 2 Specification

Use fluid: Pluse water of 100°C or less

Use temperature: 0°C ~ 70°C

Design pressure: BWU26A15 (1.4 Mpa), BWU26A20 (1.96 Mpa)

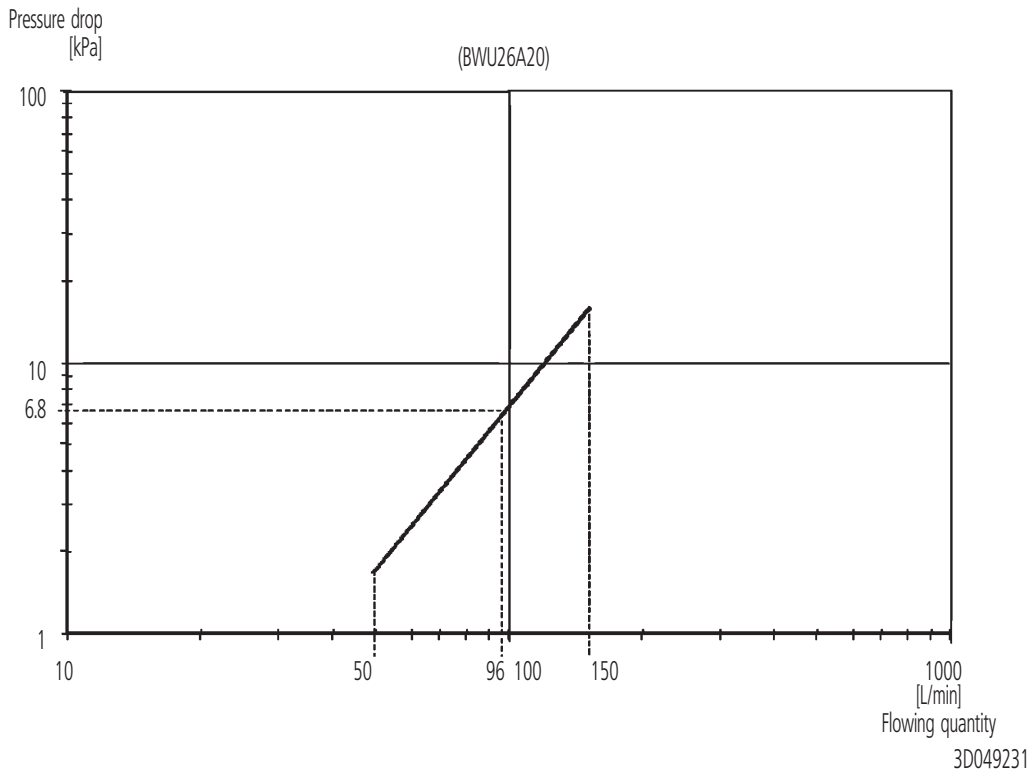
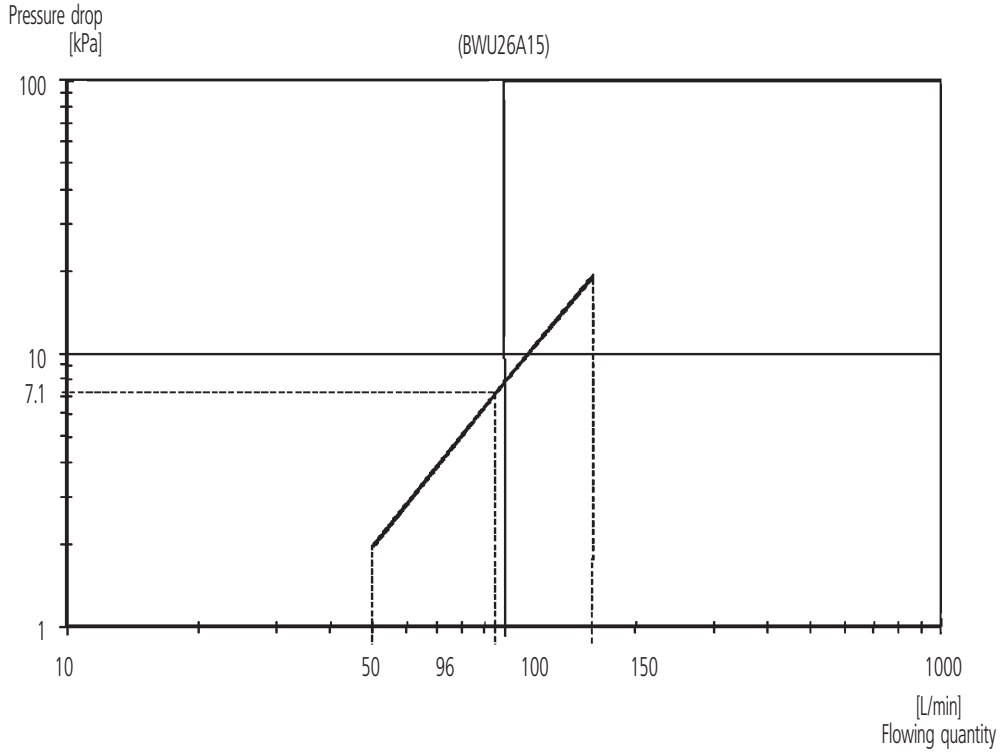
Mesh size: 50 mesh



### 3 Options

#### 3 - 2 Water piping strainer (BWU26A15/BWU26A20)

##### 3 - 2 - 3 Flowing quantity characteristic



## 4 Capacity tables

### 4 - 1 Water flow head loss

**RWEYQ-P**

**Water Flow Head loss**

Water volume	L/min	50	60	96	120	140
Head loss	kPa	11.3	19.0	26.5	39.6	52.5
	mH <sub>2</sub> O	1.2	1.9	2.7	4.1	5.3

\* This value shows the amount of head loss per one unit.

CA08A496A

1

4

# 4 Capacity tables

## 4 - 2 Cooling capacity tables

### RWEYQ8PY1

TC: Total Capacity: kW ; PI: Power Input: kW (compressor + outdoor fan motor) ; OWT: Outlet Water Temperatur: °C

Combination (%)	Inlet Water Temp. (°C)	Water Volume L/min	Indoor air temperature: °CDB																							
			14.0			16.0			18.0			19.0			20.0			22.0			24.0					
			TC	PI	OWT	TC	PI	OWT	TC	PI	OWT	TC	PI	OWT	TC	PI	OWT	TC	PI	OWT	TC	PI	OWT			
130	10	50	19.7	2.62	16.4	23.4	3.49	17.7	25.6	3.69	18.4	26.0	3.71	18.5	26.3	3.73	18.6	26.9	3.75	18.8	27.4	3.76	18.9			
		60	19.7	2.57	15.3	23.4	3.43	16.4	25.7	3.66	17.0	26.1	3.67	17.1	26.5	3.69	17.2	27.1	3.71	17.4	27.5	3.73	17.5			
		96	19.7	2.45	13.3	23.4	3.25	14.0	26.1	3.56	14.4	26.4	3.57	14.5	26.8	3.59	14.5	27.4	3.61	14.6	27.9	3.63	14.7			
		120	19.7	2.40	12.6	23.4	3.19	13.2	26.2	3.52	13.5	26.6	3.54	13.6	26.9	3.55	13.6	27.5	3.57	13.7	28.0	3.59	13.8			
	15	50	19.7	2.72	21.4	23.4	3.62	22.8	25.2	3.80	23.3	25.5	3.82	23.4	25.9	3.84	23.5	26.4	3.86	23.7	26.9	3.87	23.8			
		60	19.7	2.67	20.3	23.4	3.55	21.4	25.3	3.76	21.9	25.6	3.78	22.0	26.0	3.80	22.1	26.5	3.82	22.3	27.0	3.83	22.4			
		96	19.7	2.53	18.3	23.4	3.37	19.0	25.6	3.66	19.4	26.0	3.68	19.4	26.3	3.69	19.5	26.9	3.72	19.6	27.4	3.73	19.6			
		120	19.7	2.48	17.6	23.4	3.30	18.2	25.7	3.62	18.5	26.1	3.64	18.6	26.4	3.66	18.6	27.0	3.68	18.7	27.5	3.69	18.7			
	20	50	19.7	2.82	26.4	23.4	3.76	27.8	24.6	3.91	28.2	24.9	3.93	28.3	25.2	3.94	28.4	25.8	3.97	28.5	26.2	3.98	28.6			
		60	19.7	2.77	25.4	23.4	3.69	26.5	24.7	3.87	26.8	25.0	3.89	26.9	25.4	3.91	27.0	25.9	3.93	27.1	26.3	3.94	27.2			
		96	19.7	2.63	23.3	23.4	3.50	24.0	25.0	3.77	24.3	25.4	3.78	24.4	25.7	3.80	24.4	26.2	3.82	24.5	26.7	3.84	24.6			
		120	19.7	2.58	22.7	23.4	3.43	23.2	25.1	3.73	23.4	25.5	3.74	23.5	25.8	3.76	23.5	26.4	3.78	23.6	26.8	3.80	23.7			
25	50	19.7	3.33	31.6	23.1	4.30	32.8	23.8	4.35	33.1	24.2	4.37	33.2	24.5	4.38	33.3	25.0	4.41	33.4	25.3	4.42	33.5				
	60	19.7	3.27	30.5	23.2	4.26	31.6	24.0	4.31	31.8	24.3	4.33	31.8	24.6	4.34	31.9	25.1	4.36	32.0	25.4	4.38	32.1				
	96	19.7	3.10	28.4	23.4	4.13	29.1	24.3	4.19	29.2	24.6	4.21	29.3	24.9	4.22	29.3	25.4	4.25	29.4	25.8	4.26	29.5				
	120	19.7	3.04	27.7	23.4	4.05	28.3	24.4	4.14	28.4	24.7	4.16	28.4	25.0	4.18	28.5	25.5	4.20	28.6	25.9	4.22	28.6				
30	50	19.7	3.94	36.8	22.3	4.74	37.7	23.0	4.79	38.0	23.3	4.81	38.1	23.5	4.83	38.1	24.0	4.85	38.3	24.2	4.85	38.3				
	60	19.7	3.87	35.6	22.4	4.69	36.5	23.1	4.74	36.6	23.4	4.76	36.7	23.7	4.78	36.8	24.1	4.80	36.9	24.4	4.81	37.0				
	96	19.7	3.67	33.5	22.6	4.57	34.1	23.4	4.61	34.2	23.7	4.63	34.2	24.0	4.65	34.3	24.4	4.67	34.3	24.7	4.68	34.4				
	120	19.7	3.60	32.8	22.7	4.52	33.3	23.5	4.57	33.4	23.8	4.58	33.4	24.1	4.60	33.4	24.5	4.62	33.5	24.9	4.63	33.5				
35	50	19.7	4.71	42.0	21.3	5.18	42.6	21.9	5.23	42.8	22.2	5.25	42.9	22.5	5.27	42.9	22.8	5.28	43.1	23.0	5.28	43.1				
	60	19.7	4.62	40.8	21.4	5.13	41.3	22.1	5.18	41.5	22.3	5.20	41.6	22.6	5.22	41.6	22.9	5.23	41.7	23.1	5.23	41.8				
	96	19.7	4.38	38.6	21.7	4.99	39.0	22.3	5.04	39.1	22.6	5.06	39.1	22.9	5.08	39.2	23.2	5.09	39.2	23.5	5.10	39.3				
	120	19.7	4.30	37.9	21.8	4.94	38.2	22.4	4.99	38.3	22.7	5.01	38.3	23.0	5.02	38.3	23.4	5.04	38.4	23.6	5.04	38.4				
40	50	16.0	3.82	45.7	16.5	3.85	45.8	16.7	3.86	45.9	16.8	3.85	45.9	16.8	3.84	45.9	16.6	3.80	45.9	16.3	3.74	45.7				
	60	16.8	4.13	45.0	17.4	4.17	45.1	17.7	4.18	45.2	17.8	4.18	45.3	17.9	4.18	45.3	17.8	4.15	45.3	17.6	4.10	45.2				
	96	19.1	4.62	43.5	19.8	4.68	43.7	20.4	4.71	43.8	20.6	4.73	43.8	20.8	4.74	43.8	21.0	4.74	43.8	21.1	4.72	43.9				
	120	19.3	4.54	42.8	20.0	4.60	42.9	20.6	4.64	43.0	20.8	4.65	43.0	21.0	4.66	43.1	21.2	4.66	43.1	21.3	4.65	43.1				
45	50	11.2	2.41	48.9	11.1	2.38	48.9	10.6	2.31	48.7	10.3	2.26	48.6	9.83	2.21	48.5	8.73	2.07	48.1	7.32	1.90	47.6				
	60	12.3	2.66	48.6	12.3	2.64	48.6	12.1	2.60	48.5	11.8	2.56	48.4	11.5	2.52	48.4	10.7	2.41	48.1	9.56	2.27	47.8				
	96	15.3	3.50	47.8	15.7	3.52	47.9	15.9	3.52	47.9	15.9	3.51	47.9	15.9	3.49	47.9	15.6	3.44	47.8	15.1	3.37	47.8				
	120	16.8	4.02	47.5	17.3	4.06	47.6	17.7	4.07	47.6	17.8	4.07	47.6	17.8	4.07	47.6	17.8	4.04	47.6	17.5	3.99	47.6				
120	10	50	18.1	2.31	15.9	21.6	3.06	17.1	25.1	3.67	18.3	25.5	3.69	18.4	25.9	3.71	18.5	26.5	3.73	18.7	27.0	3.75	18.8			
		60	18.1	2.27	14.9	21.6	3.01	15.9	25.1	3.63	16.9	25.7	3.65	17.0	26.0	3.67	17.1	26.6	3.70	17.2	27.2	3.72	17.4			
		96	18.1	2.16	13.0	21.6	2.85	13.7	25.1	3.51	14.3	26.0	3.55	14.4	26.3	3.57	14.5	27.0	3.60	14.6	27.5	3.62	14.7			
		120	18.1	2.12	12.4	21.6	2.80	12.9	25.1	3.47	13.4	26.1	3.52	13.5	26.5	3.53	13.6	27.1	3.56	13.7	27.7	3.58	13.7			
	15	50	18.1	2.39	20.9	21.6	3.17	22.1	24.7	3.78	23.2	25.1	3.80	23.3	25.4	3.82	23.4	26.0	3.84	23.6	26.5	3.86	23.7			
		60	18.1	2.35	19.9	21.6	3.11	20.9	24.8	3.74	21.8	25.2	3.76	21.9	25.5	3.78	22.0	26.2	3.81	22.2	26.7	3.82	22.3			
		96	18.1	2.23	18.0	21.6	2.95	18.7	25.1	3.64	19.3	25.5	3.66	19.4	25.9	3.68	19.4	26.5	3.70	19.5	27.0	3.72	19.6			
		120	18.1	2.19	17.4	21.6	2.90	17.9	25.1	3.59	18.4	25.6	3.62	18.5	26.0	3.64	18.5	26.6	3.66	18.6	27.1	3.68	18.7			
	20	50	18.1	2.49	25.9	21.6	3.30	27.1	24.1	3.89	28.0	24.5	3.91	28.1	24.8	3.93	28.2	25.4	3.95	28.4	25.9	3.97	28.6			
		60	18.1	2.44	24.9	21.6	3.23	25.9	24.3	3.85	26.7	24.6	3.87	26.8	24.9	3.89	26.9	25.5	3.91	27.0	26.0	3.93	27.1			
		96	18.1	2.32	23.1	21.6	3.07	23.7	24.6	3.75	24.2	24.9	3.76	24.3	25.3	3.78	24.3	25.9	3.81	24.4	26.3	3.83	24.5			
		120	18.1	2.28	22.4	21.6	3.01	22.9	24.7	3.71	23.4	25.0	3.72	23.4	25.4	3.74	23.5	26.0	3.77	23.6	26.5	3.79	23.6			
25	50	18.1	2.93	31.0	21.6	3.89	32.3	23.4	4.33	33.0	23.8	4.35	33.1	24.1	4.36	33.2	24.6	4.39	33.3	25.0	4.41	33.4				
	60	18.1	2.87	30.0	21.6	3.82	31.1	23.5	4.28	31.6	23.9	4.30	31.7	24.2	4.32	31.8	24.7	4.35	32.0	25.2	4.37	32.1				
	96	18.1	2.73	28.1	21.6	3.62	28.8	23.8	4.17	29.2	24.2	4.19	29.2	24.5	4.20	29.3	25.1	4.23	29.4	25.5	4.25	29.4				
	120	18.1	2.68	27.5	21.6	3.55	28.0	23.9	4.12	28.4	24.3	4.14	28.4	24.6	4.16	28.4	25.2	4.19	28.5	25.6	4.21	28.6				
30	50	18.1	3.47	36.2	21.6	4.62	37.5	22.6	4.76	37.8	22.9	4.79	37.9	23.2	4.80	38.0	23.7	4.83	38.2	24.0	4.85	38.3				
	60	18.1	3.40	35.1	21.6	4.53	36.3	22.7	4.72	36.5	23.0	4.74	36.6	23.3	4.76	36.7	23.8	4.79	36.8	24.2	4.80	36.9				
	96	18.1	3.23	33.2	21.6	4.30	33.9	23.0	4.59	34.1	23.3	4.61	34.2	23.6	4.63	34.2	24.1	4.66	34.3	24.5	4.67	34.4				
	120	18.1	3.17	32.5	21.6	4.21	33.1	23.1	4.54	33.3	23.4	4.56	33.3	23.7	4.58	33.4	24.2	4.61	33.4	24.6	4.63	33.5				
35	50	18.1	4.13	41.4	20.9	5.15	42.5	21.6	5.21	42.7	21.9	5.23	42.8	22.2	5.25	42.9	22.6	5.27	43.0	22.9	5.28	43.1				
	60	18.1	4.06	40.3	21.0	5.10	41.2	21.7	5.16	41.4	22.0	5.18	41.5	22.3	5.20	41.6	22.7	5.22	41.7	23.0	5.23	43.1				
	96	18.1	3.85	38.3	21.3	4.96	38.9	22.0	5.02	39.0	22.3	5.04	39.1	22.6	5.06	39.1	23.0	5.08	39.2	23.3	5.10	39.2				
	120	18.1	3.77	37.6	21.4	4.91	38.1	22.1	4.96	38.2	22.4	4.98	38.3	22.7	5.00	38.3	23.1	5.03	38.4	23.4	5.04	38.4				
40	50	15.7	3.80	45.6	16.2	3.84	45.8	16.6	3.86	45.9	16.7	3.86	45.9	16.8	3.85	45.9										

# 4 Capacity tables

## 4 - 2 Cooling capacity tables

### RWEYQ8PY1

TC: Total Capacity: kW ; PI: Power Input: kW (compressor + outdoor fan motor) ; OWT: Outlet Water Temperatur: °C

Combination (%)	Inlet Water Temp. (°C)	Water Volume l/min	Indoor air temperature: °CDB																							
			14.0			16.0			18.0			19.0			20.0			22.0			24.0					
			TC	PI	OWT	TC	PI	OWT	TC	PI	OWT	TC	PI	OWT	TC	PI	OWT	TC	PI	OWT	TC	PI	OWT			
100	10	50	15.1	1.75	14.8	18.0	2.29	15.8	20.9	2.91	16.8	22.4	3.24	17.4	23.9	3.60	17.9	25.5	3.69	18.4	26.1	3.72	18.5			
		60	15.1	1.72	14.0	18.0	2.25	14.8	20.9	2.85	15.7	22.4	3.18	16.1	23.9	3.53	16.5	25.6	3.65	17.0	26.2	3.68	17.1			
		96	15.1	1.64	12.5	18.0	2.14	13.0	20.9	2.71	13.5	22.4	3.02	13.8	23.9	3.35	14.1	26.0	3.55	14.4	26.5	3.58	14.5			
	15	50	15.1	1.81	19.9	18.0	2.37	20.8	20.9	3.01	21.9	22.4	3.36	22.4	23.9	3.72	22.9	25.1	3.80	23.3	25.6	3.83	23.4			
		60	15.1	1.78	19.0	18.0	2.33	19.9	20.9	2.95	20.7	22.4	3.29	21.1	23.9	3.65	21.6	25.2	3.76	21.9	25.7	3.79	22.1			
		96	15.1	1.69	17.5	18.0	2.21	18.0	20.9	2.80	18.5	22.4	3.12	18.8	23.9	3.47	19.1	25.5	3.66	19.4	26.1	3.68	19.4			
	20	50	15.1	1.66	17.0	18.0	2.17	17.4	20.9	2.75	17.8	22.4	3.06	18.0	23.9	3.40	18.3	25.6	3.62	18.5	26.2	3.65	18.6			
		60	15.1	1.88	24.9	18.0	2.46	25.9	20.9	3.13	26.9	22.4	3.49	27.4	23.9	3.87	28.0	24.5	3.91	28.1	25.0	3.93	28.3			
		96	15.1	1.85	24.1	18.0	2.42	24.9	20.9	3.07	25.7	22.4	3.42	26.2	23.9	3.80	26.6	24.6	3.87	26.8	25.1	3.90	26.9			
	25	50	15.1	1.76	22.5	18.0	2.30	23.0	20.9	2.91	23.6	22.4	3.25	23.8	23.9	3.60	24.1	24.9	3.76	24.3	25.5	3.79	24.4			
		60	15.1	1.73	22.0	18.0	2.25	22.4	20.9	2.86	22.8	22.4	3.18	23.1	23.9	3.53	23.3	25.0	3.72	23.4	25.6	3.75	23.5			
		96	15.1	2.02	27.0	18.0	2.70	28.1	20.9	3.44	28.6	22.4	3.84	28.9	23.6	4.15	29.1	24.2	4.18	29.2	24.7	4.21	29.3			
30	50	15.1	2.21	30.0	18.0	2.90	31.0	20.9	3.69	32.1	22.4	4.12	32.6	23.2	4.31	32.9	23.8	4.34	33.1	24.3	4.37	33.2				
	60	15.1	2.17	29.1	18.0	2.85	30.0	20.9	3.62	30.9	22.4	4.04	31.3	23.3	4.27	31.6	23.9	4.30	31.7	24.4	4.33	31.9				
	96	15.1	2.06	27.6	18.0	2.70	28.1	20.9	3.44	28.6	22.4	3.84	28.9	23.6	4.15	29.1	24.2	4.18	29.2	24.7	4.21	29.3				
35	50	15.1	2.02	27.0	18.0	2.65	27.5	20.9	3.37	27.9	22.4	3.76	28.1	23.7	4.11	28.3	24.3	4.14	28.4	24.8	4.17	28.5				
	60	15.1	2.61	35.1	18.0	3.43	36.2	20.9	4.38	37.3	22.0	4.73	37.7	22.3	4.75	37.8	22.9	4.79	37.9	23.4	4.81	38.1				
	96	15.1	2.56	34.2	18.0	3.37	35.1	20.9	4.29	36.0	22.4	4.68	36.4	22.4	4.70	36.5	23.0	4.74	36.6	23.5	4.77	36.7				
40	50	15.1	2.43	32.6	18.0	3.20	33.2	20.9	4.07	33.7	22.4	4.55	34.0	22.7	4.57	34.1	23.3	4.61	34.2	23.8	4.64	34.2				
	60	15.1	2.39	32.1	18.0	3.14	32.5	20.9	3.99	33.0	22.4	4.46	33.2	22.8	4.52	33.3	23.4	4.56	33.3	23.9	4.59	33.4				
	96	15.1	3.10	40.2	18.0	4.09	41.3	20.8	5.14	42.4	21.1	5.17	42.5	21.4	5.19	42.6	21.9	5.23	42.8	22.3	5.26	42.9				
45	50	15.1	3.04	39.3	18.0	4.02	40.3	20.9	5.09	41.2	21.2	5.12	41.3	21.5	5.14	41.4	22.0	5.18	41.5	22.4	5.21	41.6				
	60	15.1	2.89	37.7	18.0	3.81	38.3	20.9	4.87	38.9	21.4	4.98	38.9	21.7	5.00	39.0	22.3	5.04	39.1	22.7	5.07	39.1				
	96	15.1	2.83	37.1	18.0	3.74	37.6	20.9	4.77	38.1	21.5	4.92	38.2	21.8	4.95	38.2	22.4	4.98	38.3	22.8	5.01	38.3				
50	50	15.1	3.75	45.4	15.7	3.80	45.6	16.2	3.83	45.7	16.3	3.84	45.8	16.5	3.85	45.8	16.7	3.86	45.9	16.8	3.85	45.9				
	60	15.1	3.67	44.5	16.5	4.10	44.9	17.0	4.14	45.1	17.2	4.16	45.1	17.4	4.17	45.2	17.7	4.18	45.2	17.9	4.18	45.3				
	96	15.1	3.19	42.7	18.0	4.24	43.3	19.4	4.64	43.6	19.7	4.66	43.6	19.9	4.68	43.7	20.3	4.71	43.7	20.7	4.73	43.8				
55	50	15.1	3.09	42.2	18.0	4.10	42.6	19.5	4.56	42.9	19.8	4.58	42.9	20.1	4.60	42.9	20.5	4.63	43.0	20.9	4.65	43.0				
	60	10.9	2.41	48.8	11.1	2.42	48.9	11.2	2.40	48.9	11.1	2.39	48.9	11.0	2.37	48.8	10.7	2.32	48.7	10.1	2.25	48.6				
	96	14.5	3.44	47.7	15.0	3.48	47.8	15.5	3.51	47.8	15.6	3.51	47.9	15.7	3.52	47.9	15.9	3.52	47.9	15.9	3.50	47.9				
60	50	14.5	3.59	47.2	16.5	3.99	47.4	17.0	4.03	47.5	17.2	4.05	47.5	17.4	4.06	47.6	17.6	4.07	47.6	17.8	4.07	47.6				
	60	13.6	1.50	14.3	16.2	1.95	15.2	18.9	2.46	16.1	20.2	2.73	16.6	21.5	3.03	17.0	24.1	3.61	17.9	25.5	3.69	18.4				
	96	13.6	1.47	13.6	16.2	1.91	14.3	18.9	2.41	15.1	20.2	2.68	15.5	21.5	2.97	15.8	24.1	3.57	16.6	25.6	3.65	17.0				
65	50	13.6	1.40	12.2	16.2	1.82	12.7	18.9	2.29	13.2	20.2	2.55	13.4	21.5	2.82	13.6	24.1	3.40	14.1	25.1	3.55	14.4				
	60	13.6	1.38	11.8	16.2	1.78	12.2	18.9	2.25	12.5	20.2	2.50	12.7	21.5	2.76	12.9	24.1	3.33	13.3	26.1	3.52	13.5				
	96	13.6	1.43	16.8	16.2	1.85	17.2	18.9	2.32	17.5	20.2	2.58	17.7	21.5	2.86	17.9	24.1	3.45	18.3	25.6	3.62	18.5				
70	50	13.6	1.61	24.4	16.2	2.09	25.3	18.9	2.64	26.2	20.2	2.94	26.6	21.5	3.26	27.1	23.9	3.88	28.0	24.5	3.91	28.1				
	60	13.6	1.58	23.6	16.2	2.06	24.4	18.9	2.59	25.1	20.2	2.89	25.5	21.5	3.19	25.9	24.0	3.84	26.7	24.6	3.87	26.8				
	96	13.6	1.51	22.3	16.2	1.95	22.7	18.9	2.46	23.2	20.2	2.74	23.4	21.5	3.03	23.7	24.1	3.66	24.1	24.9	3.76	24.3				
75	50	13.6	1.48	21.8	16.2	1.92	22.2	18.9	2.42	22.5	20.2	2.69	22.7	21.5	2.97	22.9	24.1	3.59	23.3	25.0	3.72	23.4				
	60	13.6	1.89	29.4	16.2	2.46	30.4	18.9	3.11	31.3	20.2	3.47	31.8	21.5	3.84	32.3	23.2	4.31	32.9	23.7	4.34	33.1				
	96	13.6	1.86	28.7	16.2	2.42	29.5	18.9	3.05	30.2	20.2	3.40	30.6	21.5	3.77	31.0	23.3	4.27	31.6	23.9	4.30	31.7				
80	50	13.6	1.77	27.3	16.2	2.30	27.8	18.9	2.90	28.2	20.2	3.23	28.5	21.5	3.58	28.7	23.6	4.15	29.1	24.2	4.18	29.2				
	60	13.6	1.73	26.8	16.2	2.25	27.2	18.9	2.84	27.6	20.2	3.17	27.8	21.5	3.51	28.0	23.7	4.11	28.3	24.3	4.14	28.4				
	96	13.6	2.22	34.5	16.2	2.91	35.5	18.9	3.68	36.5	20.2	4.11	37.0	21.5	4.56	37.5	22.4	4.75	37.8	22.9	4.78	37.9				
85	50	13.6	2.18	33.8	16.2	2.85	34.6	18.9	3.61	35.4	20.2	4.03	35.8	21.5	4.47	36.2	22.5	4.70	36.5	23.0	4.74	36.6				
	60	13.6	2.08	32.3	16.2	2.71	32.8	18.9	3.43	33.3	20.2	3.83	33.6	21.5	4.24	33.8	22.8	4.57	34.1	23.3	4.61	34.2				
	96	13.6	2.04	31.9	16.2	2.66	32.3	18.9	3.37	32.7	20.2	3.75	32.9	21.5	4.16	33.1	22.9	4.53	33.3	23.4	4.56	33.3				
90	50	13.6	2.64	39.7	16.2	3.46	40.6	18.9	4.40	41.7	20.2	4.91	42.2	20.9	5.15	42.5	21.4	5.19	42.6	21.9	5.23	42.8				
	60	13.6	2.59	38.9	16.2	3.39	39.7	18.9	4.32	40.5	20.2	4.82	41.0	21.0	5.10	41.2	21.5	5.14	41.4	22.0	5.18	41.5				
	96	13.6	2.46	37.4	16.2	3.22	37.9	18.9	4.10	38.4	20.2	4.57	38.7	21.2	4.96	38.9	21.8	5.00	39.0	22.3	5.04	39.1				
95	50	13.6	2.41	36.9	16.2	3.16	37.3	18.9	4.02	37.7	20.2	4.48	37.9	21.3	4.91	38.1	21.9	4.95	38.2	22.4	4.98	38.3				
	60	13.6	3.16	44.8	15.3	3.77	45.5	15.8	3.81	45.6	16.0	3.83	45.7	16.2	3.84	45.8	16.5	3.85	45.8	16.7	3.86	45.9				
	96	13.6	3.09	44.0	16.1	4.07	44.8	16.7	4.11	45.0	16.9	4.13	45.0	17.1	4.15	45.1	17.4	4.17	45.2	17.7	4.18	45.2				
100	50	13.6	2.71	42.4	16.2	3.57	43.0	18.9	4.57	43.5	19.2	4.63	43.6	19.5	4.65	43.6	19.9	4.68	43.7	20.3	4.71	43.7				
	60	13.6	2.62	41.9	16.2	3.46	42.4	18.9	4.41	42.8	19.4	4.55	42.9	19.6	4.57	42.9	20.1	4.61	43.0	20.5	4.63	43.0				
	96	13.6	2.41	36.9	16.2	3.16	37.3	18.9	4.02	37.7	20.2	4.48	37.9	21.3												

# 4 Capacity tables

## 4 - 2 Cooling capacity tables

RWEYQ8PY1		TC: Total Capacity: kW ; PI: Power Input: kW (compressor + outdoor fan motor) ; OWT: Outlet Water Temperatur: °C																																																																																					
Combination (%)	Inlet Water Temp. (°C)	Water Volume L/min	Indoor air temperature: °CDB																																																																																				
			14.0			16.0			18.0			19.0			21.0			22.0			24.0																																																																		
			TC	PI	OWT	TC	PI	OWT	TC	PI	OWT	TC	PI	OWT	TC	PI	OWT	TC	PI	OWT	TC	PI	OWT																																																																
70	10	50	10.6	1.06	13.3	12.6	1.35	14.0	14.7	1.67	14.7	15.7	1.85	15.0	16.7	2.04	15.4	18.7	2.43	16.1	20.8	2.87	16.8	10.6	1.04	12.8	12.6	1.33	13.3	14.7	1.64	13.9	15.7	1.82	14.2	16.7	2.00	14.5	18.7	2.39	15.0	20.8	2.81	15.6	10.6	1.00	11.7	12.6	1.26	12.1	14.7	1.56	12.4	15.7	1.73	12.6	16.7	1.90	12.8	18.7	2.27	13.1	20.8	2.67	13.5	10.6	0.98	11.4	12.6	1.24	11.7	14.7	1.53	11.9	15.7	1.69	12.1	16.7	1.86	12.2	18.7	2.22	12.5	20.8	2.62	12.8	
		60	10.6	1.10	18.3	12.6	1.40	19.0	14.7	1.73	19.7	15.7	1.91	20.0	16.7	2.11	20.4	18.7	2.52	21.1	20.8	2.97	21.8	10.6	1.08	17.8	12.6	1.37	18.3	14.7	1.70	18.9	15.7	1.88	19.2	16.7	2.07	19.5	18.7	2.47	20.1	20.8	2.91	20.7	10.6	1.03	16.7	12.6	1.31	17.1	14.7	1.62	17.4	15.7	1.79	17.6	16.7	1.97	17.8	18.7	2.35	18.1	20.8	2.77	18.5	10.6	1.01	16.4	12.6	1.28	16.7	14.7	1.59	16.9	15.7	1.75	17.1	16.7	1.93	17.2	18.7	2.30	17.5	20.8	2.71	17.8	
		15	10.6	1.14	23.4	12.6	1.45	24.0	14.7	1.80	24.7	15.7	1.99	25.1	16.7	2.19	25.4	18.7	2.62	26.1	20.8	3.09	26.8	10.6	1.12	22.8	12.6	1.42	23.4	14.7	1.77	23.9	15.7	1.95	24.2	16.7	2.15	24.5	18.7	2.57	25.2	20.8	3.03	25.7	10.6	1.07	21.7	12.6	1.36	22.1	14.7	1.68	22.4	15.7	1.86	22.6	16.7	2.04	22.8	18.7	2.44	23.2	20.8	2.88	23.5	10.6	1.05	21.4	12.6	1.33	21.7	14.7	1.65	21.9	15.7	1.82	22.1	16.7	2.00	22.2	18.7	2.39	22.5	20.8	2.82	22.8	
		20	10.6	1.33	28.4	12.6	1.70	29.1	14.7	2.11	29.8	15.7	2.34	30.2	16.7	2.57	30.5	18.7	3.08	31.3	20.8	3.64	32.0	10.6	1.31	27.8	12.6	1.67	28.4	14.7	2.07	29.0	15.7	2.29	29.3	16.7	2.53	29.6	18.7	3.03	30.2	20.8	3.57	30.8	10.6	1.25	26.8	12.6	1.59	27.1	14.7	1.97	27.5	15.7	2.18	27.7	16.7	2.40	27.9	18.7	2.87	28.2	20.8	3.39	28.6	10.6	1.22	26.4	12.6	1.56	26.7	14.7	1.93	27.0	15.7	2.14	27.1	16.7	2.35	27.3	18.7	2.82	27.6	20.8	3.33	27.9	
	25	10.6	1.55	33.5	12.6	1.99	34.2	14.7	2.49	34.9	15.7	2.76	35.3	16.7	3.04	35.7	18.7	3.65	36.4	20.8	4.32	37.2	10.6	1.53	32.9	12.6	1.96	33.5	14.7	2.44	34.1	15.7	2.70	34.4	16.7	2.98	34.7	18.7	3.58	35.3	20.8	4.24	36.0	10.6	1.46	31.8	12.6	1.86	32.2	14.7	2.32	32.5	15.7	2.57	32.7	16.7	2.83	32.9	18.7	3.40	33.3	20.8	4.02	33.7	10.6	1.43	31.4	12.6	1.83	31.7	14.7	2.28	32.0	15.7	2.52	32.2	16.7	2.78	32.3	18.7	3.33	32.6	20.8	3.94	33.0		
	30	10.6	1.83	38.6	12.6	2.36	39.3	14.7	2.95	40.1	15.7	3.28	40.4	16.7	3.62	40.8	18.7	4.36	41.6	20.7	5.14	42.4	10.6	1.80	38.0	12.6	2.31	38.6	14.7	2.90	39.2	15.7	3.22	39.5	16.7	3.55	39.8	18.7	4.27	40.5	20.8	5.07	41.2	10.6	1.71	36.8	12.6	2.20	37.2	14.7	2.75	37.6	15.7	3.06	37.8	16.7	3.37	38.0	18.7	4.06	38.4	20.8	4.81	38.8	10.6	1.68	36.5	12.6	2.16	36.8	14.7	2.70	37.1	15.7	3.00	37.2	16.7	3.31	37.4	18.7	3.98	37.7	20.8	4.71	38.0		
	35	10.6	2.12	43.6	12.6	2.80	44.4	14.7	3.57	45.2	15.7	3.76	45.4	16.7	4.08	45.5	18.7	4.81	46.3	20.8	5.61	47.0	10.6	2.09	43.0	12.6	2.74	43.7	14.7	3.49	44.3	15.7	3.90	44.7	16.7	4.08	44.9	18.7	4.11	45.0	20.8	5.44	45.0	10.6	1.86	41.9	12.6	2.41	42.2	14.7	3.04	42.6	15.7	3.38	42.8	16.7	3.74	43.1	18.7	4.52	43.5	19.3	4.64	43.6	10.6	1.80	41.5	12.6	2.34	41.8	14.7	2.94	42.1	15.7	3.27	42.3	16.7	3.62	42.4	18.7	4.37	42.8	19.5	4.56	42.9		
	40	10.6	2.36	48.6	10.6	2.39	48.7	10.9	2.41	48.8	11.0	2.41	48.8	11.1	2.42	48.9	11.2	2.42	48.9	11.2	2.42	48.9	10.6	2.40	48.1	11.4	2.61	48.3	11.8	2.64	48.4	11.9	2.65	48.5	12.0	2.65	48.5	12.2	2.66	48.6	12.3	2.66	48.6	10.6	2.11	46.9	12.6	2.79	47.3	14.4	3.43	47.7	14.6	3.45	47.7	14.8	3.46	47.7	15.2	3.49	47.8	15.4	3.50	47.8	10.6	2.05	46.5	12.6	2.69	46.8	14.7	3.42	47.2	15.7	3.81	47.3	16.2	3.97	47.4	16.6	4.00	47.5	16.9	4.03	47.5		
	45	10.6	2.61	53.6	10.6	2.61	53.6	10.6	2.61	53.6	10.6	2.61	53.6	10.6	2.61	53.6	10.6	2.61	53.6	10.6	2.61	53.6	10.6	2.58	53.1	11.0	2.81	53.3	11.4	2.84	53.4	11.8	2.87	53.5	12.2	2.89	53.6	12.6	2.91	53.7	13.0	2.93	53.8	10.6	2.29	51.9	12.6	2.97	51.3	14.4	3.54	51.7	14.6	3.56	51.7	14.8	3.57	51.7	15.2	3.58	51.8	15.4	3.59	51.8	10.6	2.23	51.5	12.6	2.91	51.1	14.7	3.47	51.6	15.7	3.80	51.7	16.2	3.94	51.8	16.6	4.00	51.9	16.9	4.03	51.9		
	60	10	50	9.07	0.87	12.9	10.8	1.09	13.4	12.6	1.34	14.0	13.4	1.48	14.3	14.3	1.62	14.6	16.1	1.92	15.2	17.8	2.25	15.8	9.07	0.86	12.4	10.8	1.07	12.8	12.6	1.32	13.3	13.4	1.45	13.6	14.3	1.59	13.8	16.1	1.88	14.3	17.8	2.21	14.8	9.07	0.82	11.5	10.8	1.02	11.8	12.6	1.25	12.1	13.4	1.38	12.2	14.3	1.51	12.4	16.1	1.79	12.7	17.8	2.10	13.0	9.07	0.81	11.2	10.8	1.01	11.4	12.6	1.23	11.6	13.4	1.35	11.8	14.3	1.48	11.9	16.1	1.76	12.1	17.8	2.06	12.4
			60	9.07	0.90	17.9	10.8	1.13	18.4	12.6	1.39	19.0	13.4	1.53	19.3	14.3	1.67	19.6	16.1	1.99	20.2	17.8	2.33	20.8	9.07	0.89	17.4	10.8	1.11	17.9	12.6	1.36	18.3	13.4	1.50	18.6	14.3	1.64	18.8	16.1	1.95	19.3	17.8	2.28	19.8	9.07	0.85	16.5	10.8	1.06	16.8	12.6	1.30	17.1	13.4	1.43	17.2	14.3	1.56	17.4	16.1	1.85	17.7	17.8	2.17	18.0	9.07	0.83	16.2	10.8	1.04	16.4	12.6	1.27	16.7	13.4	1.40	16.8	14.3	1.53	16.9	16.1	1.82	17.1	17.8	2.13	17.4
			15	9.07	0.94	22.9	10.8	1.17	23.4	12.6	1.44	24.0	13.4	1.58	24.3	14.3	1.74	24.6	16.1	2.06	25.2	17.8	2.42	25.8	9.07	0.92	22.4	10.8	1.15	22.9	12.6	1.41	23.3	13.4	1.56	23.6	14.3	1.70	23.8	16.1	2.02	24.3	17.8	2.37	24.8	9.07	0.88	21.5	10.8	1.10	21.8	12.6	1.35	22.1	13.4	1.48	22.2	14.3	1.62	22.4	16.1	1.92	22.7	17.8	2.25	23.0	9.07	0.86	21.2	10.8	1.08	21.4	12.6	1.32	21.7	13.4	1.45	21.8	14.3	1.59	21.9	16.1	1.89	22.1	17.8	2.21	22.4
			20	9.07	1.09	27.9	10.8	1.37	28.5	12.6	1.69	29.1	13.4	1.86	29.4	14.3	2.04	29.7	16.1	2.42	30.3	17.8	2.85	30.9	9.07	1.07	27.4	10.8	1.35	27.9	12.6	1.66	28.4	13.4	1.82	28.6	14.3	2.00	28.9	16.1	2.38	29.4	17.8	2.79	29.9	9.07	1.02	26.5	10.8	1.28	26.8	12.6	1.58	27.1	13.4	1.74	27.3	14.3	1.90	27.4	16.1	2.26	27.7	17.8	2.65	28.1	9.07	1.00	26.2	10.8	1.26	26.4	12.6	1.55	26.7	13.4	1.70	26.8	14.3	1.87	26.9	16.1	2.22	27.2	17.8	2.60	27.4
		25	9.07	1.27	33.0	10.8	1.60	33.6	12.6	1.98	34.2	13.4	2.18	34.5	14.3	2.40	34.8	16.1	2.86	35.4	17.8	3.36	36.1	9.07	1.25	32.5	10.8	1.57	33.0	12.6	1.94	33.5	13.4	2.14	33.7	14.3	2.35	34.0	16.1	2.81	34.5	17.8	3.30	35.0	9.07	1.19	31.5	10.8	1.50	31.8	12.6	1.85	32.2	13.4	2.04	32.3	14.3	2.24	32.5	16.1	2.67	32.8	17.8	3.14	33.1	9.07	1.17	31.2	10.8	1.47	31.5	12.6	1.82	31.7	13.4	2.00	31.8	14.3	2.20	32.0	16.1	2.62	32.7	17.8	3.07	32.5	
		30	9.07	1.49	38.0	10.8	1.89	38.6	12.6	2.34	39.3	13.4	2.59	39.6	14.3	2.85	39.9	16.1	3.40	40.6	17.8	4.01	41.3	9.07	1.46	37.5	10.8	1.85	38.0	12.6	2.30	38.6	13.4	2.54	38.8	14.3	2.79	39.1	16.1	3.34	39.6	17.8	3.94	40.2	9.07	1.39	36.6	10.8	1.77	36.9	12.6	2.19	37.2	13.4	2.42	37.4	14.3	2.66	37.5	16.1	3.17	37.9	17.8	3.74	38.2	9.07	1.37	36.2	10.8	1.73	36.5	12.6	2.15	36.8	13.4	2.37	36.9	14.3	2.61	37.0	16.1	3.11	37.3	17.8	3.66	37.6	
		35	9.07	1.69	43.1	10.8	2.20	43.7	12.6	2.78	44.4	13.4	3.10	44.7	14.3	3.44	45.1	15.3	3.77																																																																				

# 4 Capacity tables

## 4 - 2 Cooling capacity tables

### RWEYQ10PY1

TC: Total Capacity: kW ; PI: Power Input: kW (compressor + outdoor fan motor) ; OWT: Outlet Water Temperatur: °C

Combination (%)	Inlet Water Temp. (°C)	Water Volume L/min	Indoor air temperature: °CDB																							
			14.0			16.0			18.0			19.0			20.0			22.0			24.0					
			TC	PI	OWT	TC	PI	OWT	TC	PI	OWT	TC	PI	OWT	TC	PI	OWT	TC	PI	OWT	TC	PI	OWT			
130	10	50	23.4	3.48	17.7	27.9	4.63	19.3	30.5	4.90	20.2	31.0	4.92	20.3	31.4	4.94	20.4	32.1	4.97	20.6	32.6	4.99	20.8			
		60	23.4	3.41	16.4	27.9	4.54	17.8	30.7	4.85	18.5	31.1	4.87	18.6	31.5	4.89	18.7	32.2	4.92	18.9	32.8	4.94	19.0			
		96	23.4	3.24	14.0	27.9	4.31	14.8	31.1	4.72	15.3	31.5	4.74	15.4	31.9	4.76	15.5	32.7	4.79	15.6	33.3	4.81	15.7			
		120	23.4	3.18	13.2	27.9	4.22	13.8	31.2	4.67	14.3	31.7	4.69	14.3	32.1	4.71	14.4	32.8	4.74	14.5	33.4	4.76	14.6			
	15	50	23.4	3.60	22.7	27.9	4.79	24.4	30.0	5.04	25.0	30.4	5.06	25.2	30.8	5.08	25.3	31.5	5.11	25.5	32.0	5.13	25.6			
		60	23.4	3.53	21.4	27.9	4.70	22.8	30.1	4.99	23.4	30.6	5.01	23.5	31.0	5.03	23.6	31.6	5.06	23.8	32.2	5.08	23.9			
		96	23.4	3.35	19.0	27.9	4.46	19.8	30.5	4.85	20.3	30.9	4.88	20.3	31.4	4.90	20.4	32.1	4.93	20.5	32.6	4.95	20.6			
		120	23.4	3.29	18.2	27.9	4.37	18.9	30.6	4.80	19.2	31.1	4.82	19.3	31.5	4.84	19.3	32.2	4.88	19.4	32.8	4.90	19.5			
	20	50	23.4	3.74	27.8	27.9	4.98	29.4	29.3	5.18	29.9	29.7	5.21	30.0	30.1	5.23	30.1	30.7	5.26	30.3	31.2	5.28	30.5			
		60	23.4	3.67	26.5	27.9	4.89	27.8	29.4	5.13	28.3	29.8	5.16	28.4	30.2	5.18	28.5	30.9	5.21	28.6	31.3	5.23	28.7			
		96	23.4	3.49	24.0	27.9	4.64	24.9	29.8	4.99	25.2	30.2	5.02	25.3	30.6	5.04	25.3	31.3	5.07	25.4	31.8	5.09	25.5			
		120	23.4	3.42	23.2	27.9	4.55	23.9	29.9	4.94	24.2	30.4	4.96	24.2	30.8	4.98	24.3	31.4	5.01	24.4	31.9	5.03	24.4			
25	50	23.4	4.41	33.0	27.5	5.70	34.5	28.4	5.76	34.8	28.8	5.79	34.9	29.2	5.81	35.0	29.7	5.84	35.2	30.1	5.86	35.3				
	60	23.4	4.33	31.6	27.6	5.65	33.0	28.6	5.71	33.2	28.9	5.73	33.3	29.3	5.75	33.4	29.9	5.78	33.5	30.3	5.80	33.6				
	96	23.4	4.11	29.1	27.9	5.48	30.0	28.9	5.55	30.1	29.3	5.58	30.2	29.7	5.60	30.3	30.3	5.63	30.4	30.7	5.65	30.4				
	120	23.4	4.03	28.3	27.9	5.37	29.0	29.0	5.49	29.1	29.5	5.52	29.2	29.8	5.54	29.2	30.4	5.57	29.3	30.9	5.59	29.4				
30	50	23.4	5.23	38.2	26.5	6.28	39.4	27.4	6.35	39.7	27.7	6.37	39.8	28.1	6.39	39.9	28.6	6.42	40.0	28.9	6.43	40.1				
	60	23.4	5.13	36.8	26.6	6.22	37.9	27.5	6.29	38.1	27.9	6.31	38.2	28.2	6.33	38.3	28.7	6.36	38.4	29.1	6.37	38.5				
	96	23.4	4.87	34.2	27.0	6.05	34.9	27.9	6.11	35.1	28.2	6.14	35.1	28.6	6.16	35.2	29.1	6.19	35.2	29.5	6.20	35.3				
	120	23.4	4.77	33.4	27.1	5.99	34.0	28.0	6.05	34.1	28.4	6.08	34.1	28.7	6.10	34.2	29.3	6.13	34.2	29.6	6.14	34.3				
35	50	23.4	6.24	43.5	25.4	6.87	44.2	26.2	6.94	44.5	26.6	6.96	44.6	26.8	6.98	44.7	27.2	7.00	44.8	27.4	7.00	44.9				
	60	23.4	6.12	42.1	25.5	6.80	42.7	26.3	6.87	42.9	26.6	6.89	43.0	26.9	6.91	43.1	27.3	6.93	43.2	27.6	6.93	43.2				
	96	23.4	5.81	39.4	25.8	6.62	39.8	26.6	6.68	40.0	27.0	6.71	40.0	27.3	6.73	40.1	27.7	6.75	40.1	28.0	6.75	40.2				
	120	23.4	5.70	38.5	25.9	6.55	38.9	26.7	6.61	39.0	27.1	6.64	39.0	27.4	6.66	39.1	27.9	6.68	39.1	28.1	6.68	39.2				
40	50	19.0	5.06	46.9	19.6	5.10	47.1	19.9	5.11	47.2	20.0	5.11	47.2	20.0	5.11	47.2	19.8	5.04	47.1	19.4	4.95	47.1				
	60	20.0	5.47	46.1	20.7	5.52	46.3	21.1	5.54	46.4	21.3	5.54	46.4	21.3	5.54	46.4	21.3	5.50	46.4	21.0	5.43	46.3				
	96	22.8	6.12	44.3	23.6	6.20	44.5	24.3	6.25	44.6	24.6	6.26	44.6	24.8	6.27	44.6	25.1	6.28	44.7	25.1	6.25	44.7				
	120	23.0	6.02	43.5	23.9	6.09	43.6	24.5	6.15	43.7	24.8	6.16	43.7	25.0	6.17	43.7	25.3	6.18	43.8	25.4	6.16	43.8				
45	50	13.3	3.20	49.7	13.2	3.15	49.7	12.6	3.06	49.5	12.2	3.00	49.4	11.7	2.92	49.2	10.4	2.75	48.8	8.72	48.2	48.2				
	60	14.6	3.53	49.3	14.7	3.51	49.3	14.4	3.44	49.3	14.1	3.40	49.2	13.7	3.34	49.1	12.7	3.20	48.8	11.4	3.01	48.4				
	96	18.2	4.63	48.4	18.7	4.66	48.5	19.0	4.66	48.5	19.0	4.65	48.5	18.9	4.63	48.5	18.6	4.56	48.5	18.0	4.46	48.4				
	120	20.0	5.32	48.0	20.6	5.37	48.1	21.1	5.40	48.2	21.2	5.40	48.2	21.3	5.39	48.2	21.2	5.35	48.2	20.9	5.29	48.1				
120	10	50	21.6	3.07	17.1	25.8	4.06	18.6	30.0	4.87	20.0	30.4	4.89	20.1	30.9	4.91	20.3	31.6	4.95	20.5	32.2	4.97	20.7			
		60	21.6	3.01	15.9	25.8	3.98	17.1	30.0	4.81	18.3	30.6	4.84	18.5	31.0	4.86	18.6	31.8	4.90	18.8	32.4	4.92	18.9			
		96	21.6	2.86	13.7	25.8	3.78	14.4	30.0	4.65	15.2	31.0	4.71	15.3	31.4	4.73	15.4	32.2	4.77	15.5	32.8	4.79	15.6			
		120	21.6	2.80	12.9	25.8	3.71	13.5	30.0	4.59	14.1	31.1	4.66	14.3	31.5	4.68	14.3	32.3	4.72	14.4	33.0	4.74	14.5			
	15	50	21.6	3.17	22.1	25.8	4.20	23.6	29.5	5.01	24.9	29.9	5.04	25.0	30.3	5.06	25.1	31.0	5.09	25.4	31.6	5.12	25.5			
		60	21.6	3.11	20.9	25.8	4.12	22.1	29.6	4.96	23.3	30.0	4.99	23.4	30.5	5.01	23.5	31.2	5.04	23.7	31.8	5.07	23.8			
		96	21.6	2.96	18.7	25.8	3.91	19.4	30.0	4.83	20.2	30.4	4.85	20.3	30.8	4.87	20.3	31.6	4.91	20.4	32.2	4.93	20.5			
		120	21.6	2.90	17.9	25.8	3.84	18.5	30.0	4.76	19.1	30.6	4.80	19.2	31.0	4.82	19.3	31.7	4.85	19.4	32.3	4.88	19.4			
	20	50	21.6	3.30	27.1	25.8	4.37	28.6	28.8	5.15	29.7	29.2	5.18	29.9	29.6	5.20	30.0	30.3	5.24	30.2	30.8	5.26	30.9			
		60	21.6	3.24	25.9	25.8	4.29	27.2	28.9	5.10	28.1	29.3	5.13	28.2	29.7	5.15	28.3	30.4	5.19	28.5	31.0	5.21	28.6			
		96	21.6	3.07	23.7	25.8	4.07	24.5	29.3	4.96	25.1	29.7	4.99	25.2	30.1	5.01	25.2	30.8	5.05	25.4	31.4	5.07	25.4			
		120	21.6	3.02	22.9	25.8	3.99	23.6	29.4	4.91	24.1	29.8	4.94	24.2	30.2	4.96	24.2	31.0	4.99	24.4	32.3	5.02	24.4			
25	50	21.6	3.88	32.3	25.8	5.16	33.9	27.9	5.73	34.7	28.3	5.76	34.8	28.7	5.78	34.9	29.3	5.82	35.1	29.8	5.85	35.2				
	60	21.6	3.81	31.1	25.8	5.06	32.4	28.1	5.68	33.1	28.5	5.70	33.2	28.8	5.73	33.3	29.5	5.76	33.4	30.0	5.79	33.5				
	96	21.6	3.62	28.8	25.8	4.80	29.6	28.4	5.52	30.1	28.8	5.55	30.1	29.2	5.57	30.2	29.9	5.61	30.3	30.4	5.63	30.4				
	120	21.6	3.55	28.0	25.8	4.71	28.6	28.5	5.46	29.1	29.0	5.49	29.1	29.4	5.51	29.2	30.0	5.55	29.2	30.6	5.58	29.3				
30	50	21.6	4.59	37.5	25.8	6.12	39.1	28.9	6.31	39.5	27.3	6.34	39.6	27.7	6.37	39.8	28.2	6.40	39.9	28.7	6.43	40.1				
	60	21.6	4.51	36.2	25.8	6.00	37.6	27.1	6.25	38.0	27.4	6.28	38.1	27.8	6.30	38.1	28.4	6.34	38.3	28.8	6.36	38.4				
	96	21.6	4.28	33.9	25.8	5.69	34.7	27.4	6.08	35.0	27.8	6.11	35.1	28.1	6.13	35.1	28.7	6.17	35.2	29.2	6.19	35.3				
	120	21.6	4.20	33.1	25.8	5.58	33.7	27.5	6.02	34.0	27.9	6.04	34.1	28.3	6.07	34.1	28.9	6.11	34.2	29.4	6.13	34.2				
35	50	21.6	5.48	42.8	24.9	6.83	44.1	25.7	6.90	44.4	26.1	6.93	44.5	26.4	6.96	44.6	26.9	6.99	44.7	27.2	7.00	44.8				
	60	21.6	5.37	41.5	24.9	6.76	42.6	25.9	6.83	42.8	26.2	6.86	42.9	26.5	6.89	43.0	27.0	6.92	43.1	27.4	6.94	43.2				
	96	21.6	5.10	39.0	25.4	6.58	39.8	26.2	6.65	39.9	26.6	6.68	40.0	26.9	6.70	40.0	27.4	6.74	40.1	27.8	6.75	40.2				
	120	21.6	5.00	38.2	25.5	6.51	38.8	26.3	6.58	38.9	26.7	6.61	39.0	27.0	6.63	39.0	27.5	6.67	39.1	27.9	6.68	39.1				
40	50	18.7	5.04	46.8	19.4	5.09	47.0	19.8	5.11	47.1	19.9	5.11	47.2	20.0	5.11	47.2										



# 4 Capacity tables

## 4 - 2 Cooling capacity tables

Combination (%)		Inlet Water Temp. (°C)	Water Volume (L/min)	Indoor air temperature: °CDB																																											
				14.0						16.0						18.0						19.0						20.0						22.0						24.0							
				TC	PI	OWT	TC	PI	OWT	TC	PI	OWT	TC	PI	OWT	TC	PI	OWT	TC	PI	OWT	TC	PI	OWT	TC	PI	OWT	TC	PI	OWT	TC	PI	OWT	TC	PI	OWT	TC	PI	OWT	TC	PI	OWT					
100	10	50	18.0	2.32	15.8	21.5	3.04	17.0	25.0	3.85	18.3	26.7	4.30	18.9	28.4	4.77	19.5	30.4	4.89	20.1	31.1	4.92	20.3	31.2	4.88	18.6	18.0	2.28	14.9	21.5	2.98	15.8	25.0	3.78	16.9	26.7	4.21	17.4	28.4	4.68	17.9	30.6	4.84	18.5	31.2	4.88	18.6
		60	18.0	2.17	13.0	21.5	2.83	13.6	25.0	3.59	14.3	26.7	4.00	14.6	28.4	4.44	14.9	30.9	4.71	15.3	31.6	4.74	15.4	31.6	4.74	15.4	18.0	2.13	12.4	21.5	2.78	12.9	25.0	3.52	13.4	26.7	3.92	13.7	28.4	4.35	13.9	31.1	4.66	14.3	31.8	4.69	14.4
		96	18.0	2.40	20.9	21.5	3.14	22.1	25.0	3.99	23.3	26.7	4.45	23.9	28.4	4.94	24.6	29.9	5.03	25.0	30.5	5.07	25.2	30.5	5.07	25.2	18.0	2.36	19.9	21.5	3.08	20.9	25.0	3.91	21.9	26.7	4.36	22.4	28.4	4.84	23.0	30.0	4.98	23.4	30.7	5.02	23.5
		120	18.0	2.20	17.4	21.5	2.87	17.9	25.0	3.64	18.4	26.7	4.06	18.7	28.4	4.50	18.9	30.5	4.80	19.2	31.2	4.83	19.3	31.2	4.83	19.3	18.0	2.49	25.9	21.5	3.27	27.1	25.0	4.15	28.3	26.7	4.63	29.0	28.4	5.13	29.6	29.2	5.18	29.8	29.8	5.21	30.0
	15	60	18.0	2.45	24.9	21.5	3.20	25.9	25.0	4.07	26.9	26.7	4.54	27.5	28.4	5.03	28.0	29.3	5.13	28.2	30.0	5.16	28.4	30.0	5.16	28.4	18.0	2.33	23.0	21.5	3.04	23.7	25.0	3.86	24.3	26.7	4.31	24.6	28.4	4.78	25.0	29.7	4.99	25.2	30.3	5.02	25.3
		96	18.0	2.29	22.4	21.5	2.99	22.9	25.0	3.78	23.4	26.7	4.22	23.7	28.4	4.68	24.0	29.8	4.93	24.2	30.5	4.97	24.2	30.5	4.97	24.2	18.0	2.29	22.4	21.5	2.99	22.9	25.0	3.78	23.4	26.7	4.22	23.7	28.4	4.68	24.0	29.8	4.93	24.2	30.5	4.97	24.2
		120	18.0	2.93	31.0	21.5	3.85	32.3	25.0	4.89	33.6	26.7	5.46	34.2	27.6	5.71	34.6	28.3	5.76	34.8	28.9	5.80	35.0	28.9	5.80	35.0	18.0	2.88	30.0	21.5	3.77	31.0	25.0	4.80	32.1	26.7	5.36	32.7	27.7	5.65	33.0	28.4	5.70	33.2	29.1	5.74	33.3
		120	18.0	2.73	28.1	21.5	3.58	28.7	25.0	4.55	29.4	26.7	5.08	29.7	28.1	5.50	30.0	28.8	5.55	30.1	29.4	5.58	30.2	29.4	5.58	30.2	18.0	2.68	27.5	21.5	3.51	28.0	25.0	4.46	28.5	26.7	4.98	28.8	28.2	5.44	29.0	28.9	5.49	29.1	29.6	5.52	29.2
	20	50	18.0	3.45	36.2	21.5	4.55	37.5	25.0	5.80	38.8	26.3	6.26	39.3	26.6	6.29	39.4	27.3	6.34	39.6	27.8	6.38	39.8	27.8	6.38	39.8	18.0	3.39	35.1	21.5	4.46	36.2	25.0	5.69	37.3	26.4	6.20	37.8	26.7	6.23	37.9	27.4	6.28	38.0	28.0	6.32	38.2
		60	18.0	3.22	33.2	21.5	4.24	33.8	25.0	5.40	34.5	26.7	6.03	34.9	27.1	6.06	34.9	27.8	6.11	35.1	28.3	6.15	35.1	28.3	6.15	35.1	18.0	3.22	33.2	21.5	4.24	33.8	25.0	5.40	34.5	26.7	6.03	34.9	27.1	6.06	34.9	27.8	6.11	35.1	28.3	6.15	35.1
		96	18.0	3.16	32.5	21.5	4.16	33.1	25.0	5.29	33.6	26.7	5.91	33.9	27.2	5.99	34.0	27.9	6.04	34.1	28.5	6.08	34.1	28.5	6.08	34.1	18.0	3.16	32.5	21.5	4.16	33.1	25.0	5.29	33.6	26.7	5.91	33.9	27.2	5.99	34.0	27.9	6.04	34.1	28.5	6.08	34.1
		120	18.0	4.10	41.3	21.5	5.42	42.7	24.7	6.81	44.0	25.1	6.85	44.2	25.5	6.88	44.3	26.1	6.93	44.5	26.6	6.97	44.6	26.6	6.97	44.6	18.0	4.03	40.3	21.5	5.32	41.4	24.9	6.75	42.6	25.2	6.78	42.6	25.6	6.81	42.7	26.2	6.86	42.9	26.7	6.90	43.0
30	50	18.0	4.97	46.6	18.7	5.04	46.8	19.3	5.08	47.0	19.5	5.10	47.0	19.7	5.11	47.1	19.9	5.11	47.2	20.0	5.10	47.2	20.0	5.10	47.2	18.0	4.86	45.5	19.7	5.44	46.0	20.3	5.49	46.2	20.5	5.51	46.2	20.8	5.52	46.3	21.1	5.54	46.4	21.3	5.54	46.4	
	60	18.0	4.83	38.3	21.5	5.05	39.0	25.0	6.45	39.7	25.5	6.59	39.8	25.9	6.62	39.9	26.5	6.68	40.0	27.1	6.71	40.0	27.1	6.71	40.0	18.0	4.83	38.3	21.5	5.05	39.0	25.0	6.45	39.7	25.5	6.59	39.8	25.9	6.62	39.9	26.5	6.68	40.0	27.1	6.71	40.0	
	96	18.0	4.76	47.7	19.6	5.29	48.0	20.2	5.34	48.1	20.5	5.36	48.1	20.7	5.38	48.1	21.0	5.40	48.2	21.0	5.39	48.2	21.0	5.39	48.2	18.0	4.76	47.7	19.6	5.29	48.0	20.2	5.34	48.1	20.5	5.36	48.1	20.7	5.38	48.1	21.0	5.40	48.2	21.0	5.39	48.2	
	120	18.0	4.09	42.6	21.5	5.44	43.2	23.3	6.05	43.5	23.6	6.08	43.5	23.9	6.10	43.6	24.5	6.14	43.7	24.9	6.17	43.7	24.9	6.17	43.7	18.0	4.09	42.6	21.5	5.44	43.2	23.3	6.05	43.5	23.6	6.08	43.5	23.9	6.10	43.6	24.5	6.14	43.7	24.9	6.17	43.7	
90	10	50	16.2	1.99	15.2	19.3	2.58	16.3	22.5	3.26	17.4	24.0	3.62	17.9	25.6	4.01	18.5	28.7	4.79	19.6	30.4	4.89	20.1	30.4	4.89	20.1	16.2	1.95	14.3	19.3	2.53	15.2	22.5	3.19	16.1	24.0	3.55	16.6	25.6	3.93	17.1	28.7	4.73	18.0	30.5	4.84	18.5
		60	16.2	1.86	12.7	19.3	2.41	13.2	22.5	3.03	13.8	24.0	3.37	14.1	25.6	3.73	14.4	28.7	4.51	15.0	30.9	4.71	15.3	30.9	4.71	15.3	16.2	1.83	12.2	19.3	2.36	12.6	22.5	2.98	13.0	24.0	3.31	13.3	25.6	3.66	13.5	28.7	4.42	14.0	31.1	4.66	14.3
		96	16.2	2.06	20.2	19.3	2.67	21.3	22.5	3.37	22.4	24.0	3.75	23.0	25.6	4.15	23.5	28.7	4.96	24.7	29.9	5.03	25.0	29.9	5.03	25.0	16.2	2.02	19.4	19.3	2.62	20.2	22.5	3.31	21.2	24.0	3.68	21.6	25.6	4.07	22.1	28.7	4.90	23.0	30.0	4.98	23.4
		120	16.2	1.92	17.7	19.3	2.49	18.3	22.5	3.14	18.8	24.0	3.49	19.1	25.6	3.87	19.4	28.7	4.67	20.0	30.4	4.85	20.3	30.4	4.85	20.3	16.2	1.89	17.2	19.3	2.45	17.6	22.5	3.08	18.1	24.0	3.43	18.3	25.6	3.79	18.5	28.7	4.58	19.0	30.5	4.80	19.2
	15	50	16.2	2.14	25.3	19.3	2.78	26.3	22.5	3.50	27.4	24.0	3.90	28.0	25.6	4.32	28.6	28.5	5.14	29.6	29.6	5.18	29.8	29.6	5.18	29.8	16.2	2.10	24.4	19.3	2.72	25.3	22.5	3.44	26.2	24.0	3.82	26.7	25.6	4.23	27.1	28.6	5.09	28.1	29.3	5.13	28.2
		60	16.2	2.00	22.7	19.3	2.59	23.3	22.5	3.26	23.8	24.0	3.63	24.1	25.6	4.02	24.4	28.7	4.85	25.0	29.7	4.99	25.2	29.7	4.99	25.2	16.2	1.96	22.2	19.3	2.54	22.6	22.5	3.20	23.1	24.0	3.56	23.3	25.6	3.94	23.5	28.7	4.76	24.0	29.8	4.93	24.1
		96	16.2	2.51	30.4	19.3	3.26	31.5	22.5	4.13	32.6	24.0	4.60	33.2	25.6	5.09	33.8	27.7	5.71	34.6	28.3	5.76	34.8	28.3	5.76	34.8	16.2	2.46	29.5	19.3	3.20	30.4	22.5	4.05	31.3	24.0	4.51	31.8	25.6	5.00	32.3	27.8	5.66	33.0	28.4	5.70	33.2
		120	16.2	2.30	27.2	19.3	2.99	27.7	22.5	3.77	28.1	24.0	4.28	28.4	25.6	4.74	29.5	28.1	5.50	30.0	28.8	5.54	30.1	28.8	5.54	30.1	16.2	2.30	27.2	19.3	2.99	27.7	22.5	3.77	28.1	24.0	4.28	28.4	25.6	4.65	28.6	28.3	5.44	29.0	28.9	5.49	29.1
	20	50	16.2	2.95	35.5	19.3	3.85	36.7	22.5	4.88	37.8	24.0	5.45	38.5	25.6	6.04	39.1	26.7	6.30	39.5	27.3	6.34	39.6	27.3	6.34	39.6	16.2	2.89	34.6	19.3	3.78	35.5	22.5	4.79	36.5	24.0	5.34	37.0	25.6	5.93	37.5	26.8	6.23	37.9	27.4	6.28	38.0
		60	16.2	2.75	32.8	19.3	3.59	33.4	22.5	4.55	34.0	24.0	5.07	34.3	25.6	5.62	34.7	27.1	6.06	35.0	27.7	6.11	35.1	27.7	6.11	35.1	16.2	2.70	32.3	19.3	3.52	32.7	22.5	4.46	33.2	24.0	4.97	33.5	25.6	5.51	33.7	27.3	6.00	34.0	27.9	6.04	34.1
		96	16.2	3.49	40.7	19.3	4.58	41.9	22.5	5.83	43.1	24.0	6.51	43.8	24.9	6.83	44.1	25.5	6.88	44.3	26.1	6.93	44.5	26.1	6.93	44.5	16.2	3.43	39.7	19.3	4.50	40.7	22.5	5.72	41.7	24.0	6.39	42.3	25.6	6.76	42.6	26.6	6.81	42.8	26.2	6.86	42.9
		120	16.2	3.20	37.3	19.3	4.19	37.8	22.5	5.32	38.3	24.0	5.94	38.6	25.4	6.50	38.8	26.1	6.56	38.9	26.6	6.60	39.0	26.6	6.60	39.0	16.2	3.20	37.3	19.3	4.19	37.8	22.5	5.32	38.3	24.0	5.94										

# 4 Capacity tables

## 4 - 2 Cooling capacity tables

### RWEYQ10PY1

TC: Total Capacity: kW ; PI: Power Input: kW (compressor + outdoor fan motor) ; OWT: Outlet Water Temperatur: °C

Combination (%)	Inlet Water Temp. (°C)	Water Volume L/min	Indoor air temperature: °CDB																							
			14.0			16.0			18.0			19.0			21.0			22.0			24.0					
			TC	PI	OWT	TC	PI	OWT	TC	PI	OWT	TC	PI	OWT	TC	PI	OWT	TC	PI	OWT	TC	PI	OWT			
70	10	50	12.6	1.41	14.0	15.0	1.79	14.8	17.5	2.22	15.6	18.7	2.45	16.1	19.9	2.70	16.5	22.3	3.23	17.3	24.8	3.80	18.2			
		60	12.6	1.38	13.3	15.0	1.76	14.0	17.5	2.18	14.7	18.7	2.41	15.0	19.9	2.65	15.4	22.3	3.16	16.1	24.8	3.73	16.8			
		96	12.6	1.32	12.1	15.0	1.67	12.5	17.5	2.07	12.9	18.7	2.29	13.1	19.9	2.52	13.3	22.3	3.01	13.8	24.8	3.54	14.2			
	15	50	12.6	1.46	19.0	15.0	1.85	19.8	17.5	2.30	20.7	18.7	2.54	21.1	19.9	2.79	21.5	22.3	3.34	22.4	24.8	3.94	23.2			
		60	12.6	1.43	18.4	15.0	1.82	19.0	17.5	2.25	19.7	18.7	2.49	20.1	19.9	2.74	20.4	22.3	3.28	21.1	24.8	3.86	21.8			
		96	12.6	1.36	17.1	15.0	1.73	17.5	17.5	2.14	17.9	18.7	2.37	18.1	19.9	2.60	18.4	22.3	3.11	18.8	24.8	3.67	19.2			
	20	50	12.6	1.51	24.0	15.0	1.92	24.9	17.5	2.38	25.7	18.7	2.64	26.1	19.9	2.90	26.5	22.3	3.47	27.4	24.8	4.09	28.3			
		60	12.6	1.48	23.4	15.0	1.89	24.0	17.5	2.34	24.7	18.7	2.59	25.1	19.9	2.85	25.4	22.3	3.40	26.1	24.8	4.01	26.9			
		96	12.6	1.42	22.1	15.0	1.80	22.5	17.5	2.23	22.9	18.7	2.46	23.2	19.9	2.71	23.4	22.3	3.23	23.8	24.8	3.81	24.3			
	25	50	12.6	1.76	29.1	15.0	2.25	30.0	17.5	2.80	30.8	18.7	3.10	31.2	19.9	3.41	31.7	22.3	4.09	32.6	24.8	4.83	33.5			
		60	12.6	1.73	28.4	15.0	2.21	29.1	17.5	2.75	29.8	18.7	3.04	30.2	19.9	3.35	30.6	22.3	4.01	31.3	24.8	4.74	32.0			
		96	12.6	1.65	27.1	15.0	2.10	27.6	17.5	2.61	28.0	18.7	2.89	28.2	19.9	3.18	28.4	22.3	3.81	28.9	24.8	4.49	29.4			
	30	50	12.6	2.06	34.2	15.0	2.64	35.1	17.5	3.30	36.0	18.7	3.65	36.4	19.9	4.03	36.9	22.3	4.84	37.8	24.8	5.72	38.7			
		60	12.6	2.02	33.5	15.0	2.59	34.2	17.5	3.24	34.9	18.7	3.58	35.3	19.9	3.95	35.7	22.3	4.75	36.5	24.8	5.61	37.3			
		96	12.6	1.93	32.2	15.0	2.47	32.6	17.5	3.08	33.1	18.7	3.41	33.3	19.9	3.76	33.5	22.3	4.51	34.0	24.8	5.33	34.5			
	60	10	50	10.81	1.16	13.4	12.9	1.45	14.1	15.0	1.78	14.8	16.0	1.95	15.2	17.1	2.14	15.5	19.1	2.54	16.2	21.2	2.98	16.9		
			60	10.81	1.14	12.9	12.9	1.42	13.4	15.0	1.75	14.0	16.0	1.92	14.3	17.1	2.10	14.6	19.1	2.50	15.2	21.2	2.92	15.8		
			96	10.81	1.09	11.8	12.9	1.36	12.1	15.0	1.66	12.5	16.0	1.83	12.7	17.1	2.00	12.8	19.1	2.37	13.2	21.2	2.78	13.6		
		15	50	10.81	1.07	11.4	12.9	1.33	11.7	15.0	1.63	12.0	16.0	1.79	12.1	17.1	1.96	12.3	19.1	2.33	12.6	21.2	2.72	12.9		
			60	10.81	1.20	18.4	12.9	1.50	19.1	15.0	1.84	19.8	16.0	2.02	20.2	17.1	2.22	20.5	19.1	2.63	21.2	21.2	3.08	22.0		
			96	10.81	1.12	16.8	12.9	1.47	17.1	15.0	1.72	17.5	16.0	1.89	17.7	17.1	2.07	17.9	19.1	2.46	18.2	21.2	2.88	18.6		
		20	50	10.81	1.10	16.4	12.9	1.38	16.7	15.0	1.69	17.0	16.0	1.86	17.1	17.1	2.03	17.3	19.1	2.41	17.6	21.2	2.82	17.9		
			60	10.81	1.24	23.5	12.9	1.56	24.1	15.0	1.91	24.8	16.0	2.10	25.2	17.1	2.30	25.6	19.1	2.73	26.3	21.2	3.20	27.0		
			96	10.81	1.16	21.8	12.9	1.46	22.1	15.0	1.79	22.5	16.0	1.96	22.7	17.1	2.15	22.9	19.1	2.55	23.2	21.2	2.99	23.8		
25		50	10.81	1.14	21.4	12.9	1.43	21.7	15.0	1.75	22.0	16.0	1.93	22.1	17.1	2.11	22.3	19.1	2.50	22.6	21.2	2.93	22.9			
		60	10.81	1.44	28.5	12.9	1.81	29.2	15.0	2.23	29.9	16.0	2.46	30.3	17.1	2.70	30.7	19.1	3.21	31.4	21.2	3.77	32.2			
		96	10.81	1.35	26.8	12.9	1.70	27.2	15.0	2.09	27.5	16.0	2.30	27.7	17.1	2.52	27.9	19.1	3.00	28.3	21.2	3.52	28.7			
30		50	10.81	1.33	26.5	12.9	1.67	26.7	15.0	2.05	27.0	16.0	2.26	27.2	17.1	2.47	27.3	19.1	2.94	27.6	21.2	3.45	27.9			
		60	10.81	1.68	33.6	12.9	2.12	34.3	15.0	2.62	35.0	16.0	2.89	35.4	17.1	3.18	35.8	19.1	3.79	36.6	21.2	4.46	37.4			
		96	10.81	1.65	33.0	12.9	2.09	33.6	15.0	2.58	34.2	16.0	2.84	34.5	17.1	3.12	34.8	19.1	3.72	35.5	21.2	4.37	36.1			
35		50	10.81	1.58	31.9	12.9	1.99	32.2	15.0	2.45	32.6	16.0	2.70	32.8	17.1	2.97	33.0	19.1	3.54	33.4	21.2	4.16	33.8			
		60	10.81	1.55	31.5	12.9	1.95	31.8	15.0	2.41	32.1	16.0	2.65	32.2	17.1	2.91	32.4	19.1	3.47	32.7	21.2	4.07	33.0			
		96	10.81	1.97	38.7	12.9	2.50	39.4	15.0	3.10	40.2	16.0	3.43	40.6	17.1	3.77	41.0	19.1	4.51	41.8	21.2	5.32	42.6			
40		50	10.81	1.94	38.0	12.9	2.46	38.7	15.0	3.05	39.3	16.0	3.37	39.6	17.1	3.70	40.0	19.1	4.43	40.6	21.2	5.22	41.3			
		60	10.81	1.85	36.9	12.9	2.34	37.3	15.0	2.90	37.7	16.0	3.20	37.9	17.1	3.52	38.1	19.1	4.20	38.5	21.2	4.95	38.9			
		96	10.81	1.81	36.5	12.9	2.30	36.8	15.0	2.84	37.1	16.0	3.14	37.3	17.1	3.45	37.5	19.1	4.12	37.8	21.2	4.86	38.1			
45		50	10.81	2.23	43.7	12.9	2.91	44.5	15.0	3.69	45.4	16.0	4.11	45.8	17.1	4.55	46.2	18.2	4.99	46.7	18.7	5.03	46.8			
		60	10.81	2.21	43.1	12.9	2.86	43.8	15.0	3.61	44.4	16.0	4.02	44.8	17.1	4.45	45.1	19.1	5.38	45.9	19.6	5.43	46.0			
		96	10.81	1.99	41.9	12.9	2.55	42.3	15.0	3.18	42.7	16.0	3.52	42.9	17.1	3.88	43.1	19.1	4.66	43.6	21.2	5.51	44.0			
50	10	50	9.01	0.93	12.9	10.7	1.15	13.4	12.5	1.39	14.0	13.4	1.52	14.3	14.2	1.65	14.6	16.0	1.94	15.1	17.7	2.26	15.7			
		60	9.01	0.92	12.4	10.7	1.13	12.8	12.5	1.36	13.3	13.4	1.49	13.5	14.2	1.62	13.8	16.0	1.91	14.3	17.7	2.22	14.8			
		96	9.01	0.88	11.5	10.7	1.08	11.8	12.5	1.30	12.1	13.4	1.42	12.2	14.2	1.55	12.4	16.0	1.82	12.7	17.7	2.11	13.0			
	15	50	9.01	0.86	11.2	10.7	1.06	11.4	12.5	1.28	11.6	13.4	1.40	11.8	14.2	1.52	11.9	16.0	1.78	12.1	17.7	2.07	12.4			
		60	9.01	0.96	17.9	10.7	1.19	18.4	12.5	1.44	19.0	13.4	1.57	19.3	14.2	1.71	19.6	16.0	2.01	20.2	17.7	2.34	20.7			
		96	9.01	0.95	17.4	10.7	1.17	17.8	12.5	1.41	18.3	13.4	1.54	18.6	14.2	1.68	18.8	16.0	1.97	19.3	17.7	2.29	19.8			
	20	50	9.01	0.91	16.5	10.7	1.12	16.8	12.5	1.35	17.1	13.4	1.47	17.2	14.2	1.60	17.4	16.0	1.88	17.7	17.7	2.18	18.0			
		60	9.01	0.89	16.2	10.7	1.10	16.4	12.5	1.32	16.6	13.4	1.44	16.8	14.2	1.57	16.9	16.0	1.85	17.1	17.7	2.14	17.4			
		96	9.01	1.00	22.9	10.7	1.23	23.4	12.5	1.49	24.0	13.4	1.63	24.3	14.2	1.78	24.6	16.0	2.09	25.2	17.7	2.43	25.8			
	25	50	9.01	0.98	22.4	10.7	1.21	22.9	12.5	1.46	23.3	13.4	1.60	23.6	14.2	1.74	23.8	16.0	2.05	24.3	17.7	2.38	24.8			
		60	9.01	0.94	21.5	10.7	1.16	21.8	12.5	1.40	22.1	13.4	1.53	22.2	14.2	1.66	22.4	16.0	1.95	22.7	17.7	2.27	23.0			
		96	9.01	0.93	21.2	10.7	1.14	21.4	12.5	1.37	21.7	13.4	1.50	21.8	14.2	1.63	21.9	16.0	1.92	22.1	17.7	2.22	22.4			
	30	50	9.01	1.16	27.9	10.7	1.43	28.5	12.5	1.74	29.1	13.4	1.90	29.4	14.2	2.08	29.7	16.0	2.45	30.3	17.7	2.85	30.9			
		60	9.01	1.14	27.4	10.7	1.41	27.9	12.5	1.71	28.4	13.4	1.87	28.6	14.2	2.04	28.9	16.0	2.40	29.4	17.7	2.80	29.9			
		96	9.01	1.09	26.5	10.7	1.34	26.8	12.5	1.63	27.1	13.4	1.78	27.3	14.2	1.94	27.4	16.0	2.29	27.7	17.7	2.66	28.0			
	35	50	9.01	1.07	26.2	10.7	1.32	26.4	12.5	1.60	26.7	13.4	1.75	26.8	14.2	1.91	26.9	16.0	2.24	27.2	17.7	2.61	27.4			
		60	9.01	1.34	33.0	10.7	1.67	33.6	12.5	2.03	34.2	13.4	2.23	34.5	14.2	2.43	34.8	16.0	2.88	35.4	17.7	3.36	36.0			
		96	9.01	1.32	32.5	10.7	1.64	33.0	12.5	2.																



# 4 Capacity tables

## 4 - 2 Cooling capacity tables

### RWEYQ16PY1

TC: Total Capacity: kW ; PI: Power Input: kW (compressor + outdoor fan motor) ; OWT: Outlet Water Temperatur: °C

Combination (%)	Inlet Water Temp. (°C)	Water Volume L/min	Indoor air temperature: °CDB																							
			14.0			16.0			18.0			19.0			20.0			22.0			24.0					
			TC	PI	OWT	TC	PI	OWT	TC	PI	OWT	TC	PI	OWT	TC	PI	OWT	TC	PI	OWT	TC	PI	OWT			
130	10	50	39.3	5.25	16.4	46.9	6.99	17.7	51.2	7.39	18.4	52.0	7.42	18.5	52.7	7.45	18.6	53.8	7.50	18.8	54.8	7.52	18.9	55.0	7.53	
		60	39.3	5.15	15.3	46.9	6.85	16.4	51.5	7.32	17.0	52.2	7.35	17.1	52.9	7.38	17.2	54.1	7.42	17.4	55.0	7.45	17.5	55.0	7.46	
		96	39.3	4.89	13.3	46.9	6.50	14.0	52.1	7.12	14.4	52.9	7.15	14.5	53.6	7.18	14.5	54.8	7.22	14.6	55.8	7.25	14.7	55.8	7.26	
		120	39.3	4.08	12.6	46.9	6.37	13.2	52.3	7.04	13.5	53.1	7.07	13.6	53.8	7.10	13.6	55.1	7.15	13.7	56.1	7.18	13.8	56.1	7.19	
	15	50	39.3	5.43	21.4	46.9	7.24	22.8	50.3	7.61	23.3	51.0	7.64	23.4	51.7	7.67	23.5	52.8	7.72	23.7	53.7	7.74	23.8	53.8	7.75	
		60	39.3	5.33	20.3	46.9	7.10	21.4	50.5	7.53	21.9	51.3	7.56	22.0	52.0	7.59	22.1	53.1	7.64	22.3	54.0	7.67	22.4	54.0	7.68	
		96	39.3	5.06	18.3	46.9	6.73	19.0	51.2	7.32	19.4	51.9	7.36	19.4	52.6	7.39	19.5	53.8	7.44	19.6	54.7	7.46	19.6	54.7	7.47	
		120	39.3	4.96	17.6	46.9	6.60	18.2	51.4	7.25	18.5	52.2	7.28	18.6	52.9	7.31	18.6	54.0	7.36	18.7	55.0	7.39	18.7	55.0	7.40	
	20	50	39.3	5.65	26.4	46.9	7.52	27.8	49.1	7.82	28.2	49.8	7.86	28.3	50.5	7.89	28.4	51.5	7.94	28.5	52.3	7.96	28.6	52.3	7.97	
		60	39.3	5.54	25.4	46.9	7.38	26.5	49.4	7.75	26.8	50.1	7.78	26.9	50.7	7.81	27.0	51.8	7.86	27.1	52.6	7.89	27.2	52.6	7.90	
		96	39.3	5.26	23.3	46.9	7.00	24.0	50.0	7.53	24.3	50.7	7.57	24.4	51.4	7.60	24.4	52.5	7.65	24.5	53.3	7.68	24.6	53.3	7.69	
		120	39.3	5.16	22.7	46.9	6.86	23.2	50.2	7.45	23.4	50.9	7.49	23.5	51.6	7.52	23.5	52.7	7.57	23.6	53.6	7.60	23.7	53.6	7.61	
25	50	39.3	6.66	31.6	46.1	8.61	32.8	47.7	8.70	33.1	48.3	8.74	33.2	48.9	8.77	33.3	49.9	8.81	33.4	50.6	8.84	33.5	50.6	8.85		
	60	39.3	6.53	30.5	46.4	8.52	31.6	47.9	8.61	31.8	48.6	8.65	31.8	49.2	8.68	31.9	50.1	8.73	32.0	50.9	8.75	32.1	50.9	8.76		
	96	39.3	6.20	28.4	46.9	8.27	29.1	48.5	8.38	29.2	49.2	8.42	29.3	49.8	8.45	29.3	50.8	8.49	29.4	51.6	8.52	29.5	51.6	8.53		
	120	39.3	6.08	27.7	46.9	8.10	28.3	48.7	8.29	28.4	49.4	8.33	28.4	50.0	8.36	28.5	51.1	8.41	28.6	51.8	8.43	28.6	51.8	8.44		
30	50	39.3	7.89	36.8	44.5	9.48	37.7	45.9	9.58	38.0	46.6	9.62	38.1	47.1	9.65	38.1	47.9	9.69	38.3	48.5	9.71	38.3	48.5	9.72		
	60	39.3	7.73	35.6	44.7	9.39	36.5	46.2	9.49	36.6	46.8	9.52	36.7	47.3	9.56	36.8	48.2	9.60	36.9	48.8	9.61	37.0	48.8	9.62		
	96	39.3	7.34	33.5	45.3	9.13	34.1	46.7	9.23	34.2	47.4	9.27	34.2	47.9	9.30	34.3	48.8	9.34	34.3	49.5	9.36	34.4	49.5	9.37		
	120	39.3	7.20	32.8	45.5	9.03	33.3	47.0	9.13	33.4	47.6	9.17	33.4	48.2	9.20	33.4	49.1	9.25	33.5	49.7	9.26	33.5	49.7	9.27		
35	50	39.3	9.42	42.0	42.6	10.4	42.6	43.9	10.5	42.8	44.4	10.5	42.9	44.9	10.5	42.9	45.6	10.6	43.1	46.0	10.6	43.1	46.0	10.6		
	60	39.3	9.24	40.8	42.8	10.3	41.3	44.1	10.4	41.5	44.7	10.4	41.6	45.1	10.4	41.6	45.8	10.5	41.7	46.3	10.5	41.8	46.3	10.5		
	96	39.3	8.77	38.6	43.3	9.98	39.0	44.7	10.1	39.1	45.2	10.1	39.1	45.7	10.2	39.2	46.5	10.2	39.2	46.9	10.2	39.3	46.9	10.2		
	120	39.3	8.60	37.9	43.5	9.88	38.2	44.9	9.98	38.3	45.5	10.0	38.3	46.0	10.0	38.3	46.7	10.1	38.4	47.2	10.1	38.4	47.2	10.1		
40	50	31.9	7.64	45.7	32.9	7.70	45.9	33.5	7.72	45.9	33.5	7.71	45.9	33.6	7.68	45.9	33.3	7.60	45.9	32.5	7.47	45.7	32.5			
	60	33.6	8.25	45.0	34.7	8.33	45.1	35.5	8.37	45.2	35.7	8.37	45.3	35.8	8.36	45.3	35.7	8.30	45.3	35.2	8.20	45.2	35.2			
	96	36.2	9.24	43.5	39.7	9.35	43.7	40.8	9.43	43.8	41.2	9.45	43.8	41.6	9.47	43.8	42.0	9.47	43.8	42.1	9.44	43.9	42.1			
	120	38.5	9.08	42.8	40.0	9.20	42.9	41.2	9.27	43.0	41.6	9.30	43.0	42.0	9.32	43.1	42.5	9.32	43.1	42.6	9.29	43.1	42.6			
45	50	22.4	4.82	48.9	22.1	4.75	48.9	21.2	4.62	48.7	20.5	4.52	48.6	19.7	4.41	48.5	17.5	4.14	48.1	14.6	3.81	47.6	14.6			
	60	24.5	5.32	48.6	24.6	5.29	48.6	24.1	5.20	48.5	23.7	5.12	48.4	23.0	5.04	48.4	21.4	4.82	48.1	19.1	4.55	47.8	19.1			
	96	30.6	6.99	47.8	31.4	7.04	47.9	31.8	7.03	47.9	31.8	7.01	47.9	31.7	6.98	47.9	31.2	6.88	47.8	30.2	6.74	47.8	30.2			
	120	33.5	8.03	47.5	34.6	8.11	47.6	35.4	8.14	47.6	35.6	8.14	47.6	35.7	8.13	47.6	35.6	8.08	47.6	35.1	7.98	47.6	35.1			
120	10	50	36.3	4.63	15.9	43.3	6.13	17.1	50.3	7.34	18.3	51.1	7.38	18.4	51.8	7.41	18.5	53.0	7.47	18.7	54.1	7.50	18.8	54.1		
		60	36.3	4.54	14.9	43.3	6.01	15.9	50.3	7.26	16.9	51.3	7.31	17.0	52.0	7.34	17.1	53.3	7.39	17.2	54.3	7.43	17.4	54.3		
		96	36.3	4.31	13.0	43.3	5.70	13.7	50.3	7.02	14.3	52.0	7.11	14.4	52.7	7.14	14.5	54.0	7.19	14.6	55.0	7.23	14.7	55.0		
		120	36.3	4.23	12.4	43.3	5.59	12.9	50.3	6.93	13.4	52.2	7.03	13.5	52.9	7.07	13.6	54.2	7.12	13.7	55.3	7.16	13.7	55.3		
	15	50	36.3	4.79	20.9	43.3	6.34	22.1	49.4	7.56	23.2	50.2	7.60	23.3	50.9	7.63	23.4	52.1	7.69	23.6	53.0	7.72	23.7	53.0		
		60	36.3	4.70	19.9	43.3	6.22	20.9	49.7	7.49	21.8	50.4	7.52	21.9	51.1	7.56	22.0	52.3	7.61	22.2	53.3	7.65	22.3	53.3		
		96	36.3	4.46	18.0	43.3	5.91	18.7	50.3	7.28	19.3	51.0	7.32	19.4	51.7	7.35	19.4	53.0	7.40	19.5	54.0	7.44	19.6	54.0		
		120	36.3	4.38	17.4	43.3	5.79	17.9	50.3	7.19	18.4	51.3	7.24	18.5	52.0	7.27	18.5	53.2	7.33	18.6	54.3	7.37	18.7	54.3		
	20	50	36.3	4.98	25.9	43.3	6.60	27.1	48.3	7.78	28.0	49.0	7.82	28.1	49.7	7.85	28.2	50.8	7.91	28.4	51.7	7.94	28.6	51.7		
		60	36.3	4.88	24.9	43.3	6.47	25.9	48.5	7.70	26.7	49.2	7.74	26.8	49.9	7.77	26.9	51.0	7.83	27.0	52.0	7.87	27.1	52.0		
		96	36.3	4.64	23.1	43.3	6.14	23.7	49.1	7.49	24.2	49.8	7.53	24.3	50.5	7.56	24.3	51.7	7.62	24.4	52.7	7.65	24.5	52.7		
		120	36.3	4.55	22.4	43.3	6.02	22.9	49.3	7.41	23.4	50.1	7.45	23.4	50.8	7.48	23.5	52.0	7.54	23.6	52.9	7.58	23.6	52.9		
25	50	36.3	5.86	31.0	43.3	7.78	32.3	46.9	8.65	33.0	47.6	8.69	33.1	48.2	8.73	33.2	49.2	8.78	33.3	50.1	8.82	33.4	50.1			
	60	36.3	5.75	30.0	43.3	7.64	31.1	47.1	8.56	31.6	47.8	8.60	31.7	48.4	8.64	31.8	49.5	8.70	32.0	50.3	8.74	32.1	50.3			
	96	36.3	5.46	28.1	43.3	7.25	28.8	47.7	8.33	29.2	48.4	8.37	29.2	49.0	8.41	29.3	50.1	8.46	29.4	51.0	8.50	29.4	51.0			
	120	36.3	5.36	27.5	43.3	7.10	28.0	47.9	8.24	28.4	48.6	8.28	28.4	49.2	8.32	28.4	50.4	8.37	28.5	51.3	8.41	28.6	51.3			
30	50	36.3	6.93	36.2	43.3	9.																				

# 4 Capacity tables

## 4 - 2 Cooling capacity tables

### RWEYQ16PY1

TC: Total Capacity: kW ; PI: Power Input: kW (compressor + outdoor fan motor) ; OWT: Outlet Water Temperatur: °C

Combination (%)	Inlet Water Temp. (°C)	Water Volume l/min	Indoor air temperature: °CDB																							
			14.0			16.0			18.0			19.0			20.0			22.0			24.0					
			TC	PI	OWT	TC	PI	OWT	TC	PI	OWT	TC	PI	OWT	TC	PI	OWT	TC	PI	OWT	TC	PI	OWT			
100	10	50	30.2	3.50	14.8	36.1	4.58	15.8	41.9	5.81	16.8	44.8	6.48	17.4	47.7	7.19	17.9	51.0	7.38	18.4	52.2	7.43	18.5			
		60	30.2	3.44	14.0	36.1	4.50	14.8	41.9	5.70	15.7	44.8	6.36	16.1	47.7	7.06	16.5	51.3	7.31	17.0	52.4	7.36	17.1			
		96	30.2	3.27	12.5	36.1	4.27	13.0	41.9	5.41	13.5	44.8	6.04	13.8	47.7	6.69	14.1	51.9	7.11	14.4	53.1	7.16	14.5			
	15	50	30.2	3.32	17.0	36.1	4.34	17.4	41.9	5.50	17.8	44.8	6.13	18.0	47.7	6.79	18.3	51.2	7.24	18.5	52.4	7.29	18.6			
		60	30.2	3.63	19.9	36.1	4.74	20.8	41.9	6.02	21.9	44.8	6.71	22.4	47.7	7.45	22.9	50.1	7.60	23.3	51.2	7.65	23.4			
		96	30.2	3.39	17.5	36.1	4.42	18.0	41.9	5.60	18.5	44.8	6.25	18.8	47.7	6.93	19.1	50.4	7.32	19.4	51.7	7.37	19.1			
	20	50	30.2	3.77	24.9	36.1	4.93	25.9	41.9	6.26	26.9	44.8	6.98	27.4	47.7	7.75	28.0	49.0	7.81	28.1	50.0	7.87	28.3			
		60	30.2	3.70	24.1	36.1	4.84	24.9	41.9	6.14	25.7	44.8	6.85	26.2	47.7	7.60	26.6	49.2	7.74	26.8	50.3	7.79	26.9			
		96	30.2	3.52	22.5	36.1	4.60	23.0	41.9	5.83	23.6	44.8	6.50	23.8	47.7	7.21	24.1	49.8	7.53	24.3	50.9	7.58	24.4			
	25	50	30.2	4.42	30.0	36.1	5.80	31.0	41.9	7.38	32.1	44.8	8.24	32.6	46.3	8.62	32.9	47.5	8.69	33.1	48.5	8.75	33.2			
		60	30.2	4.34	29.1	36.1	5.69	30.0	41.9	7.24	30.9	44.8	8.08	31.3	46.5	8.53	31.6	47.7	8.60	31.7	48.8	8.66	31.9			
		96	30.2	4.13	27.6	36.1	5.41	28.1	41.9	6.87	28.6	44.8	7.67	28.9	47.1	8.30	29.1	48.3	8.37	29.2	49.4	8.43	29.3			
30	50	30.2	5.21	35.1	36.1	6.86	36.2	41.9	8.75	37.3	44.1	9.45	37.7	44.7	9.49	37.8	45.8	9.57	37.9	46.7	9.63	38.1				
	60	30.2	5.12	34.2	36.1	6.73	35.1	41.9	8.58	36.0	44.3	9.36	36.4	44.9	9.40	36.5	46.0	9.47	36.6	46.9	9.53	36.7				
	96	30.2	4.86	32.6	36.1	6.39	33.2	41.9	8.14	33.7	44.8	9.10	34.0	45.4	9.14	34.1	46.6	9.22	34.2	47.6	9.28	34.2				
35	50	30.2	6.19	40.2	36.1	8.19	41.3	41.9	10.3	42.4	42.2	10.3	42.5	42.7	10.4	42.6	43.8	10.5	42.8	44.6	10.5	42.9				
	60	30.2	6.08	39.3	36.1	8.03	40.3	41.7	10.2	41.2	42.3	10.2	41.3	42.9	10.3	41.4	44.0	10.4	41.5	44.8	10.4	41.6				
	96	30.2	5.78	37.7	36.1	7.62	38.3	41.9	9.74	38.9	42.9	9.95	38.9	43.5	10.00	39.0	44.5	10.1	39.1	45.4	10.1	39.1				
40	50	30.2	7.50	45.4	36.1	7.60	45.6	32.3	7.67	45.7	32.7	7.69	45.8	33.0	7.71	45.8	33.4	7.72	45.9	33.6	7.70	45.9				
	60	30.2	7.34	44.5	33.0	8.20	44.9	34.0	8.28	45.1	34.5	8.31	45.1	34.8	8.34	45.2	35.4	8.36	45.2	35.7	8.36	45.3				
	96	30.2	6.38	42.7	36.1	8.49	43.3	38.7	9.28	43.6	39.3	9.32	43.6	39.8	9.36	43.7	40.7	9.42	43.7	41.4	9.46	43.8				
45	50	30.2	6.18	42.2	36.1	8.21	42.6	39.1	9.12	42.9	39.6	9.17	42.9	40.2	9.21	42.9	41.1	9.27	43.0	41.7	9.31	43.0				
	60	21.8	4.82	48.8	22.3	4.83	48.9	22.3	4.81	48.9	22.2	4.78	48.9	22.0	4.74	48.8	21.3	4.64	48.7	20.3	4.49	48.6				
	96	29.0	6.87	47.7	30.1	6.96	47.8	30.9	7.01	47.8	31.2	7.03	47.9	31.5	7.04	47.9	31.8	7.04	47.9	31.8	7.01	47.9				
90	10	50	27.2	3.00	14.3	32.5	3.90	15.2	37.7	4.91	16.1	40.3	5.47	16.6	42.9	6.05	17.0	48.2	7.22	17.9	51.0	7.38	18.4			
		60	27.2	2.95	13.6	32.5	3.82	14.3	37.7	4.82	15.1	40.3	5.36	15.5	42.9	5.94	15.8	48.2	7.14	16.6	51.2	7.31	17.0			
		96	27.2	2.81	12.2	32.5	3.64	12.7	37.7	4.58	13.2	40.3	5.09	13.4	42.9	5.63	13.6	48.2	6.80	14.1	51.9	7.11	14.4			
	15	50	27.2	2.76	11.8	32.5	3.57	12.2	37.7	4.49	12.5	40.3	4.99	12.7	42.9	5.52	12.9	48.2	6.67	13.3	52.1	7.03	13.5			
		60	27.2	3.11	19.3	32.5	4.03	20.2	37.7	5.09	21.1	40.3	5.66	21.6	42.9	6.27	22.1	48.2	7.48	23.0	50.1	7.60	23.3			
		96	27.2	3.05	18.6	32.5	3.96	19.4	37.7	4.99	20.1	40.3	5.55	20.5	42.9	6.15	20.9	48.2	7.39	21.6	50.3	7.52	21.9			
	20	50	27.2	2.85	16.8	32.5	3.69	17.2	37.7	4.65	17.5	40.3	5.17	17.7	42.9	5.72	17.9	48.2	6.91	18.3	51.2	7.24	18.5			
		60	27.2	3.23	24.4	32.5	4.19	25.3	37.7	5.28	26.2	40.3	5.88	26.6	42.9	6.51	27.1	47.8	7.75	28.0	48.9	7.81	28.1			
		96	27.2	3.17	23.6	32.5	4.11	24.4	37.7	5.19	25.1	40.3	5.77	25.5	42.9	6.39	25.9	48.0	7.68	26.7	49.2	7.73	26.8			
	25	50	27.2	3.02	22.3	32.5	3.91	22.7	37.7	4.93	23.2	40.3	5.48	23.4	42.9	6.06	23.7	48.0	7.32	24.1	49.8	7.52	24.3			
		60	27.2	2.96	21.8	32.5	3.84	22.2	37.7	4.83	22.5	40.3	5.37	22.7	42.9	5.95	22.9	48.2	7.18	23.3	50.0	7.44	23.4			
		96	27.2	3.78	29.4	32.5	4.92	30.4	37.7	6.23	31.3	40.3	6.94	31.8	42.9	7.69	32.3	46.4	8.62	32.9	47.5	8.69	33.1			
30	50	27.2	3.71	28.7	32.5	4.83	29.5	37.7	6.11	30.2	40.3	6.80	30.6	42.9	7.54	31.0	46.6	8.54	31.6	47.7	8.60	31.7				
	60	27.2	3.53	27.3	32.5	4.59	27.8	37.7	5.80	28.2	40.3	6.46	28.5	42.9	7.16	28.7	47.2	8.30	29.1	48.3	8.37	29.2				
	96	27.2	3.47	26.8	32.5	4.51	27.2	37.7	5.69	27.6	40.3	6.33	27.8	42.9	7.01	28.0	47.4	8.22	28.3	48.5	8.28	28.4				
35	50	27.2	4.45	34.5	32.5	5.81	35.5	37.7	7.37	36.5	40.3	8.22	37.0	42.9	9.12	37.5	44.8	9.50	37.8	45.8	9.57	37.9				
	60	27.2	4.37	33.8	32.5	5.70	34.6	37.7	7.23	35.4	40.3	8.06	35.8	42.9	8.94	36.2	45.0	9.41	36.5	46.0	9.47	36.6				
	96	27.2	4.15	32.3	32.5	5.42	32.8	37.7	6.86	33.3	40.3	7.65	33.6	42.9	8.48	33.8	45.5	9.15	34.1	46.6	9.22	34.2				
40	50	27.2	4.08	31.9	32.5	5.32	32.3	37.7	6.73	32.7	40.3	7.50	32.9	42.9	8.32	33.1	45.7	9.05	33.3	46.8	9.12	33.3				
	60	27.2	5.27	39.7	32.5	6.92	40.6	37.7	8.80	41.7	40.3	9.83	42.2	41.8	10.3	42.5	42.8	10.4	42.6	43.7	10.5	42.8				
	96	27.2	5.17	38.9	32.5	6.79	39.7	37.7	8.63	40.5	40.3	9.64	41.0	41.9	10.2	41.2	43.0	10.3	41.4	43.9	10.4	41.5				
45	50	27.2	4.92	37.4	32.5	6.45	37.9	37.7	8.19	38.4	40.3	9.14	38.7	42.5	9.92	38.9	43.6	10.0	39.0	44.5	10.1	39.1				
	60	27.2	4.83	36.9	32.5	6.32	37.3	37.7	8.03	37.7	40.3	8.96	37.9	42.7	9.81	38.1	43.8	9.90	38.2	44.7	9.97	38.3				
	96	27.2	6.33	44.8	30.7	7.54	45.5	31.7	7.62	45.6	32.1	7.65	45.7	32.5	7.68	45.8	33.0	7.71	45.8	33.4	7.72	45.9				
80	10	50	27.2	6.18	44.0	32.2	8.14	44.8	33.3	8.23	45.0	33.8	8.26	45.0	34.2	8.30	45.1	34.9	8.34	45.2	35.4	8.36	45.2			
		60	27.2	5.41	42.4	32.5	7.15	43.0	37.7	9.13	43.5	38.4	9.25	43.6	39.0	9.30	43.6	39.9	9.37	43.7	40.7	9.42	43.7			
		96	27.2	5.24	41.9	32.5	6.91	42.4	37.7	8.83	42.8	38.7	9.10	42.9	39.3	9.14	42.9	40.2	9.21	43.0	41.0	9.27	43.0			
	15	50	21.4	4.80	48.8	22.0	4.83	48.9	22.3	4.83	48.9	22.4	4.82	48.9	22.3	4.80	48.9	22.0	4.74	48.8	21.4	4.64	48.7			
		60	23.2	5.25	48.4	23.3	5.30	48.5	24.4	5.32	48.6	24.6	5.32	48.6	24.6	5.31	48.6	24.6	5.28	48.6	24.2	5.21	48.5			
		96	27.2	6.30	47.5	29.4	6.91	47.7	30.3	6.98	47.8	30.7	7.00	47.8	31.0	7.02	47.8	31.5	7.04	47.9	31.8	7.04	47.9			
	20	50	27.2	6.05	47.0	32.2	7.93	47.4	33.2	8.01	47.5	33.7	8.05	47.5	34.1	8.08	47.5	34.8	8.12	47.6	35.3	8.14	47.6			
		60	24.2	2.54	13.8	28.9	3.27	14.6	33.5	4.09	15.4	35.8	4.54	15.8	38.2	5.01	16.2	42.8	6.03	17.0	47.5	7.14	17.8			
		96	24.2	2.50	13.2	28.9	3.21	13.8	33.5	4.02	14.5	35.8														

# 4 Capacity tables

## 4 - 2 Cooling capacity tables

**RWEYQ16PY1**

TC: Total Capacity: kW ; PI: Power Input: kW (compressor + outdoor fan motor) ; OWT: Outlet Water Temperatur: °C

Combination (%)	Inlet Water Temp. (°C)	Water Volume (l/min)	Indoor air temperature: °CDB																							
			14.0			16.0			18.0			19.0			21.0			22.0			24.0					
			TC	PI	OWT	TC	PI	OWT	TC	PI	OWT	TC	PI	OWT	TC	PI	OWT	TC	PI	OWT	TC	PI	OWT			
70	10	50	21.2	2.12	13.3	25.2	2.70	14.0	29.3	3.35	14.7	31.4	3.70	15.0	33.4	4.07	15.4	37.5	4.87	16.1	41.6	5.74	16.8			
		60	21.2	2.09	12.8	25.2	2.65	13.3	29.3	3.29	13.9	31.4	3.63	14.2	33.4	3.99	14.5	37.5	4.78	15.0	41.6	5.63	15.6			
		96	21.2	1.99	11.7	25.2	2.53	12.1	29.3	3.13	12.4	31.4	3.45	12.6	33.4	3.80	12.8	37.5	4.54	13.1	41.6	5.34	13.5			
		120	21.2	1.96	11.4	25.2	2.48	11.7	29.3	3.07	11.9	31.4	3.39	12.1	33.4	3.73	12.2	37.5	4.45	12.5	41.6	5.24	12.8			
	15	50	21.2	2.20	18.3	25.2	2.79	19.0	29.3	3.46	19.7	31.4	3.83	20.0	33.4	4.21	20.4	37.5	5.04	21.1	41.6	5.94	21.8			
		60	21.2	2.16	17.8	25.2	2.74	18.3	29.3	3.40	18.9	31.4	3.76	19.2	33.4	4.13	19.5	37.5	4.94	20.1	41.6	5.83	20.7			
		96	21.2	2.06	16.7	25.2	2.61	17.1	29.3	3.24	17.4	31.4	3.57	17.6	33.4	3.93	17.8	37.5	4.70	18.1	41.6	5.53	18.5			
		120	21.2	2.02	16.4	25.2	2.56	16.7	29.3	3.18	16.9	31.4	3.51	17.1	33.4	3.86	17.2	37.5	4.61	17.5	41.6	5.43	17.8			
	20	50	21.2	2.28	23.4	25.2	2.90	24.0	29.3	3.60	24.7	31.4	3.98	25.1	33.4	4.38	25.4	37.5	5.24	26.1	41.6	6.18	26.8			
		60	21.2	2.24	22.8	25.2	2.85	23.4	29.3	3.53	23.9	31.4	3.90	24.2	33.4	4.30	24.5	37.5	5.14	25.1	41.6	6.06	25.7			
		96	21.2	2.14	21.7	25.2	2.71	22.1	29.3	3.36	22.4	31.4	3.71	22.6	33.4	4.08	22.8	37.5	4.88	23.2	41.6	5.75	23.5			
		120	21.2	2.10	21.4	25.2	2.66	21.7	29.3	3.30	21.9	31.4	3.64	22.1	33.4	4.01	22.2	37.5	4.79	22.5	41.6	5.64	22.8			
25	50	21.2	2.66	28.4	25.2	3.39	29.1	29.3	4.22	29.8	31.4	4.67	30.2	33.4	5.15	30.5	37.5	6.17	31.3	41.6	7.29	32.0				
	60	21.2	2.61	27.8	25.2	3.33	28.4	29.3	4.14	29.0	31.4	4.59	29.3	33.4	5.05	29.6	37.5	6.05	30.2	41.6	7.15	30.8				
	96	21.2	2.49	26.8	25.2	3.17	27.1	29.3	3.94	27.5	31.4	4.36	27.7	33.4	4.80	27.9	37.5	5.75	28.2	41.6	6.78	28.6				
	120	21.2	2.45	26.4	25.2	3.11	26.7	29.3	3.87	27.0	31.4	4.28	27.1	33.4	4.71	27.3	37.5	5.64	27.6	41.6	6.65	27.9				
30	50	21.2	3.11	33.5	25.2	3.98	34.2	29.3	4.97	34.9	31.4	5.51	35.3	33.4	6.08	35.7	37.5	7.30	36.4	41.6	8.64	37.2				
	60	21.2	3.06	32.9	25.2	3.91	33.5	29.3	4.88	34.1	31.4	5.41	34.4	33.4	5.97	34.7	37.5	7.16	35.3	41.6	8.47	36.0				
	96	21.2	2.91	31.8	25.2	3.72	32.2	29.3	4.64	32.5	31.4	5.14	32.7	33.4	5.67	32.9	37.5	6.80	33.3	41.6	8.04	33.7				
	120	21.2	2.86	31.4	25.2	3.65	31.7	29.3	4.55	32.0	31.4	5.04	32.2	33.4	5.56	32.3	37.5	6.67	32.6	41.6	7.88	33.0				
35	50	21.2	3.66	38.6	25.2	4.71	39.3	29.3	5.91	40.1	31.4	6.56	40.4	33.4	7.24	40.8	37.5	8.71	41.6	41.6	10.3	42.4				
	60	21.2	3.60	38.0	25.2	4.63	38.6	29.3	5.80	39.2	31.4	6.43	39.5	33.4	7.10	39.8	37.5	8.55	40.5	41.6	10.1	41.2				
	96	21.2	3.43	36.8	25.2	4.40	37.2	29.3	5.51	37.6	31.4	6.11	37.8	33.4	6.75	38.0	37.5	8.11	38.4	41.6	9.61	38.8				
	120	21.2	3.36	36.5	25.2	4.32	36.8	29.3	5.40	37.1	31.4	5.99	37.2	33.4	6.62	37.4	37.5	7.95	37.7	41.6	9.42	38.0				
40	50	21.2	4.25	43.6	25.2	5.60	44.4	29.3	7.15	45.2	30.4	7.52	45.4	30.9	7.56	45.5	31.6	7.62	45.6	32.3	7.66	45.7				
	60	21.2	4.18	43.0	25.2	5.49	43.7	29.3	6.98	44.3	31.4	7.79	44.7	32.4	8.16	44.9	33.3	8.22	45.0	34.0	8.28	45.0				
	96	21.2	3.72	41.9	25.2	4.83	42.2	29.3	6.08	42.6	31.4	6.77	42.8	33.4	7.49	43.1	37.5	9.04	43.5	38.7	9.27	43.6				
	120	21.2	3.61	41.5	25.2	4.67	41.8	29.3	5.88	42.1	31.4	6.54	42.3	33.4	7.24	42.4	37.5	8.74	42.8	39.0	9.12	42.9				
45	50	20.3	4.72	48.6	21.1	4.77	48.7	21.7	4.81	48.8	21.9	4.82	48.8	22.1	4.83	48.9	22.3	4.83	48.9	22.3	4.81	48.9				
	60	21.2	4.80	48.1	22.8	5.22	48.3	23.5	5.28	48.4	23.8	5.29	48.5	24.1	5.31	48.6	24.4	5.32	48.6	24.4	5.32	48.6				
	96	21.2	4.21	46.9	25.2	5.57	47.3	28.8	6.86	47.7	29.2	6.89	47.7	29.6	6.92	47.7	30.3	6.97	47.8	30.9	7.01	47.8				
	120	21.2	4.09	46.5	25.2	5.37	46.8	28.3	6.83	47.2	21.4	7.63	47.3	32.4	7.94	47.4	33.2	8.01	47.5	33.9	8.06	47.5				
60	10	50	18.14	1.75	12.9	21.6	2.19	13.4	25.1	2.68	14.0	26.9	2.95	14.3	28.6	3.23	14.6	32.1	3.84	15.2	35.6	4.49	15.8			
		60	18.14	1.72	12.4	21.6	2.15	12.8	25.1	2.63	13.3	26.9	2.90	13.6	28.6	3.17	13.8	32.1	3.77	14.3	35.6	4.41	14.8			
		96	18.14	1.64	11.5	21.6	2.05	11.8	25.1	2.51	12.1	26.9	2.76	12.2	28.6	3.02	12.4	32.1	3.58	12.7	35.6	4.19	13.0			
		120	18.14	1.61	11.2	21.6	2.01	11.4	25.1	2.46	11.6	26.9	2.71	11.8	28.6	2.96	11.9	32.1	3.51	12.1	35.6	4.11	12.4			
	15	50	18.14	1.81	17.9	21.6	2.26	18.4	25.1	2.77	19.0	26.9	3.05	19.3	28.6	3.34	19.6	32.1	3.97	20.2	35.6	4.65	20.8			
		60	18.14	1.78	17.4	21.6	2.22	17.9	25.1	2.73	18.3	26.9	3.00	18.6	28.6	3.28	18.8	32.1	3.90	19.3	35.6	4.57	19.8			
		96	18.14	1.70	16.5	21.6	2.12	16.8	25.1	2.60	17.1	26.9	2.85	17.2	28.6	3.13	17.4	32.1	3.71	17.7	35.6	4.34	18.0			
		120	18.14	1.67	16.2	21.6	2.08	16.4	25.1	2.55	16.7	26.9	2.80	16.8	28.6	3.07	16.9	32.1	3.64	17.1	35.6	4.26	17.4			
	20	50	18.1	1.87	22.9	21.6	2.35	23.4	25.1	2.88	24.0	26.9	3.17	24.3	28.6	3.47	24.6	32.1	4.12	25.2	35.6	4.83	25.8			
		60	18.1	1.84	22.4	21.6	2.31	22.9	25.1	2.83	23.3	26.9	3.11	23.6	28.6	3.41	23.8	32.1	4.05	24.3	35.6	4.74	24.8			
		96	18.1	1.76	21.5	21.6	2.20	21.8	25.1	2.69	22.1	26.9	2.96	22.2	28.6	3.24	22.4	32.1	3.85	22.7	35.6	4.51	23.0			
		120	18.1	1.73	21.2	21.6	2.16	21.4	25.1	2.65	21.7	26.9	2.91	21.8	28.6	3.18	21.9	32.1	3.78	22.1	35.6	4.42	22.4			
25	50	18.1	2.18	27.9	21.6	2.74	28.5	25.1	3.37	29.1	26.9	3.71	29.4	28.6	4.07	29.7	32.1	4.85	30.3	35.6	5.69	30.9				
	60	18.1	2.14	27.4	21.6	2.69	27.9	25.1	3.31	28.4	26.9	3.65	28.6	28.6	4.00	28.9	32.1	4.76	29.4	35.6	5.58	29.9				
	96	18.1	2.04	26.5	21.6	2.57	26.8	25.1	3.15	27.1	26.9	3.47	27.3	28.6	3.81	27.4	32.1	4.52	27.7	35.6	5.31	28.1				
	120	18.1	2.01	26.2	21.6	2.52	26.4	25.1	3.09	26.7	26.9	3.41	26.8	28.6	3.73	26.9	32.1	4.44	27.2	35.6	5.20	27.4				
30	50	18.1	2.54	33.0	21.6	3.21	33.6	25.1	3.96	34.2	26.9	4.37	34.5	28.6	4.80	34.8	32.1	5.72	35.4	35.6	6.73	36.1				
	60	18.1	2.49	32.5	21.6	3.15	33.0	25.1	3.89	33.5	26.9	4.29	33.7	28.6	4.71	34.0	32.1	5.61	34.5	35.6	6.60	35.0				
	96	18.1	2.38	31.5	21.6	3.00	31.8	25.1	3.70	32.2	26.9	4.08	32.3	28.6	4.48	32.5	32.1	5.34	32.8	35.6	6.27	33.1				
	120	18.1	2.34	31.2	21.6	2.95	31.5	25.1	3.63	31.7	26.9	4.00	31.8	28.6	4.39	32.0	32.1	5.23	32.2	35.6	6.15	32.5				
35	50	18.1	2.97	38.0	21.6	3.78	38.6	25.1	4.68	39.3	26.9	5.18	39.6	28.6	5.69	39.9	32.1	6.81	40.6	35.6	8.03	41.3				
	60	18.1	2.92	37.5	21.6	3.71	38.0	25.1	4.60	38.6	26.9	5.08	38.8	28.6	5.59	39.1	32.1	6.68	39.6	35.6	7.87	40.2				
	96	18.1	2.79	36.6	21.6	3.53	36.9	25.1	4.38	37.2	26.9	4.83	37.4	28.6	5.31	37.5	32.1	6.35	37.9	35.6	7.47	38.2				
	120	18.1	2.74	36.2	21.6	3.47	36.5	25.1	4.29	36.8	26.9	4.74	36.9	28.6	5.21	37.0	32.1	6.22	37.3	35.6	7.33	37.6				
40	50	18.1	3.37	43.1	21.6	4.40	43.7	25.1	5.56	44.4	26.9	6.20	44.7	28.6	6.87	45.1	30.6	7.54	45.5	31.3	7.59	45.				

# 4 Capacity tables

## 4 - 2 Cooling capacity tables

### RWEYQ18PY1

TC: Total Capacity: kW ; PI: Power Input: kW (compressor + outdoor fan motor) ; OWT: Outlet Water Temperatur: °C

Combination (%)	Inlet Water Temp. (°C)	Water Volume L/min	Indoor air temperature: °CDB																							
			14.0			16.0			18.0			19.0			20.0			22.0			24.0					
			TC	PI	OWT	TC	PI	OWT	TC	PI	OWT	TC	PI	OWT	TC	PI	OWT	TC	PI	OWT	TC	PI	OWT			
130	10	50	43.1	6.10	17.1	51.4	8.12	18.5	56.1	8.59	19.3	57.0	8.63	19.4	57.7	8.66	19.5	59.0	8.72	19.7	60.0	8.75	19.9			
		60	43.1	5.99	15.9	51.4	7.97	17.1	56.4	8.50	17.8	57.2	8.54	17.9	58.0	8.58	18.0	59.3	8.63	18.1	60.3	8.66	18.2			
		96	43.1	5.69	13.6	51.4	7.56	14.4	57.1	8.27	14.9	57.9	8.31	14.9	58.7	8.35	15.0	60.1	8.40	15.1	61.1	8.43	15.2			
		120	43.1	5.58	12.9	51.4	7.41	13.5	57.4	8.19	13.9	58.2	8.22	14.0	59.0	8.26	14.0	60.4	8.31	14.1	61.4	8.35	14.2			
	15	50	43.1	6.32	22.1	51.4	8.41	23.6	55.1	8.84	24.2	55.9	8.88	24.3	56.7	8.92	24.4	57.9	8.97	24.6	58.9	9.00	24.7			
		60	43.1	6.20	20.9	51.4	8.25	22.1	55.4	8.75	22.7	56.2	8.79	22.8	56.9	8.83	22.9	58.2	8.88	23.0	59.2	8.92	23.1			
		96	43.1	5.89	18.7	51.4	7.83	19.4	56.1	8.52	19.8	56.9	8.56	19.9	57.7	8.59	19.9	59.0	8.64	20.0	60.0	8.68	20.1			
		120	43.1	5.77	17.9	51.4	7.67	18.5	56.3	8.43	18.9	57.2	8.47	18.9	57.9	8.50	19.0	59.2	8.55	19.0	60.3	8.59	19.1			
	20	50	43.1	6.57	27.1	51.4	8.75	28.6	53.9	9.10	29.0	54.6	9.14	29.1	55.3	9.17	29.2	56.5	9.23	29.4	57.3	9.26	29.5			
		60	43.1	6.44	25.9	51.4	8.58	27.2	54.1	9.01	27.5	54.9	9.05	27.6	55.6	9.08	27.7	56.7	9.14	27.9	57.6	9.17	28.0			
		96	43.1	6.12	23.7	51.4	8.14	24.4	54.8	8.76	24.7	55.6	8.80	24.8	56.3	8.84	24.9	57.5	8.89	25.0	58.4	8.92	25.0			
		120	43.1	6.00	22.9	51.4	7.98	23.5	55.0	8.67	23.8	55.8	8.71	23.9	56.5	8.74	23.9	57.8	8.80	24.0	58.7	8.83	24.0			
25	50	43.1	7.74	32.3	50.6	10.0	33.7	52.3	10.1	33.9	53.0	10.2	34.1	53.6	10.2	34.1	54.7	10.2	34.3	55.4	10.3	34.4				
	60	43.1	7.59	31.1	50.8	9.91	32.3	52.5	10.0	32.5	53.2	10.1	32.6	53.9	10.1	32.6	55.0	10.1	32.8	55.7	10.2	32.9				
	96	43.1	7.21	28.8	51.4	9.61	29.6	53.2	10.4	29.7	53.9	9.78	29.8	54.6	9.82	29.8	55.7	9.88	29.9	56.5	9.91	30.0				
	120	43.1	7.07	28.0	51.4	9.42	28.6	53.4	9.64	28.8	54.2	9.68	28.8	54.8	9.72	28.9	56.0	9.77	28.9	56.8	9.80	29.0				
30	50	43.1	9.17	37.5	48.8	11.0	38.6	50.4	11.1	38.8	51.0	11.2	38.9	51.6	11.2	39.0	52.5	11.3	39.1	53.1	11.3	39.2				
	60	43.1	8.99	36.2	49.0	10.9	37.2	50.6	11.0	37.4	51.3	11.1	37.4	51.9	11.1	37.5	52.8	11.2	37.6	53.4	11.2	37.7				
	96	43.1	8.54	33.9	49.6	10.6	34.5	51.2	10.7	34.6	51.9	10.8	34.7	52.5	10.8	34.8	53.5	10.9	34.8	54.2	10.9	34.9				
	120	43.1	8.37	33.1	49.8	10.5	33.6	51.5	10.6	33.7	52.2	10.7	33.8	52.8	10.7	33.8	53.8	10.8	33.9	54.5	10.8	33.9				
35	50	43.1	11.0	42.7	46.7	12.1	43.4	48.1	12.2	43.6	48.7	12.2	43.7	49.2	12.2	43.8	50.0	12.3	43.8	50.4	12.3	44.0				
	60	43.1	10.7	41.4	46.9	11.9	42.0	48.3	12.1	42.2	48.9	12.1	42.3	49.5	12.1	42.4	50.2	12.2	42.5	50.7	12.2	42.5				
	96	43.1	10.2	39.0	47.5	11.6	39.4	49.0	11.7	39.5	49.6	11.8	39.6	50.1	11.8	39.6	51.0	11.8	39.7	51.4	11.8	39.7				
	120	43.1	9.99	38.2	47.1	11.5	38.5	49.2	11.6	38.6	49.8	11.6	38.7	50.4	11.7	38.7	51.2	11.7	38.8	51.7	11.7	38.8				
40	50	35.0	8.88	46.3	36.7	8.95	46.5	36.7	8.97	46.5	36.8	8.96	46.6	36.8	8.96	46.6	36.8	8.96	46.6	36.8	8.96	46.6				
	60	36.8	9.59	45.5	38.1	9.69	45.7	38.9	9.73	45.8	39.1	9.73	45.8	39.2	9.71	45.8	39.1	9.65	45.8	38.6	9.53	45.7				
	96	41.9	10.7	43.9	43.5	10.9	44.1	44.7	11.0	44.2	45.2	11.0	44.2	45.6	11.0	44.2	46.1	11.0	44.3	46.2	11.0	44.3				
	120	42.2	10.6	43.2	43.9	10.7	43.3	45.1	10.8	43.3	45.6	10.8	43.4	46.0	10.8	43.4	46.5	10.8	43.4	46.7	10.8	43.4				
45	50	24.5	5.61	49.3	24.2	5.53	49.3	23.2	5.37	49.3	22.5	5.26	49.0	21.5	5.13	48.8	19.1	4.82	48.4	16.0	4.42	47.9				
	60	26.9	6.19	49.0	27.0	6.15	49.0	26.4	6.04	48.9	25.9	5.96	48.8	25.3	5.86	48.7	23.4	5.61	48.5	21.0	5.29	48.1				
	96	33.5	8.13	48.1	34.4	8.18	48.2	34.9	8.18	48.2	34.9	8.15	48.2	34.8	8.12	48.2	34.2	8.00	48.2	33.2	7.83	48.1				
	120	36.7	9.34	47.8	38.0	9.43	47.8	38.7	9.47	47.9	39.0	9.47	47.9	39.1	9.45	47.9	39.0	9.39	47.9	38.4	9.27	47.9				
120	10	50	39.8	5.38	16.5	47.4	7.12	17.8	55.1	8.54	19.1	56.0	8.58	19.3	56.8	8.62	19.4	58.1	8.68	19.6	59.3	8.73	19.7			
		60	39.8	5.28	15.4	47.4	6.99	16.5	55.1	8.44	17.6	56.2	8.50	17.7	57.0	8.53	17.8	58.4	8.60	18.0	59.5	8.64	18.1			
		96	39.8	5.01	13.3	47.4	6.63	14.0	55.1	8.16	14.7	56.9	8.27	14.9	57.7	8.30	14.9	59.1	8.36	15.0	60.3	8.41	15.1			
		120	39.8	4.92	12.7	47.4	6.50	13.2	55.1	8.06	13.8	57.2	8.18	13.9	58.0	8.21	14.0	59.4	8.28	14.0	60.6	8.32	14.1			
	15	50	39.8	5.57	21.5	47.4	7.38	22.9	54.2	8.79	24.0	55.0	8.83	24.1	55.7	8.87	24.3	57.1	8.94	24.5	58.1	8.98	24.6			
		60	39.8	5.46	20.4	47.4	7.24	21.5	54.4	8.70	22.5	55.2	8.75	22.6	56.0	8.78	22.7	57.3	8.85	22.9	58.4	8.89	23.0			
		96	39.8	5.19	18.4	47.4	6.87	19.1	55.1	8.47	19.7	55.9	8.51	19.8	56.7	8.55	19.9	58.1	8.61	20.0	59.2	8.65	20.1			
		120	39.8	5.09	17.7	47.4	6.73	18.2	55.1	8.36	18.8	56.2	8.42	18.9	57.0	8.46	18.9	58.3	8.52	19.0	59.5	8.56	19.1			
	20	50	39.8	5.79	26.5	47.4	7.67	27.9	52.9	9.04	28.9	53.7	9.09	29.0	54.4	9.13	29.1	55.7	9.19	29.3	56.7	9.24	29.4			
		60	39.8	5.68	25.4	47.4	7.52	26.6	53.2	8.95	27.4	54.0	9.00	27.5	54.7	9.04	27.6	55.9	9.10	27.8	57.0	9.14	27.9			
		96	39.8	5.39	23.4	47.4	7.14	24.1	53.8	8.71	24.7	54.6	8.75	24.7	55.4	8.79	24.8	56.7	8.85	24.9	57.7	8.90	25.0			
		120	39.8	5.29	22.7	47.4	7.00	23.3	54.1	8.62	23.7	54.9	8.66	23.8	55.6	8.70	23.8	56.9	8.76	23.9	58.0	8.81	24.0			
25	50	39.8	6.81	31.7	47.4	9.05	33.1	51.4	10.1	33.8	52.1	10.1	33.9	52.8	10.1	34.0	54.0	10.2	34.2	54.9	10.3	34.3				
	60	39.8	6.68	30.5	47.4	8.88	31.7	51.6	9.96	32.4	52.4	10.0	32.5	53.1	10.0	32.5	54.2	10.1	32.7	55.2	10.2	32.8				
	96	39.8	6.35	28.4	47.4	8.42	29.2	52.2	9.69	29.6	53.0	9.73	29.7	53.7	9.77	29.7	54.9	9.84	29.8	55.9	9.88	29.9				
	120	39.8	6.23	27.7	47.4	8.26	28.3	52.5	9.58	28.7	53.3	9.63	28.8	54.0	9.67	28.8	55.2	9.74	28.9	56.2	9.78	28.9				
30	50	39.8	8.06	36.9	47.4	10.7	38.3	49.5	11.1	38.7	50.2	11.1	38.8	50.9	11.2	38.9	51.9	11.2	39.1	52.7	11.3	39.2				
	60	39.8	7.91	35.7	47.4	10.5	36.9	49.7	11.0	37.3	50.5	11.0	37.3	51.1	11.1	37.4	52.2	11.1	37.6	53.0	11.2	37.7				
	96	39.8	7.51	33.5	47.4	9.99	34.3	50.4	10.7	34.6	51.1	10.7	34.6	51.8	10.8	34.7	52.9	10.8	34.8	53.7	10.9	34.8				
	120	39.8	7.36	32.8	47.4	9.79	33.4	50.6	10.6	33.7	51.3	10.6	33.7	52.0	10.6	33.7	53.1	10.7	33.8	54.0	10.8	33.9				
35	50	39.8	9.61	42.1	45.8	12.0	43.3	47.3	12.1	43.5	48.0	12.2	43.6	48.6	12.2	43.7	49.5	12.3	43.9	50.1	12.3	43.9				
	60	39.8	9.43	40.9	46.1	11.9	41.9	47.6	12.0	42.1	48.2	12.0	42.2	48.8	12.1	42.3	49.7	12.1	42.4	50.4	12.2	42.5				
	96	39.8	8.95	38.6	46.6	11.5	39.3	48.2	11.7	39.5	48.8	11.7	39.5	49.4	11.8	39.6	50.4	11.8	39.6	51.1	11.8	39.7				
	120	39.8	8.78	37.9	46.8	11.4	38.5	48.4	11.5	38.6	49.1	11.6	38.6	49.7	11.6	38.7	50.7	11.7	38.7	51.4	11.7	38.8				
40	50	34.4	6.84	46.2	35.6	6.93	46.4	36.4	6.97	46.5	36.6	6.97	46.5	36.8	6.96	46.6										



# 4 Capacity tables

## 4 - 2 Cooling capacity tables

**RWEYQ18PY1**

TC: Total Capacity: kW ; PI: Power Input: kW (compressor + outdoor fan motor) ; OWT: Outlet Water Temperatur: °C

Combination (%)	Inlet Water Temp. (°C)	Water Volume (L/min)	Indoor air temperature: °CDB																							
			14.0			16.0			18.0			19.0			20.0			22.0			24.0					
			TC	PI	OWT	TC	PI	OWT	TC	PI	OWT	TC	PI	OWT	TC	PI	OWT	TC	PI	OWT	TC	PI	OWT			
100	10	50	33.1	4.07	15.3	39.5	5.33	16.4	45.9	6.76	17.5	49.1	7.54	18.1	52.3	8.36	18.7	55.9	8.58	19.2	57.2	8.64	19.4			
		60	33.1	4.00	14.4	39.5	5.23	15.3	45.9	6.63	16.3	49.1	7.39	16.7	52.3	8.20	17.2	56.2	8.49	17.7	57.5	8.55	17.9			
		96	33.1	3.80	12.8	39.5	4.97	13.3	45.9	6.29	13.9	49.1	7.02	14.2	52.3	7.78	14.5	56.9	8.26	14.9	58.2	8.32	15.0			
	15	50	33.1	4.21	20.4	39.5	5.51	21.5	45.9	7.00	22.6	49.1	7.81	23.2	52.3	8.66	23.7	54.9	8.83	24.1	56.2	8.89	24.3			
		60	33.1	4.14	19.5	39.5	5.41	20.4	45.9	6.86	21.3	49.1	7.66	21.8	52.3	8.49	22.3	55.2	8.74	22.6	56.4	8.81	22.8			
		96	33.1	3.94	17.8	39.5	5.14	18.3	45.9	6.52	18.9	49.1	7.27	19.2	52.3	8.06	19.5	55.9	8.51	19.8	57.1	8.57	19.9			
	20	50	33.1	4.38	25.4	39.5	5.73	26.5	45.9	7.27	27.6	49.1	8.12	28.2	52.3	9.01	28.8	53.7	9.09	29.0	54.8	9.15	29.2			
		60	33.1	4.30	24.5	39.5	5.62	25.4	45.9	7.13	26.3	49.1	7.96	26.8	52.3	8.83	27.3	53.9	8.99	27.5	55.1	9.06	27.7			
		96	33.1	4.09	22.8	39.5	5.34	23.4	45.9	6.77	23.9	49.1	7.55	24.2	52.3	8.38	24.5	54.6	8.75	24.7	55.8	8.81	24.8			
	25	50	33.1	5.14	30.5	39.5	6.75	31.6	45.9	8.58	32.8	49.1	9.58	33.4	50.8	10.0	33.7	52.1	10.1	33.9	53.2	10.2	34.1			
		60	33.1	5.05	29.6	39.5	6.62	30.5	45.9	8.42	31.5	49.1	9.40	32.0	51.0	9.92	32.3	52.3	10.0	32.9	53.4	10.1	32.6			
		96	33.1	4.80	27.8	39.5	6.29	28.4	45.9	7.99	29.0	49.1	8.92	29.3	51.6	9.65	29.6	53.0	9.73	29.7	54.1	9.80	29.8			
30	50	33.1	6.06	35.6	39.5	7.98	36.8	45.9	10.2	38.0	48.3	11.0	38.5	49.0	11.0	38.6	50.2	11.1	38.8	51.2	11.2	38.9				
	60	33.1	5.95	34.7	39.5	7.83	35.7	45.9	9.98	36.7	48.5	10.9	37.1	49.2	10.9	37.2	50.4	11.0	37.3	51.5	11.1	37.5				
	96	33.1	5.65	32.9	39.5	7.43	33.5	45.9	9.47	34.1	49.1	10.6	34.5	49.8	10.6	34.5	51.1	10.7	34.6	52.1	10.8	34.7				
35	50	33.1	7.20	40.8	39.5	9.52	42.0	45.9	12.0	43.2	46.2	12.0	43.3	46.8	12.1	43.4	48.0	12.2	43.6	48.9	12.2	43.8				
	60	33.1	7.07	39.8	39.5	9.34	40.8	45.9	11.8	41.9	46.4	11.9	42.0	47.0	11.9	42.0	48.2	12.0	42.2	49.1	12.1	42.3				
	96	33.1	6.72	38.0	39.5	8.86	38.6	45.9	11.3	39.3	47.0	11.6	39.4	47.6	11.6	39.4	48.8	11.7	39.5	49.8	11.8	39.6				
40	50	33.1	8.72	46.0	34.4	8.83	46.2	35.4	8.91	46.4	35.8	8.94	46.4	36.2	8.96	46.5	36.6	8.97	46.6	36.8	8.95	46.7				
	60	33.1	8.53	45.0	36.2	9.54	45.5	37.3	9.63	45.6	37.8	9.67	45.7	38.2	9.69	45.7	38.8	9.72	45.8	39.1	9.72	45.8				
	96	33.1	7.42	43.0	39.5	9.87	43.7	42.5	10.8	44.0	43.1	10.8	44.0	43.6	10.9	44.1	44.6	11.0	44.1	45.3	11.0	44.2				
45	50	23.9	5.60	49.2	24.4	5.62	49.3	24.5	5.59	49.3	24.4	5.56	49.3	24.1	5.51	49.3	23.4	5.39	49.1	22.2	5.22	48.9				
	60	23.9	6.14	48.8	26.6	6.18	48.9	27.0	6.18	49.0	27.0	6.17	49.0	27.0	6.14	49.0	26.5	6.06	48.9	25.7	5.93	48.8				
	96	31.8	7.99	48.0	33.0	8.09	48.1	33.9	8.15	48.1	34.2	8.17	48.2	34.5	8.18	48.2	34.8	8.18	48.2	34.9	8.15	48.2				
90	10	50	29.8	3.49	14.8	35.6	4.53	15.7	41.3	5.71	16.7	44.2	6.36	17.2	47.1	7.04	17.8	52.8	8.40	18.8	55.9	8.58	19.2			
		60	29.8	3.43	14.0	35.6	4.45	14.8	41.3	5.60	15.6	44.2	6.24	16.0	47.1	6.90	16.4	52.8	8.30	17.3	56.2	8.49	17.7			
		96	29.8	3.26	12.5	35.6	4.23	13.0	41.3	5.32	13.5	44.2	5.92	13.7	47.1	6.55	14.0	52.8	7.91	14.5	56.9	8.26	14.9			
15	50	29.8	3.61	19.8	35.6	4.69	20.8	41.3	5.91	21.8	44.2	6.58	22.3	47.1	7.28	22.8	52.8	8.70	23.8	54.9	8.83	24.1				
	60	29.8	3.55	19.0	35.6	4.60	19.8	41.3	5.80	20.6	44.2	6.46	21.1	47.1	7.15	21.5	52.8	8.59	22.3	55.2	8.74	22.6				
	96	29.8	3.38	17.5	35.6	4.38	18.0	41.3	5.51	18.5	44.2	6.13	18.8	47.1	6.78	19.0	52.8	8.19	19.6	55.9	8.50	19.8				
20	50	29.8	3.31	17.0	35.6	4.29	17.4	41.3	5.40	17.8	44.2	6.01	18.0	47.1	6.65	18.2	52.8	8.03	18.6	56.1	8.41	18.9				
	60	29.8	3.75	24.8	35.6	4.87	25.8	41.3	6.14	26.8	44.2	6.84	27.3	47.1	7.57	27.8	52.4	9.01	28.8	53.6	9.08	29.0				
	96	29.8	3.68	24.0	35.6	4.78	24.8	41.3	6.03	25.7	44.2	6.71	26.1	47.1	7.43	26.5	52.7	8.92	27.4	53.9	8.99	27.5				
25	50	29.8	3.51	22.5	35.6	4.55	23.0	41.3	5.73	23.5	44.2	6.37	23.8	47.1	7.05	24.0	52.8	8.52	24.6	54.5	8.75	24.7				
	60	29.8	3.44	22.0	35.6	4.46	22.4	41.3	5.62	22.8	44.2	6.25	23.0	47.1	6.91	23.2	52.8	8.35	23.7	54.8	8.65	23.8				
	96	29.8	4.40	29.9	35.6	5.73	30.9	41.3	7.24	32.0	44.2	8.07	32.5	47.1	8.94	33.0	50.9	10.0	33.7	52.0	10.1	33.9				
30	50	29.8	4.32	29.1	35.6	5.62	29.9	41.3	7.10	30.8	44.2	7.91	31.2	47.1	8.77	31.7	51.1	9.93	32.3	52.3	10.0	32.4				
	60	29.8	4.11	27.5	35.6	5.34	28.1	41.3	6.74	28.6	44.2	7.51	28.9	47.1	8.32	29.1	51.8	9.66	29.6	52.9	9.73	29.7				
	96	29.8	4.03	27.0	35.6	5.24	27.4	41.3	6.61	27.9	44.2	7.36	28.1	47.1	8.16	28.3	52.0	9.55	28.7	53.2	9.62	28.8				
35	50	29.8	5.17	35.0	35.6	6.76	36.1	41.3	8.57	37.2	44.2	9.56	37.7	47.1	10.6	38.3	49.1	11.0	38.6	50.2	11.1	38.8				
	60	29.8	5.08	34.2	35.6	6.63	35.0	41.3	8.41	35.9	44.2	9.37	36.4	47.1	10.4	36.9	49.3	10.9	37.2	50.4	11.0	37.3				
	96	29.8	4.83	32.6	35.6	6.30	33.1	41.3	7.98	33.7	44.2	8.90	34.0	47.1	9.86	34.3	49.9	10.6	34.5	51.0	10.7	34.6				
40	50	29.8	4.74	32.1	35.6	6.18	32.5	41.3	7.82	32.9	44.2	8.72	33.2	47.1	9.67	33.4	50.1	10.5	33.6	51.3	10.6	33.7				
	60	29.8	6.13	40.2	35.6	8.04	41.3	41.3	10.2	42.4	44.2	11.4	43.0	45.8	12.0	43.3	46.9	12.1	43.5	47.9	12.2	43.6				
	96	29.8	6.02	39.3	35.6	7.89	40.2	41.3	10.0	41.1	44.2	11.2	41.6	46.0	11.9	41.9	47.1	12.0	42.1	48.2	12.0	42.2				
45	50	29.8	5.72	37.7	35.6	7.50	38.2	41.3	9.52	38.8	44.2	10.6	39.1	46.5	11.5	39.3	47.7	11.6	39.4	48.8	11.7	39.5				
	60	29.8	5.61	37.1	35.6	7.35	37.6	41.3	9.34	38.0	44.2	10.4	38.3	46.8	11.4	38.5	48.0	11.5	38.6	49.0	11.6	38.6				
	96	29.8	7.35	45.3	33.6	8.77	46.1	34.7	8.86	46.2	35.2	8.90	46.3	35.6	8.92	46.4	36.2	8.96	46.5	36.6	8.97	46.5				
80	10	50	29.8	7.19	44.4	35.3	9.46	45.4	36.5	9.57	45.5	37.0	9.61	45.6	37.5	9.64	45.6	38.2	9.70	45.7	38.8	9.72	45.8			
		60	29.8	6.29	42.7	35.6	8.31	43.3	41.3	10.6	43.9	42.1	10.8	43.9	42.7	10.8	44.0	43.7	10.9	44.1	44.6	11.0	44.1			
		96	29.8	6.09	42.1	35.6	8.04	42.6	41.3	10.3	43.1	42.5	10.6	43.2	43.1	10.6	43.2	44.1	10.7	43.3	45.0	10.8	43.3			
15	50	23.5	5.58	49.2	24.1	5.61	49.3	24.5	5.62	49.3	24.5	5.60	49.3	24.5	5.58	49.3	24.1	5.51	49.2	23.4	5.39	49.1				
	60	25.4	6.11	48.8	26.2	6.16	48.9	26.8	6.19	48.9	26.9	6.19	49.0	27.0	6.18	49.0	26.9	6.14	49.0	26.6	6.06	48.9				
	96	29.8	7.32	47.8	32.2	8.03	48.0	33.3	8.11	48.1	33.7	8.14	48.1	34.0	8.16	48.1	34.5	8.18	48.2	34.8	8.18	48.2				
20	50	29.8	7.04	47.2	35.2	9.21	47.7	36.4	9.31	47.7	36.9	9.35	47.8	37.4	9.39	47.8	38.1	9.44	47.8	38.7	9.47	47.9				
	60	26.5	2.96	14.2	31.6	3.80	15.1	36.7	4.76	15.9	39.3	5.28	16.4	41.8	5.82	16.8	46.9	7.01	17.7	52.1	8.30	18.7				
	96	26.5	2.90	13.5	31.6	3.73	14.2	36.7	4.67	14.9	39.3	5.18	15.3	41.8	5.72	15.7	46.9	6.87								

# 4 Capacity tables

## 4 - 2 Cooling capacity tables

### RWEYQ18PY1

TC: Total Capacity: kW ; PI: Power Input: kW (compressor + outdoor fan motor) ; OWT: Outlet Water Temperatur: °C

Combination (%)	Inlet Water Temp. (°C)	Water Volume L/min	Indoor air temperature: °CDB																							
			14.0			16.0			18.0			19.0			21.0			22.0			24.0					
			TC	PI	OWT	TC	PI	OWT	TC	PI	OWT	TC	PI	OWT	TC	PI	OWT	TC	PI	OWT	TC	PI	OWT			
70	10	50	23.2	2.47	13.7	27.7	3.14	14.4	32.1	3.89	15.2	34.4	4.30	15.5	36.6	4.73	15.9	41.1	5.66	16.7	45.5	6.67	17.5			
		60	23.2	2.43	13.1	27.7	3.08	13.7	32.1	3.82	14.3	34.4	4.22	14.6	36.6	4.64	14.9	41.1	5.55	15.6	45.5	6.54	16.2			
		96	23.2	2.32	11.9	27.7	2.94	12.3	32.1	3.64	12.7	34.4	4.02	12.9	36.6	4.42	13.1	41.1	5.27	13.5	45.5	6.21	13.9			
	15	50	23.2	2.27	11.5	27.7	2.88	11.8	32.1	3.57	12.1	34.4	3.94	12.3	36.6	4.33	12.4	41.1	5.17	12.8	45.5	6.09	13.1			
		60	23.2	2.55	18.7	27.7	3.25	19.4	32.1	4.03	20.2	34.4	4.45	20.6	36.6	4.90	20.9	41.1	5.86	21.7	45.5	6.91	22.5			
		96	23.2	2.51	18.1	27.7	3.19	18.7	32.1	3.95	19.3	34.4	4.37	19.6	36.6	4.81	19.9	41.1	5.75	20.6	45.5	6.78	21.3			
	20	50	23.2	2.39	16.9	27.7	3.04	17.3	32.1	3.76	17.7	34.4	4.16	17.9	36.6	4.57	18.1	41.1	5.46	18.5	45.5	6.43	18.9			
		60	23.2	2.35	16.5	27.7	2.98	16.8	32.1	3.69	17.1	34.4	4.08	17.3	36.6	4.48	17.5	41.1	5.36	17.8	45.5	6.31	18.1			
		96	23.2	2.65	23.7	27.7	3.37	24.4	32.1	4.18	25.2	34.4	4.62	25.6	36.6	5.09	26.0	41.1	6.09	26.8	45.5	7.18	27.6			
	25	50	23.2	2.60	23.1	27.7	3.31	23.7	32.1	4.11	24.3	34.4	4.54	24.6	36.6	4.99	25.0	41.1	5.97	25.6	45.5	7.04	26.3			
		60	23.2	2.48	21.9	27.7	3.15	22.3	32.1	3.91	22.7	34.4	4.32	22.9	36.6	4.75	23.1	41.1	5.67	23.5	45.5	6.69	23.9			
		96	23.2	2.44	21.5	27.7	3.09	21.8	32.1	3.83	22.1	34.4	4.23	22.3	36.6	4.66	22.5	41.1	5.56	22.8	45.5	6.56	23.1			
30	50	23.2	3.09	28.8	27.7	3.94	29.5	32.1	4.91	30.3	34.4	5.43	30.7	36.6	5.98	31.1	41.1	7.17	31.9	45.5	8.47	32.7				
	60	23.2	3.04	28.1	27.7	3.87	28.8	32.1	4.82	29.4	34.4	5.33	29.7	36.6	5.87	30.1	41.1	7.04	30.7	45.5	8.31	31.4				
	96	23.2	2.90	26.9	27.7	3.69	27.3	32.1	4.58	27.7	34.4	5.07	27.9	36.6	5.58	28.2	41.1	6.68	28.6	45.5	7.89	29.0				
35	50	23.2	2.84	26.6	27.7	3.62	26.9	32.1	4.50	27.2	34.4	4.97	27.4	36.6	5.47	27.5	41.1	6.55	27.8	45.5	7.73	28.2				
	60	23.2	3.62	33.8	27.7	4.63	34.6	32.1	5.78	35.4	34.4	6.41	35.8	36.6	7.07	36.3	41.1	8.49	37.1	45.5	10.0	38.0				
	96	23.2	3.53	33.2	27.7	4.55	33.8	32.1	5.68	34.5	34.4	6.29	34.9	36.6	6.94	35.2	41.1	8.33	35.9	45.5	9.85	36.6				
40	50	23.2	3.39	32.0	27.7	4.33	32.4	32.1	5.40	32.8	34.4	5.98	33.0	36.6	6.59	33.2	41.1	7.91	33.7	45.5	9.35	34.1				
	60	23.2	3.32	31.6	27.7	4.25	31.9	32.1	5.30	32.2	34.4	5.86	32.4	36.6	6.46	32.6	41.1	7.75	32.9	45.5	9.16	33.3				
	96	23.2	4.26	38.9	27.7	5.48	39.8	32.1	6.87	40.6	34.4	7.62	41.0	36.6	8.42	41.5	41.1	10.1	42.3	45.5	11.9	43.2				
45	50	23.2	4.18	38.3	27.7	5.38	38.9	32.1	6.74	39.6	34.4	7.48	40.0	36.6	8.26	40.4	41.1	9.94	41.1	45.5	11.8	41.8				
	60	23.2	3.98	37.0	27.7	5.12	37.4	32.1	6.41	37.9	34.4	7.11	38.1	36.6	7.84	38.3	41.1	9.43	38.8	45.5	11.2	39.2				
	96	23.2	3.91	36.6	27.7	5.02	37.0	32.1	6.28	37.3	34.4	6.97	37.5	36.6	7.69	37.6	41.1	9.25	38.0	45.5	11.0	38.4				
50	50	23.2	4.94	44.0	27.7	6.51	44.9	32.1	8.31	45.8	34.4	8.75	46.0	36.6	9.86	46.1	41.1	12.1	47.2	45.5	14.5	46.3				
	60	23.2	4.86	43.4	27.7	6.38	44.1	32.1	8.11	44.8	34.4	8.66	45.2	36.6	9.48	45.4	41.1	11.8	46.5	45.5	14.2	45.6				
	96	23.2	4.33	42.1	27.7	5.61	42.5	32.1	7.07	42.9	34.4	7.87	43.2	36.6	8.71	43.4	41.1	10.5	43.9	45.5	12.8	44.0				
55	50	23.2	4.19	41.6	27.7	5.43	42.0	32.1	6.84	42.3	34.4	7.61	42.5	36.6	8.42	42.7	41.1	10.2	43.1	45.5	12.6	43.2				
	60	23.2	5.48	49.0	23.1	5.55	49.1	23.8	5.60	49.2	24.0	5.61	49.2	24.2	5.62	49.3	24.5	5.62	49.3	24.5	5.59	49.3				
	96	23.2	5.58	48.4	25.0	6.07	48.7	25.8	6.13	48.8	26.1	6.15	48.9	26.4	6.17	48.9	26.8	6.19	48.9	27.0	6.18	49.0				
60	50	23.2	4.90	47.1	27.7	6.48	47.5	31.5	7.97	48.0	32.0	8.01	48.0	32.4	8.05	48.0	33.2	8.11	48.1	48.1	33.8	8.15	48.1			
	60	23.2	4.76	46.7	27.7	6.24	47.0	32.1	7.94	47.4	34.4	8.87	47.6	35.4	8.93	47.7	36.4	9.31	47.7	37.1	9.37	47.8				
	96	23.2	5.48	49.0	23.1	5.55	49.1	23.8	5.60	49.2	24.0	5.61	49.2	24.2	5.62	49.3	24.5	5.62	49.3	24.5	5.59	49.3				
65	50	19.88	2.03	13.1	23.7	2.54	13.8	27.5	3.12	14.4	29.5	3.43	14.7	31.4	3.76	15.0	35.2	4.46	15.7	39.0	5.23	16.3				
	60	19.88	2.00	12.6	23.7	2.50	13.1	27.5	3.06	13.7	29.5	3.37	13.9	31.4	3.69	14.2	35.2	4.38	14.7	39.0	5.13	15.3				
	96	19.88	1.91	11.6	23.7	2.38	11.9	27.5	2.92	12.3	29.5	3.21	12.4	31.4	3.51	12.6	35.2	4.16	12.9	39.0	4.87	13.3				
70	50	19.88	1.87	11.3	23.7	2.34	11.6	27.5	2.86	11.8	29.5	3.15	11.9	31.4	3.45	12.1	35.2	4.08	12.3	39.0	4.78	12.6				
	60	19.88	2.10	18.2	23.7	2.63	18.8	27.5	3.23	19.4	29.5	3.55	19.7	31.4	3.89	20.1	35.2	4.62	20.7	39.0	5.41	21.4				
	96	19.88	2.06	17.6	23.7	2.58	18.1	27.5	3.17	18.7	29.5	3.49	18.9	31.4	3.82	19.2	35.2	4.53	19.7	39.0	5.31	20.3				
75	50	19.88	1.97	16.6	23.7	2.46	17.0	27.5	3.02	17.3	29.5	3.32	17.4	31.4	3.63	17.6	35.2	4.31	18.0	39.0	5.04	18.3				
	60	19.88	1.94	16.3	23.7	2.42	16.6	27.5	2.96	16.8	29.5	3.26	17.0	31.4	3.57	17.1	35.2	4.23	17.4	39.0	4.95	17.6				
	96	19.88	2.18	23.2	23.7	2.73	23.8	27.5	3.35	24.4	29.5	3.68	24.8	31.4	4.04	25.1	35.2	4.79	25.7	39.0	5.62	26.4				
80	50	19.9	2.14	22.6	23.7	2.68	23.2	27.5	3.29	23.7	29.5	3.62	24.0	31.4	3.96	24.2	35.2	4.71	24.8	39.0	5.52	25.3				
	60	19.9	2.04	21.6	23.7	2.56	22.0	27.5	3.13	22.3	29.5	3.44	22.5	31.4	3.77	22.6	35.2	4.48	23.0	39.0	5.24	23.3				
	96	19.9	2.01	21.3	23.7	2.51	21.6	27.5	3.08	21.8	29.5	3.38	22.0	31.4	3.70	22.1	35.2	4.39	22.4	39.0	5.14	22.6				
85	50	19.9	2.53	28.2	23.7	3.18	28.9	27.5	3.92	29.5	29.5	4.32	29.8	31.4	4.74	30.2	35.2	5.64	30.9	39.0	6.62	31.5				
	60	19.9	2.49	27.7	23.7	3.13	28.2	27.5	3.85	28.8	29.5	4.24	29.0	31.4	4.65	29.3	35.2	5.53	29.9	39.0	6.49	30.4				
	96	19.9	2.38	26.7	23.7	2.98	27.0	27.5	3.67	27.3	29.5	4.04	27.5	31.4	4.42	27.7	35.2	5.26	28.0	39.0	6.17	28.4				
90	50	19.9	2.33	26.3	23.7	2.93	26.6	27.5	3.60	26.9	29.5	3.96	27.0	31.4	4.34	27.1	35.2	5.16	27.4	39.0	6.05	27.7				
	60	19.9	2.95	33.3	23.7	3.73	33.9	27.5	4.60	34.6	29.5	5.08	35.0	31.4	5.58	35.3	35.2	6.65	36.0	39.0	7.82	36.7				
	96	19.9	2.90	32.7	23.7	3.66	33.3	27.5	4.52	33.8	29.5	4.99	34.1	31.4	5.48	34.4	35.2	6.53	35.0	39.0	7.68	35.6				
95	50	19.9	2.77	31.7	23.7	3.49	32.0	27.5	4.30	32.4	29.5	4.74	32.6	31.4	5.21	32.7	35.2	6.20	33.1	39.0	7.29	33.5				
	60	19.9	2.72	31.4	23.7	3.43	31.6	27.5	4.22	31.9	29.5	4.65	32.0	31.4	5.11	32.2	35.2	6.08	32.5	39.0	7.15	32.8				
	96	19.9	3.46	38.3	23.7	4.39	39.0	27.5	5.44	39.7	29.5	6.02	40.1	31.4	6.62	40.4	35.2	7.91	41.2	39.0	9.33	41.9				
100	50	19.9	3.40	37.8	23.7	4.31	38.3	27.5	5.35	38.9	29.5	5.91	39.2	31.4	6.50	39.5	35.2	7.77	40.1	39.0	9.15	40.8				
	60	19.9	3.24	36.7	23.7	4.11	37.1	27.5	5.09	37.4	29.5	5.62	37.6	31.4	6.18	37.8	35.2	7.38	38.2	39.0	8.69	38.6				
	96	19.9	3.18	36.4	23.7	4.03	36.7	27.5	4.99	36.9	29.5	5.51</														

# 4 Capacity tables

## 4 - 2 Cooling capacity tables

### RWEYQ20PY1

TC: Total Capacity: kW ; PI: Power Input: kW (compressor + outdoor fan motor) ; OWT: Outlet Water Temperatur: °C

Combination (%)	Inlet Water Temp. (°C)	Water Volume L/min	Indoor air temperature: °CDB																																																																																			
			14.0			16.0			18.0			19.0			20.0			22.0			24.0																																																																	
			TC	PI	OWT	TC	PI	OWT	TC	PI	OWT	TC	PI	OWT	TC	PI	OWT	TC	PI	OWT	TC	PI	OWT																																																															
130	10	50	46.9	6.96	17.7	55.9	9.26	19.3	61.1	9.79	20.2	62.0	9.84	20.3	62.8	9.88	20.4	64.2	9.94	20.6	65.3	9.97	20.8	46.9	6.82	16.4	55.9	9.08	17.8	61.3	9.69	18.5	62.2	9.74	18.6	63.1	9.78	18.7	64.5	9.84	18.9	65.6	9.87	19.0	46.9	6.48	14.0	55.9	8.62	14.8	62.1	9.43	15.3	63.0	9.47	15.4	63.9	9.51	15.5	65.3	9.57	15.6	66.5	9.61	15.7	46.9	6.36	13.2	55.9	8.45	13.8	62.4	9.33	14.3	63.3	9.37	14.3	64.2	9.41	14.4	65.6	9.47	14.5	66.8	9.51	14.6
		60	46.9	7.20	22.7	55.9	9.59	24.4	60.0	10.08	25.0	60.8	10.13	25.2	61.6	10.17	25.3	63.0	10.23	25.5	64.0	10.26	25.6	46.9	7.07	21.4	55.9	9.40	22.8	60.2	9.98	23.4	61.1	10.02	23.5	61.9	10.06	23.6	63.3	10.13	23.8	64.3	10.16	23.9	46.9	6.71	19.0	55.9	8.92	19.8	61.0	9.71	20.3	61.9	9.75	20.3	62.7	9.79	20.4	64.1	9.85	20.5	65.2	9.89	20.6	46.9	6.58	18.2	55.9	8.75	18.9	61.3	9.60	19.2	62.2	9.65	19.3	63.0	9.69	19.3	64.4	9.75	19.4	65.5	9.79	19.5
		96	46.9	7.48	27.8	55.9	9.97	29.4	58.6	10.4	29.9	59.4	10.42	30.0	60.2	10.5	30.1	61.4	10.5	30.3	62.4	10.6	30.5	46.9	7.34	26.5	55.9	9.78	27.8	58.8	10.3	28.3	59.7	10.3	28.4	60.4	10.4	28.5	61.7	10.4	28.6	62.7	10.5	28.7	46.9	6.97	24.0	55.9	9.28	24.9	59.6	9.99	25.2	60.4	10.0	25.3	61.2	10.1	25.3	62.5	10.1	25.4	63.5	10.2	25.5	46.9	6.84	23.2	55.9	9.09	23.9	59.8	9.88	24.2	60.7	9.93	24.2	61.5	9.97	24.3	62.8	10.0	24.4	63.9	10.1	24.4
	15	50	46.9	10.2	38.2	53.0	11.4	34.5	56.8	11.5	34.8	57.6	11.6	34.9	58.3	11.6	35.0	59.5	11.7	35.2	60.3	11.7	35.3	46.9	10.06	36.8	53.0	11.2	33.0	57.1	11.4	33.2	57.9	11.5	33.3	58.6	11.5	33.4	59.8	11.6	33.5	60.6	11.6	33.6	46.9	9.72	34.2	53.0	10.7	30.0	57.8	11.1	30.1	58.6	11.2	30.2	59.4	11.2	30.3	60.6	11.3	30.4	61.5	11.3	30.4	46.9	9.59	33.2	53.0	10.5	29.0	58.1	11.0	29.1	58.9	11.0	29.2	59.6	11.1	29.2	60.9	11.1	29.3	61.8	11.1	29.4
		60	46.9	10.5	38.2	53.0	12.6	39.4	58.4	12.7	39.7	59.5	12.7	39.8	56.1	12.8	39.9	57.1	12.8	40.0	57.8	12.9	40.1	46.9	10.3	36.8	53.3	12.4	37.9	55.0	12.6	38.1	55.8	12.6	38.2	56.4	12.7	38.3	57.4	12.7	38.4	58.1	12.7	38.5	46.9	9.73	34.2	53.3	12.1	34.9	55.7	12.2	35.1	56.5	12.3	35.1	57.1	12.3	35.2	58.2	12.4	35.3	59.0	12.4	35.3	46.9	9.54	33.4	54.2	12.0	34.0	56.0	12.1	34.1	56.7	12.2	34.1	57.4	12.2	34.2	58.5	12.3	34.2	59.3	12.3	34.3
		96	46.9	11.6	39.4	51.0	13.6	42.7	52.6	13.7	42.9	53.2	13.8	43.0	53.8	13.8	43.1	54.6	13.9	43.2	55.1	13.9	43.2	46.9	11.4	38.5	51.8	13.1	38.9	53.5	13.2	39.0	54.2	13.3	39.0	54.8	13.3	39.1	55.7	13.4	39.1	56.3	13.4	39.2	46.9	11.6	39.4	51.0	13.2	39.8	53.2	13.4	40.0	53.9	13.4	40.0	54.5	13.5	40.1	55.4	13.5	40.1	56.0	13.5	40.2	46.9	11.4	38.5	51.8	13.1	38.9	53.5	13.2	39.0	54.2	13.3	39.0	54.8	13.3	39.1	55.7	13.4	39.1	56.3	13.4	39.2
	20	50	46.9	12.5	43.5	50.7	13.7	44.2	52.3	13.9	44.5	53.0	13.9	44.6	53.5	14.0	44.7	54.4	14.0	44.8	54.8	14.0	44.9	46.9	12.2	42.1	51.0	13.6	42.7	52.6	13.7	42.9	53.2	13.8	43.0	53.8	13.8	43.1	54.6	13.9	43.2	55.1	13.9	43.2	46.9	11.6	39.4	51.0	13.2	39.8	53.2	13.4	40.0	53.9	13.4	40.0	54.5	13.5	40.1	55.4	13.5	40.1	56.0	13.5	40.2	46.9	11.4	38.5	51.8	13.1	38.9	53.5	13.2	39.0	54.2	13.3	39.0	54.8	13.3	39.1	55.7	13.4	39.1	56.3	13.4	39.2
		60	46.9	12.5	43.5	50.7	13.7	44.2	52.3	13.9	44.5	53.0	13.9	44.6	53.5	14.0	44.7	54.4	14.0	44.8	54.8	14.0	44.9	46.9	12.2	42.1	51.0	13.6	42.7	52.6	13.7	42.9	53.2	13.8	43.0	53.8	13.8	43.1	54.6	13.9	43.2	55.1	13.9	43.2	46.9	11.6	39.4	51.0	13.2	39.8	53.2	13.4	40.0	53.9	13.4	40.0	54.5	13.5	40.1	55.4	13.5	40.1	56.0	13.5	40.2	46.9	11.4	38.5	51.8	13.1	38.9	53.5	13.2	39.0	54.2	13.3	39.0	54.8	13.3	39.1	55.7	13.4	39.1	56.3	13.4	39.2
		96	46.9	12.5	43.5	50.7	13.7	44.2	52.3	13.9	44.5	53.0	13.9	44.6	53.5	14.0	44.7	54.4	14.0	44.8	54.8	14.0	44.9	46.9	12.2	42.1	51.0	13.6	42.7	52.6	13.7	42.9	53.2	13.8	43.0	53.8	13.8	43.1	54.6	13.9	43.2	55.1	13.9	43.2	46.9	11.6	39.4	51.0	13.2	39.8	53.2	13.4	40.0	53.9	13.4	40.0	54.5	13.5	40.1	55.4	13.5	40.1	56.0	13.5	40.2	46.9	11.4	38.5	51.8	13.1	38.9	53.5	13.2	39.0	54.2	13.3	39.0	54.8	13.3	39.1	55.7	13.4	39.1	56.3	13.4	39.2
	25	50	46.9	14.0	48.0	41.7	12.2	43.6	49.1	12.3	43.7	49.6	12.3	43.7	50.1	12.3	43.7	50.6	12.4	43.8	50.8	12.4	43.8	46.9	13.7	41.4	41.4	11.0	46.3	42.3	11.1	46.4	42.5	11.1	46.4	42.6	11.1	46.4	42.5	11.0	46.4	42.0	10.9	46.3	46.9	12.2	44.3	47.3	12.4	44.5	48.6	12.5	44.6	49.2	12.5	44.6	49.6	12.5	44.6	50.1	12.6	44.7	50.2	12.6	44.7	46.9	12.0	43.5	47.7	12.2	43.6	49.1	12.3	43.7	49.6	12.3	43.7	50.1	12.3	43.7	50.6	12.4	43.8	50.8	12.4	43.8
		60	46.9	14.0	48.0	41.7	12.2	43.6	49.1	12.3	43.7	49.6	12.3	43.7	50.1	12.3	43.7	50.6	12.4	43.8	50.8	12.4	43.8	46.9	13.7	41.4	41.4	11.0	46.3	42.3	11.1	46.4	42.5	11.1	46.4	42.6	11.1	46.4	42.5	11.0	46.4	42.0	10.9	46.3	46.9	12.2	44.3	47.3	12.4	44.5	48.6	12.5	44.6	49.2	12.5	44.6	49.6	12.5	44.6	50.1	12.6	44.7	50.2	12.6	44.7	46.9	12.0	43.5	47.7	12.2	43.6	49.1	12.3	43.7	49.6	12.3	43.7	50.1	12.3	43.7	50.6	12.4	43.8	50.8	12.4	43.8
		96	46.9	14.0	48.0	41.7	12.2	43.6	49.1	12.3	43.7	49.6	12.3	43.7	50.1	12.3	43.7	50.6	12.4	43.8	50.8	12.4	43.8	46.9	13.7	41.4	41.4	11.0	46.3	42.3	11.1	46.4	42.5	11.1	46.4	42.6	11.1	46.4	42.5	11.0	46.4	42.0	10.9	46.3	46.9	12.2	44.3	47.3	12.4	44.5	48.6	12.5	44.6	49.2	12.5	44.6	49.6	12.5	44.6	50.1	12.6	44.7	50.2	12.6	44.7	46.9	12.0	43.5	47.7	12.2	43.6	49.1	12.3	43.7	49.6	12.3	43.7	50.1	12.3	43.7	50.6	12.4	43.8	50.8	12.4	43.8
30	50	26.6	6.39	49.7	26.3	6.30	49.7	25.3	6.12	49.5	24.4	6.00	49.4	23.4	5.85	49.2	20.8	5.49	48.8	17.4	5.04	48.2	60	29.2	7.06	49.3	29.3	7.01	49.3	28.8	6.88	49.3	28.2	6.79	49.2	27.5	6.68	49.1	25.5	6.39	48.8	22.8	6.03	48.4	96	36.4	9.26	48.4	37.5	9.33	48.5	37.9	9.32	48.5	37.9	9.30	48.5	37.8	9.25	48.5	37.2	9.12	48.5	36.1	8.93	48.4																				
	60	26.6	6.39	49.7	26.3	6.30	49.7	25.3	6.12	49.5	24.4	6.00	49.4	23.4	5.85	49.2	20.8	5.49	48.8	17.4	5.04	48.2	60	29.2	7.06	49.3	29.3	7.01	49.3	28.8	6.88	49.3	28.2	6.79	49.2	27.5	6.68	49.1	25.5	6.39	48.8	22.8	6.03	48.4	96	36.4	9.26	48.4	37.5	9.33	48.5	37.9	9.32	48.5	37.9	9.30	48.5	37.8	9.25	48.5	37.2	9.12	48.5	36.1	8.93	48.4																				
	96	26.6	6.39	49.7	26.3	6.30	49.7	25.3	6.12	49.5	24.4	6.00	49.4	23.4	5.85	49.2	20.8	5.49	48.8	17.4	5.04	48.2	60	29.2	7.06	49.3	29.3	7.01	49.3	28.8	6.88	49.3	28.2	6.79	49.2	27.5	6.68	49.1	25.5	6.39	48.8	22.8	6.03	48.4	96	36.4	9.26	48.4	37.5	9.33	48.5	37.9	9.32	48.5	37.9	9.30	48.5	37.8	9.25	48.5	37.2	9.12	48.5	36.1	8.93	48.4																				
35	50	43.2	6.13	17.1	51.6	8.12	18.6	59.9	9.73	20.0	60.9	9.78	20.1	61.7	9.83	20.3	63.2	9.90	20.5	64.4	9.95	20.7	60	43.2	6.02	15.9	51.6	7.97	17.1	59.9	9.62	18.3	61.2	9.69	18.5	62.0	9.73	18.6	63.5	9.80	18.8	64.8	9.85	18.9	96	43.2	5.72	13.7	51.6	7.56	14.4	59.9	9.31	15.2	61.9	9.42	15.3	62.8	9.46	15.4	64.3	9.53	15.5	65.6	9.58	15.6																				

# 4 Capacity tables

## 4 - 2 Cooling capacity tables

### RWEYQ20PY1

TC: Total Capacity: kW ; PI: Power Input: kW (compressor + outdoor fan motor) ; OWT: Outlet Water Temperatur: °C

Combination (%)	Inlet Water Temp. (°C)	Water Volume l/min	Indoor air temperature: °CDB																							
			14.0			16.0			18.0			19.0			20.0			22.0			24.0					
			TC	PI	OWT	TC	PI	OWT	TC	PI	OWT	TC	PI	OWT	TC	PI	OWT	TC	PI	OWT	TC	PI	OWT			
100	10	50	36.0	4.64	15.8	43.0	6.07	17.0	49.9	7.70	18.3	53.4	8.59	18.9	56.9	9.53	19.5	60.8	9.78	20.1	62.2	9.85	20.3			
		60	36.0	4.56	14.9	43.0	5.96	15.8	49.9	7.56	16.9	53.4	8.43	17.4	56.9	9.35	17.9	61.1	9.68	18.5	62.5	9.75	18.6			
		96	36.0	4.34	13.0	43.0	5.66	13.6	49.9	7.17	14.3	53.4	8.00	14.6	56.9	8.87	14.9	61.9	9.42	15.3	63.3	9.49	15.4			
	15	50	36.0	4.25	12.4	43.0	5.55	12.9	49.9	7.03	13.4	53.4	7.84	13.7	56.9	8.70	13.9	62.2	9.32	14.3	63.6	9.39	14.4			
		60	36.0	4.80	20.9	43.0	6.29	22.1	49.9	7.98	23.3	53.4	8.90	23.9	56.9	9.87	24.6	59.7	10.07	25.0	61.1	10.14	25.2			
		96	36.0	4.72	19.9	43.0	6.17	20.9	49.9	7.82	21.9	53.4	8.73	22.4	56.9	9.68	23.0	60.0	9.97	23.4	61.4	10.04	23.5			
	20	50	36.0	4.49	18.0	43.0	5.86	18.6	49.9	7.43	19.3	53.4	8.28	19.6	56.9	9.19	19.9	60.8	9.70	20.3	62.1	9.76	20.4			
		60	36.0	4.40	17.4	43.0	5.75	17.9	49.9	7.28	18.4	53.4	8.12	18.7	56.9	9.00	18.9	61.0	9.59	19.2	62.4	9.66	19.3			
		96	36.0	4.99	25.9	43.0	6.53	27.1	49.9	8.29	28.3	53.4	9.25	29.0	56.9	10.3	29.6	58.4	10.4	29.8	59.6	10.4	30.0			
	25	50	36.0	4.90	24.9	43.0	6.41	25.9	49.9	8.13	26.9	53.4	9.07	27.5	56.9	10.1	28.0	58.6	10.3	28.2	59.9	10.3	28.4			
		60	36.0	4.66	23.0	43.0	6.09	23.7	49.9	7.72	24.3	53.4	8.61	24.6	56.9	9.55	25.0	59.4	9.97	25.2	60.7	10.0	25.3			
		96	36.0	4.57	22.4	43.0	5.97	22.9	49.9	7.57	23.4	53.4	8.44	23.7	56.9	9.36	24.0	59.6	9.87	24.2	61.0	9.94	24.2			
30	50	36.0	5.86	31.0	43.0	7.69	32.3	49.9	9.78	33.6	53.4	10.9	34.2	55.2	11.4	34.6	56.6	11.5	34.8	57.8	11.6	35.0				
	60	36.0	5.75	30.0	43.0	7.55	31.0	49.9	9.59	32.1	53.4	10.7	32.7	55.5	11.3	33.0	56.9	11.4	33.2	58.1	11.5	33.3				
	96	36.0	5.47	28.1	43.0	7.17	28.7	49.9	9.11	29.4	53.4	10.2	29.7	56.2	11.0	30.0	57.6	11.1	30.1	58.9	11.2	30.2				
35	50	36.0	5.37	27.5	43.0	7.03	28.0	49.9	8.93	28.5	53.4	9.96	28.8	56.4	10.9	29.1	57.9	11.0	29.1	59.1	11.0	29.2				
	60	36.0	6.91	36.2	43.0	9.10	37.5	49.9	11.6	38.8	52.5	12.5	39.3	53.2	12.6	39.4	54.6	12.7	39.6	55.7	12.8	39.8				
	96	36.0	6.78	35.1	43.0	8.92	36.2	49.9	11.4	37.3	52.8	12.4	37.8	53.5	12.5	37.9	54.8	12.6	38.0	56.0	12.6	38.2				
40	50	36.0	6.44	33.2	43.0	8.47	33.8	49.9	10.8	34.5	53.4	12.1	34.9	54.2	12.1	34.9	55.5	12.2	35.1	56.7	12.3	35.1				
	60	36.0	6.32	32.5	43.0	8.31	33.1	49.9	10.6	33.6	53.4	11.8	33.9	54.4	12.0	34.0	55.8	12.1	34.1	56.9	12.2	34.1				
	96	36.0	8.21	41.3	43.0	10.9	42.7	49.5	13.6	44.0	50.2	13.7	44.2	50.9	13.8	44.3	52.1	13.9	44.5	53.1	13.9	44.6				
45	50	36.0	8.05	40.3	43.0	10.6	41.4	49.7	13.5	42.6	50.5	13.6	42.6	51.2	13.6	42.7	52.4	13.7	42.9	53.4	13.8	43.0				
	60	36.0	7.65	38.3	43.0	10.1	39.0	49.9	12.9	39.7	51.1	13.2	39.8	51.8	13.2	39.9	53.1	13.4	40.0	54.1	13.4	40.0				
	96	36.0	7.51	37.6	43.0	9.91	38.2	49.9	12.7	38.7	51.3	13.0	38.8	52.0	13.1	38.9	53.3	13.2	39.0	54.4	13.3	39.0				
50	50	36.0	9.94	46.6	37.4	10.1	46.8	38.5	10.2	47.0	39.0	10.2	47.0	39.3	10.2	47.0	39.8	10.2	47.2	40.0	10.2	47.2				
	60	36.0	9.73	45.5	39.3	10.9	46.0	40.6	11.0	46.2	41.1	11.0	46.2	41.5	11.0	46.3	42.2	11.1	46.4	42.6	11.1	46.4				
	96	36.0	8.46	43.3	43.0	11.2	44.0	46.2	12.3	44.4	46.9	12.4	44.4	47.5	12.4	44.5	48.5	12.5	44.6	49.3	12.5	44.6				
55	50	36.0	8.19	42.6	43.0	10.9	43.2	46.6	12.1	43.5	47.3	12.2	43.5	47.9	12.2	43.6	48.9	12.3	43.7	49.8	12.3	43.7				
	60	28.2	7.00	49.2	29.0	7.05	49.3	29.4	7.05	49.3	29.4	7.03	49.7	26.3	6.29	49.7	25.4	6.15	49.5	24.2	5.95	49.3				
	96	34.5	9.11	48.3	35.9	9.22	48.4	36.8	9.29	48.4	37.2	9.31	48.5	37.5	9.33	48.5	37.9	9.33	48.5	37.9	9.28	48.5				
60	50	36.0	9.52	47.7	39.2	10.6	48.0	40.5	10.7	48.1	41.0	10.7	48.1	41.4	10.8	48.1	42.1	10.8	48.2	42.4	10.8	48.2				
	60	32.4	3.98	15.2	38.7	5.16	16.3	44.9	6.51	17.4	48.1	7.24	17.9	51.2	8.02	18.5	57.4	9.57	19.6	60.8	9.78	20.1				
	96	32.4	3.91	14.3	38.7	5.07	15.2	44.9	6.39	16.1	48.1	7.11	16.6	51.2	7.87	17.1	57.4	9.46	18.0	61.1	9.68	18.5				
65	50	32.4	3.72	12.7	38.7	4.82	13.2	44.9	6.07	13.8	48.1	6.75	14.1	51.2	7.47	14.4	57.4	9.02	15.0	61.8	9.42	15.3				
	60	32.4	3.65	12.2	38.7	4.73	12.6	44.9	5.95	13.0	48.1	6.62	13.3	51.2	7.32	13.5	57.4	8.84	14.0	62.1	9.32	14.3				
	96	32.4	4.12	20.2	38.7	5.34	21.3	44.9	6.74	22.4	48.1	7.50	23.0	51.2	8.30	23.5	57.4	9.92	24.7	59.7	10.07	25.0				
70	50	32.4	4.04	19.4	38.7	5.25	20.2	44.9	6.61	21.2	48.1	7.36	21.6	51.2	8.15	22.1	57.4	9.80	23.0	60.0	9.97	23.4				
	60	32.4	3.85	17.7	38.7	4.99	18.3	44.9	6.28	18.8	48.1	6.99	19.1	51.2	7.73	19.4	57.4	9.34	20.0	60.7	9.89	20.3				
	96	32.4	3.78	17.2	38.7	4.89	17.6	44.9	6.16	18.1	48.1	6.85	18.3	51.2	7.58	18.5	57.4	9.15	19.0	61.0	9.99	19.2				
75	50	32.4	4.27	25.3	38.7	5.55	26.3	44.9	7.00	27.4	48.1	7.80	28.0	51.2	8.63	28.6	57.0	10.3	29.6	58.3	10.4	29.8				
	60	32.4	4.20	24.4	38.7	5.45	25.3	44.9	6.87	26.2	48.1	7.65	26.7	51.2	8.47	27.1	57.3	10.2	28.1	58.6	10.3	28.2				
	96	32.4	4.00	22.7	38.7	5.18	23.3	44.9	6.53	23.8	48.1	7.26	24.1	51.2	8.04	24.4	57.4	9.71	25.0	59.3	9.97	25.2				
80	50	32.4	3.92	22.2	38.7	5.08	22.6	44.9	6.40	23.1	48.1	7.12	23.3	51.2	7.88	23.5	57.4	9.52	24.0	59.6	9.87	24.1				
	60	32.4	5.01	30.4	38.7	6.53	31.5	44.9	8.25	32.6	48.1	9.19	33.2	51.2	10.2	33.8	55.3	11.4	34.6	56.6	11.5	34.8				
	96	32.4	4.92	29.5	38.7	6.41	30.4	44.9	8.10	31.3	48.1	9.02	31.8	51.2	9.99	32.3	55.6	11.3	33.0	56.9	11.4	33.2				
85	50	32.4	4.68	27.8	38.7	6.09	28.3	44.9	7.69	28.9	48.1	8.56	29.2	51.2	9.48	29.5	56.3	11.0	30.0	57.6	11.1	30.1				
	60	32.4	4.60	27.2	38.7	5.97	27.7	44.9	7.54	28.1	48.1	8.39	28.4	51.2	9.30	28.6	56.5	10.9	29.0	57.8	11.0	29.1				
	96	32.4	5.89	35.5	38.7	7.70	36.7	44.9	9.77	37.8	48.1	10.9	38.5	51.2	12.1	39.1	53.4	12.6	39.5	54.8	12.7	39.6				
90	50	32.4	5.79	34.6	38.7	7.56	35.5	44.9	9.58	36.5	48.1	10.7	37.0	51.2	11.9	37.5	53.6	12.5	37.9	54.5	12.6	38.0				
	60	32.4	5.51	32.8	38.7	7.18	33.4	44.9	9.10	34.0	48.1	10.1	34.3	51.2	11.2	34.7	54.3	12.1	35.0	55.5	12.2	35.1				
	96	32.4	5.40	32.3	38.7	7.05	32.7	44.9	8.92	33.2	48.1	9.94	33.5	51.2	11.0	33.7	54.5	12.0	34.0	55.8	12.1	34.1				
95	50	32.4	6.99	40.7	38.7	9.17	41.9	44.9	11.7	43.1	48.1	13.0	43.8	49.8	13.7	44.1	51.0	13.8	44.3	52.1	13.9	44.5				
	60	32.4	6.86	39.7	38.7	9.00	40.7	44.9	11.4	41.7	48.1	12.8	42.3	50.0	13.5	42.6	51.3	13.6	42.8	52.4	13.7	42.9				
	96	32.4	6.52	37.9	38.7	8.55	38.5	44.9	10.9	39.2	48.1	12.1	39.5	50.6	13.1	39.8	51.9	13.3	39.9	53.0	13.3	40.0				
100	50	32.4	6.40	37.3	38.7	8.38	37.8	44.9	10.6	38.3	48.1	11.9	38.6	50.8	13.0	38.8	52.2	13.1	38.9	53.3	13.2	39.0				
	60	32.4	8.38	45.9	36.6	10.00	46.7	37.7	10.1	46.9	38.2	10.1	46.9	38.7	10.2	47.0	39.4	10.2	47.1	39.8	10.2	47.2				
	96	32.4	8.20	44.9	38.4	10.8	45.9	39.7	10.9	46.0	40.3	11.0	46.1													



# 4 Capacity tables

## 4 - 2 Cooling capacity tables

**RWEYQ20PY1**

TC: Total Capacity: kW ; PI: Power Input: kW (compressor + outdoor fan motor) ; OWT: Outlet Water Temperatur: °C

Indoor air temperature: °CDB

Combination (%)	Inlet Water Temp. (°C)	Water Volume L/min	Indoor air temperature: °CDB																																																																																								
			14.0			16.0			18.0			19.0			21.0			22.0			24.0																																																																						
			TC	PI	OWT	TC	PI	OWT	TC	PI	OWT	TC	PI	OWT	TC	PI	OWT	TC	PI	OWT	TC	PI	OWT																																																																				
70	10	50	25.2	2.82	14.0	30.1	3.58	14.8	35.0	4.44	15.6	37.4	4.90	16.1	39.8	5.39	16.5	44.7	6.45	17.3	49.5	7.60	18.2	60	25.2	2.77	13.3	30.1	3.51	14.0	35.0	4.36	14.7	37.4	4.81	15.0	39.8	5.29	15.4	44.7	6.33	16.1	49.5	7.46	16.8	96	25.2	2.64	12.1	30.1	3.35	12.5	35.0	4.14	12.9	37.4	4.58	13.1	39.8	5.03	13.3	44.7	6.01	13.8	49.5	7.08	14.2	120	25.2	2.59	11.7	30.1	3.29	12.0	35.0	4.07	12.3	37.4	4.49	12.5	39.8	4.94	12.7	44.7	5.90	13.0	49.5	6.94	13.4		
		15	50	25.2	2.91	19.0	30.1	3.70	19.8	35.0	4.59	20.7	37.4	5.07	21.1	39.8	5.58	21.5	44.7	6.68	22.4	49.5	7.87	23.2	60	25.2	2.86	18.4	30.1	3.63	19.0	35.0	4.51	19.7	37.4	4.98	20.1	39.8	5.48	20.4	44.7	6.55	21.1	49.5	7.72	21.8	96	25.2	2.73	17.1	30.1	3.46	17.5	35.0	4.29	17.9	37.4	4.74	18.1	39.8	5.21	18.4	44.7	6.22	18.8	49.5	7.33	19.2	120	25.2	2.68	16.7	30.1	3.40	17.0	35.0	4.21	17.3	37.4	4.65	17.5	39.8	5.11	17.7	44.7	6.10	18.0	49.5	7.19	18.4	
			20	50	25.2	3.02	24.0	30.1	3.84	24.9	35.0	4.77	25.7	37.4	5.27	26.1	39.8	5.80	26.5	44.7	6.94	27.4	49.5	8.18	28.3	60	25.2	2.97	23.4	30.1	3.77	24.0	35.0	4.68	24.7	37.4	5.17	25.1	39.8	5.69	25.4	44.7	6.81	26.1	49.5	8.03	26.9	96	25.2	2.83	22.1	30.1	3.59	22.5	35.0	4.45	22.9	37.4	4.92	23.2	39.8	5.41	23.4	44.7	6.47	23.8	49.5	7.62	24.3	120	25.2	2.78	21.7	30.1	3.53	22.0	35.0	4.37	22.3	37.4	4.83	22.5	39.8	5.31	22.7	44.7	6.34	23.0	49.5	7.47	23.4
	25			50	25.2	3.52	29.1	30.1	4.50	30.0	35.0	5.59	30.8	37.4	6.19	31.2	39.8	6.82	31.7	44.7	8.17	32.6	49.5	9.66	33.5	60	25.2	3.46	28.4	30.1	4.42	29.1	35.0	5.49	29.8	37.4	6.08	30.2	39.8	6.69	30.6	44.7	8.02	31.3	49.5	9.47	32.0	96	25.2	3.30	27.1	30.1	4.20	27.6	35.0	5.22	28.0	37.4	5.78	28.2	39.8	6.36	28.4	44.7	7.62	28.9	49.5	8.99	29.4	120	25.2	3.24	26.7	30.1	4.13	27.0	35.0	5.13	27.4	37.4	5.67	27.6	39.8	6.24	27.8	44.7	7.47	28.1	49.5	8.81	28.5
		30		50	25.2	4.12	34.2	30.1	5.28	35.1	35.0	6.59	36.0	37.4	7.30	36.4	39.8	8.06	36.9	44.7	9.67	37.8	49.5	11.4	38.7	60	25.2	4.05	33.5	30.1	5.18	34.2	35.0	6.47	34.9	37.4	7.17	35.3	39.8	7.91	35.7	44.7	9.49	36.5	49.5	11.2	37.3	96	25.2	3.86	32.2	30.1	4.94	32.6	35.0	6.15	33.1	37.4	6.81	33.3	39.8	7.51	33.5	44.7	9.01	34.0	49.5	10.7	34.5	120	25.2	3.79	31.7	30.1	4.84	32.1	35.0	6.04	32.4	37.4	6.68	32.6	39.8	7.37	32.8	44.7	8.84	33.2	49.5	10.4	33.6
			35	50	25.2	4.85	39.3	30.1	6.25	40.2	35.0	7.83	41.1	37.4	8.89	41.6	39.8	9.59	42.1	44.7	11.6	43.1	49.5	13.6	44.0	60	25.2	4.77	38.6	30.1	6.13	39.3	35.0	7.68	40.1	37.4	8.53	40.5	39.8	9.41	40.9	44.7	11.3	41.7	49.5	13.4	42.5	96	25.2	4.54	37.2	30.1	5.84	37.7	35.0	7.30	38.2	37.4	8.10	38.4	39.8	8.94	38.6	44.7	10.8	39.1	49.5	12.7	39.6	120	25.2	4.46	36.8	30.1	5.73	37.1	35.0	7.16	37.5	37.4	7.94	37.7	39.8	8.77	37.9	44.7	10.5	38.3	49.5	12.5	38.7
	40			50	25.2	5.63	44.4	30.1	7.43	45.4	35.0	9.48	46.4	37.4	10.63	46.6	39.8	10.0	46.7	44.7	13.1	47.7	49.5	15.4	48.2	60	25.2	5.54	43.7	30.1	7.27	44.5	35.0	9.25	45.3	37.4	10.3	45.7	39.8	10.8	45.9	44.7	12.9	46.0	49.5	15.1	47.6	96	25.2	5.29	42.3	30.1	6.90	43.0	35.0	8.86	43.7	37.4	9.87	43.5	39.8	10.5	43.7	44.7	12.6	44.2	49.5	14.4	46.1	120	25.2	5.22	41.8	30.1	6.82	42.5	35.0	8.78	43.0	37.4	9.78	43.2	39.8	10.4	43.4	44.7	12.5	44.0	49.5	14.3	45.9
		45		50	24.2	6.25	49.4	25.2	6.33	49.5	25.9	6.38	49.6	26.1	6.39	49.7	26.3	6.40	49.7	26.6	6.40	49.7	26.6	6.40	49.7	60	25.2	6.36	48.8	27.2	6.92	49.1	28.0	6.99	49.2	28.4	7.02	49.2	28.7	7.03	49.3	29.1	7.05	49.3	29.3	7.05	49.3	96	25.2	5.58	47.3	30.1	7.38	47.8	34.3	9.09	48.2	34.8	9.13	48.3	35.3	9.17	48.3	36.1	9.24	48.4	36.8	9.29	48.4	120	25.2	5.42	46.8	30.1	7.12	47.2	35.0	9.05	47.6	37.4	9.11	47.8	38.6	10.5	47.9	39.6	10.6	48.0	40.4	10.7	48.1
			60	10	50	21.62	2.31	13.4	25.8	2.90	14.1	30.0	3.55	14.8	32.0	3.91	15.2	34.1	4.28	15.5	38.3	5.08	16.2	42.5	5.96	16.9	60	21.62	2.28	12.9	25.8	2.85	13.4	30.0	3.49	14.0	32.0	3.84	14.3	34.1	4.21	14.6	38.3	4.99	15.2	42.5	5.85	15.8	96	21.62	2.17	11.8	25.8	2.72	12.1	30.0	3.33	12.5	32.0	3.66	12.7	34.1	4.00	12.8	38.3	4.75	13.2	42.5	5.55	13.6	120	21.62	2.14	11.4	25.8	2.67	11.7	30.0	3.27	12.0	32.0	3.59	12.1	34.1	3.93	12.3	38.3	4.66	12.6	42.5	5.45
	15				50	21.62	2.39	18.4	25.8	3.00	19.1	30.0	3.68	19.8	32.0	4.05	20.2	34.1	4.43	20.5	38.3	5.26	21.2	42.5	6.17	22.0	60	21.62	2.35	17.9	25.8	2.95	18.4	30.0	3.61	19.0	32.0	3.97	19.3	34.1	4.35	19.6	38.3	5.16	20.2	42.5	6.05	20.8	96	21.62	2.25	16.8	25.8	2.81	17.1	30.0	3.44	17.5	32.0	3.78	17.7	34.1	4.14	17.9	38.3	4.91	18.2	42.5	5.75	18.6	120	21.62	2.21	16.4	25.8	2.76	16.7	30.0	3.38	17.0	32.0	3.71	17.1	34.1	4.06	17.3	38.3	4.82	17.6	42.5	5.64
		20			50	21.6	2.48	23.5	25.8	3.11	24.1	30.0	3.82	24.8	32.0	4.20	25.2	34.1	4.60	25.6	38.3	5.47	26.3	42.5	6.41	27.0	60	21.6	2.44	22.9	25.8	3.06	23.4	30.0	3.75	24.0	32.0	4.12	24.3	34.1	4.52	24.6	38.3	5.36	25.2	42.5	6.29	25.8	96	21.6	2.33	21.8	25.8	2.91	22.1	30.0	3.57	22.5	32.0	3.93	22.7	34.1	4.30	22.9	38.3	5.10	23.2	42.5	5.97	23.6	120	21.6	2.29	21.4	25.8	2.86	21.7	30.0	3.51	22.0	32.0	3.85	22.1	34.1	4.22	22.3	38.3	5.00	22.6	42.5	5.86
				25	50	21.6	2.88	28.5	25.8	3.63	29.2	30.0	4.47	29.9	32.0	4.92	30.3	34.1	5.40	30.7	38.3	6.42	31.4	42.5	7.54	32.2	60	21.6	2.84	27.9	25.8	3.57	28.5	30.0	4.39	29.1	32.0	4.83	29.4	34.1	5.30	29.7	38.3	6.30	30.3	42.5	7.40	31.0	96	21.6	2.71	26.8	25.8	3.40	27.2	30.0	4.18	27.5	32.0	4.60	27.7	34.1	5.04	27.9	38.3	5.99	28.3	42.5	7.03	28.7	120	21.6	2.66	26.5	25.8	3.34	26.7	30.0	4.10	27.0	32.0	4.51	27.2	34.1	4.95	27.3	38.3	5.88	27.6	42.5	6.90
30	50				21.6	3.36	33.6	25.8	4.25	34.3	30.0	5.25	35.0	32.0	5.79	35.4	34.1	6.36	35.8	38.3	7.58	36.6	42.5	8.92	37.4	60	21.6	3.30	33.0	25.8	4.17	33.6	30.0	5.15	34.2	32.0	5.68	34.5	34.1	6.24	34.8	38.3	7.44	35.5	42.5	8.75	36.1	96	21.6	3.15	31.9	25.8	3.98	32.2	30.0	4.90	32.6	32.0	5.41	32.8	34.1	5.94	33.0	38.3	7.07	33.4	42.5	8.31	33.8	120	21.6	3.10	31.5	25.8	3.90	31.8	30.0	4.81	32.1	32.0	5.31	32.2	34.1	5.82	32.4	38.3	6.94	32.7	42.5	8.15	33.0
	35	50			21.6	3.94	38.7	25.8	5.00	39.4	30.0	6.21	40.2	32.0	6.86	40.6	34.1	7.55	41.0	38.3	9.02	41.8	42.5	10.6	42.6	60	21.6	3.87	38.0	25.8	4.92	38.7	30.0	6.09	39.3	32.0	6.73	39.6	34.1	7.41	40.0	38.3	8.85	40.6	42.5	10.4	41.3	96	21.6	3.69	36.9	25.8	4.68	37.3	30.0	5.80	37.7	32.0	6.40	37.9	34.1	7.04	38.1	38.3	8.41	38.5	42.5	9.91	38.9	120	21.6	3.63	36.5	25.8	4.60	36.8	30.0	5.69	37.1	32.0	6.28	37.3	34.1	6.91	37.5	38.3	8.25	37.8	42.5	9.71	38.1
		40		50	21.6	4.47	43.7	25.8	5.83	44.5	30.0	7.37	45.4	32.0	8.22	45.8	34.1	9.11	46.2	36.5	9.99	46.7	37.3	10.1	46.8	60	21.6	4.42	43.1	25.8	5.73	43.8	30.0	7.22	44.4	32.0	8.04	44.8	34.1	8.90	45.1	38.3	10.8	45.9	39.2	10.9	46.0	96	21.6	3.98	41.9	25.8	5.09	42.3	30.0	6.35																																			

# 4 Capacity tables

## 4 - 2 Cooling capacity tables

### RWEYQ24PY1

TC: Total Capacity: kW ; PI: Power Input: kW (compressor + outdoor fan motor) ; OWT: Outlet Water Temperatur: °C

Combination (%)	Inlet Water Temp. (°C)	Water Volume L/min	Indoor air temperature: °C DB																							
			14.0			16.0			18.0			19.0			20.0			22.0			24.0					
			TC kW	PI kW	OWT °C	TC kW	PI kW	OWT °C	TC kW	PI kW	OWT °C	TC kW	PI kW	OWT °C	TC kW	PI kW	OWT °C	TC kW	PI kW	OWT °C	TC kW	PI kW	OWT °C			
130	10	50	59.0	7.87	16.4	70.3	10.48	17.7	78.8	11.08	18.4	78.0	11.13	18.5	79.0	11.18	18.6	80.8	11.25	18.8	82.2	11.29	18.9			
		60	59.0	7.72	15.3	70.3	10.28	16.4	77.2	10.97	17.0	78.3	11.02	17.1	79.4	11.07	17.2	81.2	11.14	17.4	82.6	11.18	17.5			
		96	59.0	7.34	13.3	70.3	9.75	14.0	78.2	10.67	14.4	79.3	10.72	14.5	80.4	10.77	14.5	82.2	10.84	14.6	83.7	10.88	14.7			
	15	50	59.0	7.19	12.6	70.3	9.56	13.2	78.5	10.56	13.5	79.7	10.61	13.6	80.7	10.65	13.6	82.6	10.72	13.7	84.1	10.77	13.8			
		60	59.0	8.15	21.4	70.3	10.85	22.8	75.5	11.4	23.3	76.6	11.5	23.4	77.6	11.5	23.5	79.3	11.6	23.7	80.6	11.6	23.8			
		96	59.0	8.00	20.3	70.3	10.64	21.4	75.8	11.3	21.9	76.9	11.3	22.0	77.9	11.4	22.1	79.6	11.5	22.3	81.0	11.5	22.4			
	20	50	59.0	7.45	17.6	70.3	9.90	18.2	77.1	10.87	18.5	78.2	10.92	18.6	79.3	11.0	18.6	81.1	11.0	18.7	82.5	11.1	18.7			
		60	59.0	8.47	26.4	70.3	11.3	27.8	73.7	11.7	28.2	74.8	11.79	28.3	75.7	11.8	28.4	77.3	11.9	28.5	78.5	11.9	28.6			
		96	59.0	8.31	25.4	70.3	11.1	26.5	74.0	11.6	26.8	75.1	11.7	26.9	76.1	11.7	27.0	77.7	11.8	27.1	78.9	11.8	27.2			
	25	50	59.0	7.89	23.3	70.3	10.5	24.0	75.0	11.3	24.3	76.0	11.4	24.4	77.0	11.4	24.4	78.7	11.5	24.5	80.0	11.5	24.6			
		60	59.0	7.74	22.7	70.3	10.3	23.2	75.3	11.2	23.4	76.4	11.2	23.5	77.4	11.3	23.5	79.1	11.4	23.6	80.4	11.4	23.7			
		96	59.0	9.99	31.6	69.2	12.9	32.8	71.5	13.0	33.1	72.5	13.1	33.2	73.4	13.2	33.3	74.8	13.2	33.3	75.9	13.3	33.5			
30	50	59.0	9.80	30.5	69.5	12.8	31.6	71.9	12.9	31.8	72.9	13.0	31.8	73.8	13.0	31.9	75.2	13.1	32.0	76.3	13.1	32.1				
	60	59.0	9.30	28.4	70.3	12.4	29.1	72.8	12.6	29.2	73.8	12.6	29.3	74.7	12.7	29.3	76.2	12.7	29.4	77.3	12.8	29.5				
	96	59.0	9.12	27.7	70.3	12.2	28.3	73.1	12.4	28.4	74.1	12.5	28.4	75.1	12.5	28.5	76.6	12.6	28.6	77.8	12.7	28.6				
35	50	59.0	11.8	36.8	68.8	14.2	37.7	68.9	14.4	38.0	69.8	14.4	38.1	70.6	14.5	38.1	71.9	14.5	38.3	72.7	14.6	38.3				
	60	59.0	11.6	35.6	67.1	14.1	36.5	69.2	14.2	36.6	70.2	14.3	36.7	71.0	14.3	36.8	72.3	14.4	36.9	73.1	14.4	37.0				
	96	59.0	11.0	33.5	67.9	13.7	34.1	70.1	13.8	34.2	71.1	13.9	34.2	71.9	13.9	34.3	73.3	14.0	34.3	74.2	14.0	34.4				
40	50	59.0	10.8	32.8	68.2	13.6	33.3	70.4	13.7	33.4	71.4	13.8	33.4	72.3	13.8	33.4	73.6	13.9	33.5	74.6	13.9	33.5				
	60	59.0	14.1	42.0	63.9	15.6	42.6	65.8	15.7	42.8	67.4	15.8	42.9	67.4	15.8	42.9	68.4	15.8	43.1	69.0	15.8	43.1				
	96	59.0	13.9	40.8	64.2	15.4	41.3	66.2	15.5	41.5	67.0	15.6	41.6	67.7	15.6	41.6	68.8	15.7	41.7	69.4	15.7	41.8				
45	50	59.0	12.9	37.9	65.2	14.8	38.2	67.3	15.0	38.3	68.2	15.0	38.3	68.9	15.1	38.3	70.1	15.1	38.4	70.8	15.1	38.4				
	60	59.0	12.5	36.8	64.8	14.6	37.7	68.9	14.8	38.0	69.8	14.8	38.1	70.6	14.8	38.1	71.9	14.8	38.3	72.7	14.8	38.3				
	96	59.0	11.9	35.7	67.1	14.1	36.5	69.2	14.2	36.6	70.2	14.3	36.7	71.0	14.3	36.8	72.3	14.4	36.9	73.1	14.4	37.0				
120	50	54.4	6.94	15.9	64.9	9.19	17.1	75.4	11.08	18.3	76.6	11.07	18.4	77.7	11.12	18.5	79.6	11.20	18.7	81.1	11.26	18.8				
	60	54.4	6.81	14.9	64.9	9.02	15.9	75.4	10.88	16.9	77.0	10.96	17.0	78.0	11.01	17.1	79.9	11.09	17.2	81.5	11.15	17.4				
	96	54.4	6.47	13.0	64.9	8.56	13.7	75.4	10.53	14.3	77.0	10.66	14.4	78.0	10.71	14.5	81.0	10.79	14.6	82.6	10.85	14.7				
15	50	54.4	6.35	12.4	64.9	8.39	12.9	75.4	10.40	13.4	78.3	10.55	13.5	79.4	10.60	13.6	81.3	10.68	13.7	83.0	10.73	13.7				
	60	54.4	7.18	20.9	64.9	9.52	22.1	74.1	11.3	23.2	75.3	11.4	23.3	76.3	11.4	23.4	78.1	11.5	23.6	79.6	11.6	23.7				
	96	54.4	7.05	19.9	64.9	9.34	20.9	74.5	11.2	21.8	75.6	11.3	21.9	76.6	11.3	22.0	78.5	11.4	22.2	80.0	11.5	22.3				
20	50	54.4	6.70	18.0	64.9	8.86	18.7	75.4	10.92	19.3	76.5	11.0	19.4	77.6	11.0	19.4	79.5	11.1	19.5	81.0	11.2	19.6				
	60	54.4	6.57	17.4	64.9	8.69	17.9	75.4	10.78	18.4	76.9	10.86	18.5	78.0	10.91	18.5	79.8	11.0	18.6	81.4	11.0	18.7				
	96	54.4	7.46	25.9	64.9	9.89	27.1	72.4	11.7	28.0	73.5	11.7	28.1	74.5	11.8	28.2	76.2	11.9	28.4	77.6	11.9	28.6				
25	50	54.4	7.32	24.9	64.9	9.70	25.9	72.8	11.6	26.7	73.8	11.6	26.8	74.8	11.7	26.9	76.6	11.7	27.0	78.0	11.8	27.1				
	60	54.4	6.96	23.1	64.9	9.21	23.7	73.7	11.2	24.2	74.8	11.3	24.3	75.8	11.3	24.3	77.6	11.4	24.4	79.0	11.5	24.5				
	96	54.4	6.82	22.4	64.9	9.03	22.9	74.0	11.1	23.4	75.1	11.2	23.4	76.1	11.2	23.5	77.9	11.3	23.6	79.4	11.4	23.6				
30	50	54.4	8.79	31.0	64.9	11.7	32.3	70.3	13.0	33.0	71.3	13.0	33.1	72.3	13.1	33.2	73.9	13.2	33.3	75.1	13.2	33.4				
	60	54.4	8.62	30.0	64.9	11.5	31.1	70.6	12.8	31.6	71.7	12.9	31.7	72.6	13.0	31.8	74.2	13.0	32.0	75.5	13.1	32.1				
	96	54.4	8.19	28.1	64.9	10.9	28.8	71.5	12.5	29.2	72.6	12.6	29.2	73.5	12.6	29.3	75.2	12.7	29.4	76.5	12.8	29.4				
35	50	54.4	8.03	27.5	64.9	10.7	28.0	71.8	12.4	28.4	72.9	12.4	28.4	73.9	12.5	28.4	75.6	12.6	28.5	76.9	12.6	28.6				
	60	54.4	10.4	36.2	64.9	13.9	37.5	67.8	14.3	37.8	68.7	14.4	37.9	69.6	14.4	38.0	71.1	14.5	38.2	72.1	14.5	38.3				
	96	54.4	10.2	35.1	64.9	13.6	36.3	68.1	14.2	36.5	69.1	14.2	36.6	69.9	14.3	36.7	71.4	14.4	36.8	72.5	14.4	36.9				
40	50	54.4	9.69	33.2	64.9	12.9	33.9	68.9	13.8	34.1	69.9	13.8	34.2	70.8	13.9	34.2	72.3	14.0	34.3	73.5	14.0	34.4				
	60	54.4	9.50	32.5	64.9	12.6	33.1	69.3	13.6	33.3	70.3	13.7	33.3	71.2	13.7	33.4	72.7	13.8	33.4	73.9	13.9	33.5				
	96	54.4	12.4	41.4	62.7	15.5	42.5	64.8	15.6	42.7	65.7	15.7	42.8	66.5	15.7	42.9	67.7	15.8	43.0	68.6	15.9	43.1				
45	50	54.4	12.2	40.3	63.0	15.3	41.2	65.1	15.5	41.4	66.0	15.5	41.5	66.8	15.6	41.6	68.1	15.7	41.7	68.9	15.7	41.7				
	60	54.4	11.6	38.3	63.8	14.9	38.9	65.9	15.0	39.0	66.8	15.1	39.1	67.6	15.2	39.1	69.0	15.2	39.2	69.9	15.3	39.2				
	96	54.4	11.3	37.6	64.1	14.7	38.1	66.2	14.9	38.2	67.2	15.0	38.3	68.0	15.0	38.3	69.3	15.1	38.4	70.3	15.1	38.4				
110	50	49.9	6.07	15.3	59.5	7.99	16.4	69.1	10.19	17.6	73.9	10.93	18.1	76.2	11.05	18.3	78.2	11.14	18.5	79.8	11.21	18.7				
	60	49.9	5.95	14.4	59.5	7.84	15.4	69.1	9.99	16.3	73.9	10.80	16.7	76.2	10.94	17.0	78.5	11.03	17.1	80.2	11.10	17.3				
	96	49.9	5.66	12.8	59.5	7.44	13.3	69.1	9.48	13.9	73.9	10.45	14.2	77.5	10.64	14.4	79.5	10.73	14.5	81.2	10.80					

# 4 Capacity tables

## 4 - 2 Cooling capacity tables

Combination (%)		Inlet Water Temp. (°C)	Water Volume (L/min)	Indoor air temperature: °CDB																																																																																											
				14.0						16.0						18.0						19.0						20.0						22.0						24.0																																																							
				TC	PI	OWT	TC	PI	OWT	TC	PI	OWT	TC	PI	OWT	TC	PI	OWT	TC	PI	OWT	TC	PI	OWT	TC	PI	OWT	TC	PI	OWT	TC	PI	OWT	TC	PI	OWT	TC	PI	OWT																																																								
100	10	50	45.4	5.25	14.8	54.1	6.87	15.8	62.8	8.72	16.8	67.2	9.73	17.4	71.6	10.79	17.9	76.6	11.07	18.4	78.3	11.15	18.5	18.5	60	45.4	5.16	14.0	54.1	6.74	14.8	62.8	8.55	15.7	67.2	9.54	16.1	71.6	10.58	16.5	76.9	10.96	17.0	78.6	11.04	17.1	17.1	96	45.4	4.91	12.5	54.1	6.41	13.0	62.8	8.12	13.5	67.2	9.05	13.8	71.6	10.04	14.1	77.9	10.66	14.4	79.6	10.74	14.5	14.5	120	45.4	4.82	12.0	54.1	6.29	12.4	62.8	7.96	12.8	67.2	8.88	13.0	71.6	9.84	13.2	78.2	10.55	13.5	80.0	10.62	13.6	13.6		
		15	50	45.4	5.44	19.9	54.1	7.11	20.8	62.8	9.03	21.9	67.2	10.07	22.4	71.6	11.17	22.9	75.2	11.4	23.3	76.9	11.5	23.4	23.4	60	45.4	5.34	19.0	54.1	6.98	19.9	62.8	8.86	20.7	67.2	9.88	21.1	71.6	10.96	21.6	75.5	11.3	21.9	77.2	11.4	22.1	120	45.4	5.08	17.5	54.1	6.63	18.0	62.8	8.41	18.5	67.2	9.37	18.8	71.6	10.40	19.1	76.5	11.0	19.4	78.2	11.1	19.4	19.4																									
			20	50	45.4	5.65	24.9	54.1	7.39	25.9	62.8	9.38	26.9	67.2	10.5	27.4	71.6	11.6	28.0	73.4	11.7	28.1	75.0	11.8	28.3	28.3	60	45.4	5.54	24.1	54.1	7.25	24.9	62.8	9.20	25.7	67.2	10.3	26.2	71.6	11.4	26.6	73.8	11.6	26.8	75.4	11.7	26.9	120	45.4	5.27	22.5	54.1	6.89	23.0	62.8	8.74	23.6	67.2	9.75	23.8	71.6	10.8	24.1	74.7	11.3	24.3	76.4	11.4	24.4	24.4																								
				25	50	45.4	6.63	30.0	54.1	8.70	31.0	62.8	11.1	32.1	67.2	12.4	32.6	69.5	12.9	32.9	71.3	13.0	33.1	72.8	13.1	33.2	33.2	60	45.4	6.51	29.1	54.1	8.54	30.0	62.8	10.9	30.9	67.2	12.1	31.3	69.8	12.8	31.6	71.6	12.9	31.7	73.1	13.0	31.9	120	45.4	6.19	27.6	54.1	8.11	28.1	62.8	10.3	28.6	67.2	11.5	28.9	70.7	12.4	29.1	72.5	12.6	29.2	74.1	12.6	29.3	29.3																							
	30				50	45.4	7.82	35.1	54.1	10.3	36.2	62.8	13.1	37.3	66.1	14.2	37.7	67.0	14.2	37.8	68.7	14.4	37.9	70.1	14.4	38.1	38.1	60	45.4	7.67	34.2	54.1	10.1	35.1	62.8	12.9	36.0	66.4	14.0	36.4	67.3	14.1	36.5	69.0	14.2	36.6	70.4	14.3	36.7	120	45.4	7.29	32.6	54.1	9.59	33.2	62.8	12.2	33.7	67.2	13.7	34.0	68.2	13.7	34.1	69.9	13.8	34.2	71.3	13.9	34.2	34.2																							
		35			50	45.4	9.29	40.2	54.1	12.3	41.3	62.3	15.4	42.4	63.2	15.5	42.5	64.1	15.6	42.6	65.6	15.7	42.6	66.9	15.8	42.9	42.9	60	45.4	9.12	39.3	54.1	12.0	40.3	62.6	15.3	41.2	63.5	15.3	41.3	64.4	15.4	41.4	65.9	15.5	41.5	67.2	15.6	41.6	120	45.4	8.66	37.7	54.1	11.4	38.3	62.8	14.6	38.9	64.3	14.9	38.9	65.2	15.0	39.0	66.8	15.1	39.1	68.1	15.2	39.1	39.1																							
			40		50	45.4	11.3	45.4	47.1	11.4	45.6	48.5	11.5	45.7	49.0	11.5	45.8	49.5	11.6	45.8	50.1	11.6	45.9	50.4	11.6	45.9	45.9	60	45.4	11.0	44.5	49.5	12.3	44.9	51.1	12.4	45.1	51.7	12.5	45.1	52.3	12.5	45.2	53.1	12.5	45.2	53.6	12.5	45.3	120	45.4	9.58	42.7	54.1	12.7	43.3	58.1	13.9	43.6	59.0	14.0	43.6	59.7	14.0	43.7	61.0	14.1	43.7	62.0	14.2	43.8	43.8																							
				45	50	45.4	13.8	48.8	49.5	13.9	49.0	50.5	14.0	50.0	50.5	14.0	50.0	51.5	14.1	50.1	51.5	14.1	50.2	51.5	14.1	50.3	50.3	60	45.4	13.5	48.3	49.0	13.6	48.4	49.5	13.7	48.5	50.0	13.7	48.6	50.5	13.7	48.7	51.0	13.7	48.8	51.5	13.7	48.9	120	45.4	10.8	47.2	49.5	12.0	47.4	50.9	12.1	47.5	51.6	12.1	47.5	52.1	12.2	47.6	52.9	12.2	47.6	53.4	12.2	47.6	47.6																							
	10				50	40.8	4.50	14.3	48.7	5.84	15.2	56.5	7.37	16.1	60.5	8.20	16.6	64.4	9.08	17.0	72.3	10.83	17.9	76.5	11.07	18.4	18.4	60	40.8	4.42	13.6	48.7	5.74	14.3	56.5	7.23	15.1	60.5	8.04	15.5	64.4	8.90	15.8	72.3	10.71	16.6	76.9	10.96	17.0	17.0	96	40.8	4.21	12.2	48.7	5.45	12.7	56.5	6.87	13.2	60.5	7.64	13.4	64.4	8.45	13.6	72.3	10.20	14.1	77.8	10.66	14.4	14.4	120	40.8	4.13	11.8	48.7	5.35	12.2	56.5	6.74	12.5	60.5	7.49	12.7	64.4	8.29	12.9	72.3	10.00	13.3	78.2	10.55	13.5
		15			50	40.8	4.66	19.3	48.7	6.05	20.2	56.5	7.63	21.1	60.5	8.49	21.6	64.4	9.40	22.1	72.3	11.2	23.0	75.2	11.4	23.3	23.3	60	40.8	4.58	18.6	48.7	5.94	19.4	56.5	7.48	20.1	60.5	8.33	20.5	64.4	9.22	20.9	72.3	11.09	21.6	75.5	11.3	21.9	120	40.8	4.36	17.2	48.7	5.65	17.7	56.5	7.11	18.2	60.5	7.91	18.4	64.4	8.75	18.6	72.3	10.57	19.1	76.4	11.0	19.4	19.4																							
			20		50	40.8	4.84	24.4	48.7	6.28	25.3	56.5	7.93	26.2	60.5	8.82	26.6	64.4	9.77	27.1	71.7	11.6	28.0	73.4	11.8	28.1	28.1	60	40.8	4.75	23.6	48.7	6.17	24.4	56.5	7.78	25.1	60.5	8.66	25.5	64.4	9.58	25.9	72.1	11.5	26.7	73.7	11.6	26.8	120	40.8	4.52	22.3	48.7	5.86	22.7	56.5	7.39	23.2	60.5	8.22	23.4	64.4	9.10	23.7	72.3	11.0	24.1	74.7	11.3	24.3	24.3																							
				25	50	40.8	4.44	21.8	48.7	5.75	22.2	56.5	7.25	22.5	60.5	8.06	22.7	64.4	8.92	22.9	72.3	10.8	23.3	75.0	11.2	23.4	23.4	60	40.8	4.67	34.5	48.7	8.72	35.5	56.5	11.1	36.5	60.5	12.3	37.0	64.4	13.7	37.5	67.2	14.3	37.8	68.6	14.4	37.9	120	40.8	4.28	16.8	48.7	5.54	17.2	56.5	6.97	17.5	60.5	7.75	17.7	64.4	8.58	17.9	72.3	10.36	18.3	76.8	10.86	18.5	18.5																							
30	50				40.8	5.67	29.4	48.7	7.39	30.4	56.5	9.34	31.3	60.5	10.4	31.8	64.4	11.5	32.3	69.7	12.9	32.9	71.2	13.0	33.1	33.1	60	40.8	5.57	28.7	48.7	7.25	29.5	56.5	9.16	30.2	60.5	10.2	30.6	64.4	11.3	31.0	70.0	12.8	31.6	71.6	12.9	31.7	120	40.8	5.30	27.3	48.7	6.89	27.8	56.5	8.70	28.2	60.5	9.69	28.5	64.4	10.7	28.7	70.8	12.5	29.1	72.5	12.6	29.2	29.2																								
	35	50			40.8	6.67	34.5	48.7	8.72	35.5	56.5	11.1	36.5	60.5	12.3	37.0	64.4	13.7	37.5	67.2	14.3	37.8	68.6	14.4	37.9	37.9	60	40.8	6.55	33.8	48.7	8.56	34.6	56.5	10.8	35.4	60.5	12.1	35.8	64.4	13.4	36.2	67.5	14.1	36.5	69.0	14.2	36.6	120	40.8	6.23	32.3	48.7	8.13	32.8	56.5	10.3	33.3	60.5	11.5	33.6	64.4	12.7	33.8	68.3	13.7	34.1	69.8	13.8	34.2	34.2																								
		40	50		40.8	7.91	39.7	48.7	10.4	40.6	56.5	13.2	41.7	60.5	14.7	42.2	62.6	15.5	42.5	64.2	15.6	42.6	65.6	15.7	42.8	42.8	60	40.8	7.76	38.9	48.7	10.2	39.7	56.5	12.9	40.5	60.5	14.5	41.0	62.9	15.3	41.2	64.5	15.4	41.4	65.9	15.5	41.5	120	40.8	7.38	37.4	48.7	9.67	37.9	56.5	12.3	38.4	60.5	13.7	38.7	63.7	14.9	38.9	65.3	15.0	39.0	66.8	15.1	39.1	39.1																								
			45	50	40.8	9.49	44.8	48.7	11.3	45.5	47.5	11.4	45.6	48.1	11.5	45.7	48.7	11.5	45.8	49.5	11.6	45.8	50.1	11.6	45.9	45.9	60	40.8	9.28	44.0	48.4	12.2	44.8	50.0	12.3	45.0	50.7	12.4	45.0	51.3	12.4	45.1	52.3	12.5	45.2	53.1	12.5	45.2	120	40.8	8.86	41.9	48.7	10.4	42.4	56.5	13.2	42.8	58.1	13.6	42.9	58.9	13.7	42.9	60.4	13.8	43.0	61.6	13.9	43.0	43.0																								
10				50	36.3	3.81	13.8	43.3	4.90	14.6	50.3	6.14	15.4	53.8	6.81	15.8	57.3	7.51	16.2	64.2	9.04	17.0	71.2	10.71	17.8	17.8	60	36.3	3.75	13.2	43.3	4.81	13.8	50.3	6.02	14.5	53.8	6.68	14.8	57.3	7.37	15.1	64.2	8.87	15.8	71.2	10.50	16.5	16.5	96	36.3	3.57	12.0	43.3	4.58	12.4	50.3	5.73	12.8	53.8	6.35	13.0	57.3	7.00	13.2	64.2	8.42	13.6	71.2	9.96	14.0	14.0	120	36.3	3.51	11.6	43.3	4.50	11.9	50.3	5.62	12.2	53.8	6.23	12.4	57.3	6.87	12.6	64.2	8.25	12.9	71.2	9.77	13.2	13.2
	15			50	36.3	3.95	18.8	43.3	5.07	19.6	50.3	6.35	20.4	53.8	7.05	20.8	57.3	7.78	21.2	64.2	9.36	22.0	71.2	11.09	22.9	22.9	60	36.3	3.88	18.2	43.3	4.98	18.8	50.3	6.23	19.5	53.8	6.92	19.8	57.3	7.63	20.2	64.2	9.18	20.8	71.2	10.87	21.5	120	36.3	3.69	17.0	43.3	4.																																									

# 4 Capacity tables

## 4 - 2 Cooling capacity tables

### RWEYQ24PY1

TC: Total Capacity: kW ; PI: Power Input: kW (compressor + outdoor fan motor) ; OWT: Outlet Water Temperatur: °C

Combination (%)	Inlet Water Temp. (°C)	Water Volume L/min	Indoor air temperature: °CDB																							
			14.0			16.0			18.0			19.0			21.0			22.0			24.0					
			TC kW	PI kW	OWT °C	TC kW	PI kW	OWT °C	TC kW	PI kW	OWT °C	TC kW	PI kW	OWT °C	TC kW	PI kW	OWT °C	TC kW	PI kW	OWT °C	TC kW	PI kW	OWT °C			
70	10	50	31.7	3.19	13.3	37.9	4.05	14.0	44.0	5.02	14.7	47.0	5.55	15.0	50.1	6.11	15.4	56.2	7.30	16.1	62.3	8.61	16.8			
		60	31.7	3.13	12.8	37.9	3.98	13.3	44.0	4.93	13.9	47.0	5.45	14.2	50.1	5.99	14.5	56.2	7.16	15.0	62.3	8.44	15.6			
		120	31.7	2.99	11.7	37.9	3.79	12.1	44.0	4.69	12.4	47.0	5.18	12.6	50.1	5.70	12.8	56.2	6.81	13.1	62.3	8.02	13.5			
	15	50	31.7	3.30	18.3	37.9	4.19	19.0	44.0	5.20	19.7	47.0	5.74	20.0	50.1	6.32	20.4	56.2	7.56	21.1	62.3	8.91	21.8			
		60	31.7	3.24	17.8	37.9	4.11	18.3	44.0	5.10	18.9	47.0	5.64	19.2	50.1	6.20	19.5	56.2	7.42	20.1	62.3	8.74	20.7			
		120	31.7	3.09	16.7	37.9	3.92	17.1	44.0	4.85	17.4	47.0	5.36	17.6	50.1	5.90	17.8	56.2	7.04	18.1	62.3	8.30	18.5			
	20	50	31.7	3.42	23.4	37.9	4.35	24.0	44.0	5.40	24.7	47.0	5.97	25.1	50.1	6.56	25.4	56.2	7.85	26.1	62.3	9.26	26.8			
		60	31.7	3.36	22.8	37.9	4.27	23.4	44.0	5.30	23.9	47.0	5.86	24.2	50.1	6.44	24.5	56.2	7.71	25.1	62.3	9.09	25.7			
		120	31.7	3.20	21.7	37.9	4.07	22.1	44.0	5.04	22.4	47.0	5.57	22.6	50.1	6.12	22.8	56.2	7.32	23.2	62.3	8.63	23.5			
	25	50	31.7	3.99	28.4	37.9	5.09	29.1	44.0	6.33	29.8	47.0	7.01	30.2	50.1	7.72	30.5	56.2	9.25	31.3	62.3	10.9	32.0			
		60	31.7	3.92	27.8	37.9	5.00	28.4	44.0	6.22	29.0	47.0	6.88	29.3	50.1	7.58	29.6	56.2	9.08	30.2	62.3	10.7	30.8			
		120	31.7	3.74	26.8	37.9	4.76	27.1	44.0	5.91	27.5	47.0	6.54	27.7	50.1	7.20	27.9	56.2	8.62	28.2	62.3	10.2	28.6			
	30	50	31.7	4.66	33.5	37.9	5.98	34.2	44.0	7.46	34.9	47.0	8.27	35.3	50.1	9.12	35.7	56.2	11.0	36.4	62.3	13.0	37.2			
		60	31.7	4.58	32.9	37.9	5.87	33.5	44.0	7.32	34.1	47.0	8.11	34.4	50.1	8.95	34.7	56.2	10.7	35.3	62.3	12.7	36.0			
		120	31.7	4.37	31.8	37.9	5.59	32.2	44.0	6.96	32.5	47.0	7.71	32.7	50.1	8.50	32.9	56.2	10.2	33.3	62.3	12.1	33.7			
	35	50	31.7	4.29	31.4	37.9	5.48	31.7	44.0	6.83	32.0	47.0	7.57	32.2	50.1	8.34	32.3	56.2	10.0	32.6	62.3	11.8	33.0			
		60	31.7	5.49	38.6	37.9	7.07	39.3	44.0	8.86	40.1	47.0	9.83	40.4	50.1	10.9	40.8	56.2	13.1	41.6	62.3	15.4	42.4			
		120	31.7	5.14	36.8	37.9	6.60	37.2	44.0	8.26	37.6	47.0	9.17	37.8	50.1	10.1	38.0	56.2	12.2	38.4	62.3	14.4	38.8			
	40	50	31.7	5.05	36.5	37.9	6.48	36.8	44.0	8.11	37.1	47.0	8.99	37.2	50.1	9.92	37.4	56.2	11.9	37.7	62.3	14.1	38.0			
		60	31.7	6.37	43.6	37.9	8.40	44.4	44.0	10.7	45.2	47.0	11.3	45.4	46.3	11.3	45.5	47.4	11.4	45.6	48.4	11.5	45.7			
		120	31.7	5.27	43.0	37.9	8.23	43.7	44.0	10.5	44.3	47.0	11.7	44.7	48.7	12.2	44.9	49.9	12.3	45.0	51.0	12.4	45.0			
	45	50	31.7	6.58	41.9	37.9	7.24	42.2	44.0	9.12	42.6	47.0	10.1	42.8	50.1	11.2	43.1	56.2	13.6	43.5	58.0	13.9	43.6			
		60	31.7	5.41	41.5	37.9	7.01	41.8	44.0	8.83	42.1	47.0	9.82	42.3	50.1	10.9	42.4	56.2	13.1	42.8	58.5	13.7	42.9			
		120	31.7	7.08	48.6	37.9	7.16	48.7	44.0	9.22	48.8	47.0	10.2	48.8	33.2	7.25	48.9	33.5	7.25	48.9	33.5	7.22	48.9			
60	10	50	27.21	2.62	12.9	32.5	3.28	13.4	37.7	4.02	14.0	40.3	4.43	14.3	42.9	4.85	14.6	48.2	5.75	15.2	53.4	6.74	15.8			
		60	27.21	2.58	12.4	32.5	3.22	12.8	37.7	3.95	13.3	40.3	4.35	13.6	42.9	4.76	13.8	48.2	5.65	14.3	53.4	6.62	14.6			
		120	27.21	2.46	11.5	32.5	3.07	11.8	37.7	3.76	12.1	40.3	4.14	12.2	42.9	4.53	12.4	48.2	5.37	12.7	53.4	6.29	13.0			
	15	50	27.21	2.71	17.9	32.5	3.39	18.4	37.7	4.16	19.0	40.3	4.58	19.3	42.9	5.02	19.6	48.2	5.96	20.2	53.4	6.98	20.8			
		60	27.21	2.66	17.4	32.5	3.33	17.9	37.7	4.09	18.3	40.3	4.50	18.6	42.9	4.93	18.8	48.2	5.85	19.3	53.4	6.85	19.8			
		120	27.21	2.54	16.5	32.5	3.18	16.8	37.7	3.89	17.1	40.3	4.28	17.2	42.9	4.69	17.4	48.2	5.56	17.7	53.4	6.51	18.0			
	20	50	27.21	2.50	16.2	32.5	3.12	16.4	37.7	3.82	16.7	40.3	4.20	16.8	42.9	4.60	16.9	48.2	5.45	17.1	53.4	6.38	17.4			
		60	27.2	2.81	22.9	32.5	3.52	23.4	37.7	4.32	24.0	40.3	4.75	24.3	42.9	5.21	24.6	48.2	6.19	25.2	53.4	7.25	25.8			
		120	27.2	2.76	22.4	32.5	3.46	22.9	37.7	4.24	23.3	40.3	4.67	23.6	42.9	5.11	23.8	48.2	6.07	24.3	53.4	7.12	24.8			
	25	50	27.2	2.64	21.5	32.5	3.30	21.8	37.7	4.04	22.1	40.3	4.44	22.2	42.9	4.87	22.4	48.2	5.77	22.7	53.4	6.76	23.0			
		60	27.2	2.59	21.2	32.5	3.24	21.4	37.7	3.97	21.7	40.3	4.36	21.8	42.9	4.78	21.9	48.2	5.66	22.1	53.4	6.63	22.4			
		120	27.2	3.27	27.9	32.5	4.11	28.5	37.7	5.06	29.1	40.3	5.57	29.4	42.9	6.11	29.7	48.2	7.27	30.3	53.4	8.54	30.9			
	30	50	27.2	3.01	26.5	32.5	3.85	26.8	37.7	4.73	27.1	40.3	5.21	27.3	42.9	5.71	27.4	48.2	6.78	27.7	53.4	7.96	28.1			
		60	27.2	3.06	26.2	32.5	3.78	26.4	37.7	4.64	26.7	40.3	5.11	26.8	42.9	5.60	26.9	48.2	6.65	27.2	53.4	7.80	27.4			
		120	27.2	3.80	33.0	32.5	4.81	33.6	37.7	5.94	34.2	40.3	6.55	34.5	42.9	7.20	34.8	48.2	8.58	35.4	53.4	10.1	36.1			
	35	50	27.2	3.74	32.5	32.5	4.72	33.0	37.7	5.83	33.5	40.3	6.43	33.7	42.9	7.06	34.0	48.2	8.42	34.5	53.4	9.90	35.0			
		60	27.2	3.57	31.5	32.5	4.50	31.8	37.7	5.55	32.2	40.3	6.12	32.3	42.9	6.72	32.5	48.2	8.00	32.8	53.4	9.41	33.1			
		120	27.2	3.51	31.2	32.5	4.42	31.5	37.7	5.45	31.7	40.3	6.01	31.8	42.9	6.59	32.0	48.2	7.85	32.2	53.4	9.22	32.5			
	40	50	27.2	4.46	38.0	32.5	5.66	38.6	37.7	7.02	39.3	40.3	7.76	39.6	42.9	8.54	39.9	48.2	10.2	40.6	53.4	12.0	41.3			
		60	27.2	4.38	37.5	32.5	5.56	38.0	37.7	6.90	38.6	40.3	7.62	38.8	42.9	8.38	39.1	48.2	10.0	39.6	53.4	11.8	40.0			
		120	27.2	4.18	36.6	32.5	5.30	36.9	37.7	6.56	37.2	40.3	7.25	37.4	42.9	7.97	37.5	48.2	9.52	37.9	53.4	11.2	38.2			
	45	50	27.2	4.11	36.2	32.5	5.20	36.5	37.7	6.44	36.8	40.3	7.11	36.9	42.9	7.82	37.0	48.2	9.34	37.3	53.4	11.0	37.6			
		60	27.2	5.06	43.1	32.5	6.59	43.7	37.7	8.35	44.4	40.3	9.30	44.7	42.9	10.3	45.1	48.2	11.3	45.5	47.0	11.4	45.6			
		120	27.2	5.00	42.6	32.5	6.48	43.1	37.7	8.17	43.7	40.3	9.10	43.9	42.9	10.1	44.2	48.2	12.2	44.8	49.4	12.3	44.9			
50	10	50	27.2	4.50	41.6	32.5	5.76	41.9	37.7	7.19	42.2	40.3	7.97	42.4	42.9	8.79	42.6	48.2	10.5	42.9	53.4	12.5	43.3			
		60	27.2	4.37	41.3	32.5	5.58	41.5	37.7	6.96	41.8	40.3	7.71	41.9	42.9	8.50	42.0	48.2	10.2	42.3	53.4	12.1	42.6			
		120	27.2	5.95	48.2	30.6	7.09	48.6	31.6	7.16	48.7	32.1	7.19	48.8	32.4	7.21	48.8	33.0	7.24	48.8	33.4	7.25	48.9			



# 4 Capacity tables

## 4 - 2 Cooling capacity tables

### RWEYQ26PY1,PYL,PTL

TC: Total Capacity: kW ; PI: Power Input: kW (compressor + outdoor fan motor) ; OWT: Outlet Water Temperatur: °C

Combination (%)	Inlet Water Temp. (°C)	Water Volume L/min	Indoor air temperature: °CDB																																																																																							
			14.0			16.0			18.0			19.0			20.0			22.0			24.0																																																																					
			TC	PI	OWT	TC	PI	OWT	TC	PI	OWT	TC	PI	OWT	TC	PI	OWT	TC	PI	OWT	TC	PI	OWT																																																																			
130	10	50	62.7	8.73	16.8	74.8	11.62	18.3	81.8	12.3	19.0	83.0	12.3	19.1	84.1	12.4	19.2	85.9	12.5	19.4	87.4	12.5	19.5	60	62.7	8.56	15.7	74.8	11.39	16.9	82.1	12.2	17.5	83.3	12.2	17.6	84.5	12.3	17.7	86.4	12.3	17.9	87.9	12.4	18.0	96	62.7	8.13	13.5	74.8	10.81	14.3	83.2	11.83	14.7	84.4	11.89	14.8	85.5	11.93	14.9	87.5	12.01	15.0	89.0	12.06	15.0	120	62.7	7.97	12.8	74.8	10.60	13.4	83.5	11.71	13.8	84.8	11.76	13.8	85.9	11.81	13.9	87.9	11.89	14.0	89.5	11.93	14.0	
		15	50	62.7	9.03	21.9	74.8	12.0	23.3	80.3	12.6	23.9	81.5	12.7	24.0	82.5	12.8	24.1	84.3	12.8	24.3	85.7	12.9	24.4	60	62.7	8.86	20.7	74.8	11.8	21.9	80.7	12.5	22.4	81.8	12.6	22.5	82.9	12.6	22.6	84.7	12.7	22.8	86.1	12.8	22.9	96	62.7	8.42	18.5	74.8	11.19	19.3	81.7	12.2	19.7	82.9	12.2	19.7	84.0	12.3	19.8	85.8	12.4	19.9	87.3	12.4	20.0	120	62.7	8.25	17.8	74.8	10.97	18.4	82.0	12.0	18.7	83.3	12.1	18.8	84.4	12.2	18.8	86.3	12.2	18.9	87.8	12.3	19.0
			20	50	62.7	9.39	26.9	74.8	12.5	28.3	78.4	13.0	28.7	79.5	13.1	28.8	80.5	13.1	29.0	82.2	13.2	29.1	83.5	13.2	29.2	60	62.7	9.21	25.7	74.8	12.3	26.9	78.8	12.9	27.3	79.9	12.9	27.4	80.9	13.0	27.5	82.6	13.1	27.6	83.9	13.1	27.7	96	62.7	8.75	23.6	74.8	11.6	24.3	79.8	12.5	24.6	80.9	12.6	24.7	82.0	12.6	24.7	83.7	12.7	24.8	85.1	12.8	24.9	120	62.7	8.58	22.8	74.8	11.4	23.4	80.1	12.4	23.7	81.3	12.5	23.7	82.3	12.5	23.8	84.1	12.6	23.9	85.5	12.6
	25			50	62.7	11.1	32.1	73.7	14.3	33.4	76.1	14.5	33.7	77.2	14.5	33.8	78.1	14.6	33.9	79.6	14.7	34.0	80.7	14.7	34.1	60	62.7	10.9	30.9	74.0	14.2	32.0	76.5	14.3	32.2	77.5	14.4	32.3	78.5	14.4	32.4	80.0	14.5	32.5	81.2	14.6	32.6	96	62.7	10.3	28.6	74.8	13.7	29.4	77.4	13.9	29.5	78.5	14.0	29.6	79.5	14.0	29.7	81.1	14.1	29.7	82.3	14.2	29.8	120	62.7	10.1	27.9	74.8	13.5	28.5	77.8	13.8	28.6	78.9	13.8	28.7	79.9	13.9	28.7	81.5	14.0	28.8	82.7	14.0
		30		50	62.7	13.1	37.2	71.0	15.8	38.3	73.3	15.9	38.5	74.3	16.0	38.6	75.2	16.0	38.7	76.5	16.1	38.9	77.4	16.1	38.9	60	62.7	12.9	36.0	71.3	15.6	36.9	73.7	15.8	37.1	74.7	15.8	37.2	75.5	15.9	37.3	76.9	16.0	37.4	77.8	16.0	37.5	96	62.7	12.2	33.7	72.2	15.2	34.4	74.6	15.3	34.5	75.6	15.4	34.5	76.5	15.5	34.6	78.0	15.5	34.7	78.9	15.6	34.7	120	62.7	12.0	33.0	72.6	15.0	33.5	75.0	15.2	33.6	76.0	15.2	33.6	76.9	15.3	33.7	78.3	15.4	33.7	79.4	15.4
			35	50	62.7	15.7	42.5	67.9	17.2	43.1	70.1	17.4	43.4	70.9	17.5	43.4	71.7	17.5	43.5	72.8	17.6	43.6	73.4	17.6	43.7	60	62.7	15.4	41.2	68.3	17.1	41.8	70.4	17.2	42.0	71.3	17.3	42.1	72.0	17.3	42.1	73.2	17.4	42.2	73.8	17.4	42.3	96	62.7	14.6	38.8	69.1	16.6	39.3	71.3	16.8	39.4	72.2	16.8	39.4	73.0	16.9	39.5	74.2	16.9	39.5	74.9	16.9	39.6	120	62.7	14.3	38.1	69.4	16.4	38.4	71.6	16.6	38.5	72.6	16.7	38.6	73.4	16.7	38.6	74.6	16.8	38.6	75.3	16.8
	40			50	61.0	12.7	46.1	62.5	12.8	46.2	63.4	12.8	46.3	63.6	12.8	46.3	63.6	12.8	46.3	63.6	12.8	46.3	63.6	12.8	46.3	60	61.0	12.7	45.4	63.4	12.8	45.5	65.6	13.9	45.6	65.9	13.9	45.6	67.1	13.9	45.7	67.0	13.8	45.6	68.2	13.8	45.6	96	61.0	12.4	43.8	63.3	12.5	43.9	65.1	13.7	44.0	65.8	13.7	44.1	66.4	13.7	44.1	67.1	13.7	44.1	67.3	13.7	44.1	120	61.5	12.1	43.1	63.9	12.3	43.2	65.7	13.5	43.2	66.4	13.5	43.3	67.0	13.5	43.3	67.8	13.5	43.3	68.0	13.5
		45		50	35.7	8.02	49.2	35.3	7.90	49.1	33.8	7.68	49.0	32.7	7.52	48.8	31.4	7.34	48.7	27.9	6.89	48.3	23.4	6.33	47.8	60	39.1	8.85	48.8	39.3	8.79	48.8	38.5	8.64	48.8	37.8	8.52	48.7	36.8	8.38	48.6	34.1	8.02	48.4	30.5	7.56	48.0	96	48.8	11.6	48.0	50.1	11.7	48.1	50.8	11.7	48.1	50.8	11.7	48.1	50.7	11.6	48.1	49.8	11.4	48.1	48.3	11.2	48.0	120	53.5	13.4	47.7	55.3	13.5	47.7	56.4	13.5	47.8	56.7	13.5	47.8	56.9	13.5	47.8	56.9	13.5	47.8	56.8	13.4
			10	50	57.9	7.69	16.3	69.1	10.19	17.6	80.2	12.2	18.8	81.5	12.3	19.0	82.7	12.3	19.1	84.6	12.4	19.3	86.3	12.5	19.4	60	57.9	7.55	15.2	69.1	9.99	16.3	80.2	12.06	17.3	81.9	12.2	17.5	83.0	12.2	17.6	85.1	12.3	17.8	86.7	12.4	17.9	96	57.9	7.17	13.2	69.1	9.49	13.9	80.2	11.67	14.6	82.9	11.82	14.7	84.1	11.87	14.8	86.1	11.96	14.9	87.9	12.02	15.0	120	57.9	7.03	12.6	69.1	9.30	13.1	80.2	11.53	13.7	83.3	11.69	13.8	84.5	11.75	13.8	86.5	11.83	13.9	88.3	11.90
	15			50	57.9	7.96	21.3	69.1	10.55	22.6	78.9	12.6	23.7	80.1	12.6	23.9	81.2	12.7	24.0	83.1	12.8	24.2	84.7	12.8	24.3	60	57.9	7.81	20.2	69.1	10.35	21.3	79.2	12.4	22.3	80.4	12.5	22.4	81.5	12.6	22.5	83.5	12.7	22.7	85.1	12.7	22.8	96	57.9	7.42	18.3	69.1	9.82	18.9	80.2	12.1	19.6	81.4	12.2	19.7	82.6	12.2	19.7	84.6	12.3	19.8	86.2	12.4	19.9	120	57.9	7.28	17.6	69.1	9.63	18.1	80.2	12.0	18.7	81.8	12.0	18.7	83.0	12.1	18.8	85.0	12.2	18.9	86.6	12.2
		20		50	57.9	8.27	26.3	69.1	11.0	27.6	77.1	12.9	28.6	78.2	13.0	28.7	79.3	13.1	28.8	81.1	13.1	28.9	82.5	13.2	29.2	60	57.9	8.12	25.3	69.1	10.8	26.4	77.4	12.8	27.2	78.6	12.9	27.3	79.6	12.9	27.4	81.5	13.0	27.5	83.0	13.1	27.6	96	57.9	7.71	23.3	69.1	10.2	23.9	78.4	12.5	24.5	79.5	12.5	24.6	80.6	12.6	24.6	82.5	12.7	24.7	84.1	12.7	24.8	120	57.9	7.56	22.6	69.1	10.0	23.1	78.7	12.3	23.6	79.9	12.4	23.7	81.0	12.4	23.7	82.9	12.5	23.8	84.5	12.6
			25	50	57.9	9.74	31.5	69.1	12.9	32.8	74.8	14.4	33.5	75.9	14.5	33.6	76.9	14.5	33.7	78.6	14.6	33.9	79.9	14.7	34.0	60	57.9	9.56	30.4	69.1	12.7	31.5	75.1	14.2	32.1	76.2	14.3	32.2	77.3	14.4	32.3	79.0	14.5	32.4	80.3	14.5	32.6	96	57.9	9.08	28.3	69.1	12.0	29.0	76.1	13.9	29.5	77.2	13.9	29.5	78.2	14.0	29.6	80.0	14.1	29.7	81.4	14.1	29.8	120	57.9	8.90	27.7	69.1	11.8	28.2	76.4	13.7	28.6	77.6	13.8	28.6	78.6	13.8	28.7	80.4	13.9	28.8	81.8	14.0
30	50			57.9	11.5	36.6	69.1	15.4	38.1	72.1	15.8	38.4	73.1	15.9	38.5	74.1	16.0	38.6	76.6	16.1	38.8	77.6	16.1	38.9	60	57.9	11.3	35.5	69.1	15.1	36.7	72.4	15.7	37.0	73.5	15.8	37.1	74.4	15.8	37.2	76.0	15.9	37.3	77.1	16.0	37.4	96	57.9	10.7	33.4	69.1	14.3	34.1	73.3	15.3	34.4	74.4	15.3	34.5	75.4	15.4	34.5	77.0	15.5	34.6	78.2	15.5	34.7	120	57.9	10.5	32.7	69.1	14.0	33.3	73.7	15.1	33.5	74.8	15.2	33.6	75.7	15.2	33.6	77.4	15.3	33.7	78.6	15.4	33.7
	35	50		57.9	13.7	41.8	66.8	17.1	43.0	68.9	17.3	43.2	69.9	17.4	43.3	70.7	17.5	43.4	72.0	17.5	43.6	73.0	17.6	43.7	60	57.9	13.5	40.7	67.1	17.0	41.7	69.3	17.1	41.9	70.2	17.2	42.0	71.1	17.3	42.0	72.4	17.4	42.2	73.4	17.4	42.2	96	57.9	12.8	38.5	67.9	16.5	39.2	70.1	16.7	39.3	71.1	16.8	39.4	72.0	16.8	39.4	73.4	16.9	39.5	74.4	16.9	39.5	120	57.9	12.6	37.8	68.2	16.3	38.4	70.5	16.5	38.5	71.4	16.6	38.5	72.3	16.6	38.5	73.8	16.7	38.6	74.8	16.8	38.6
		40	50	50.1	12.6	46.0	51.9	12.8	46.2	53.0	12.8	46.3	53.3	12.8	46.3	53.5	12.8	46.3	53.5	12.7	46.3	52.9	12.6	46.3	60	52.7	13.6	45.3	54.7	13.8	45.5	56.0	13.9	45.6	56.5	13.9	45.6	56.9	13.9	45.6	57.1	13.9	45.7	57.0	13.8	45.6	96	57.9																																										

# 4 Capacity tables

## 4 - 2 Cooling capacity tables

### RWEYQ26PY1

TC: Total Capacity: kW ; PI: Power Input: kW (compressor + outdoor fan motor) ; OWT: Outlet Water Temperatur: °C

Combination (%)	Inlet Water Temp. (°C)	Water Volume l/min	Indoor air temperature: °CDB																							
			14.0			16.0			18.0			19.0			20.0			22.0			24.0					
			TC	PI	OWT	TC	PI	OWT	TC	PI	OWT	TC	PI	OWT	TC	PI	OWT	TC	PI	OWT	TC	PI	OWT			
100	10	50	48.3	5.82	15.2	57.6	7.62	16.2	66.9	9.66	17.3	71.5	10.78	17.9	76.1	11.96	18.4	81.5	12.3	19.0	83.3	12.4	19.1			
		60	48.3	5.72	14.3	57.6	7.48	15.2	66.9	9.48	16.1	71.5	10.57	16.5	76.1	11.73	17.0	81.8	12.1	17.5	83.7	12.2	17.6			
		96	48.3	5.44	12.7	57.6	7.10	13.2	66.9	9.00	13.8	71.5	10.03	14.1	76.1	11.13	14.3	82.8	11.82	14.7	84.7	11.90	14.8			
	15	50	48.3	6.03	20.2	57.6	7.89	21.3	66.9	10.01	22.3	71.5	11.16	22.9	76.1	12.4	23.5	80.0	12.6	23.9	81.8	12.7	24.0			
		60	48.3	5.92	19.3	57.6	7.74	20.2	66.9	9.82	21.1	71.5	10.95	21.6	76.1	12.1	22.0	80.4	12.5	22.4	82.2	12.6	22.5			
		96	48.3	5.63	17.7	57.6	7.35	18.2	66.9	9.32	18.8	71.5	10.39	19.1	76.1	11.5	19.4	81.4	12.2	19.7	83.2	12.3	19.8			
	20	50	48.3	6.26	25.2	57.6	8.19	26.3	66.9	10.4	27.4	71.5	11.6	27.9	76.1	12.9	28.5	78.1	13.0	28.7	79.8	13.1	28.9			
		60	48.3	6.15	24.3	57.6	8.04	25.2	66.9	10.2	26.1	71.5	11.4	26.6	76.1	12.6	27.1	78.5	12.9	27.3	80.2	13.0	27.4			
		96	48.3	5.85	22.7	57.6	7.64	23.2	66.9	9.69	23.8	71.5	10.8	24.1	76.1	12.0	24.4	79.5	12.5	24.6	81.2	12.6	24.7			
	25	50	48.3	6.73	27.2	57.6	7.49	22.6	66.9	9.50	23.0	71.5	10.6	23.3	76.1	11.7	23.5	79.8	12.4	23.7	81.6	12.5	23.7			
		60	48.3	7.35	30.3	57.6	9.65	31.4	66.9	12.3	32.6	71.5	13.7	33.1	73.9	14.3	33.4	75.8	14.4	33.6	77.4	14.5	33.8			
		96	48.3	7.22	29.4	57.6	9.47	30.3	66.9	12.0	31.3	71.5	13.4	31.8	73.9	14.2	32.0	76.2	14.3	32.2	77.8	14.4	32.3			
30	50	48.3	6.86	27.7	57.6	8.99	28.3	66.9	11.4	28.9	71.5	12.8	29.2	75.2	13.8	29.4	77.1	13.9	29.5	78.8	14.0	29.6				
	60	48.3	6.73	27.2	57.6	8.82	27.6	66.9	11.2	28.1	71.5	12.5	28.3	75.5	13.7	28.6	77.5	13.8	28.8	79.2	13.9	28.7				
	96	48.3	6.86	27.7	57.6	8.99	28.3	66.9	11.4	28.9	71.5	12.8	29.2	75.2	13.8	29.4	77.1	13.9	29.5	78.8	14.0	29.6				
35	50	48.3	8.66	35.4	57.6	11.4	36.6	66.9	14.5	37.8	70.3	15.7	38.2	71.3	15.8	38.3	73.1	15.9	38.5	74.6	16.0	38.7				
	60	48.3	8.50	34.5	57.6	11.2	35.5	66.9	14.3	36.5	70.6	15.6	36.9	71.6	15.6	36.9	73.4	15.8	37.1	74.9	15.9	37.2				
	96	48.3	8.09	32.8	57.6	10.6	33.4	66.9	13.5	34.0	71.5	15.1	34.3	72.5	15.2	34.4	74.3	15.3	34.5	75.9	15.4	34.5				
40	50	48.3	7.93	32.2	57.6	10.4	32.7	66.9	13.3	33.2	71.5	14.8	33.4	72.8	15.0	33.5	74.7	15.2	33.6	76.3	15.3	33.6				
	60	48.3	10.3	40.6	57.6	13.6	41.8	66.3	17.1	43.0	67.3	17.2	43.1	68.2	17.3	43.2	69.8	17.4	43.3	71.2	17.5	43.5				
	96	48.3	10.1	39.6	57.6	13.4	40.6	66.6	16.9	41.6	67.6	17.0	41.7	68.5	17.1	41.8	70.2	17.2	42.0	71.5	17.3	42.1				
45	50	48.3	9.60	37.9	57.6	12.7	38.5	66.9	16.2	39.1	68.4	16.5	39.2	69.4	16.6	39.3	71.1	16.7	39.4	72.5	16.8	39.4				
	60	48.3	9.42	37.3	57.6	12.4	37.8	66.9	15.9	38.3	68.7	16.4	38.4	69.7	16.4	38.4	71.4	16.6	38.5	72.8	16.7	38.6				
	96	48.3	9.42	37.3	57.6	12.4	37.8	66.9	15.9	38.3	68.7	16.4	38.4	69.7	16.4	38.4	71.4	16.6	38.5	72.8	16.7	38.6				
50	50	48.2	12.5	45.8	50.1	12.6	46.0	51.6	12.7	46.1	52.2	12.8	46.2	52.6	12.8	46.3	53.3	12.8	46.3	53.6	12.8	46.3				
	60	48.3	12.2	44.8	52.7	13.6	45.3	54.3	13.8	45.4	55.0	13.8	45.5	55.6	13.9	45.5	56.5	13.9	45.6	57.0	13.9	45.6				
	96	48.3	10.6	42.9	57.6	14.1	43.6	61.8	15.4	43.8	62.7	15.5	43.9	63.5	15.6	43.9	64.9	15.7	44.0	66.0	15.7	44.1				
55	50	48.3	10.3	42.3	57.6	13.6	42.8	62.4	15.2	43.1	63.3	15.2	43.1	64.1	15.3	43.2	65.5	15.4	43.2	66.6	15.5	43.3				
	60	34.8	8.01	49.1	35.5	8.04	49.2	35.7	7.99	49.2	35.5	7.95	49.2	35.2	7.89	49.1	34.1	7.71	49.0	32.4	7.47	48.8				
	96	37.7	8.79	48.7	38.8	8.84	48.8	39.3	8.84	48.8	39.3	8.82	48.8	39.3	8.78	48.8	38.6	8.66	48.8	37.5	8.48	48.7				
60	50	43.4	4.99	14.6	51.8	6.48	15.6	60.2	8.17	16.5	64.4	9.09	17.0	68.5	10.06	17.5	76.9	12.01	18.5	81.4	12.3	19.0				
	60	43.4	4.90	13.8	51.8	6.36	14.6	60.2	8.01	15.4	64.4	8.92	15.8	68.5	9.87	16.2	76.9	11.87	17.1	81.8	12.1	17.5				
	96	43.4	4.67	12.4	51.8	6.05	12.9	60.2	7.61	13.4	64.4	8.47	13.6	68.5	9.37	13.9	76.9	11.31	14.4	82.8	11.81	14.7				
65	50	43.4	4.58	11.9	51.8	5.93	12.3	60.2	7.47	12.7	64.4	8.30	12.9	68.5	9.18	13.1	76.9	11.09	13.5	83.2	11.69	13.8				
	60	43.4	5.17	19.6	51.8	6.70	20.6	60.2	8.46	21.6	64.4	9.41	22.0	68.5	10.42	22.5	76.9	12.4	23.5	80.0	12.6	23.8				
	96	43.4	4.83	17.4	51.8	6.58	19.6	60.2	8.30	20.5	64.4	9.23	20.9	68.5	10.22	21.3	76.9	12.3	22.1	80.3	12.5	22.4				
70	50	43.4	4.74	16.9	51.8	6.14	17.3	60.2	7.73	17.7	64.4	8.60	17.9	68.5	9.51	18.1	76.9	11.5	18.5	81.7	12.0	18.7				
	60	43.4	5.36	24.7	51.8	6.96	25.6	60.2	8.79	26.6	64.4	9.78	27.1	68.5	10.8	27.6	76.3	12.9	28.6	78.1	13.0	28.7				
	96	43.4	5.27	23.9	51.8	6.84	24.7	60.2	8.62	25.5	64.4	9.59	25.9	68.5	10.6	26.3	76.7	12.8	27.1	78.5	12.9	27.3				
75	50	43.4	5.01	22.4	51.8	6.50	22.9	60.2	8.19	23.4	64.4	9.11	23.7	68.5	10.1	23.9	76.9	12.2	24.4	79.4	12.5	24.6				
	60	43.4	4.92	21.9	51.8	6.38	22.3	60.2	8.03	22.7	64.4	8.93	22.9	68.5	9.88	23.1	76.9	11.9	23.5	79.8	12.4	23.7				
	96	43.4	6.29	29.8	51.8	8.19	30.7	60.2	10.4	31.7	64.4	11.5	32.3	68.5	12.8	32.8	74.1	14.3	33.5	75.8	14.4	33.6				
80	50	43.4	6.17	29.0	51.8	8.04	29.8	60.2	10.2	30.6	64.4	11.3	31.0	68.5	12.5	31.5	74.4	14.2	32.1	76.1	14.3	32.2				
	60	43.4	5.87	27.5	51.8	7.64	28.0	60.2	9.65	28.5	64.4	10.7	28.7	68.5	11.9	29.0	75.4	13.8	29.4	77.1	13.9	29.5				
	96	43.4	5.76	27.0	51.8	7.49	27.4	60.2	9.46	27.8	64.4	10.5	28.0	68.5	11.7	28.2	75.7	13.7	28.6	77.5	13.8	28.6				
85	50	43.4	7.39	34.9	51.8	9.66	35.9	60.2	12.3	36.9	64.4	13.7	37.5	68.5	15.2	38.0	71.5	15.8	38.3	73.0	15.9	38.5				
	60	43.4	7.26	34.0	51.8	9.48	34.9	60.2	12.0	35.7	64.4	13.4	36.2	68.5	14.9	36.6	71.8	15.6	37.0	73.4	15.8	37.1				
	96	43.4	6.91	32.5	51.8	9.01	33.0	60.2	11.4	33.6	64.4	12.7	33.8	68.5	14.1	34.1	72.7	15.2	34.4	74.3	15.3	34.5				
90	50	43.4	6.78	32.0	51.8	8.84	32.4	60.2	11.2	32.8	64.4	12.5	33.1	68.5	13.8	33.3	73.0	15.1	33.5	74.7	15.2	33.6				
	60	43.4	8.76	40.0	51.8	11.5	41.0	60.2	14.6	42.1	64.4	16.3	42.7	66.6	17.1	43.0	68.3	17.3	43.2	69.8	17.4	43.3				
	96	43.4	8.60	39.1	51.8	11.3	40.0	60.2	14.4	40.9	64.4	16.0	41.4	66.9	17.1	41.7	68.7	17.1	41.8	70.1	17.2	42.0				
95	50	43.4	8.18	37.6	51.8	10.7	38.1	60.2	13.6	38.7	64.4	15.2	39.0	67.8	16.5	39.2	69.5	16.6	39.3	71.0	16.7	39.4				
	60	43.4	8.03	37.0	51.8	10.5	37.5	60.2	13.4	37.9	64.4	14.9	38.2	68.1	16.3	38.4	69.8	16.5	38.4	71.4	16.6	38.5				
	96	43.4	10.5	45.2	49.0	12.5	45.9	50.5	12.7	46.0	51.2	12.7	46.1	51.8	12.8	46.2	52.7	12.8	46.3	53.3	12.8	46.3				
100	50	43.4	10.3	44.3	51.5	13.5	45.2	53.2	13.7	45.3	53.9	13.7	45.4	54.6	13.8	45.4	55.7	13.9	45.5	56.5	13.9	45.6				
	60	43.4	9.00	42.6	51.8	11.9	43.2	60.2	15.2	43.8	61.3	15.4	43.8	62.2	15.5	43.9	63.7	15.6	43.9	64.9	15.7	44.0				
	96	43.4	8.71	42.1	51.8																					

# 4 Capacity tables

## 4 - 2 Cooling capacity tables

RWEYQ26PY1		TC: Total Capacity: kW ; PI: Power Input: kW (compressor + outdoor fan motor) ; OWT: Outlet Water Temperatur: °C																																																																																																																																																																																																																																																																																																																																																																																																																																																																																																																																																																																																																																																																																																																																						
		Combination (%)	Inlet Water Temp. (°C)	Water Volume L/min	Indoor air temperature: °CDB																																																																																																																																																																																																																																																																																																																																																																																																																																																																																																																																																																																																																																																																																																																																			
					14.0				16.0				18.0				19.0				21.0				22.0				24.0																																																																																																																																																																																																																																																																																																																																																																																																																																																																																																																																																																																																																																																																																																											
TC	PI	OWT	TC	PI	OWT	TC	PI	OWT	TC	PI	OWT	TC	PI	OWT	TC	PI	OWT	TC	PI	OWT	TC	PI	OWT	TC	PI	OWT																																																																																																																																																																																																																																																																																																																																																																																																																																																																																																																																																																																																																																																																																																														
70	10	50	33.8	3.53	13.6	4.03	4.49	14.3	46.8	5.57	15.0	50.1	6.15	15.4	53.3	6.77	15.7	59.8	8.09	16.5	66.3	9.54	17.2	60	33.8	3.47	13.0	4.03	4.41	13.6	46.8	5.46	14.2	50.1	6.04	14.5	53.3	6.64	14.8	59.8	7.94	15.4	66.3	9.36	16.0	96	33.8	3.31	11.8	4.03	4.20	12.2	46.8	5.20	12.6	50.1	5.74	12.8	53.3	6.31	13.0	59.8	7.54	13.4	66.3	8.89	13.7	120	33.8	3.25	11.5	4.03	4.12	11.8	46.8	5.10	12.1	50.1	5.63	12.2	53.3	6.19	12.4	59.8	7.40	12.7	66.3	8.71	13.0	15	50	33.8	3.65	18.6	4.03	4.64	19.3	46.8	5.76	20.0	50.1	6.37	20.4	53.3	7.00	20.8	59.8	8.38	21.5	66.3	9.88	22.3	60	33.8	3.59	18.0	4.03	4.56	18.6	46.8	5.65	19.2	50.1	6.25	19.5	53.3	6.87	19.8	59.8	8.22	20.4	66.3	9.69	21.1	96	33.8	3.42	16.9	4.03	4.34	17.2	46.8	5.38	17.6	50.1	5.94	17.8	53.3	6.54	18.0	59.8	7.81	18.4	66.3	9.20	18.8	120	33.8	3.36	16.5	4.03	4.26	16.8	46.8	5.28	17.1	50.1	5.83	17.2	53.3	6.41	17.4	59.8	7.66	17.7	66.3	9.02	18.0	20	50	33.8	3.79	23.6	4.03	4.82	24.3	46.8	5.98	25.0	50.1	6.61	25.4	53.3	7.28	25.8	59.8	8.71	26.5	66.3	10.3	27.3	60	33.8	3.72	23.0	4.03	4.73	23.6	46.8	5.87	24.2	50.1	6.49	24.5	53.3	7.14	24.8	59.8	8.54	25.4	66.3	10.1	26.1	96	33.8	3.55	21.9	4.03	4.51	22.2	46.8	5.59	22.6	50.1	6.17	22.8	53.3	6.79	23.0	59.8	8.11	23.4	66.3	9.56	23.8	120	33.8	3.49	21.5	4.03	4.43	21.8	46.8	5.48	22.1	50.1	6.06	22.2	53.3	6.66	22.4	59.8	7.96	22.7	66.3	9.38	23.0	25	50	33.8	4.42	28.7	4.03	5.64	29.4	46.8	7.02	30.1	50.1	7.77	30.5	53.3	8.56	30.9	59.8	10.3	31.7	66.3	12.1	32.5	60	33.8	4.34	28.0	4.03	5.54	28.7	46.8	6.89	29.3	50.1	7.63	29.6	53.3	8.40	29.9	59.8	10.1	30.6	66.3	11.9	31.2	96	33.8	4.14	26.9	4.03	5.27	27.3	46.8	6.55	27.7	50.1	7.25	27.9	53.3	7.98	28.1	59.8	9.56	28.5	66.3	11.3	28.9	120	33.8	4.07	26.5	4.03	5.18	26.8	46.8	6.43	27.1	50.1	7.11	27.3	53.3	7.83	27.4	59.8	9.37	27.8	66.3	11.1	28.1	30	50	33.8	5.17	33.7	4.03	6.62	34.5	46.8	8.27	35.3	50.1	9.16	35.7	53.3	10.1	36.1	59.8	12.1	36.9	66.3	14.4	37.7	60	33.8	5.08	33.1	4.03	6.50	33.7	46.8	8.12	34.4	50.1	8.99	34.7	53.3	9.92	35.0	59.8	11.9	35.0	66.3	14.1	36.1	96	33.8	4.84	31.9	4.03	6.19	32.3	46.8	7.72	32.7	50.1	8.55	32.9	53.3	9.42	33.1	59.8	11.3	33.5	66.3	13.4	34.0	120	33.8	4.75	31.5	4.03	6.08	31.8	46.8	7.57	32.2	50.1	8.39	32.3	53.3	9.24	32.5	59.8	11.1	32.8	66.3	13.1	33.2	35	50	33.8	6.09	38.8	4.03	7.84	39.6	46.8	9.82	40.4	50.1	10.9	40.8	53.3	12.0	41.2	59.8	14.5	42.1	66.3	17.1	43.0	60	33.8	5.98	38.2	4.03	7.69	38.8	46.8	9.64	39.5	50.1	10.7	39.8	53.3	11.8	40.2	59.8	14.2	40.9	66.3	16.8	41.6	96	33.8	5.70	37.0	4.03	7.32	37.4	46.8	9.16	37.8	50.1	10.2	38.0	53.3	11.2	38.2	59.8	13.5	38.6	66.3	16.0	39.1	120	33.8	5.59	36.6	4.03	7.18	36.9	46.8	8.99	37.2	50.1	9.97	37.4	53.3	11.0	37.6	59.8	13.2	37.9	66.3	15.7	38.3	40	50	33.8	7.07	43.9	4.03	9.32	44.7	46.8	11.9	45.6	48.6	12.5	45.8	49.3	12.6	45.9	50.5	12.7	46.0	51.5	12.7	46.1	60	33.8	6.95	43.2	4.03	9.12	43.9	46.8	11.6	44.7	50.1	13.0	45.0	51.8	13.6	45.2	53.1	13.7	45.3	54.2	13.8	45.4	96	33.8	6.19	42.0	4.03	8.02	42.4	46.8	10.1	42.8	50.1	11.2	43.1	53.3	12.5	43.3	59.8	15.0	43.7	61.7	15.4	43.8	120	33.8	6.00	41.6	4.03	7.77	41.9	46.8	9.78	42.3	50.1	10.9	42.4	53.3	12.0	42.6	59.8	14.5	43.0	62.2	15.2	43.1	45	50	33.8	7.84	48.9	33.7	7.94	49.0	34.6	8.00	49.1	35.0	8.02	49.1	35.3	8.03	49.1	35.6	8.03	49.2	35.7	8.00	49.2	60	33.8	7.97	48.3	36.4	8.69	48.6	37.5	8.77	48.7	38.0	8.80	48.7	38.4	8.82	48.8	39.0	8.85	48.8	39.3	8.84	48.8	96	33.8	7.00	47.0	4.03	9.26	47.5	45.9	11.4	47.9	46.6	11.5	47.9	47.3	11.5	47.9	48.4	11.6	48.0	49.3	11.7	48.0	120	33.8	6.80	46.6	4.03	8.93	47.0	46.8	11.4	47.3	50.1	12.7	47.5	51.7	13.2	47.6	53.0	13.3	47.6	54.1	13.4	47.7

CA08A496A

# 4 Capacity tables

## 4 - 2 Cooling capacity tables

### RWEYQ28PY1

TC: Total Capacity: kW ; PI: Power Input: kW (compressor + outdoor fan motor) ; OWT: Outlet Water Temperatur: °C

Combination (%)	Inlet Water Temp. (°C)	Water Volume L/min	Indoor air temperature: °CDB																																																																																								
			14.0			16.0			18.0			19.0			20.0			22.0			24.0																																																																						
			TC	PI	OWT	TC	PI	OWT	TC	PI	OWT	TC	PI	OWT	TC	PI	OWT	TC	PI	OWT	TC	PI	OWT																																																																				
130	10	50	66.5	9.58	17.3	79.3	12.75	18.8	86.7	13.5	19.6	87.9	13.5	19.7	89.1	13.6	19.8	91.1	13.7	20.0	92.7	13.7	20.2	60	66.5	9.40	16.0	79.3	12.51	17.3	81.4	13.4	18.0	88.4	13.4	18.1	89.5	13.5	18.2	91.6	13.6	18.4	93.1	13.6	18.5	96	66.5	8.93	13.8	79.3	11.87	14.5	88.2	13.0	15.0	89.5	13.0	15.1	90.7	13.1	15.2	92.7	13.2	15.3	94.4	13.2	15.4	120	66.5	8.75	13.0	79.3	11.63	13.6	88.6	12.9	14.0	89.9	12.9	14.1	91.1	13.0	14.1	93.2	13.0	14.2	94.9	13.1	14.3		
		15	50	66.5	9.92	22.3	79.3	13.2	23.8	85.1	13.9	24.5	86.4	13.9	24.6	87.5	14.0	24.7	89.4	14.1	24.9	90.9	14.1	25.0	60	66.5	9.73	21.1	79.3	13.0	22.3	85.5	13.7	22.9	86.8	13.8	23.0	87.9	13.9	23.1	89.8	13.9	23.3	91.3	14.0	23.4	96	66.5	9.24	18.8	79.3	12.3	19.6	86.6	13.4	20.0	87.9	13.4	20.0	89.0	13.5	20.1	91.0	13.6	20.2	92.6	13.6	20.3	120	66.5	9.06	18.0	79.3	12.0	18.6	87.0	13.2	19.0	88.3	13.3	19.0	89.4	13.3	19.1	91.4	13.4	19.2	93.0	13.5	19.3	
			20	50	66.5	10.3	27.3	79.3	13.7	28.9	83.1	14.3	29.3	84.3	14.34	29.4	85.4	14.4	29.5	87.2	14.5	29.7	88.5	14.5	29.8	60	66.5	10.1	26.1	79.3	13.5	27.4	83.5	14.1	27.8	84.7	14.2	27.9	85.8	14.3	28.0	87.6	14.3	28.1	89.0	14.4	28.2	96	66.5	9.60	23.8	79.3	12.8	24.6	84.6	13.8	24.9	85.8	13.8	25.0	86.9	13.9	25.0	88.8	14.0	25.1	90.2	14.0	25.2	120	66.5	9.42	23.0	79.3	12.5	23.7	85.0	13.6	23.9	86.2	13.7	24.0	87.3	13.7	24.0	89.2	13.8	24.1	90.7	13.9	24.2
				25	50	66.5	12.2	32.5	78.1	15.7	34.0	80.7	15.9	34.2	81.8	15.9	34.3	82.8	16.0	34.4	84.4	16.1	34.6	85.6	16.1	34.7	60	66.5	11.9	31.2	78.4	15.6	32.5	81.1	15.7	32.7	82.2	15.8	32.8	83.2	15.8	32.9	84.9	15.9	33.0	86.0	16.0	33.1	96	66.5	11.3	28.9	79.3	15.1	29.7	82.1	15.3	29.8	83.2	15.4	29.9	84.3	15.4	30.0	86.0	15.5	30.1	87.2	15.6	30.1	120	66.5	11.1	28.1	79.3	14.8	28.7	82.5	15.1	28.9	83.6	15.2	28.9	84.7	15.3	29.0	86.4	15.3	29.1	87.7	15.4
	30				50	66.5	14.4	37.7	75.3	17.3	38.8	77.7	17.5	39.1	78.8	17.6	39.2	79.7	17.6	39.3	81.1	17.7	39.4	82.0	17.7	39.5	60	66.5	14.1	36.4	75.6	17.1	37.4	78.1	17.3	37.6	79.1	17.4	37.7	80.1	17.4	37.8	81.5	17.5	37.9	82.5	17.5	38.0	96	66.5	13.4	34.0	76.6	16.7	34.6	79.1	16.8	34.8	80.2	16.9	34.8	81.1	17.0	34.9	82.6	17.1	35.0	83.7	17.1	35.0	120	66.5	13.1	33.2	76.9	16.5	33.7	79.5	16.7	33.8	80.5	16.7	33.9	81.5	16.8	33.9	83.1	16.9	34.0	84.1	16.9
		35			50	66.5	17.2	43.0	72.0	18.9	43.7	74.3	19.1	43.9	75.2	19.2	44.0	76.0	19.2	44.1	77.2	19.3	44.2	77.8	19.3	44.3	60	66.5	16.9	41.6	72.4	18.7	42.3	74.6	18.9	42.4	75.6	19.0	42.5	76.4	19.0	42.6	77.6	19.1	42.7	78.3	19.1	42.8	96	66.5	16.0	39.1	73.3	18.2	39.6	75.6	18.4	39.7	76.5	18.5	39.7	77.4	18.5	39.8	78.7	18.6	39.8	79.4	18.6	39.9	120	66.5	15.7	38.3	73.6	18.0	38.6	75.9	18.2	38.7	76.9	18.3	38.8	77.8	18.3	38.8	79.1	18.4	38.9	79.9	18.4
			40		50	66.5	19.0	46.5	55.7	14.1	46.7	56.6	14.1	46.8	56.8	14.1	46.8	56.8	14.1	46.8	56.8	14.1	46.8	56.8	14.1	46.8	60	66.5	18.5	45.7	58.8	15.2	45.9	60.0	15.3	46.0	60.4	15.3	46.0	60.5	15.3	46.0	60.4	15.1	46.0	59.6	15.0	45.9	96	66.4	16.9	44.1	67.1	17.1	44.2	69.0	17.2	44.3	69.8	17.3	44.3	70.4	17.3	44.4	71.1	17.3	44.4	71.3	17.2	44.4	120	65.2	16.6	43.3	67.7	16.8	43.4	69.7	16.9	43.4	70.4	17.0	43.5	71.0	17.0	43.5	71.9	17.0	43.5	72.1	17.0
				45	50	37.8	8.80	49.5	37.4	8.68	49.4	35.9	8.43	49.2	34.7	8.26	49.1	33.0	8.06	48.9	29.6	7.56	48.5	24.8	6.95	48.0	60	41.5	9.72	49.1	41.7	9.66	49.1	40.8	9.48	49.0	40.0	9.35	48.9	39.0	9.20	48.8	36.2	8.80	48.6	32.4	8.30	48.2	96	51.7	12.8	48.2	53.2	12.68	48.3	53.8	12.8	48.3	53.9	12.8	48.3	53.7	12.7	48.3	52.8	12.6	48.3	51.2	12.3	48.2	120	56.7	14.7	47.8	58.6	14.8	47.9	59.8	14.9	48.0	60.2	14.9	48.0	60.3	14.8	48.0	60.2	14.7	48.0	59.3	14.6
	10				50	61.4	8.44	16.7	73.2	11.18	18.1	85.0	13.4	19.4	86.4	13.5	19.5	87.6	13.5	19.7	89.7	13.6	19.9	91.5	13.7	20.1	60	61.4	8.29	15.5	73.2	10.97	16.7	85.0	13.2	17.8	86.8	13.3	18.0	88.0	13.4	18.1	90.2	13.5	18.3	91.9	13.6	18.4	96	61.4	7.87	13.4	73.2	10.41	14.2	85.0	12.8	14.9	87.9	13.0	15.0	89.1	13.0	15.1	91.3	13.1	15.2	93.1	13.2	15.3	120	61.4	7.72	12.8	73.2	10.21	13.3	85.0	12.7	13.9	88.3	12.8	14.0	89.5	12.9	14.1	91.7	13.0	14.2	93.6	13.1
		15			50	61.4	8.74	21.7	73.2	12.16	23.1	83.6	13.8	24.3	84.9	13.9	24.4	86.1	14.0	24.6	88.1	14.0	24.8	89.7	14.1	24.9	60	61.4	8.58	20.6	73.2	11.4	21.7	84.0	13.7	22.8	85.3	13.7	22.9	86.5	13.8	23.0	88.5	13.9	23.2	90.2	14.0	23.3	96	61.4	8.15	18.5	73.2	10.78	19.2	85.0	13.3	19.9	86.3	13.4	20.0	87.5	13.4	20.0	89.6	13.5	20.1	91.4	13.6	20.2	120	61.4	7.99	17.8	73.2	10.57	18.3	85.0	13.1	18.9	86.7	13.2	19.0	87.9	13.3	19.0	90.1	13.4	19.1	91.8	13.4
			20		50	61.4	9.08	26.7	73.2	12.0	28.1	81.7	14.2	29.2	82.9	14.3	29.3	84.0	14.3	29.4	86.0	14.4	29.6	87.5	14.5	29.7	60	61.4	8.91	25.6	73.2	11.8	26.8	82.1	14.1	27.7	83.3	14.1	27.8	84.4	14.2	27.9	86.4	14.3	28.0	87.9	14.4	28.1	96	61.4	8.47	23.5	73.2	11.2	24.2	83.1	13.7	24.8	84.3	13.7	24.9	85.5	13.8	24.9	87.5	13.9	25.0	89.1	14.0	25.1	120	61.4	8.30	22.8	73.2	11.0	23.4	83.5	13.5	23.9	84.7	13.6	23.9	85.9	13.7	24.0	87.9	13.8	24.0	89.6	13.8
				25	50	61.4	10.7	31.9	73.2	14.2	33.4	79.3	15.8	34.1	80.5	15.9	34.2	81.5	15.9	34.3	83.3	16.0	34.5	84.7	16.1	34.6	60	61.4	10.5	30.7	73.2	13.9	31.9	79.7	15.6	32.6	80.8	15.7	32.7	81.9	15.8	32.8	83.7	15.9	32.9	85.1	15.9	33.1	96	61.4	9.97	28.6	73.2	13.2	29.3	80.7	15.2	29.8	81.8	15.3	29.8	82.9	15.3	29.9	84.8	15.4	30.0	86.3	15.5	30.1	120	61.4	9.78	27.8	73.2	13.0	28.4	81.0	15.0	28.8	82.2	15.1	28.9	83.3	15.2	28.9	85.2	15.3	29.0	86.7	15.4
30	50				61.4	12.7	37.1	73.2	16.9	38.6	76.4	17.4	39.0	77.5	17.5	39.1	78.5	17.5	39.2	80.1	17.6	39.3	81.4	17.7	39.5	60	61.4	12.4	35.9	73.2	16.5	37.1	76.8	17.2	37.5	77.9	17.3	37.6	78.9	17.4	37.7	80.5	17.5	37.8	81.8	17.5	37.9	96	61.4	11.8	33.6	73.2	15.7	34.4	77.8	16.8	34.7	78.9	16.8	34.8	79.9	16.9	34.8	81.6	17.0	34.9	82.9	17.1	35.0	120	61.4	11.6	32.9	73.2	15.4	33.5	78.1	16.6	33.8	79.2	16.7	33.8	80.3	16.7	33.9	82.0	16.8	33.9	83.3	16.9	34.0
	35	50			61.4	15.1	42.3	70.8	18.8	43.6	73.1	19.0	43.8	74.1	19.1	43.9	75.0	19.2	44.0	76.4	19.3	44.1	77.3	19.3	44.2	60	61.4	14.8	41.1	71.1	18.6	42.1	73.4	18.8	42.3	74.4	18.9	42.4	75.3	19.0	42.5	76.8	19.1	42.6	77.8	19.1	42.7	96	61.4	14.1	38.8	72.0	18.1	39.5	74.4	18.3	39.6	75.4	18.4	39.7	76.3	18.5	39.7	77.8	18.6	39.8	78.9	18.6	39.9	120	61.4	13.8	38.0	72.3	17.9	38.6	74.7	18.1	38.7	75.7	18.2	38.7	76.7	18.3	38.8	78.2	18.4	38.8	79.3	18.4	38.9
		40	50		53.2	13.9	46.4	55.0	14.0	46.6	56.2	14.1	46.7	56.5	14.1	46.8	56.8	14.1	46.8	56.8	14.1	46.8	56.8	14.1	46.8	60	55.9	15.0	45.6	57.9	15.1	45.8	59.4	15.2	45.9	59.9	15.3	46.0	60.3	15.3	46.0	60.6	15.2	46.0	60.3	15.1	46.0	96	61.4	15.6	43.8	66.																																							



# 4 Capacity tables

## 4 - 2 Cooling capacity tables

**RWEYQ28PY1**

TC: Total Capacity: kW ; PI: Power Input: kW (compressor + outdoor fan motor) ; OWT: Outlet Water Temperatur: °C

Combination (%)	Inlet Water Temp. (°C)	Water Volume (L/min)	Indoor air temperature: °CDB																																																																																								
			14.0			16.0			18.0			19.0			20.0			22.0			24.0																																																																						
			TC	PI	OWT	TC	PI	OWT	TC	PI	OWT	TC	PI	OWT	TC	PI	OWT	TC	PI	OWT	TC	PI	OWT																																																																				
100	10	50	51.2	6.39	15.5	61.0	8.36	16.6	70.9	10.61	17.8	75.8	11.83	18.4	80.7	13.1	19.0	86.3	13.5	19.5	88.3	13.6	19.7	60	51.2	6.28	14.6	61.0	8.21	15.5	70.9	10.41	16.5	75.8	11.61	17.0	80.7	12.88	17.5	86.7	13.3	18.0	88.7	13.4	18.1	96	51.2	5.97	12.8	61.0	7.80	13.4	70.9	9.88	14.0	75.8	11.02	14.3	80.7	12.22	14.6	87.8	13.0	15.0	89.8	13.1	15.1	120	51.2	5.86	12.3	61.0	7.65	12.7	70.9	9.69	13.2	75.8	10.80	13.4	80.7	11.98	13.7	88.2	12.8	14.0	90.2	12.9	14.1		
		15	50	51.2	6.62	20.5	61.0	8.66	21.7	70.9	10.98	22.8	75.8	12.3	23.4	80.7	13.6	24.0	84.8	13.9	24.4	86.7	14.0	24.6	60	51.2	6.50	19.6	61.0	8.50	20.5	70.9	10.78	21.5	75.8	12.0	22.0	80.7	13.3	22.5	85.2	13.7	22.9	87.1	13.8	23.0	96	51.2	6.18	17.9	61.0	8.07	18.4	70.9	10.23	19.0	75.8	11.4	19.3	80.7	12.7	19.6	86.3	13.4	20.0	88.2	13.4	20.1	120	51.2	6.06	17.3	61.0	7.92	17.7	70.9	10.03	18.2	75.8	11.18	18.5	80.7	12.4	18.7	86.7	13.2	19.0	88.6	13.3	19.1	
			20	50	51.2	6.87	25.5	61.0	9.00	26.7	70.9	11.4	27.9	75.8	12.7	28.5	80.7	14.1	29.1	82.8	14.3	29.3	84.6	14.4	29.5	60	51.2	6.75	24.6	61.0	8.83	25.6	70.9	11.2	26.5	75.8	12.5	27.0	80.7	13.9	27.5	83.2	14.1	27.8	85.0	14.2	27.9	96	51.2	6.42	22.9	61.0	8.39	23.5	70.9	10.6	24.1	75.8	11.9	24.4	80.7	13.2	24.7	84.2	13.7	24.9	86.1	13.8	25.0	120	51.2	6.30	22.3	61.0	8.23	22.8	70.9	10.4	23.2	75.8	11.6	23.5	80.7	12.9	23.7	84.6	13.6	23.9	86.5	13.7	24.0
	25			50	51.2	8.07	30.7	61.0	10.6	31.8	70.9	13.5	33.1	75.8	15.0	33.7	78.4	15.7	34.0	80.4	15.9	34.2	82.1	16.0	34.4	60	51.2	7.92	29.7	61.0	10.4	30.7	70.9	13.2	31.7	75.8	14.8	32.2	78.8	15.6	32.5	80.8	15.7	32.8	82.5	15.8	32.8	96	51.2	7.53	27.9	61.0	9.87	28.5	70.9	12.5	29.2	75.8	14.0	29.5	79.7	15.1	29.7	81.8	15.3	29.8	83.5	15.4	29.9	120	51.2	7.39	27.3	61.0	9.68	27.8	70.9	12.3	28.3	75.8	13.7	28.6	80.1	15.0	28.8	82.2	15.1	28.9	83.9	15.2	28.9
		30		50	51.2	9.51	35.8	61.0	12.5	37.0	70.9	16.0	38.3	74.5	17.3	38.8	75.6	17.3	38.9	77.5	17.5	39.1	79.0	17.6	39.2	60	51.2	9.34	34.8	61.0	12.3	35.8	70.9	15.7	36.9	74.5	17.1	37.3	75.9	17.2	37.4	77.8	17.3	37.6	79.4	17.4	37.7	96	51.2	8.88	33.0	61.0	11.7	33.6	70.9	14.9	34.3	75.8	16.6	34.6	76.9	16.7	34.7	78.8	16.8	34.8	80.5	16.9	34.8	120	51.2	8.71	32.4	61.0	11.4	32.9	70.9	14.6	33.4	75.8	16.3	33.7	77.2	16.5	33.7	79.2	16.6	33.8	80.8	16.8	33.9
			35	50	51.2	11.3	41.0	61.0	14.9	42.3	70.9	18.8	43.5	71.3	18.9	43.6	72.3	18.9	43.7	74.0	19.1	43.9	75.4	19.2	44.0	60	51.2	11.1	40.0	61.0	14.7	41.0	70.6	18.6	42.1	71.6	18.7	42.2	72.6	18.8	42.3	74.4	18.9	42.4	75.8	19.0	42.6	96	51.2	10.5	38.1	61.0	13.9	38.7	70.9	17.8	39.4	72.5	18.2	39.5	73.5	18.2	39.6	75.3	18.4	39.7	76.8	18.5	39.7	120	51.2	10.3	37.4	61.0	13.6	38.0	70.9	17.4	38.5	72.9	18.0	38.6	73.9	18.1	38.7	75.7	18.2	38.7	77.2	18.3	38.8
	40			50	51.1	13.7	46.2	61.0	13.9	46.4	54.7	14.0	46.6	55.3	14.0	46.6	55.8	14.1	46.7	56.5	14.1	46.7	56.8	14.1	46.8	60	51.2	13.4	45.1	55.8	15.0	45.6	57.6	15.1	45.8	58.3	15.2	45.9	58.9	15.2	45.9	59.9	15.3	46.0	60.4	15.3	46.0	96	51.2	11.7	43.1	61.0	15.5	43.8	65.6	16.9	44.1	66.5	17.0	44.2	67.4	17.1	44.2	68.8	17.2	44.3	70.0	17.3	44.3	120	51.2	11.3	42.5	61.0	15.0	43.0	66.1	16.7	43.3	67.1	16.7	43.3	68.0	16.8	43.4	69.5	16.9	43.4	70.6	17.0	43.5
		45		50	36.9	8.80	49.4	37.7	8.82	49.4	37.8	8.78	49.5	37.6	8.72	49.4	37.3	8.66	49.4	36.1	8.47	49.3	34.3	8.20	49.1	60	40.0	9.64	49.0	41.1	9.71	49.0	41.7	9.71	49.1	41.7	9.68	49.1	41.6	9.64	49.1	41.0	9.51	49.0	39.7	9.31	48.9	96	49.0	12.5	48.1	50.9	12.7	48.2	52.3	12.8	48.2	52.8	12.8	48.3	53.3	12.8	48.3	53.8	12.8	48.3	53.8	12.8	48.3	120	51.2	13.1	47.6	55.7	14.6	47.8	57.4	14.7	47.9	58.2	14.8	47.9	58.8	14.8	47.9	59.7	14.9	48.0	60.2	14.9	48.0
			90	10	50	46.0	5.48	14.9	54.9	7.11	15.9	63.8	8.97	17.0	68.2	9.98	17.5	72.7	11.04	18.0	81.5	13.2	19.1	86.3	13.5	19.5	60	46.0	5.38	14.1	54.9	6.98	14.9	63.8	8.80	15.8	68.2	9.79	16.2	72.7	10.83	16.6	81.5	13.0	17.5	86.7	13.3	18.0	96	46.0	5.12	12.5	54.9	6.64	13.1	63.8	8.36	13.6	68.2	9.29	13.9	72.7	10.28	14.1	81.5	12.4	14.7	87.8	13.0	15.0	120	46.0	5.03	12.0	54.9	6.51	12.4	63.8	8.20	12.9	68.2	9.11	13.1	72.7	10.08	13.3	81.5	12.2	13.7	88.2	12.8
	15				50	46.0	5.67	19.9	54.9	7.36	21.0	63.8	9.28	22.0	68.2	10.33	22.5	72.7	11.4	23.0	81.5	13.7	24.1	84.8	13.9	24.4	60	46.0	5.57	19.1	54.9	7.22	19.9	63.8	9.11	20.8	68.2	10.13	21.2	72.7	11.22	21.7	81.5	13.5	22.6	85.2	13.7	22.9	96	46.0	5.30	17.6	54.9	6.87	18.1	63.8	8.65	18.6	68.2	9.62	18.9	72.7	10.65	19.1	81.5	12.9	19.7	86.2	13.4	20.0	120	46.0	5.20	17.0	54.9	6.74	17.5	63.8	8.48	17.9	68.2	9.44	18.1	72.7	10.44	18.3	81.5	12.6	18.7	86.6	13.2
		20			50	46.0	5.89	25.0	54.9	7.65	26.0	63.8	9.65	27.0	68.2	10.7	27.5	72.7	11.9	28.1	80.9	14.2	29.1	82.8	14.3	29.3	60	46.0	5.78	24.1	54.9	7.50	25.0	63.8	9.46	25.8	68.2	10.5	26.3	72.7	11.7	26.7	81.3	14.0	27.6	83.2	14.1	27.7	96	46.0	5.50	22.6	54.9	7.14	23.1	63.8	8.99	23.6	68.2	10.0	23.9	72.7	11.1	24.2	81.5	13.4	24.8	84.2	13.7	24.9	120	46.0	5.40	22.0	54.9	7.00	22.5	63.8	8.82	22.9	68.2	9.81	23.1	72.7	10.9	23.3	81.5	13.1	23.8	84.6	13.6
				25	50	46.0	6.90	30.1	54.9	8.99	31.1	63.8	11.4	32.2	68.2	12.7	32.7	72.7	14.0	33.3	78.6	15.7	34.0	80.4	15.9	34.2	60	46.0	6.78	29.2	54.9	8.82	30.1	63.8	11.2	31.0	68.2	12.4	31.4	72.7	13.8	31.9	78.9	15.6	32.5	80.7	15.7	32.7	96	46.0	6.45	27.6	54.9	8.39	28.2	63.8	10.6	28.7	68.2	11.8	29.0	72.7	13.1	29.3	79.9	15.2	29.7	81.7	15.3	29.8	120	46.0	6.33	27.1	54.9	8.23	27.5	63.8	10.4	28.0	68.2	11.6	28.2	72.7	12.8	28.4	80.3	15.0	28.8	82.1	15.1
30	50				46.0	8.12	35.2	54.9	10.6	36.3	63.8	13.5	37.4	68.2	15.0	38.0	72.7	16.6	38.5	75.7	17.3	38.9	77.4	17.5	39.1	60	46.0	7.97	34.3	54.9	10.4	35.2	63.8	13.2	36.1	68.2	14.7	36.6	72.7	16.3	37.1	76.1	17.2	37.4	77.8	17.3	37.6	96	46.0	7.58	32.7	54.9	9.89	33.2	63.8	12.5	33.8	68.2	14.0	34.1	72.7	15.5	34.4	77.0	16.7	34.7	78.8	16.8	34.8	120	46.0	7.44	32.1	54.9	9.70	32.6	63.8	12.3	33.0	68.2	13.7	33.3	72.7	15.2	33.5	77.4	16.5	33.7	79.1	16.6	33.8
	35	50			46.0	9.62	40.3	54.9	12.6	41.5	63.8	16.1	42.6	68.2	17.9	43.2	70.6	18.8	43.5	72.4	19.0	43.7	74.0	19.1	43.9	60	46.0	9.45	39.4	54.9	12.4	40.4	63.8	15.8	41.3	68.2	17.6	41.8	71.0	18.6	42.1	72.8	18.8	42.3	74.3	18.9	42.4	96	46.0	8.98	37.7	54.9	11.8	38.3	63.8	15.0	38.9	68.2	16.7	39.2	71.8	18.1	39.5	73.7	18.3	39.6	75.3	18.4	39.7	120	46.0	8.81	37.2	54.9	11.5	37.6	63.8	14.7	38.1	68.2	16.4	38.4	72.2	17.9	38.6	74.0	18.1	38.7	75.7	18.2	38.7
		40		50	46.0	11.5	45.5	51.9	13.8	46.3	53.6	13.9	46.5	54.3	14.0	46.5	54.9	14.0	46.6	55.9	14.1	46.7	56.5	14.1	46.7	60	46.0	11.3	44.6	54.5	14.9	45.5	56.4	15.0	45.7	57.2	15.1	45.8	57.9	15.1	45.8	59.0	15.2	45.9	59.9	15.3	46.0	96	46.0	9.88	42.8	54.9	13.0	43.4	63.8	16.7																																			

# 4 Capacity tables

## 4 - 2 Cooling capacity tables

### RWEYQ28PY1

TC: Total Capacity: kW ; PI: Power Input: kW (compressor + outdoor fan motor) ; OWT: Outlet Water Temperatur: °C

Combination (%)	Inlet Water Temp. (°C)	Water Volume L/min	Indoor air temperature: °C DB																							
			14.0			16.0			18.0			19.0			21.0			22.0			24.0					
			TC	PI	OWT	TC	PI	OWT	TC	PI	OWT	TC	PI	OWT	TC	PI	OWT	TC	PI	OWT	TC	PI	OWT			
70	10	50	35.8	3.88	13.8	4.27	4.93	14.6	4.96	6.11	15.3	5.31	6.75	15.7	5.65	7.43	16.1	6.34	8.88	16.9	7.03	10.47	17.7			
		60	35.8	3.81	13.2	4.27	4.84	13.8	4.96	6.00	14.4	5.31	6.63	14.8	5.65	7.29	15.1	6.34	8.72	15.7	7.03	10.27	16.4			
		96	35.8	3.64	12.0	4.27	4.61	12.4	4.96	5.71	12.8	5.31	6.30	13.0	5.65	6.93	13.2	6.34	8.28	13.6	7.03	9.75	14.0			
	15	50	35.8	4.01	18.8	4.27	5.10	19.6	4.96	6.32	20.3	5.31	6.99	20.7	5.65	7.69	21.1	6.34	9.20	21.9	7.03	10.84	22.8			
		60	35.8	3.94	18.2	4.27	5.01	18.8	4.96	6.21	19.4	5.31	6.86	19.8	5.65	7.55	20.1	6.34	9.02	20.8	7.03	10.64	21.4			
		96	35.8	3.76	17.0	4.27	4.77	17.4	4.96	5.91	17.8	5.31	6.52	18.0	5.65	7.17	18.2	6.34	8.57	18.6	7.03	10.10	19.0			
	20	50	35.8	4.16	23.8	4.27	5.29	24.6	4.96	6.57	25.4	5.31	7.26	25.8	5.65	7.99	26.2	6.34	9.56	27.0	7.03	11.3	27.8			
		60	35.8	4.09	23.2	4.27	5.20	23.8	4.96	6.45	24.5	5.31	7.13	24.8	5.65	7.84	25.1	6.34	9.38	25.8	7.03	11.1	26.5			
		96	35.8	3.90	22.0	4.27	4.95	22.4	4.96	6.13	22.8	5.31	6.78	23.0	5.65	7.45	23.2	6.34	8.91	23.6	7.03	10.5	24.0			
	25	50	35.8	4.47	26.6	4.27	5.68	26.9	4.96	7.06	27.3	5.31	7.81	27.4	5.65	8.59	27.6	6.34	10.3	27.9	7.03	12.1	28.3			
		60	35.8	4.85	28.9	4.27	6.19	29.7	4.96	7.71	30.5	5.31	8.53	30.9	5.65	9.39	31.3	6.34	11.3	32.1	7.03	13.3	33.0			
		96	35.8	4.55	27.0	4.27	5.79	27.4	4.96	7.20	27.8	5.31	7.96	28.0	5.65	8.76	28.2	6.34	10.5	28.7	7.03	12.4	29.1			
30	50	35.8	5.68	34.0	4.27	7.27	34.8	4.96	9.08	35.6	5.31	10.1	36.0	5.65	11.1	36.5	6.34	13.3	37.3	7.03	15.8	38.2				
	60	35.8	5.58	33.3	4.27	7.14	34.0	4.96	8.91	34.7	5.31	9.87	35.0	5.65	10.9	35.4	6.34	13.1	36.1	7.03	15.5	36.8				
	96	35.8	5.32	32.0	4.27	6.80	32.5	4.96	8.47	32.9	5.31	9.38	33.1	5.65	10.3	33.3	6.34	12.4	33.8	7.03	14.7	34.2				
35	50	35.8	6.68	39.1	4.27	8.60	39.9	4.96	10.8	40.8	5.31	12.0	41.2	5.65	13.2	41.7	6.34	15.9	42.6	7.03	18.8	43.5				
	60	35.8	6.57	38.4	4.27	8.45	39.1	4.96	10.6	39.8	5.31	11.7	40.2	5.65	13.0	40.5	6.34	15.6	41.3	7.03	18.5	42.1				
	96	35.8	6.25	37.1	4.27	8.04	37.5	4.96	10.1	38.0	5.31	11.2	38.2	5.65	12.3	38.4	6.34	14.8	38.9	7.03	17.5	39.4				
40	50	35.8	6.14	36.7	4.27	7.89	37.0	4.96	9.87	37.4	5.31	10.9	37.5	5.65	12.1	37.7	6.34	14.5	38.1	7.03	17.2	38.6				
	60	35.8	7.76	44.2	4.27	10.2	45.1	4.96	13.1	46.0	5.31	13.7	46.2	5.65	15.2	46.3	6.34	19.3	46.4	7.03	24.0	46.5				
	96	35.8	7.63	43.5	4.27	10.0	44.2	4.96	12.7	45.0	5.31	14.2	45.4	5.65	14.9	45.6	6.34	18.5	45.7	7.03	23.5	45.8				
45	50	35.8	6.79	42.1	4.27	8.81	42.6	4.96	11.1	43.0	5.31	12.4	43.3	5.65	13.7	43.5	6.34	16.5	44.0	7.03	19.9	44.1				
	60	35.8	6.58	41.7	4.27	8.53	42.0	4.96	10.7	42.4	5.31	11.9	42.6	5.65	13.2	42.8	6.34	16.0	43.2	7.03	19.4	43.3				
	96	35.8	6.44	40.7	4.27	8.41	41.7	4.96	10.5	41.9	5.31	11.6	42.0	5.65	12.9	42.2	6.34	15.7	42.5	7.03	19.0	43.0				
60	10	50	30.69	3.19	13.2	3.66	3.99	13.9	4.25	4.90	14.5	4.55	5.38	14.9	4.84	5.90	15.2	5.44	7.00	15.9	6.03	8.20	16.5			
		60	30.69	3.13	12.7	3.66	3.92	13.2	4.25	4.81	13.8	4.55	5.29	14.0	4.84	5.79	14.3	5.44	6.87	14.9	6.03	8.05	15.4			
		96	30.69	2.99	11.7	3.66	3.74	12.0	4.25	4.58	12.3	4.55	5.04	12.5	4.84	5.51	12.7	5.44	6.54	13.0	6.03	7.65	13.4			
	15	50	30.69	3.24	16.3	3.66	3.80	16.6	4.25	4.65	16.9	4.55	5.11	17.0	4.84	5.60	17.2	5.44	6.64	17.4	6.03	7.77	17.7			
		60	30.69	3.30	16.2	3.66	4.13	16.9	4.25	5.06	19.5	4.55	5.57	19.9	4.84	6.10	20.2	5.44	7.25	20.9	6.03	8.49	21.6			
		96	30.69	3.12	17.7	3.66	4.06	18.2	4.25	4.97	18.8	4.55	5.47	19.1	4.84	5.99	19.3	5.44	7.11	19.9	6.03	8.33	20.5			
	20	50	30.69	3.20	16.7	3.66	3.87	17.0	4.25	4.74	17.4	4.55	5.21	17.5	4.84	5.70	17.7	5.44	6.76	18.0	6.03	7.92	18.4			
		60	30.69	3.04	16.3	3.66	3.80	16.6	4.25	4.65	16.9	4.55	5.11	17.0	4.84	5.60	17.2	5.44	6.64	17.4	6.03	7.77	17.7			
		96	30.69	3.42	23.3	3.66	4.28	23.9	4.25	5.26	24.6	4.55	5.78	24.9	4.84	6.34	25.2	5.44	7.53	25.9	6.03	8.82	26.6			
	25	50	30.7	3.36	22.7	3.66	4.21	23.3	4.25	5.16	23.8	4.55	5.68	24.1	4.84	6.22	24.4	5.44	7.39	24.9	6.03	8.66	25.5			
		60	30.7	3.21	21.7	3.66	4.01	22.0	4.25	4.92	22.4	4.55	5.41	22.5	4.84	5.92	22.7	5.44	7.03	23.1	6.03	8.23	23.4			
		96	30.7	3.15	21.3	3.66	3.94	21.6	4.25	4.83	21.9	4.55	5.31	22.0	4.84	5.81	22.2	5.44	6.89	22.4	6.03	8.07	22.7			
30	50	30.7	3.97	28.3	3.66	5.00	29.0	4.25	6.15	29.7	4.55	6.78	30.0	4.84	7.44	30.3	5.44	8.85	31.0	6.03	10.4	31.8				
	60	30.7	3.91	27.8	3.66	4.91	28.3	4.25	6.04	28.9	4.55	6.66	29.2	4.84	7.30	29.4	5.44	8.68	30.0	6.03	10.2	30.6				
	96	30.7	3.73	26.7	3.66	4.68	27.1	4.25	5.75	27.4	4.55	6.34	27.6	4.84	6.95	27.8	5.44	8.25	28.1	6.03	9.68	28.5				
35	50	30.7	3.66	26.4	3.66	4.60	26.6	4.25	5.65	26.9	4.55	6.22	27.1	4.84	6.82	27.2	5.44	8.10	27.5	6.03	9.50	27.8				
	60	30.7	4.63	33.4	3.66	5.85	34.1	4.25	7.23	34.8	4.55	7.97	35.1	4.84	8.76	35.5	5.44	10.4	36.2	6.03	12.3	36.9				
	96	30.7	4.55	32.8	3.66	5.75	33.4	4.25	7.10	34.0	4.55	7.83	34.2	4.84	8.60	34.5	5.44	10.2	35.1	6.03	12.1	35.8				
40	50	30.7	4.34	31.7	3.66	5.48	32.1	4.25	6.75	32.5	4.55	7.45	32.6	4.84	8.17	32.8	5.44	9.74	33.2	6.03	11.4	33.6				
	60	30.7	4.27	31.4	3.66	5.38	31.7	4.25	6.63	32.0	4.55	7.31	32.0	4.84	8.02	32.2	5.44	9.55	32.5	6.03	11.2	32.8				
	96	30.7	5.43	38.5	3.66	6.89	39.2	4.25	8.55	39.9	4.55	9.45	40.2	4.84	10.4	40.6	5.44	12.4	41.4	6.03	14.6	42.2				
45	50	30.7	5.33	37.9	3.66	6.77	38.5	4.25	8.39	39.1	4.55	9.27	39.4	4.84	10.2	39.7	5.44	12.2	40.3	6.03	14.4	40.9				
	60	30.7	5.09	36.8	3.66	6.45	37.1	4.25	7.99	37.5	4.55	8.82	37.7	4.84	9.70	37.9	5.44	11.6	38.3	6.03	13.6	38.7				
	96	30.7	5.00	36.4	3.66	6.33	36.7	4.25	7.84	37.0	4.55	8.65	37.2	4.84	9.51	37.3	5.44	11.4	37.6	6.03	13.4	37.9				
50	10	50	25.58	2.57	12.7	3.05	3.16	13.2	3.54	3.82	13.8	3.79	4.18	14.0	4.04	4.55	14.3	4.53	5.35	14.8	5.02	6.22	15.4			
		60	25.58	2.53	12.2	3.05	3.11	12.7	3.54	3.76	13.1	3.79	4.11	13.3	4.04	4.47	13.6	4.53	5.26	14.0	5.02	6.11	14.5			
		96	25.58	2.42	11.4	3.05	2.97	11.7	3.54	3.59	11.9	3.79	3.92	12.1	4.04	4.26	12.2	4.53	5.01	12.5	5.02	5.81	12.8			
	15	50	25.58	2.38	11.1	3.05	2.92	11.3	3.54	3.52	11.6	3.79	3.85	11.7	4.04	4.19	11.8	4.53	4.91	12.0	5.02	5.70	12.2			
		60	25.58	2.66	17.7	3.05	3.27	18.2	3.54	3.96	18.8	3.79	4.32	19.0	4.04	4.71	19.3	4.53	5.54	19.9	5.02	6.44	20.4			
		96	25.58	2.61	17.2	3.05	3.22	17.7	3.54	3.89	18.1	3.79	4.25	18.4	4.04	4.63	18.6	4.53	5.44	19.0	5.02	6.32	19.5			
	20	50	25.58	2.50	16.4	3.05	3.07	16.7	3.54	3.71	16.9	3.79	4.05	17.1	4.04	4.41	17.2	4.53	5.18	17.5	5.02	6.01	17.8			
		60	25.58	2.46	16.1	3.05	3.02	16.3	3.54	3.64	16.6	3.79	3.98	16.7	4.04	4.33	16.8	4.53	5.08	17.0	5.02	5.90	17.2			
		96	25.6	2.75	22.7	3.05	3.39	23.2	3.54	4.10</																

# 4 Capacity tables

## 4 - 2 Cooling capacity tables

### RWEYQ30PY1

TC: Total Capacity: kW ; PI: Power Input: kW (compressor + outdoor fan motor) ; OWT: Outlet Water Temperatur: °C

Combination (%)	Inlet Water Temp. (°C)	Water Volume L/min	Indoor air temperature: °CDB																																																																																								
			14.0			16.0			18.0			19.0			20.0			22.0			24.0																																																																						
			TC	PI	OWT	TC	PI	OWT	TC	PI	OWT	TC	PI	OWT	TC	PI	OWT	TC	PI	OWT	TC	PI	OWT																																																																				
130	10	50	70.3	10.4	17.7	83.8	13.9	19.3	91.6	14.7	20.2	92.9	14.8	20.3	94.2	14.8	20.4	96.3	14.9	20.6	97.9	15.0	20.8	60	70.3	10.2	16.4	83.8	13.6	17.8	92.0	14.5	18.5	93.4	14.6	18.6	94.6	14.7	18.7	96.7	14.8	18.9	98.4	14.8	19.0	96	70.3	9.72	14.0	83.8	12.92	14.8	93.2	14.1	15.3	94.5	14.2	15.4	95.8	14.3	15.5	98.0	14.4	15.6	99.7	14.4	15.7	120	70.3	9.53	13.2	83.8	12.67	13.8	93.6	14.0	14.1	94.5	14.1	14.3	96.3	14.1	14.4	98.5	14.2	14.5	100	14.3	14.6		
		15	50	70.3	10.8	22.7	83.8	14.4	24.4	90.0	15.1	25.0	91.3	15.2	25.2	92.4	15.2	25.3	94.5	15.3	25.5	96.0	15.4	25.6	60	70.3	10.6	21.4	83.8	14.1	22.8	90.4	15.0	23.4	91.7	15.0	23.5	92.9	15.1	23.6	94.9	15.2	23.8	96.5	15.2	23.9	96	70.3	10.1	19.0	83.8	13.4	19.8	91.5	14.6	20.3	92.8	14.6	20.3	94.1	14.7	20.4	96.2	14.8	20.5	97.8	14.8	20.6	120	70.3	9.87	18.2	83.8	13.1	18.9	91.9	14.4	19.2	93.3	14.5	19.3	94.5	14.5	19.3	96.6	14.6	19.4	98.3	14.7	19.5	
			20	50	70.3	11.2	27.8	83.8	15.0	29.4	87.8	15.6	29.9	89.1	15.62	30.0	90.2	15.7	30.1	92.1	15.8	30.3	93.5	15.8	30.5	60	70.3	11.0	26.5	83.8	14.7	27.8	88.3	15.4	28.3	89.5	15.5	28.4	90.7	15.5	28.5	92.6	15.6	28.6	94.0	15.7	28.7	96	70.3	10.5	24.0	83.8	13.9	24.9	89.4	15.0	25.2	90.6	15.0	25.3	91.8	15.1	25.3	93.8	15.2	25.4	95.3	15.3	25.5	120	70.3	10.3	23.2	83.8	13.6	23.9	89.8	14.8	24.2	91.1	14.9	24.2	92.3	14.9	24.3	94.3	15.0	24.4	95.8	15.1	24.4
	25			50	70.3	13.2	33.0	82.5	17.1	34.5	85.3	17.3	34.8	86.4	17.4	34.9	87.5	17.4	35.0	89.2	17.5	35.2	90.4	17.6	35.3	60	70.3	13.0	31.6	82.9	16.9	33.0	85.7	17.1	33.2	86.8	17.2	33.3	87.9	17.3	33.4	89.7	17.4	33.5	90.9	17.4	33.6	96	70.3	12.3	29.1	83.8	16.4	30.0	86.7	16.7	30.1	87.9	16.7	30.2	89.0	16.8	30.3	90.9	16.9	30.4	92.2	16.9	30.4	120	70.3	12.1	28.3	83.8	16.1	29.0	87.1	16.5	29.1	88.4	16.6	29.2	89.5	16.6	29.2	91.3	16.7	29.3	92.7	16.8	29.4
		30		50	70.3	15.7	38.2	79.6	18.9	39.4	82.1	19.0	39.7	83.2	19.1	39.8	84.2	19.2	39.9	85.7	19.3	40.0	86.7	19.3	40.1	60	70.3	15.4	36.8	79.9	18.7	37.9	82.5	18.9	38.1	83.6	18.9	38.2	84.6	19.0	38.3	86.1	19.1	38.4	87.2	19.1	38.5	96	70.3	14.6	34.2	80.9	18.2	34.9	83.6	18.3	35.1	84.7	18.4	35.1	85.7	18.5	35.2	87.3	18.6	35.3	88.4	18.6	35.3	120	70.3	14.3	33.4	81.3	18.0	34.0	84.0	18.2	34.1	85.1	18.2	34.1	86.1	18.3	34.2	87.8	18.4	34.2	88.9	18.4	34.3
			35	50	70.3	18.7	43.5	76.1	20.6	44.2	78.5	20.8	44.5	79.5	20.9	44.6	80.3	20.9	44.7	81.5	21.0	44.8	82.2	21.0	44.9	60	70.3	18.4	42.1	76.5	20.4	42.7	78.9	20.6	42.9	79.8	20.7	43.0	80.7	20.7	43.1	82.0	20.8	43.2	82.7	20.8	43.2	96	70.3	17.4	39.4	77.4	19.8	39.8	79.9	20.0	40.0	80.9	20.1	40.0	81.8	20.2	40.1	83.1	20.3	40.1	83.9	20.3	40.2	120	70.3	17.1	38.5	77.8	19.6	38.9	80.2	19.8	39.0	81.3	19.9	39.0	82.2	20.0	39.1	83.6	20.0	39.1	84.4	20.1	39.2
	40			50	57.1	15.2	46.9	58.8	15.3	47.1	59.8	15.3	47.2	60.0	15.3	47.2	60.0	15.3	47.2	59.5	15.1	47.1	58.1	14.9	47.0	60	60.1	16.4	46.1	62.1	16.6	46.3	63.4	16.6	46.4	63.8	16.6	46.4	64.0	16.6	46.4	63.8	16.5	46.4	63.0	16.3	46.3	96	68.3	18.4	44.3	70.9	18.6	44.5	73.0	18.7	44.6	73.7	18.8	44.6	74.4	18.8	44.6	75.2	18.8	44.7	75.3	18.8	44.7	120	68.9	18.1	43.5	71.6	18.3	43.6	73.6	18.4	43.7	74.4	18.5	43.7	75.1	18.5	43.7	75.9	18.5	43.8	76.2	18.5	43.8
		45		50	40.0	9.59	49.7	39.5	9.45	49.7	37.9	9.18	49.5	36.7	8.99	49.4	35.1	8.77	49.2	31.2	8.24	48.8	26.2	7.56	48.4	60	43.9	10.6	49.3	44.0	10.5	49.3	43.1	10.3	49.3	42.3	10.2	49.2	41.2	10.0	49.1	38.2	9.59	48.8	34.2	9.04	48.4	96	54.7	13.9	48.4	56.2	14.0	48.5	56.9	14.0	48.5	56.9	13.9	48.5	56.8	13.9	48.5	56.8	13.7	48.5	54.1	13.4	48.4	120	59.9	16.0	48.0	61.9	16.1	48.1	63.2	16.2	48.2	63.6	16.2	48.2	63.8	16.2	48.2	63.6	16.1	48.2	62.7	15.9	48.1
			120	10	50	64.9	9.20	17.1	77.4	12.18	18.6	89.9	14.6	20.0	91.3	14.7	20.1	92.6	14.7	20.3	94.8	14.8	20.5	96.7	14.9	20.7	60	64.9	9.02	15.9	77.4	11.95	17.1	89.9	14.4	18.3	91.8	14.5	18.5	93.0	14.6	18.6	95.3	14.7	18.8	97.1	14.8	18.9	96	64.9	8.57	13.7	77.4	11.34	14.4	89.9	14.0	15.2	92.9	14.1	15.3	94.2	14.2	15.4	96.5	14.3	15.5	98.4	14.4	15.6	120	64.9	8.41	12.9	77.4	11.12	13.5	89.9	13.8	14.1	93.3	14.0	14.3	94.6	14.0	14.3	96.9	14.2	14.4	98.9	14.2
	15				50	64.9	9.52	22.1	77.4	12.6	23.6	88.4	15.0	24.9	89.7	15.1	25.0	90.9	15.2	25.1	93.1	15.3	25.4	94.8	15.4	25.5	60	64.9	9.34	20.9	77.4	12.4	22.1	88.8	14.9	23.3	90.1	15.0	23.4	91.4	15.0	23.5	93.5	15.1	23.7	95.3	15.2	23.8	96	64.9	8.88	18.7	77.4	11.7	19.4	89.9	14.5	20.2	91.2	14.5	20.3	92.5	14.6	20.4	94.7	14.7	20.4	96.6	14.8	20.5	120	64.9	8.71	17.9	77.4	11.5	18.5	89.9	14.3	19.1	91.7	14.4	19.2	92.9	14.5	19.3	95.2	14.6	19.4	97.0	14.6
		20			50	64.9	9.89	27.1	77.4	13.1	28.6	86.3	15.5	29.7	87.6	15.5	29.9	88.8	15.6	30.0	90.8	15.7	30.2	92.5	15.8	30.3	60	64.9	9.71	25.9	77.4	12.9	27.2	86.7	15.3	28.1	88.0	15.4	28.2	89.2	15.5	28.3	91.3	15.6	28.5	92.9	15.6	28.6	96	64.9	9.22	23.7	77.4	12.2	24.5	87.8	14.9	25.1	89.1	15.0	25.2	90.3	15.0	25.2	92.4	15.1	25.4	94.2	15.2	25.4	120	64.9	9.04	22.9	77.4	12.0	23.6	88.2	14.7	24.1	89.5	14.8	24.2	90.7	14.9	24.2	92.9	15.0	24.3	94.6	15.1
				25	50	64.9	11.6	32.3	77.4	15.5	33.9	83.8	17.2	34.7	85.0	17.3	34.8	86.1	17.4	34.9	88.0	17.5	35.1	89.5	17.5	35.2	60	64.9	11.4	31.1	77.4	15.2	32.4	84.2	17.0	33.1	85.4	17.1	33.2	86.5	17.2	33.3	88.5	17.3	33.4	90.0	17.4	33.5	96	64.9	10.9	28.8	77.4	14.4	29.6	85.2	16.6	30.1	86.5	16.6	30.1	87.6	16.7	30.2	89.6	16.8	30.3	91.2	16.9	30.4	120	64.9	10.6	28.0	77.4	14.1	28.6	85.6	16.4	29.1	86.9	16.5	29.1	88.1	16.5	29.2	90.1	16.6	29.2	91.7	16.7
30	50				64.9	13.8	37.5	77.4	18.4	39.1	80.8	18.9	39.5	81.9	19.0	39.6	83.0	19.1	39.8	84.7	19.2	39.9	86.8	19.3	40.1	60	64.9	13.5	36.2	77.4	18.0	37.6	81.2	18.8	38.0	82.3	18.8	38.1	83.4	18.9	38.1	85.1	19.0	38.3	86.4	19.1	38.4	96	64.9	12.8	33.9	77.4	17.1	34.7	82.2	18.2	35.0	83.4	18.3	35.1	84.4	18.4	35.1	86.2	18.5	35.2	87.6	18.6	35.3	120	64.9	12.6	33.1	77.4	16.7	33.7	82.6	18.1	34.0	83.7	18.1	34.1	84.8	18.2	34.1	86.7	18.3	34.2	88.1	18.4	34.2
	35	50			64.9	16.4	42.8	77.4	20.5	44.1	77.2	20.7	44.4	78.3	20.8	44.5	79.2	20.9	44.6	80.7	21.0	44.7	81.7	21.0	44.8	60	64.9	16.1	41.5	75.1	20.3	42.6	77.6	20.5	42.8	78.7	20.6	42.9	79.6	20.7	43.0	81.1	20.8	43.1	82.2	20.8	43.2	96	64.9	15.3	39.0	76.1	19.7	39.8	78.6	19.9	39.9	79.7	20.0	40.0	80.6	20.1	40.0	82.2	20.2	40.1	83.3	20.3	40.2	120	64.9	15.0	38.2	76.4	19.5	38.8	78.9	19.7	38.8	80.0	19.8	38.9	81.0	19.9	38.9	82.6	20.0	39.1	83.8	20.1	39.1
		40		50	56.2	15.1	46.8	58.1	15.3	47.0	59.4	15.3	47.1	59.8	15.3	47.2	60.0	15.3	47.2	59.9	15.2	47.2	59.2	15.1	47.1	60	59.1	16.3	46.0	61.2	16.5	46.2	62.8	16.6	46.3	63.3	16.6	46.4	63.7	16.6	46.4	64.0	16.6	46.4	63.7	16.5	46.4	96	64.9	17.0	44.1</																																								

# 4 Capacity tables

## 4 - 2 Cooling capacity tables

### RWEYQ30PY1

TC: Total Capacity: kW ; PI: Power Input: kW (compressor + outdoor fan motor) ; OWT: Outlet Water Temperatur: °C

Combination (%)	Inlet Water Temp. (°C)	Water Volume l/min	Indoor air temperature: °CDB																							
			14.0			16.0			18.0			19.0			20.0			22.0			24.0					
			TC	PI	OWT	TC	PI	OWT	TC	PI	OWT	TC	PI	OWT	TC	PI	OWT	TC	PI	OWT	TC	PI	OWT			
100	10	50	54.1	6.96	15.8	64.5	9.11	17.0	74.9	11.55	18.3	80.1	12.89	18.9	85.3	14.3	19.5	91.2	14.7	20.1	93.3	14.8	20.3			
		60	54.1	6.84	14.9	64.5	8.94	15.8	74.9	11.33	16.9	80.1	12.64	17.4	85.3	14.0	17.9	91.7	14.5	18.5	93.7	14.6	18.4			
		96	54.1	6.50	13.0	64.5	8.49	13.6	74.9	10.76	14.3	80.1	12.00	14.6	85.3	13.3	14.9	92.8	14.1	15.3	94.9	14.2	15.4			
	15	50	54.1	7.21	20.9	64.5	9.43	22.1	74.9	12.0	23.3	80.1	13.3	23.9	85.3	14.8	24.6	89.6	15.1	24.3	91.6	15.2	25.2			
		60	54.1	7.08	19.9	64.5	9.25	20.9	74.9	11.7	21.9	80.1	13.1	22.4	85.3	14.5	23.0	90.0	15.0	23.4	92.1	15.1	23.5			
		96	54.1	6.73	18.0	64.5	8.79	18.6	74.9	11.14	19.3	80.1	12.4	19.6	85.3	13.8	19.9	91.2	14.5	20.3	93.2	14.6	20.4			
	20	50	54.1	6.60	17.4	64.5	8.62	17.9	74.9	10.92	18.4	80.1	12.2	18.7	85.3	13.5	18.9	91.6	14.4	19.2	93.6	14.5	19.3			
		60	54.1	7.48	25.9	64.5	9.80	27.1	74.9	12.4	28.3	80.1	13.9	29.0	85.3	15.4	29.6	87.5	15.5	29.8	89.4	15.6	30.0			
		96	54.1	6.99	23.0	64.5	9.13	23.7	74.9	11.6	24.3	80.1	12.9	24.6	85.3	14.3	25.0	89.0	15.0	25.2	91.0	15.1	25.3			
	25	50	54.1	6.86	22.4	64.5	8.96	22.9	74.9	11.4	23.4	80.1	12.7	23.7	85.3	14.0	24.0	89.4	14.8	24.2	91.4	14.9	24.2			
		60	54.1	8.79	31.0	64.5	11.5	32.3	74.9	14.7	33.6	80.1	16.4	34.2	82.8	17.1	34.6	84.9	17.3	34.8	86.8	17.4	35.0			
		96	54.1	8.20	28.1	64.5	10.8	28.7	74.9	13.7	29.4	80.1	15.2	29.7	84.2	16.5	30.0	86.4	16.6	30.1	88.3	16.7	30.2			
30	50	54.1	8.05	27.5	64.5	10.5	28.0	74.9	13.4	28.5	80.1	14.9	28.8	84.6	16.3	29.0	86.6	16.5	29.1	88.7	16.6	29.2				
	60	54.1	10.4	36.2	64.5	13.6	37.5	74.9	17.4	38.8	78.8	18.8	39.3	79.9	18.9	39.4	81.9	19.0	39.6	83.5	19.1	39.8				
	96	54.1	10.2	35.1	64.5	13.4	36.2	74.9	17.1	37.3	79.1	18.6	37.8	80.2	18.7	37.9	82.2	18.8	38.0	83.9	19.0	38.2				
35	50	54.1	9.67	33.2	64.5	12.7	33.8	74.9	16.2	34.5	80.1	18.1	34.9	81.2	18.2	34.9	83.3	18.3	35.1	85.0	18.4	35.1				
	60	54.1	9.48	32.5	64.5	12.5	33.1	74.9	15.9	33.6	80.1	17.7	33.9	81.6	18.0	34.0	83.7	18.1	34.1	85.4	18.2	34.1				
	96	54.1	12.3	41.3	64.5	16.3	42.7	74.2	20.4	44.0	75.4	20.5	44.2	76.4	20.6	44.3	78.2	20.8	44.5	79.7	20.9	44.6				
40	50	54.1	11.5	38.3	64.5	15.2	39.0	74.9	19.4	39.7	76.6	19.8	39.8	77.7	19.9	39.9	79.6	20.0	40.0	81.2	20.1	40.0				
	60	54.1	11.3	37.6	64.5	14.9	38.2	74.9	19.0	38.7	77.0	19.6	38.8	78.1	19.7	38.9	80.0	19.8	39.0	81.6	19.9	39.0				
	96	54.1	14.9	46.6	56.1	15.1	46.8	57.8	15.2	47.0	58.4	15.3	47.0	59.0	15.3	47.1	59.7	15.3	47.2	60.0	15.3	47.2				
45	50	54.1	14.6	45.5	59.0	16.3	46.0	60.9	16.5	46.2	61.6	16.5	46.2	62.3	16.6	46.3	63.3	16.6	46.4	63.9	16.6	46.4				
	60	54.1	12.7	43.3	64.5	16.9	44.0	69.3	18.4	44.4	70.3	18.5	44.4	71.2	18.6	44.5	72.7	18.7	44.6	73.9	18.8	44.6				
	96	54.1	12.3	42.6	64.5	16.3	43.2	69.9	18.1	43.5	70.9	18.2	43.5	71.8	18.3	43.6	73.4	18.4	43.7	74.6	18.5	43.7				
50	50	39.0	9.58	49.6	39.8	9.61	49.7	39.9	9.56	49.7	39.8	9.50	49.7	39.4	9.43	49.7	38.2	9.22	49.5	36.3	8.93	49.3				
	60	42.3	10.5	49.2	43.5	10.6	49.3	44.0	10.6	49.3	44.1	10.5	49.4	44.0	10.5	49.3	43.2	10.4	49.3	42.0	10.1	49.2				
	96	51.8	13.7	48.3	53.8	13.8	48.4	55.3	13.9	48.4	55.8	14.0	48.5	56.3	14.0	48.5	56.8	14.0	48.5	56.9	13.9	48.5				
10	50	48.7	5.97	15.2	58.0	7.75	16.3	67.4	9.77	17.4	72.1	10.87	17.9	76.8	12.03	18.5	86.2	14.4	19.6	91.2	14.7	20.1				
	60	48.7	5.86	14.3	58.0	7.60	15.2	67.4	9.58	16.1	72.1	10.66	16.6	76.8	11.80	17.1	86.2	14.2	18.0	91.6	14.5	18.5				
	96	48.7	5.58	12.7	58.0	7.23	13.2	67.4	9.10	13.8	72.1	10.12	14.1	76.8	11.20	14.4	86.2	13.5	15.0	92.8	14.1	15.3				
15	50	48.7	5.48	12.2	58.0	7.09	12.6	67.4	8.93	13.0	72.1	9.93	13.3	76.8	10.98	13.5	86.2	13.3	14.0	93.2	14.0	14.3				
	60	48.7	6.18	20.2	58.0	8.02	21.3	67.4	10.11	22.4	72.1	11.25	23.0	76.8	12.5	23.5	86.2	14.9	24.7	89.6	15.1	25.0				
	96	48.7	5.77	17.7	58.0	7.48	18.3	67.4	9.42	18.8	72.1	10.48	19.1	76.8	11.6	19.4	86.2	14.0	20.0	91.1	14.5	20.3				
20	50	48.7	5.67	17.2	58.0	7.34	17.6	67.4	9.24	18.1	72.1	10.28	18.3	76.8	11.4	18.5	86.2	13.7	19.0	91.5	14.4	19.2				
	60	48.7	6.41	25.3	58.0	8.33	26.3	67.4	10.5	27.4	72.1	11.7	28.0	76.8	12.9	28.6	85.5	15.4	29.6	87.5	15.5	29.8				
	96	48.7	6.30	24.4	58.0	8.17	25.3	67.4	10.3	26.2	72.1	11.5	26.7	76.8	12.7	27.1	85.9	15.3	28.1	87.9	15.4	28.2				
25	50	48.7	5.99	22.7	58.0	7.77	23.3	67.4	9.79	23.8	72.1	10.9	24.1	76.8	12.1	24.4	86.2	14.6	25.0	89.0	15.0	25.2				
	60	48.7	5.88	22.2	58.0	7.62	22.6	67.4	9.60	23.1	72.1	10.7	23.3	76.8	11.8	23.5	86.2	14.3	24.0	89.4	14.8	24.1				
	96	48.7	7.52	30.4	58.0	9.79	31.5	67.4	12.4	32.6	72.1	13.8	33.2	76.8	15.3	33.8	83.0	17.1	34.6	84.9	17.3	34.8				
30	50	48.7	7.38	29.5	58.0	9.61	30.4	67.4	12.1	31.3	72.1	13.5	31.8	76.8	15.0	32.3	83.4	17.0	33.0	85.3	17.1	33.2				
	60	48.7	7.02	27.8	58.0	9.13	28.3	67.4	11.5	28.9	72.1	12.8	29.2	76.8	14.2	29.5	84.4	16.5	30.0	86.4	16.6	30.1				
	96	48.7	6.89	27.2	58.0	8.96	27.7	67.4	11.3	28.1	72.1	12.6	28.4	76.8	13.9	28.6	84.8	16.3	29.0	86.8	16.5	29.1				
35	50	48.7	8.84	35.5	58.0	11.6	36.7	67.4	14.7	37.8	72.1	16.3	38.5	76.8	18.1	39.1	80.0	18.9	39.5	81.8	19.0	39.6				
	60	48.7	8.68	34.6	58.0	11.3	35.5	67.4	14.4	36.5	72.1	16.0	37.0	76.8	17.8	37.5	80.4	18.7	37.9	82.2	18.8	38.0				
	96	48.7	8.26	32.8	58.0	10.8	33.4	67.4	13.6	34.0	72.1	15.2	34.3	76.8	16.9	34.7	81.4	18.2	35.0	83.2	18.3	35.1				
40	50	48.7	8.10	32.3	58.0	10.6	32.7	67.4	13.4	33.2	72.1	14.9	33.5	76.8	16.5	33.7	81.8	18.0	34.0	83.6	18.1	34.1				
	60	48.7	10.5	40.7	58.0	13.8	41.9	67.4	17.5	43.1	72.1	19.5	43.8	74.7	20.5	44.1	76.6	20.6	44.3	78.2	20.8	44.5				
	96	48.7	10.3	39.7	58.0	13.5	40.7	67.4	17.2	41.7	72.1	19.2	42.3	75.0	20.3	42.6	76.9	20.4	42.6	78.6	20.6	42.9				
45	50	48.7	9.78	37.9	58.0	12.8	38.5	67.4	16.3	39.2	72.1	18.2	39.5	75.9	19.7	39.8	77.9	19.9	39.9	79.6	20.0	40.0				
	60	48.7	9.60	37.3	58.0	12.6	37.8	67.4	16.0	38.3	72.1	17.8	38.6	76.3	19.5	38.8	78.2	19.7	38.9	79.9	19.8	39.0				
	96	48.7	12.6	45.9	54.9	15.0	46.7	56.6	15.2	46.9	57.4	15.2	46.9	58.0	15.3	47.0	59.1	15.3	47.1	59.7	15.3	47.2				
10	50	48.7	12.3	44.9	57.6	16.2	45.																			



# 4 Capacity tables

## 4 - 2 Cooling capacity tables

**RWEYQ30PY1**

TC: Total Capacity: kW ; PI: Power Input: kW (compressor + outdoor fan motor) ; OWT: Outlet Water Temperatur: °C

Indoor air temperature: °CDB

Combination (%)	Inlet Water Temp. (°C)	Water Volume L/min	Indoor air temperature: °CDB																							
			14.0			16.0			18.0			19.0			21.0			22.0			24.0					
			TC	PI	OWT	TC	PI	OWT	TC	PI	OWT	TC	PI	OWT	TC	PI	OWT	TC	PI	OWT	TC	PI	OWT			
70	10	50	37.8	4.22	14.0	45.1	5.36	14.8	52.4	6.65	15.6	56.1	7.35	16.1	59.7	8.09	16.5	67.0	9.67	17.3	74.3	11.41	18.2			
		60	37.8	4.15	13.3	45.1	5.27	14.0	52.4	6.53	14.7	56.1	7.22	15.0	59.7	7.94	15.4	67.0	9.49	16.1	74.3	11.19	16.8			
		96	37.8	3.96	12.1	45.1	5.02	12.5	52.4	6.22	12.9	56.1	6.87	13.1	59.7	7.55	13.3	67.0	9.02	13.8	74.3	10.62	14.2			
		120	37.8	3.89	11.7	45.1	4.93	12.0	52.4	6.10	12.3	56.1	6.74	12.5	59.7	7.41	12.7	67.0	8.84	13.0	74.3	10.42	13.4			
	15	50	37.8	4.37	19.0	45.1	5.55	19.8	52.4	6.89	20.7	56.1	7.61	21.1	59.7	8.37	21.5	67.0	10.02	22.4	74.3	11.8	23.2			
		60	37.8	4.29	18.4	45.1	5.45	19.0	52.4	6.76	19.7	56.1	7.47	20.1	59.7	8.22	20.4	67.0	9.83	21.1	74.3	11.6	21.8			
		96	37.8	4.09	17.1	45.1	5.19	17.5	52.4	6.43	17.9	56.1	7.11	18.1	59.7	7.81	18.4	67.0	9.34	18.8	74.3	11.00	19.2			
		120	37.8	4.02	16.7	45.1	5.10	17.0	52.4	6.31	17.3	56.1	6.97	17.5	59.7	7.67	17.7	67.0	9.16	18.0	74.3	10.78	18.4			
	20	50	37.8	4.53	24.0	45.1	5.76	24.9	52.4	7.15	25.7	56.1	7.91	26.1	59.7	8.70	26.5	67.0	10.4	27.4	74.3	12.3	28.3			
		60	37.8	4.45	23.4	45.1	5.66	24.0	52.4	7.02	24.7	56.1	7.76	25.1	59.7	8.54	25.4	67.0	10.2	26.1	74.3	12.0	26.9			
		96	37.8	4.25	22.1	45.1	5.39	22.5	52.4	6.68	22.9	56.1	7.38	23.2	59.7	8.12	23.4	67.0	9.70	23.8	74.3	11.4	24.3			
		120	37.8	4.17	21.7	45.1	5.29	22.0	52.4	6.56	22.3	56.1	7.24	22.5	59.7	7.96	22.7	67.0	9.51	23.0	74.3	11.2	23.4			
25	50	37.8	5.29	29.1	45.1	6.74	30.0	52.4	8.39	30.8	56.1	9.29	31.2	59.7	10.2	31.7	67.0	12.3	32.6	74.3	14.5	33.5				
	60	37.8	5.19	28.4	45.1	6.62	29.1	52.4	8.24	29.8	56.1	9.12	30.2	59.7	10.0	30.6	67.0	12.0	31.3	74.3	14.2	32.0				
	96	37.8	4.95	27.1	45.1	6.31	27.6	52.4	7.84	28.0	56.1	8.67	28.2	59.7	9.54	28.4	67.0	11.4	28.9	74.3	13.5	29.4				
	120	37.8	4.86	26.7	45.1	6.19	27.0	52.4	7.69	27.4	56.1	8.50	27.6	59.7	9.36	27.8	67.0	11.2	28.1	74.3	13.2	28.5				
30	50	37.8	6.18	34.2	45.1	7.92	35.1	52.4	9.89	36.0	56.1	11.0	36.4	59.7	12.1	36.9	67.0	14.5	37.8	74.3	17.2	38.7				
	60	37.8	6.07	33.5	45.1	7.78	34.2	52.4	9.71	34.9	56.1	10.8	35.3	59.7	11.9	35.7	67.0	14.2	36.5	74.3	16.8	37.3				
	96	37.8	5.79	32.2	45.1	7.40	32.6	52.4	9.23	33.1	56.1	10.2	33.3	59.7	11.3	33.5	67.0	13.5	34.0	74.3	16.0	34.5				
	120	37.8	5.68	31.7	45.1	7.27	32.1	52.4	9.05	32.4	56.1	10.0	32.6	59.7	11.1	32.8	67.0	13.3	33.2	74.3	15.7	33.6				
35	50	37.8	7.28	39.3	45.1	9.37	40.2	52.4	11.7	41.1	56.1	13.0	41.6	59.7	14.4	42.1	67.0	17.3	43.1	74.3	20.4	44.0				
	60	37.8	7.15	38.6	45.1	9.20	39.3	52.4	11.5	40.1	56.1	12.8	40.5	59.7	14.1	40.9	67.0	17.0	41.7	74.3	20.1	42.5				
	96	37.8	6.81	37.2	45.1	8.75	37.7	52.4	11.0	38.2	56.1	12.2	38.4	59.7	13.4	38.6	67.0	16.1	39.1	74.3	19.1	39.6				
	120	37.8	6.69	36.8	45.1	8.59	37.1	52.4	10.7	37.5	56.1	11.9	37.7	59.7	13.2	37.9	67.0	15.8	38.3	74.3	18.7	38.7				
40	50	37.8	8.45	44.4	45.1	11.1	45.4	52.4	14.2	46.4	54.4	15.0	46.6	55.2	15.0	46.7	56.6	15.1	46.9	57.7	15.2	47.0				
	60	37.8	8.31	43.7	45.1	10.9	44.5	52.4	13.9	45.3	56.1	15.5	45.7	58.0	16.2	45.9	59.5	16.4	46.0	60.8	16.5	46.1				
	96	37.8	7.40	42.3	45.1	9.59	42.7	52.4	12.1	43.2	56.1	13.5	43.5	59.7	14.9	43.7	60.0	18.0	44.2	69.2	18.4	44.4				
	120	37.8	7.17	41.8	45.1	9.29	42.2	52.4	11.7	42.6	56.1	13.0	42.8	59.7	14.4	43.0	67.0	17.4	43.4	69.7	18.1	43.5				
45	50	36.4	9.38	49.4	37.7	9.49	49.5	36.8	9.57	49.6	39.2	9.59	49.7	39.5	9.60	49.7	39.9	9.60	49.7	40.0	9.56	49.7				
	60	37.8	9.53	48.8	40.8	10.4	49.1	42.0	10.5	49.2	42.6	10.5	49.2	43.0	10.6	49.3	43.7	10.6	49.3	44.0	10.6	49.3				
	96	37.8	8.37	47.3	45.1	11.1	47.8	51.4	13.6	48.2	52.2	13.7	48.3	52.9	13.8	48.3	54.2	13.9	48.4	55.2	13.9	48.4				
	120	37.8	8.13	46.8	45.1	10.7	47.2	52.4	13.6	47.6	56.1	15.2	47.8	57.9	15.8	47.9	59.3	15.9	48.0	60.6	16.0	48.1				
60	10	50	32.44	3.47	13.4	38.7	4.35	14.1	44.9	5.33	14.8	48.1	5.86	15.2	51.2	6.42	15.5	57.4	7.63	16.2	63.7	8.93	16.9			
		60	32.44	3.41	12.9	38.7	4.27	13.4	44.9	5.24	14.0	48.1	5.76	14.3	51.2	6.31	14.6	57.4	7.49	15.2	63.7	8.77	15.8			
		96	32.44	3.26	11.8	38.7	4.07	12.1	44.9	4.99	12.5	48.1	5.48	12.7	51.2	6.00	12.8	57.4	7.12	13.2	63.7	8.33	13.6			
		120	32.44	3.20	11.4	38.7	4.00	11.7	44.9	4.90	12.0	48.1	5.38	12.1	51.2	5.89	12.3	57.4	6.98	12.6	63.7	8.17	12.9			
	15	50	32.44	3.59	18.4	38.7	4.50	19.1	44.9	5.52	19.8	48.1	6.07	20.2	51.2	6.65	20.5	57.4	7.89	21.2	63.7	9.25	22.0			
		60	32.44	3.53	17.9	38.7	4.42	18.4	44.9	5.42	19.0	48.1	5.96	19.3	51.2	6.53	19.6	57.4	7.75	20.2	63.7	9.08	20.8			
		96	32.44	3.37	16.8	38.7	4.21	17.1	44.9	5.16	17.5	48.1	5.67	17.7	51.2	6.21	17.9	57.4	7.37	18.2	63.7	8.62	18.6			
		120	32.44	3.31	16.4	38.7	4.14	16.7	44.9	5.07	17.0	48.1	5.57	17.1	51.2	6.10	17.3	57.4	7.23	17.6	63.7	8.46	17.9			
	20	50	32.4	3.72	23.5	38.7	4.66	24.1	44.9	5.73	24.8	48.1	6.30	25.2	51.2	6.90	25.6	57.4	8.20	26.3	63.7	9.61	27.0			
		60	32.4	3.66	22.9	38.7	4.58	23.4	44.9	5.62	24.0	48.1	6.19	24.3	51.2	6.78	24.6	57.4	8.05	25.2	63.7	9.43	25.8			
		96	32.4	3.49	21.8	38.7	4.37	22.1	44.9	5.36	22.5	48.1	5.89	22.7	51.2	6.45	22.9	57.4	7.65	23.2	63.7	8.96	23.6			
		120	32.4	3.43	21.4	38.7	4.29	21.7	44.9	5.26	22.0	48.1	5.78	22.1	51.2	6.33	22.3	57.4	7.51	22.6	63.7	8.79	22.9			
25	50	32.4	4.33	28.5	38.7	5.44	29.2	44.9	6.70	29.9	48.1	7.38	30.3	51.2	8.10	30.7	57.4	9.64	31.4	63.7	11.3	32.2				
	60	32.4	4.25	27.9	38.7	5.35	28.5	44.9	6.58	29.1	48.1	7.25	29.4	51.2	7.95	29.7	57.4	9.46	30.3	63.7	11.1	31.0				
	96	32.4	4.06	26.8	38.7	5.10	27.2	44.9	6.27	27.5	48.1	6.90	27.7	51.2	7.56	27.9	57.4	8.99	28.3	63.7	10.5	28.7				
	120	32.4	3.99	26.5	38.7	5.01	26.7	44.9	6.15	27.0	48.1	6.77	27.2	51.2	7.42	27.3	57.4	8.82	27.6	63.7	10.3	27.9				
30	50	32.4	5.04	33.6	38.7	6.37	34.3	44.9	7.87	35.0	48.1	8.68	35.4	51.2	9.54	35.8	57.4	11.4	36.6	63.7	13.4	37.4				
	60	32.4	4.96	33.0	38.7	6.26	33.6	44.9	7.73	34.2	48.1	8.52	34.5	51.2	9.36	34.8	57.4	11.2	35.5	63.7	13.1	36.1				
	96	32.4	4.73	31.9	38.7	5.97	32.2	44.9	7.36	32.6	48.1	8.11	32.8	51.2	8.90	33.0	57.4	10.6	33.4	63.7	12.5	33.8				
	120	32.4	4.65	31.5	38.7	5.86	31.8	44.9	7.22	32.1	48.1	7.96	32.2	51.2	8.74	32.4	57.4	10.4	32.7	63.7	12.2	33.0				
35	50	32.4	5.91	38.7	38.7	7.51	39.4	44.9	9.31	40.2	48.1	10.3	40.6	51.2	11.3	41.0	57.4	13.5	41.8	63.7	16.0	42.6				
	60	32.4	5.81	38.0	38.7	7.37	38.7	44.9	9.14	39.3	48.1	10.1	39.6	51.2	11.1	40.0	57.4	13.3	40.6	63.7	15.7	41.3				
	96	32.4	5.54	36.9	38.7	7.02	37.3	44.9	8.70	37.7	48.1	9.61	37.9	51.2	10.6	38.1	57.4	12.6	38.5	63.7	14.9	38.9				
	120	32.4	5.44	36.5	38.7	6.90	36.8	44.9	8.53	37.1	48.1	9.42	37.3	51.2	10.4	37.5	57.4	12.4	37.8	63.7	14.6	38.1				
40	50	32.4	6.70	43.7	38.7	8.74	44.5	44.9	11.1	45.4	48.1	12.3	45.8	51.2	13.7	46.2	54.7	15.0	46.7	5						

# 4 Capacity tables

## 4 - 3 Heating capacity tables

### RWEYQ8PY1

TC: Total Capacity: kW ; PI: Power Input: kW (compressor + outdoor fan motor) ; OWT: Outlet Water Temperatur: °C

Combination (%)	Inlet Water Temp. (°C)	Water Volume L/min	Indoor air temperature: °CDB																	
			16.0			18.0			20.0			21.0			22.0			24.0		
			TC kW	PI kW	OWT °C	TC kW	PI kW	OWT °C	TC kW	PI kW	OWT °C	TC kW	PI kW	OWT °C	TC kW	PI kW	OWT °C	TC kW	PI kW	OWT °C
130	10	50	11.7	2.73	7.42	12.2	2.51	7.21	12.7	2.32	7.04	12.8	2.24	6.96	13.0	2.17	6.90	13.3	2.07	6.79
		60	14.6	2.73	7.17	14.9	2.58	7.05	15.2	2.47	6.96	15.3	2.43	6.93	15.4	2.40	6.89	15.5	2.36	6.85
		96	20.2	3.23	7.47	20.3	3.22	7.45	20.3	3.25	7.45	20.3	3.28	7.45	20.3	3.31	7.46	20.2	3.39	7.48
	15	50	21.2	3.32	9.86	21.3	3.34	9.85	21.3	3.38	9.87	21.3	3.42	9.88	21.2	3.46	9.90	21.1	3.56	9.96
		60	21.9	3.33	10.6	21.9	3.36	10.6	21.9	3.41	10.6	21.8	3.45	10.6	21.8	3.50	10.6	21.7	3.61	10.7
		96	23.4	3.37	12.0	23.4	3.43	12.0	23.3	3.51	12.0	23.3	3.56	12.1	23.2	3.61	12.1	23.1	3.74	12.1
	20	50	25.4	3.47	13.7	25.4	3.55	13.8	25.2	3.66	13.8	25.2	3.71	13.9	25.1	3.78	13.9	24.9	3.92	14.0
		60	25.6	3.48	14.7	25.5	3.57	14.8	25.4	3.67	14.8	25.3	3.73	14.8	25.2	3.79	14.9	25.0	3.93	15.0
		96	26.1	3.51	16.6	26.0	3.60	16.7	25.8	3.70	16.7	25.7	3.76	16.7	25.7	3.83	16.7	25.4	3.97	16.8
	25	50	28.0	3.64	18.0	27.9	3.75	18.1	27.7	3.87	18.2	27.6	3.93	18.2	27.5	4.00	18.3	27.2	4.15	18.4
		60	28.2	3.66	19.1	28.1	3.76	19.2	27.9	3.88	19.3	27.8	3.95	19.3	27.6	4.02	19.4	27.4	4.17	19.5
		96	28.7	3.69	21.3	28.5	3.80	21.3	28.3	3.92	21.4	28.2	3.99	21.4	28.1	4.06	21.4	27.8	4.21	21.5
30	50	30.6	3.84	22.3	30.4	3.95	22.4	30.1	4.08	22.5	30.0	4.16	22.6	29.9	4.23	22.7	28.3	3.96	23.0	
	60	30.8	3.85	23.6	30.6	3.97	23.6	30.3	4.10	23.7	30.2	4.17	23.8	30.0	4.25	23.8	28.3	3.91	24.2	
	96	31.3	3.89	25.9	31.1	4.01	26.0	30.8	4.14	26.0	30.7	4.22	26.0	30.4	4.25	26.1	28.3	3.80	26.3	
35	50	33.1	4.04	26.7	32.9	4.17	26.8	32.5	4.28	26.9	31.8	4.37	27.1	30.4	4.38	27.4	28.3	3.47	27.9	
	60	33.3	4.06	28.0	33.1	4.18	28.1	32.5	4.23	28.2	31.5	4.32	28.4	30.4	4.38	28.6	28.3	3.43	29.1	
	96	33.9	4.10	30.6	33.6	4.23	30.6	32.5	4.11	30.8	31.5	4.31	30.9	30.4	4.37	31.0	28.3	3.34	31.3	
40	50	35.7	4.25	31.0	34.6	4.15	31.3	32.5	4.11	31.9	31.5	4.31	32.1	30.4	4.32	32.3	28.3	3.35	32.8	
	60	35.9	4.27	32.4	34.6	4.11	32.7	32.5	4.07	33.2	31.5	4.37	33.4	30.4	4.38	33.6	28.3	3.31	34.0	
	96	36.5	4.31	35.2	34.6	3.99	35.4	32.5	3.96	35.7	31.5	4.37	35.9	30.4	4.38	36.0	28.3	3.23	36.3	
45	50	36.7	4.22	35.7	34.6	4.05	36.2	32.5	3.97	36.8	31.5	4.38	37.1	30.4	4.36	37.3	28.3	3.25	37.8	
	60	36.7	4.17	37.2	34.6	4.00	37.7	32.5	3.93	38.2	31.5	4.37	38.4	30.4	4.36	38.6	28.3	3.21	39.0	
	96	36.7	4.06	40.1	34.6	3.89	40.4	32.5	3.82	40.7	31.5	4.36	40.8	30.4	4.37	41.0	28.3	3.13	41.2	
120	10	50	12.4	2.44	7.15	12.8	2.28	7.00	13.1	2.15	6.87	13.2	2.10	6.82	13.3	2.06	6.78	13.5	2.00	6.71
		60	15.0	2.54	7.02	15.3	2.45	6.94	15.4	2.39	6.88	15.5	2.37	6.86	15.6	2.36	6.85	15.6	2.36	6.83
		96	20.3	3.23	7.45	20.3	3.26	7.45	20.3	3.32	7.47	20.3	3.36	7.48	20.2	3.40	7.49	20.1	3.51	7.52
	15	50	21.3	3.35	9.86	21.3	3.40	9.88	21.2	3.48	9.91	21.2	3.52	9.94	21.1	3.57	9.97	21.0	3.70	10.04
		60	21.9	3.37	10.6	21.8	3.43	10.6	21.8	3.52	10.6	21.7	3.57	10.7	21.7	3.62	10.7	21.5	3.75	10.8
		96	23.4	3.46	12.0	23.3	3.54	12.1	23.2	3.64	12.1	23.1	3.69	12.1	23.0	3.76	12.1	22.8	3.89	12.2
	20	50	25.3	3.59	13.8	25.2	3.69	13.8	25.0	3.80	13.9	24.9	3.87	14.0	24.8	3.93	14.0	24.6	4.08	14.1
		60	25.5	3.60	14.8	25.4	3.70	14.8	25.2	3.82	14.9	25.1	3.88	14.9	25.0	3.95	15.0	24.8	4.10	15.1
		96	25.9	3.63	16.7	25.8	3.74	16.7	25.6	3.86	16.8	25.5	3.92	16.8	25.4	3.99	16.8	25.2	4.14	16.9
	25	50	27.8	3.79	18.1	27.6	3.90	18.2	27.4	4.03	18.3	27.3	4.10	18.4	27.2	4.17	18.4	26.1	4.04	18.7
		60	28.0	3.80	19.2	27.8	3.92	19.3	27.6	4.05	19.4	27.5	4.12	19.4	27.3	4.19	19.5	26.1	4.00	19.7
		96	28.5	3.84	21.3	28.3	3.96	21.4	28.0	4.09	21.4	27.9	4.16	21.5	27.8	4.23	21.5	26.1	3.89	21.7
30	50	30.3	4.00	22.5	30.1	4.12	22.6	29.8	4.26	22.7	29.0	4.11	22.9	28.1	4.30	23.1	26.1	3.50	23.5	
	60	30.5	4.01	23.7	30.3	4.14	23.8	30.0	4.28	23.9	29.0	4.07	24.0	28.1	4.36	24.2	26.1	3.46	24.6	
	96	31.0	4.06	26.0	30.7	4.18	26.0	30.0	4.16	26.1	29.0	3.95	26.3	28.1	4.35	26.4	26.1	3.37	26.6	
35	50	32.8	4.21	26.8	31.9	4.16	27.0	30.0	4.78	27.5	29.0	3.80	27.7	28.1	4.42	27.9	26.1	3.08	28.4	
	60	33.0	4.23	28.1	31.9	4.12	28.4	30.0	3.74	28.7	29.0	3.56	28.9	28.1	4.38	29.1	26.1	3.05	29.5	
	96	33.5	4.28	30.6	31.9	4.00	30.8	30.0	3.64	31.1	29.0	3.46	31.2	28.1	4.39	31.3	26.1	2.96	31.5	
40	50	33.7	4.29	31.5	31.9	3.96	31.7	30.0	3.60	31.8	29.0	3.43	31.9	28.1	4.36	32.0	26.1	2.94	32.2	
	60	33.9	4.02	31.4	31.9	4.00	32.0	30.0	3.65	32.4	29.0	3.47	32.7	28.1	4.30	32.9	26.1	2.98	33.4	
	96	33.9	3.97	32.9	31.9	3.96	33.3	30.0	3.61	33.7	29.0	3.44	33.9	28.1	4.27	34.1	26.1	2.95	34.5	
45	50	33.9	3.86	35.5	31.9	3.85	35.8	30.0	3.51	36.0	29.0	3.34	36.2	28.1	4.18	36.3	26.1	2.88	36.5	
	60	33.9	3.83	36.4	31.9	3.82	36.6	30.0	3.48	36.8	29.0	3.32	36.9	28.1	4.16	37.0	26.1	2.85	37.2	
	96	33.9	3.92	36.4	31.9	3.86	37.0	30.0	3.53	37.4	29.0	3.36	37.6	28.1	4.21	37.9	26.1	2.90	38.3	
110	10	50	12.9	2.21	6.93	13.2	2.11	6.83	13.4	2.03	6.75	13.4	2.01	6.72	13.5	1.99	6.70	13.6	1.97	6.66
		60	15.3	2.42	6.91	15.5	2.37	6.87	15.6	2.36	6.84	15.6	2.36	6.83	15.6	2.37	6.83	15.6	2.40	6.84
		96	20.3	3.29	7.46	20.3	3.35	7.47	20.2	3.43	7.50	20.2	3.48	7.51	20.1	3.54	7.53	19.9	3.67	7.57
	15	50	21.3	3.47	7.87	21.2	3.55	7.89	21.1	3.65	7.91	21.1	3.71	7.93	21.0	3.77	7.94	20.8	3.91	7.98
		60	21.3	3.43	9.89	21.2	3.51	9.93	21.1	3.61	9.99	21.0	3.66	10.02	21.0	3.73	10.06	20.8	3.86	10.15
		96	21.8	3.47	10.6	21.7	3.55	10.7	21.6	3.66	10.7	21.5	3.72	10.7	21.5	3.78	10.8	21.3	3.92	10.9
	20	50	25.1	3.74	13.9	25.0	3.85	14.0	24.8	3.98	14.0	24.7	4.05	14.1	24.5	4.12	14.1	24.0	4.13	14.3
		60	25.3	3.75	14.9	25.1	3.87	14.9	24.9	3.99	15.0	24.8	4.06	15.0	24.7	4.13	15.1	24.0	4.09	15.3
		96	25.7	3.79	16.7	25.5	3.91	16.8	25.3	4.03	16.8	25.2	4.10	16.8	25.1	4.18	16.9	24.0	3.97	17.0
	25	50	27.5	3.96	18.2	27.3	4.08	18.3	27.1	4.22	18.4	26.6	4.16	18.6	25.7	4.34	18.8	24.0	3.54	19.1
		60	27.7	3.98	19.3	27.5	4.10	19.4	27.3	4.23	19.5	26.6	4.11	19.6	25.7	4.30	19.8	24.0	3.50	20.1

# 4 Capacity tables

## 4 - 3 Heating capacity tables

RWEYQ8PY1														TC: Total Capacity: kW ; PI: Power Input: kW (compressor + outdoor fan motor) ; OWT: Outlet Water Temperatur: °C											
Combination (%)	Inlet Water Temp. (°C)	Water Volume L/min	Indoor air temperature: °CDB																						
			16.0			18.0			20.0			21.0			22.0			24.0							
			TC kW	PI kW	OWT °C	TC kW	PI kW	OWT °C	TC kW	PI kW	OWT °C	TC kW	PI kW	OWT °C	TC kW	PI kW	OWT °C	TC kW	PI kW	OWT °C					
100	10	50	13.3	2.06	6.78	13.4	2.01	6.72	13.6	1.98	6.68	13.6	1.97	6.67	13.6	1.97	6.66	13.7	1.99	6.65					
		60	15.5	2.36	6.85	15.6	2.36	6.83	15.6	2.38	6.83	15.6	2.39	6.84	15.6	2.42	6.85	15.6	2.48	6.87					
		96	20.2	3.40	7.49	20.2	3.48	7.51	20.0	3.59	7.54	20.0	3.65	7.56	19.9	3.71	7.58	19.7	3.85	7.63					
		120	21.2	3.61	7.90	21.1	3.71	7.93	20.9	3.83	7.96	20.9	3.89	7.97	20.8	3.96	7.99	20.6	4.11	8.03					
	15	50	21.1	3.57	9.97	21.0	3.67	10.02	20.9	3.78	10.10	20.8	3.84	10.14	20.7	3.91	10.18	20.5	4.06	10.28					
		60	21.7	3.61	10.7	21.5	3.72	10.7	21.4	3.84	10.8	21.3	3.90	10.8	21.2	3.97	10.9	21.0	4.12	11.0					
		96	23.0	3.75	12.1	22.9	3.86	12.2	22.7	3.99	12.2	22.6	4.06	12.2	22.5	4.13	12.3	21.8	4.05	12.4					
		120	23.5	3.80	12.6	23.4	3.91	12.7	23.2	4.04	12.7	23.1	4.11	12.7	23.0	4.18	12.8	21.8	3.91	12.9					
	20	50	24.8	3.92	14.0	24.7	4.05	14.1	24.4	4.18	14.2	24.2	4.19	14.3	23.4	3.98	14.4	21.8	3.57	14.8					
		60	25.0	3.94	15.0	24.8	4.06	15.0	24.6	4.20	15.1	24.2	4.15	15.2	23.4	3.94	15.4	21.8	3.53	15.6					
		96	25.4	3.98	16.8	25.2	4.11	16.8	25.0	4.24	16.9	24.2	4.03	17.0	23.4	3.83	17.1	21.8	3.43	17.3					
		120	25.6	3.99	17.4	25.4	4.12	17.5	25.0	4.20	17.5	24.2	3.99	17.6	23.4	3.79	17.7	21.8	3.40	17.8					
25	50	27.2	4.16	18.4	26.6	4.15	18.6	25.0	3.77	18.9	24.2	3.59	19.1	23.4	3.41	19.3	21.8	3.07	19.6						
	60	27.4	4.18	19.5	26.6	4.11	19.6	25.0	3.73	19.9	24.2	3.55	20.1	23.4	3.37	20.2	21.8	3.04	20.5						
	96	27.8	4.22	21.5	26.6	3.99	21.6	25.0	3.63	21.8	24.2	3.45	21.9	23.4	3.28	22.0	21.8	2.96	22.2						
	120	28.0	4.23	22.2	26.6	3.96	22.3	25.0	3.60	22.4	24.2	3.42	22.5	23.4	3.25	22.6	21.8	2.93	22.7						
30	50	28.2	3.93	23.0	26.6	3.60	23.4	25.0	3.28	23.8	24.2	3.12	24.0	23.4	2.97	24.1	21.8	2.68	24.5						
	60	28.2	3.89	24.2	26.6	3.56	24.5	25.0	3.24	24.8	24.2	3.09	25.0	23.4	2.94	25.1	21.8	2.65	25.4						
	96	28.2	3.78	26.4	26.6	3.46	26.5	25.0	3.15	26.7	24.2	3.01	26.8	23.4	2.86	26.9	21.8	2.59	27.1						
	120	28.2	3.75	27.1	26.6	3.43	27.2	25.0	3.13	27.4	24.2	2.98	27.5	23.4	2.84	27.5	21.8	2.56	27.7						
35	50	28.2	3.45	27.9	26.6	3.16	28.3	25.0	2.88	28.7	24.2	2.75	28.9	23.4	2.62	29.0	21.8	2.37	29.4						
	60	28.2	3.41	29.1	26.6	3.12	29.4	25.0	2.85	29.7	24.2	2.72	29.9	23.4	2.60	30.0	21.8	2.35	30.4						
	96	28.2	3.32	31.3	26.6	3.04	31.5	25.0	2.78	31.7	24.2	2.65	31.8	23.4	2.53	31.9	21.8	2.29	32.1						
	120	28.2	3.29	32.0	26.6	3.02	32.2	25.0	2.76	32.3	24.2	2.63	32.4	23.4	2.51	32.5	21.8	2.28	32.7						
40	50	28.2	3.33	32.9	26.6	3.06	33.3	25.0	2.80	33.6	24.2	2.68	33.8	23.4	2.55	34.0	21.8	2.32	34.4						
	60	28.2	3.29	34.0	26.6	3.03	34.4	25.0	2.77	34.7	24.2	2.65	34.9	23.4	2.53	35.0	21.8	2.29	35.3						
	96	28.2	3.21	36.3	26.6	2.95	36.5	25.0	2.70	36.7	24.2	2.58	36.8	23.4	2.47	36.9	21.8	2.24	37.1						
	120	28.2	3.18	37.0	26.6	2.92	37.2	25.0	2.68	37.3	24.2	2.56	37.4	23.4	2.45	37.5	21.8	2.22	37.7						
45	50	28.2	3.23	37.8	26.6	2.97	38.2	25.0	2.73	38.6	24.2	2.61	38.8	23.4	2.49	39.0	21.8	2.26	39.4						
	60	28.2	3.20	39.0	26.6	2.94	39.3	25.0	2.70	39.7	24.2	2.58	39.8	23.4	2.47	40.0	21.8	2.24	40.3						
	96	28.2	3.11	41.3	26.6	2.87	41.5	25.0	2.63	41.7	24.2	2.52	41.8	23.4	2.40	41.9	21.8	2.18	42.1						
	120	28.2	3.09	42.0	26.6	2.85	42.2	25.0	2.61	42.3	24.2	2.50	42.4	23.4	2.39	42.5	21.8	2.16	42.7						
90	10	50	13.5	1.98	6.69	13.6	1.97	6.66	13.7	1.98	6.65	13.7	1.99	6.65	13.7	2.01	6.66	13.6	2.05	6.68					
		60	15.6	2.37	6.83	15.6	2.40	6.84	15.6	2.45	6.86	15.6	2.48	6.87	15.5	2.52	6.89	15.4	2.60	6.93					
		96	20.1	3.56	7.54	19.9	3.67	7.57	19.8	3.79	7.61	19.7	3.85	7.63	19.6	3.92	7.65	19.4	4.07	7.71					
		120	21.0	3.80	7.95	20.8	3.91	7.98	20.7	4.04	8.01	20.6	4.11	8.03	20.5	4.18	8.05	19.6	4.01	8.14					
	15	50	20.9	3.75	10.08	20.8	3.86	10.15	20.6	3.99	10.23	20.5	4.06	10.28	20.4	4.13	10.3	19.6	3.98	10.5					
		60	21.4	3.81	10.8	21.3	3.92	10.9	21.1	4.05	10.9	21.0	4.12	11.0	20.9	4.20	11.0	19.6	3.82	11.2					
		96	22.8	3.95	12.2	22.6	4.08	12.2	22.4	4.21	12.3	21.8	4.05	12.4	21.1	3.85	12.4	19.6	3.45	12.6					
		120	23.2	4.01	12.7	23.0	4.13	12.7	22.5	4.11	12.8	21.8	3.91	12.9	21.1	3.71	12.9	19.6	3.34	13.1					
	20	50	24.5	4.15	14.2	23.9	4.13	14.3	22.5	3.75	14.6	21.8	3.57	14.8	21.1	3.39	14.9	19.6	3.05	15.3					
		60	24.7	4.16	15.1	23.9	4.08	15.3	22.5	3.71	15.5	21.8	3.53	15.6	21.1	3.35	15.8	19.6	3.02	16.0					
		96	25.1	4.21	16.9	23.9	3.97	17.0	22.5	3.60	17.2	21.8	3.43	17.3	21.1	3.26	17.3	19.6	2.94	17.5					
		120	25.2	4.22	17.5	23.9	3.93	17.6	22.5	3.57	17.7	21.8	3.40	17.8	21.1	3.23	17.9	19.6	2.91	18.0					
25	50	25.4	3.86	18.8	23.9	3.53	19.1	22.5	3.22	19.5	21.8	3.07	19.6	21.1	2.92	19.8	19.6	2.64	20.1						
	60	25.4	3.82	19.8	23.9	3.49	20.1	22.5	3.18	20.4	21.8	3.03	20.5	21.1	2.89	20.7	19.6	2.61	20.9						
	96	25.4	3.71	21.8	23.9	3.40	21.9	22.5	3.10	22.1	21.8	2.95	22.2	21.1	2.81	22.3	19.6	2.54	22.5						
	120	25.4	3.68	22.4	23.9	3.37	22.5	22.5	3.07	22.7	21.8	2.93	22.7	21.1	2.79	22.8	19.6	2.52	23.0						
30	50	25.4	3.35	23.7	23.9	3.07	24.0	22.5	2.81	24.4	21.8	2.68	24.5	21.1	2.55	24.7	19.6	2.32	25.0						
	60	25.4	3.32	24.7	23.9	3.04	25.0	22.5	2.78	25.3	21.8	2.65	25.4	21.1	2.53	25.6	19.6	2.29	25.9						
	96	25.4	3.23	26.7	23.9	2.96	26.9	22.5	2.71	27.0	21.8	2.58	27.1	21.1	2.47	27.2	19.6	2.24	27.4						
	120	25.4	3.20	27.4	23.9	2.94	27.5	22.5	2.68	27.6	21.8	2.56	27.7	21.1	2.45	27.8	19.6	2.22	27.9						
35	50	25.4	2.95	28.6	23.9	2.71	28.9	22.5	2.48	29.3	21.8	2.37	29.4	21.1	2.27	29.6	19.6	2.06	30.0						
	60	25.4	2.92	29.6	23.9	2.68	29.9	22.5	2.46	30.2	21.8	2.35	30.4	21.1	2.24	30.5	19.6	2.04	30.8						
	96	25.4	2.84	31.6	23.9	2.61	31.8	22.5	2.40	32.0	21.8	2.29	32.1	21.1	2.19	32.2	19.6	1.99	32.4						
	120	25.4	2.82	32.3	23.9	2.59	32.5	22.5	2.38	32.6	21.8	2.27	32.7	21.1	2.17	32.7	19.6	1.98	32.9						
40	50	25.4	2.86	33.5	23.9	2.64	33.9	22.5	2.42	34.2	21.8	2.31	34.4	21.1	2.21	34.6	19.6	2.01	35.0						
	60	25.4	2.83	34.6	23.9	2.61	34.9	22.5	2.40	35.2	21.8	2.29	35.3	21.1	2.19	35.5	19.6	1.99	35.8						
	96	25.4	2.76	36.6	23.9	2.55	36.8	22.5	2.34	37.0	21.8	2.23	37.1	21.1	2.14	37.2	19.6	1.94	37.4						
	120	25.4	2.74	37.3	23.9	2.53	37.4	22.5	2.32	37.6</															

# 4 Capacity tables

## 4 - 3 Heating capacity tables

### RWEYQ8PY1

TC: Total Capacity: kW ; PI: Power Input: kW (compressor + outdoor fan motor) ; OWT: Outlet Water Temperatur: °C

Combination (%)	Inlet Water Temp. (°C)	Water Volume L/min	Indoor air temperature: °CDB																	
			16.0			18.0			20.0			21.0			22.0			24.0		
			TC kW	PI kW	OWT °C	TC kW	PI kW	OWT °C	TC kW	PI kW	OWT °C	TC kW	PI kW	OWT °C	TC kW	PI kW	OWT °C	TC kW	PI kW	OWT °C
70	10	50	13.6	2.05	6.68	13.6	2.09	6.71	13.5	2.15	6.74	13.5	2.19	6.76	13.4	2.22	6.79	13.3	2.31	6.84
		60	15.5	2.59	6.93	15.4	2.67	6.97	15.3	2.75	7.01	15.2	2.80	7.04	15.1	2.85	7.07	15.0	2.96	7.13
		96	19.5	4.05	7.70	18.6	3.84	7.79	17.5	3.49	7.91	16.9	3.32	7.97	16.4	3.16	8.03	15.3	2.84	8.15
		120	19.8	4.05	8.13	18.6	3.70	8.22	17.5	3.37	8.31	16.9	3.21	8.36	16.4	3.05	8.41	15.3	2.75	8.51
	15	50	19.8	4.02	10.49	18.6	3.68	10.7	17.5	3.35	10.9	16.9	3.19	11.1	16.4	3.03	11.2	15.3	2.73	11.4
		60	19.8	3.86	11.2	18.6	3.53	11.4	17.5	3.22	11.6	16.9	3.06	11.7	16.4	2.92	11.8	15.3	2.63	12.0
		96	19.8	3.49	12.6	18.6	3.19	12.7	17.5	2.92	12.8	16.9	2.78	12.9	16.4	2.65	13.0	15.3	2.40	13.1
		120	19.8	3.37	13.0	18.6	3.09	13.1	17.5	2.82	13.2	16.9	2.69	13.3	16.4	2.57	13.4	15.3	2.32	13.5
	20	50	19.8	3.08	15.2	18.6	2.83	15.5	17.5	2.59	15.7	16.9	2.47	15.9	16.4	2.36	16.0	15.3	2.14	16.2
		60	19.8	3.05	16.0	18.6	2.80	16.2	17.5	2.56	16.4	16.9	2.45	16.5	16.4	2.34	16.6	15.3	2.12	16.9
		96	19.8	2.97	17.5	18.6	2.73	17.6	17.5	2.50	17.8	16.9	2.39	17.8	16.4	2.28	17.9	15.3	2.07	18.0
		120	19.8	2.94	18.0	18.6	2.70	18.1	17.5	2.48	18.2	16.9	2.37	18.3	16.4	2.26	18.3	15.3	2.05	18.4
25	50	19.8	2.66	20.1	18.6	2.45	20.4	17.5	2.25	20.6	16.9	2.15	20.8	16.4	2.06	20.9	15.3	1.88	21.2	
	60	19.8	2.64	20.9	18.6	2.43	21.1	17.5	2.23	21.4	16.9	2.13	21.5	16.4	2.04	21.6	15.3	1.86	21.8	
	96	19.8	2.57	22.4	18.6	2.37	22.6	17.5	2.17	22.7	16.9	2.08	22.8	16.4	1.99	22.9	15.3	1.82	23.0	
	120	19.8	2.55	22.9	18.6	2.35	23.1	17.5	2.16	23.2	16.9	2.07	23.2	16.4	1.98	23.3	15.3	1.80	23.4	
30	50	19.8	2.34	25.0	18.6	2.16	25.3	17.5	1.99	25.6	16.9	1.91	25.7	16.4	1.83	25.8	15.3	1.67	26.1	
	60	19.8	2.31	25.8	18.6	2.14	26.1	17.5	1.97	26.3	16.9	1.89	26.4	16.4	1.81	26.5	15.3	1.66	26.8	
	96	19.8	2.26	27.4	18.6	2.09	27.5	17.5	1.92	27.7	16.9	1.85	27.7	16.4	1.77	27.8	15.3	1.62	28.0	
	120	19.8	2.24	27.9	18.6	2.07	28.0	17.5	1.91	28.1	16.9	1.83	28.2	16.4	1.76	28.3	15.3	1.61	28.4	
35	50	19.8	2.08	29.9	18.6	1.93	30.2	17.5	1.78	30.5	16.9	1.71	30.6	16.4	1.64	30.8	15.3	1.51	31.1	
	60	19.8	2.06	30.8	18.6	1.91	31.0	17.5	1.76	31.2	16.9	1.69	31.4	16.4	1.63	31.5	15.3	1.49	31.7	
	96	19.8	2.01	32.4	18.6	1.87	32.5	17.5	1.72	32.6	16.9	1.66	32.7	16.4	1.59	32.8	15.3	1.46	32.9	
	120	19.8	2.00	32.9	18.6	1.85	33.0	17.5	1.71	33.1	16.9	1.65	33.2	16.4	1.58	33.2	15.3	1.45	33.4	
40	50	19.8	2.03	34.9	18.6	1.88	35.2	17.5	1.74	35.5	16.9	1.67	35.6	16.4	1.60	35.8	15.3	1.47	36.1	
	60	19.8	2.01	35.8	18.6	1.86	36.0	17.5	1.72	36.2	16.9	1.65	36.3	16.4	1.59	36.5	15.3	1.46	36.7	
	96	19.8	1.96	37.3	18.6	1.82	37.5	17.5	1.68	37.6	16.9	1.62	37.7	16.4	1.55	37.8	15.3	1.43	37.9	
	120	19.8	1.95	37.9	18.6	1.80	38.0	17.5	1.67	38.1	16.9	1.60	38.2	16.4	1.54	38.2	15.3	1.42	38.3	
45	50	19.8	1.98	39.9	18.6	1.83	40.2	17.5	1.69	40.5	16.9	1.63	40.6	16.4	1.56	40.8	15.3	1.43	41.0	
	60	19.8	1.96	40.8	18.6	1.82	41.0	17.5	1.68	41.2	16.9	1.61	41.3	16.4	1.55	41.5	15.3	1.42	41.7	
	96	19.8	1.91	42.3	18.6	1.77	42.5	17.5	1.64	42.6	16.9	1.58	42.7	16.4	1.51	42.8	15.3	1.39	42.9	
	120	19.8	1.90	42.9	18.6	1.76	43.0	17.5	1.63	43.1	16.9	1.56	43.2	16.4	1.50	43.2	15.3	1.38	43.3	
60	10	50	13.5	2.19	6.76	13.4	2.25	6.81	13.3	2.33	6.86	13.2	2.37	6.88	13.2	2.41	6.91	13.1	2.50	6.98
		60	15.2	2.80	7.04	15.1	2.89	7.09	14.9	2.98	7.14	14.5	2.86	7.22	14.0	2.72	7.30	13.1	2.44	7.46
		96	16.9	3.32	7.97	16.0	3.04	8.07	15.0	2.77	8.17	14.5	2.65	8.23	14.0	2.52	8.28	13.1	2.28	8.39
		120	16.9	3.21	8.36	16.0	2.94	8.44	15.0	2.69	8.53	14.5	2.57	8.57	14.0	2.45	8.62	13.1	2.22	8.70
	15	50	16.9	3.18	11.06	16.0	2.92	11.3	15.0	2.67	11.5	14.5	2.55	11.6	14.0	2.43	11.7	13.1	2.21	11.9
		60	16.9	3.06	11.7	16.0	2.81	11.9	15.0	2.57	12.0	14.5	2.46	12.1	14.0	2.34	12.2	13.1	2.13	12.4
		96	16.9	2.78	12.9	16.0	2.56	13.0	15.0	2.34	13.1	14.5	2.24	13.2	14.0	2.14	13.2	13.1	1.95	13.3
		120	16.9	2.69	13.3	16.0	2.48	13.4	15.0	2.27	13.5	14.5	2.17	13.5	14.0	2.08	13.6	13.1	1.89	13.7
	20	50	16.9	2.47	15.9	16.0	2.28	16.1	15.0	2.10	16.3	14.5	2.01	16.4	14.0	1.92	16.5	13.1	1.75	16.8
		60	16.9	2.45	16.5	16.0	2.26	16.7	15.0	2.08	16.9	14.5	1.99	17.0	14.0	1.90	17.1	13.1	1.74	17.3
		96	16.9	2.38	17.8	16.0	2.20	17.9	15.0	2.03	18.1	14.5	1.94	18.1	14.0	1.86	18.2	13.1	1.70	18.3
		120	16.9	2.37	18.3	16.0	2.18	18.4	15.0	2.01	18.4	14.5	1.93	18.5	14.0	1.84	18.5	13.1	1.69	18.6
25	50	16.9	2.15	20.8	16.0	1.99	21.0	15.0	1.84	21.2	14.5	1.76	21.3	14.0	1.69	21.5	13.1	1.55	21.7	
	60	16.9	2.13	21.5	16.0	1.97	21.7	15.0	1.82	21.9	14.5	1.75	22.0	14.0	1.68	22.0	13.1	1.54	22.2	
	96	16.9	2.08	22.8	16.0	1.93	22.9	15.0	1.78	23.0	14.5	1.71	23.1	14.0	1.64	23.2	13.1	1.51	23.3	
	120	16.9	2.06	23.2	16.0	1.91	23.3	15.0	1.77	23.4	14.5	1.70	23.5	14.0	1.63	23.5	13.1	1.49	23.6	
30	50	16.9	1.90	25.7	16.0	1.77	25.9	15.0	1.64	26.2	14.5	1.57	26.3	14.0	1.51	26.4	13.1	1.39	26.7	
	60	16.9	1.89	26.4	16.0	1.75	26.6	15.0	1.62	26.8	14.5	1.56	26.9	14.0	1.50	27.0	13.1	1.38	27.2	
	96	16.9	1.84	27.7	16.0	1.71	27.9	15.0	1.59	28.0	14.5	1.53	28.1	14.0	1.47	28.1	13.1	1.35	28.3	
	120	16.9	1.83	28.2	16.0	1.70	28.3	15.0	1.58	28.4	14.5	1.52	28.4	14.0	1.46	28.5	13.1	1.34	28.6	
35	50	16.9	1.71	30.6	16.0	1.59	30.9	15.0	1.48	31.1	14.5	1.42	31.2	14.0	1.37	31.4	13.1	1.27	31.6	
	60	16.9	1.69	31.4	16.0	1.58	31.6	15.0	1.47	31.8	14.5	1.41	31.9	14.0	1.36	32.0	13.1	1.26	32.2	
	96	16.9	1.66	32.7	16.0	1.54	32.8	15.0	1.44	33.0	14.5	1.38	33.0	14.0	1.33	33.1	13.1	1.23	33.2	
	120	16.9	1.64	33.2	16.0	1.53	33.3	15.0	1.43	33.4	14.5	1.37	33.4	14.0	1.32	33.5	13.1	1.23	33.6	
40	50	16.9	1.67	35.6	16.0	1.55	35.9	15.0	1.44	36.1	14.5	1.39	36.2	14.0	1.34	36.4	13.1	1.24	36.6	
	60	16.9	1.65	36.4	16.0	1.54	36.6	15.0	1.43	36.8	14.5	1.38	36.9	14.0	1.33	37.0	13.1	1.23	37.2	
	96	16.9	1.61	37.7	16.0	1.50	37.8	15.0	1.40	38.0	14.5	1.35	38.0	14.0	1.30	38.1	13.1	1.20	38.2	
	120	16.9	1.60	38.2	16.0	1.49</														



# 4 Capacity tables

## 4 - 3 Heating capacity tables

RWEYQ10PY1													TC: Total Capacity: kW ; PI: Power Input: kW (compressor + outdoor fan motor) ; OWT: Outlet Water Temperatur: °C											
Combination (%)	Inlet Water Temp. (°C)	Water Volume L/min	Indoor air temperature: °CDB																					
			16.0			18.0			20.0			21.0			22.0			24.0						
			TC	PI	OWT	TC	PI	OWT	TC	PI	OWT	TC	PI	OWT	TC	PI	OWT	TC	PI	OWT				
130	10	50	14.8	3.90	6.88	15.4	3.58	6.61	15.9	3.31	6.38	16.2	3.20	6.28	16.4	3.10	6.19	16.7	2.95	6.05				
		60	18.4	3.89	6.54	18.8	3.68	6.39	19.1	3.53	6.27	19.3	3.47	6.22	19.4	3.42	6.18	19.6	3.37	6.13				
		96	25.5	4.61	6.89	25.6	4.60	6.87	25.6	4.64	6.87	25.6	4.67	6.87	25.6	4.72	6.88	25.5	4.84	6.91				
		120	26.8	4.78	7.37	26.9	4.81	7.36	26.9	4.88	7.37	26.9	4.93	7.38	26.8	4.99	7.39	26.7	5.14	7.43				
	15	50	26.8	4.73	8.69	26.8	4.76	8.68	26.8	4.83	8.70	26.8	4.88	8.72	26.8	4.93	8.75	26.6	5.08	8.82				
		60	27.5	4.74	9.56	27.6	4.79	9.56	27.5	4.87	9.59	27.5	4.93	9.61	27.4	4.99	9.64	27.3	5.15	9.71				
		96	29.5	4.81	11.3	29.5	4.89	11.3	29.4	5.01	11.4	29.3	5.08	11.4	29.2	5.16	11.4	29.0	5.33	11.5				
		120	30.2	4.85	12.0	30.2	4.94	12.0	30.0	5.06	12.0	30.0	5.14	12.0	29.9	5.22	12.1	29.7	5.41	12.1				
	20	50	32.1	4.95	12.2	32.0	5.07	12.3	31.8	5.22	12.4	31.7	5.30	12.4	31.6	5.39	12.5	31.3	5.59	12.6				
		60	32.3	4.97	13.5	32.2	5.09	13.5	32.0	5.24	13.6	31.9	5.32	13.7	31.8	5.41	13.7	31.5	5.61	13.8				
		96	32.9	5.01	15.8	32.7	5.13	15.7	32.6	5.29	15.9	32.4	5.37	16.0	32.3	5.46	16.0	32.0	5.67	16.1				
		120	33.1	5.02	16.7	32.9	5.15	16.7	32.7	5.30	16.7	32.6	5.39	16.7	32.5	5.48	16.8	32.2	5.69	16.8				
25	50	35.3	5.20	16.4	35.1	5.34	16.5	34.9	5.52	16.6	34.8	5.61	16.6	34.6	5.71	16.7	34.3	5.93	16.9					
	60	35.6	5.22	17.8	35.4	5.37	17.8	35.1	5.54	17.9	35.0	5.63	18.0	34.8	5.73	18.1	34.5	5.95	18.2					
	96	36.2	5.26	20.4	36.0	5.42	20.4	35.7	5.59	20.5	35.6	5.69	20.5	35.4	5.79	20.6	35.1	6.01	20.7					
	120	36.4	5.28	21.3	36.2	5.44	21.3	35.9	5.61	21.4	35.7	5.71	21.4	35.6	5.81	21.4	35.2	6.03	21.5					
30	50	38.5	5.47	20.5	38.3	5.64	20.6	38.0	5.83	20.8	37.8	5.93	20.9	37.6	6.03	20.9	37.5	6.25	21.4					
	60	38.8	5.50	22.0	38.5	5.66	22.2	38.2	5.85	22.3	38.0	5.95	22.3	37.9	6.06	22.4	37.7	6.28	21.8					
	96	39.4	5.55	24.9	39.2	5.72	25.0	38.8	5.91	25.1	38.7	6.01	25.1	38.3	6.06	25.2	37.7	6.30	22.5					
	120	39.7	5.57	25.9	39.4	5.74	26.0	39.0	5.93	26.0	38.9	6.03	26.1	38.3	6.00	26.1	37.7	6.30	22.5					
35	50	41.7	5.77	24.7	41.4	5.95	24.8	41.0	6.11	25.0	40.6	6.28	25.3	40.3	6.35	25.3	40.0	6.57	26.2					
	60	42.0	5.79	26.3	41.7	5.97	26.5	41.0	6.04	26.7	40.6	6.28	26.9	40.3	6.35	27.1	39.7	6.57	26.6					
	96	42.7	5.85	29.5	42.4	6.03	29.6	41.0	5.87	29.8	40.6	5.98	29.9	40.3	6.03	30.0	39.7	6.57	27.6					
	120	42.9	5.87	30.6	42.6	6.05	30.6	41.0	5.81	30.8	40.6	5.93	30.9	40.3	6.03	31.1	39.7	6.57	27.6					
40	50	44.9	6.07	28.9	43.6	6.33	29.2	41.0	6.49	29.5	40.6	6.66	30.2	40.3	6.73	30.5	40.0	6.93	31.1					
	60	45.2	6.09	30.7	43.6	6.33	31.0	41.0	6.30	31.6	40.6	6.47	31.9	40.3	6.52	32.1	39.7	6.93	31.1					
	96	46.0	6.15	34.1	43.6	6.33	34.3	41.0	5.64	34.7	40.6	5.73	34.9	40.3	5.82	35.1	39.7	7.11	32.6					
	120	46.2	6.17	35.2	43.6	6.33	35.5	41.0	5.59	35.8	40.6	5.68	35.9	40.3	5.78	36.0	39.7	7.11	32.6					
45	50	46.2	6.02	33.5	43.6	6.33	34.2	41.0	5.66	34.9	40.6	5.73	35.2	40.3	5.82	35.5	39.7	7.11	32.6					
	60	46.2	5.96	35.4	43.6	6.33	36.0	41.0	5.60	36.6	40.6	5.73	36.8	40.3	5.82	37.1	39.7	7.11	32.6					
	96	46.2	5.79	39.0	43.6	6.33	39.3	41.0	5.45	39.7	40.6	5.59	39.9	40.3	5.68	40.0	39.7	7.11	32.6					
	120	46.2	5.74	40.2	43.6	6.33	40.5	41.0	5.40	40.8	40.6	5.54	40.9	40.3	5.63	41.0	39.7	7.11	32.6					
120	10	50	15.6	3.48	6.52	16.1	3.25	6.32	16.5	3.07	6.16	16.6	2.99	6.09	16.8	2.93	6.04	17.0	2.85	5.95				
		60	18.9	3.62	6.35	19.2	3.49	6.24	19.4	3.41	6.17	19.5	3.38	6.14	19.6	3.37	6.12	19.7	3.37	6.10				
		96	25.6	4.61	6.87	25.6	4.66	6.87	25.6	4.74	6.89	25.5	4.79	6.90	25.5	4.86	6.92	25.4	5.01	6.96				
		120	26.9	4.83	7.37	26.9	4.91	7.38	26.8	5.02	7.40	26.7	5.08	7.41	26.7	5.16	7.43	26.5	5.34	7.47				
	15	50	26.8	4.78	8.68	26.8	4.85	8.71	26.7	4.96	8.76	26.7	5.03	8.79	26.6	5.10	8.83	26.4	5.27	8.93				
		60	27.6	4.81	9.57	27.5	4.90	9.60	27.4	5.02	9.65	27.4	5.09	9.68	27.3	5.17	9.72	27.1	5.35	9.81				
		96	29.5	4.93	11.3	29.4	5.05	11.4	29.2	5.19	11.4	29.1	5.27	11.4	29.0	5.36	11.5	28.8	5.56	11.5				
		120	30.1	4.98	12.0	30.0	5.10	12.0	29.8	5.25	12.1	29.7	5.34	12.1	29.6	5.43	12.1	29.4	5.63	12.2				
	20	50	31.9	5.12	12.3	31.7	5.26	12.4	31.5	5.43	12.5	31.4	5.52	12.6	31.3	5.61	12.6	31.0	5.83	12.8				
		60	32.1	5.14	13.6	32.0	5.28	13.6	31.7	5.45	13.7	31.6	5.54	13.8	31.5	5.64	13.8	31.2	5.85	13.9				
		96	32.7	5.18	15.9	32.5	5.33	15.9	32.3	5.50	16.0	32.1	5.60	16.0	32.0	5.70	16.1	31.7	5.91	16.2				
		120	32.9	5.20	16.7	32.7	5.35	16.7	32.4	5.52	16.8	32.3	5.61	16.8	32.2	5.71	16.8	31.9	5.93	16.9				
25	50	35.1	5.40	16.5	34.8	5.57	16.6	34.5	5.75	16.7	34.4	5.85	16.8	34.2	5.95	16.9	32.9	5.77	17.2					
	60	35.3	5.42	17.9	35.0	5.59	18.0	34.8	5.77	18.1	34.6	5.87	18.1	34.5	5.98	18.2	32.9	5.70	18.5					
	96	35.9	5.48	20.5	35.6	5.65	20.5	35.3	5.83	20.6	35.2	5.93	20.6	35.0	6.04	20.7	32.9	5.54	20.9					
	120	36.1	5.50	21.3	35.8	5.67	21.4	35.5	5.85	21.5	35.4	5.95	21.5	35.2	6.06	21.5	32.9	5.49	21.7					
30	50	38.2	5.71	20.7	37.9	5.88	20.8	37.6	6.08	21.0	37.6	6.17	21.2	37.4	6.27	21.5	32.9	5.00	22.0					
	60	38.4	5.73	22.2	38.1	5.91	22.3	37.8	6.10	22.4	37.8	6.20	22.6	37.4	6.29	22.9	32.9	4.94	23.3					
	96	39.1	5.79	25.0	38.7	5.97	25.1	37.8	5.93	25.2	37.6	6.04	25.4	37.4	6.15	25.5	32.9	4.81	25.8					
	120	39.3	5.81	26.0	38.9	5.99	26.1	37.8	5.88	26.2	37.6	5.99	26.3	37.4	6.10	26.4	32.9	4.77	26.6					
35	50	41.3	6.01	24.9	40.2	5.94	25.2	37.8	6.40	25.7	37.6	6.53	26.0	37.4	6.66	26.3	32.9	4.39	26.8					
	60	41.6	6.04	26.5	40.2	5.97	26.8	37.8	6.30	27.2	37.6	6.40	27.5	37.4	6.53	27.7	32.9	4.35	28.2					
	96	42.2	6.10	29.6	40.2	5.71	29.8	37.8	5.19	30.1	37.6	5.28	30.3	37.4	5.35	30.4	32.9	4.23	30.7					
	120	42.4	6.12	30.7	40.2	5.66	30.9	37.8	5.14	31.1	37.6	5.21	31.2	37.4	5.28	31.3	32.9	4.19	31.6					
40	50	42.7	5.73	29.4	40.2	5.71	30.1	37.8	5.20	30.7	37.6	5.28	30.9	37.4	5.35	31.2	32.9	4.26	31.8					
	60	42.7	5.67	31.2	40.2	5.65	31.7	37.8	5.15	32.2	37.6	5.23	32.4	37.4	5.30	32.7	32.9	4.21	33.1					
	96	42.7	5.51	34.5	40.2	5.50	34.8	37.8	5.01	35.1	37.6	5.07	35.3	37.4	5.14	35.4	32.9	4.10	35.7					
	120	42.7	5.46	35.6	40.2	5.45	35.8	37.8	4.96	36.1	37.6	5.02	36.2	37.4	5.09	36.3	32.9	4.07	36.6					
45	50	42.7	5.59	34.4	40.2	5.51	35.0	37.8	5.03	35.6	37.6	5.09	35.9	37.4	5.16	36.2	32.9	4.14	36.7					
	60	42.7	5.53	36.1	40.2	5.46	36.7	37.8	4.98	37.2	37.6	5.04	37.4	37.4	5.11	37.5	32.9	4.10	38.1					
	96	42.7	5.37	39.4	40.2	5.31	39.8	37.8	4.85	40.1	37.6	4.92	40.2	37.4	4.99	40.4	32.9	4.00	40.7					
	120	42.7	5.32	40.5	40.2	5.26	40.8	37.8	4.81	41.1	37.6	4.88	41.2	37.4	4.96	41.3	32.9	3.97	41.5					
110	10	50	16.3	3.16	6.24	16.6	3.01	6.11	16.8	2.90	6.00	16.9	2.87	5.96	17.0	2.84	5.93	17.2	2.81	5.89				
		60	19.3	3.45	6.21	19.5	3.39	6.15	19.6	3.36	6.11	19.7	3.3											

# 4 Capacity tables

## 4 - 3 Heating capacity tables

### RWEYQ10PY1

TC: Total Capacity: kW ; PI: Power Input: kW (compressor + outdoor fan motor) ; OWT: Outlet Water Temperatur: °C

Combination (%)	Inlet Water Temp. (°C)	Water Volume L/min	Indoor air temperature: °CDB																	
			16.0			18.0			20.0			21.0			22.0			24.0		
			TC kW	PI kW	OWT °C	TC kW	PI kW	OWT °C	TC kW	PI kW	OWT °C	TC kW	PI kW	OWT °C	TC kW	PI kW	OWT °C	TC kW	PI kW	OWT °C
100	10	50	16.7	2.94	6.04	16.9	2.87	5.96	17.1	2.82	5.91	17.1	2.81	5.89	17.2	2.81	5.88	17.2	2.84	5.88
		60	19.6	3.37	6.12	19.7	3.36	6.10	19.7	3.39	6.10	19.7	3.42	6.11	19.7	3.45	6.12	19.6	3.54	6.16
		96	25.5	4.85	6.92	25.4	4.97	6.95	25.2	5.12	7.00	25.2	5.21	7.02	25.1	5.30	7.05	24.8	5.50	7.11
	15	50	26.6	5.09	8.83	26.5	5.23	8.91	26.3	5.39	9.00	26.2	5.49	9.06	26.1	5.58	9.12	25.9	5.79	9.25
		60	27.3	5.16	9.71	27.1	5.30	9.78	27.0	5.47	9.87	26.8	5.57	9.92	26.7	5.67	9.97	26.5	5.88	10.08
		96	29.0	5.35	11.5	28.8	5.51	11.5	28.6	5.69	11.6	28.5	5.79	11.6	28.4	5.89	11.6	27.5	5.78	11.8
	20	50	31.3	5.60	12.6	31.1	5.77	12.7	30.8	5.96	12.9	30.5	5.98	13.0	29.5	5.68	13.2	27.5	5.09	13.6
		60	31.5	5.62	13.8	31.3	5.80	13.9	31.0	5.99	14.0	30.5	5.92	14.1	29.5	5.62	14.3	27.5	5.04	14.6
		96	32.0	5.68	16.1	31.8	5.86	16.1	31.5	6.05	16.2	30.5	5.75	16.3	29.5	5.46	16.4	27.5	4.90	16.6
	25	50	34.3	5.94	16.9	33.5	5.93	17.1	31.5	5.38	17.5	30.5	5.12	17.7	29.5	4.87	17.9	27.5	4.38	18.4
		60	34.5	5.96	18.2	33.5	5.86	18.4	31.5	5.32	18.7	30.5	5.07	18.9	29.5	4.81	19.1	27.5	4.33	19.5
		96	35.0	6.02	20.7	33.5	5.70	20.8	31.5	5.18	21.1	30.5	4.93	21.2	29.5	4.68	21.3	27.5	4.22	21.5
30	50	35.5	5.61	21.4	33.5	5.13	21.9	31.5	4.67	22.3	30.5	4.45	22.5	29.5	4.24	22.8	27.5	3.83	23.2	
	60	35.5	5.55	22.8	33.5	5.08	23.2	31.5	4.62	23.6	30.5	4.41	23.8	29.5	4.19	24.0	27.5	3.79	24.3	
	96	35.5	5.40	25.5	33.5	4.94	25.7	31.5	4.50	26.0	30.5	4.29	26.1	29.5	4.08	26.2	27.5	3.69	26.5	
35	50	35.5	4.92	26.2	33.5	4.51	26.7	31.5	4.11	27.2	30.5	3.93	27.4	29.5	3.75	27.6	27.5	3.39	28.1	
	60	35.5	4.86	27.7	33.5	4.46	28.1	31.5	4.07	28.4	30.5	3.89	28.6	29.5	3.70	28.8	27.5	3.36	29.2	
	96	35.5	4.73	30.4	33.5	4.34	30.6	31.5	3.97	30.9	30.5	3.79	31.0	29.5	3.61	31.1	27.5	3.27	31.4	
40	50	35.5	4.69	31.3	33.5	4.30	31.5	31.5	3.93	31.7	30.5	3.75	31.8	29.5	3.58	31.9	27.5	3.25	32.1	
	60	35.5	4.75	31.2	33.5	4.36	31.6	31.5	3.99	32.1	30.5	3.82	32.4	29.5	3.64	32.6	27.5	3.30	33.1	
	96	35.5	4.58	35.4	33.5	4.21	35.6	31.5	3.86	35.9	30.5	3.69	36.0	29.5	3.52	36.1	27.5	3.19	36.4	
45	50	35.5	4.54	36.3	33.5	4.17	36.5	31.5	3.82	36.7	30.5	3.66	36.8	29.5	3.49	36.9	27.5	3.17	37.1	
	60	35.5	4.61	36.1	33.5	4.24	36.6	31.5	3.89	37.1	30.5	3.72	37.3	29.5	3.55	37.6	27.5	3.22	38.1	
	96	35.5	4.56	37.6	33.5	4.20	38.0	31.5	3.86	38.4	30.5	3.68	38.6	29.5	3.52	38.8	27.5	3.19	39.2	
90	10	50	17.1	2.83	5.92	17.2	2.81	5.89	17.2	2.82	5.88	17.2	2.84	5.88	17.2	2.86	5.89	17.2	2.93	5.92
		60	19.7	3.38	6.10	19.7	3.43	6.11	19.7	3.50	6.14	19.6	3.54	6.16	19.6	3.59	6.18	19.5	3.71	6.24
		96	25.3	5.08	6.98	25.1	5.23	7.03	24.9	5.40	7.08	24.8	5.50	7.11	24.7	5.59	7.14	24.5	5.81	7.21
	15	50	26.4	5.42	7.49	26.2	5.58	7.53	26.0	5.77	7.58	25.9	5.86	7.60	25.8	5.97	7.63	24.7	5.72	7.73
		60	26.4	5.35	8.98	26.2	5.51	9.08	26.0	5.70	9.19	25.9	5.79	9.25	25.7	5.90	9.3	24.7	5.68	9.5
		96	27.0	5.43	9.85	26.8	5.60	9.93	26.6	5.78	10.03	26.5	5.88	10.08	26.3	5.99	10.1	24.7	5.45	10.4
	20	50	28.7	5.64	11.6	28.5	5.82	11.6	28.2	6.01	11.7	27.4	5.78	11.8	27.4	5.89	11.9	24.7	4.92	12.0
		60	29.3	5.72	12.2	29.0	5.90	12.2	28.4	5.87	12.3	27.4	5.58	12.4	26.5	5.30	12.5	24.7	4.76	12.6
		96	30.9	5.92	12.8	30.2	5.89	13.0	28.4	5.35	13.4	27.4	5.09	13.6	26.5	4.84	13.8	24.7	4.35	14.2
	25	50	31.1	5.94	14.0	30.2	5.82	14.2	28.4	5.29	14.5	27.4	5.03	14.6	26.5	4.78	14.8	24.7	4.31	15.1
		60	31.6	6.00	16.2	30.2	5.66	16.3	28.4	5.14	16.5	27.4	4.90	16.6	26.5	4.65	16.7	24.7	4.19	16.9
		96	31.7	6.02	16.9	30.2	5.61	17.1	28.4	5.10	17.2	27.4	4.85	17.3	26.5	4.61	17.4	24.7	4.16	17.5
30	50	32.0	5.51	17.4	30.2	5.04	17.8	28.4	4.59	18.2	27.4	4.38	18.4	26.5	4.17	18.6	24.7	3.76	19.0	
	60	32.0	5.45	18.7	30.2	4.99	19.0	28.4	4.54	19.3	27.4	4.33	19.5	26.5	4.12	19.6	24.7	3.72	20.0	
	96	32.0	5.30	21.0	30.2	4.85	21.2	28.4	4.42	21.4	27.4	4.22	21.5	26.5	4.01	21.6	24.7	3.63	21.9	
35	50	32.0	5.25	21.8	30.2	4.81	22.0	28.4	4.38	22.1	27.4	4.18	22.2	26.5	3.98	22.3	24.7	3.60	22.5	
	60	32.0	4.78	22.2	30.2	4.39	22.6	28.4	4.01	23.0	27.4	3.82	23.2	26.5	3.65	23.4	24.7	3.30	23.9	
	96	32.0	4.73	23.5	30.2	4.34	23.8	28.4	3.97	24.2	27.4	3.78	24.4	26.5	3.61	24.5	24.7	3.27	24.9	
40	50	32.0	4.60	25.9	30.2	4.22	26.1	28.4	3.86	26.3	27.4	3.69	26.5	26.5	3.52	26.6	24.7	3.19	26.8	
	60	32.0	4.56	26.7	30.2	4.19	26.9	28.4	3.83	27.1	27.4	3.66	27.2	26.5	3.49	27.2	24.7	3.17	27.4	
	96	32.0	4.21	27.0	30.2	3.87	27.5	28.4	3.54	27.9	27.4	3.39	28.1	26.5	3.23	28.3	24.7	2.94	28.8	
45	50	32.0	4.16	28.4	30.2	3.83	28.7	28.4	3.51	29.1	27.4	3.35	29.2	26.5	3.20	29.4	24.7	2.91	29.8	
	60	32.0	4.06	30.8	30.2	3.73	31.1	28.4	3.42	31.3	27.4	3.27	31.4	26.5	3.12	31.5	24.7	2.84	31.7	
	96	32.0	4.02	31.7	30.2	3.70	31.8	28.4	3.39	32.0	27.4	3.24	32.1	26.5	3.10	32.2	24.7	2.82	32.4	
80	10	50	32.0	4.08	32.0	3.76	32.4	28.4	3.45	32.9	27.4	3.30	33.1	26.5	3.15	33.3	24.7	2.87	33.7	
		60	32.0	4.04	33.3	30.2	3.73	33.7	28.4	3.42	34.0	27.4	3.27	34.2	26.5	3.12	34.4	24.7	2.84	34.8
		96	32.0	3.94	35.8	30.2	3.63	36.0	28.4	3.33	36.3	27.4	3.19	36.4	26.5	3.05	36.5	24.7	2.77	36.7
	15	50	32.0	3.91	36.6	30.2	3.60	36.8	28.4	3.31	37.0	27.4	3.16	37.1	26.5	3.02	37.2	24.7	2.75	37.4
		60	32.0	3.98	37.0	30.2	3.67	37.4	28.4	3.37	37.8	27.4	3.22	38.1	26.5	3.07	38.3	24.7	2.80	38.7
		96	32.0	3.94	38.3	30.2	3.63	38.7	28.4	3.33	39.0	27.4	3.19	39.2	26.5	3.04	39.4	24.7	2.77	39.8
	20	50	32.0	3.84	40.8	30.2	3.54	41.0	28.4	3.25	41.3	27.4	3.11	41.4	26.5	2.97	41.5	24.7	2.70	41.7
		60	32.0	3.49	41.6	30.2	3.51	41.8	28.4	3.22	42.0	27.4	3.08	42.1	26.5	2.95	42.2	24.7	2.68	42.4
		96	32.0	3.98	41.6	30.2	3.51	41.8	28.4	3.22	42.0	27.4	3.08	42.1	26.5	2.95	42.2	24.7	2.68	42.4
	25	50	17.2	2.82	5.88	17.2	2.85	5.88	17.2	2.91	5.91	17.2	2.94	5.92	17.1	2.98	5.95	17.0	3.08	6.00
		60	19.7	3.49	6.14	19.6	3.57	6.17	19.5	3.67	6.22	19.4	3.73	6.25	19.4	3.80	6.28	19.2	3.94	6.35
		96	2																	

# 4 Capacity tables

## 4 - 3 Heating capacity tables

RWEYQ10PY1		TC: Total Capacity: kW ; PI: Power Input: kW (compressor + outdoor fan motor) ; OWT: Outlet Water Temperatur: °C																					
		Combination (%)	Inlet Water Temp. (°C)	Water Volume L/min	Indoor air temperature: °CDB																		
					16.0			18.0			20.0			21.0			22.0			24.0			
TC	PI	OWT	TC	PI	OWT	TC	PI	OWT	TC	PI	OWT	TC	PI	OWT	TC	PI	OWT	TC	PI	OWT			
70	10	50	17.2	2.92	5.91	17.1	2.99	5.95	17.0	3.07	6.00	17.0	3.12	6.03	16.9	3.17	6.06	16.8	3.29	6.13			
		60	19.5	3.70	6.23	19.4	3.80	6.28	19.2	3.93	6.35	19.1	4.00	6.38	19.1	4.07	6.42	18.9	4.22	6.50			
		96	24.5	5.78	7.20	23.5	5.47	7.31	22.1	4.98	7.45	21.3	4.74	7.52	20.6	4.50	7.59	19.2	4.05	7.74			
		120	24.9	5.78	7.72	23.5	5.28	7.83	22.1	4.81	7.94	21.3	4.58	8.00	20.6	4.36	8.06	19.2	3.93	8.17			
	15	50	24.9	5.74	9.51	23.5	5.25	9.78	22.1	4.77	10.05	21.3	4.55	10.2	20.6	4.33	10.3	19.2	3.90	10.6			
		60	24.9	5.51	10.4	23.5	5.04	10.6	22.1	4.59	10.8	21.3	4.37	10.9	20.6	4.16	11.1	19.2	3.76	11.3			
		96	24.9	4.98	12.0	23.5	4.56	12.2	22.1	4.16	12.3	21.3	3.97	12.4	20.6	3.78	12.5	19.2	3.42	12.6			
		120	24.9	4.81	12.6	23.5	4.41	12.7	22.1	4.03	12.8	21.3	3.84	12.9	20.6	3.66	13.0	19.2	3.32	13.1			
	20	50	24.9	4.40	14.1	23.5	4.04	14.4	22.1	3.69	14.7	21.3	3.53	14.9	20.6	3.37	15.1	19.2	3.06	15.4			
		60	24.9	4.35	15.1	23.5	4.00	15.3	22.1	3.66	15.6	21.3	3.49	15.7	20.6	3.33	15.9	19.2	3.03	16.1			
		96	24.9	4.24	16.9	23.5	3.89	17.1	22.1	3.56	17.2	21.3	3.41	17.3	20.6	3.25	17.4	19.2	2.95	17.6			
		120	24.9	4.20	17.5	23.5	3.86	17.7	22.1	3.53	17.8	21.3	3.38	17.9	20.6	3.22	17.9	19.2	2.93	18.1			
25	50	24.9	3.80	19.0	23.5	3.50	19.3	22.1	3.21	19.6	21.3	3.07	19.8	20.6	2.94	19.9	19.2	2.68	20.3				
	60	24.9	3.76	20.0	23.5	3.46	20.2	22.1	3.18	20.5	21.3	3.04	20.6	20.6	2.91	20.8	19.2	2.65	21.0				
	96	24.9	3.67	21.8	23.5	3.38	22.0	22.1	3.10	22.2	21.3	2.97	22.3	20.6	2.84	22.3	19.2	2.59	22.5				
	120	24.9	3.63	22.5	23.5	3.35	22.6	22.1	3.08	22.7	21.3	2.95	22.8	20.6	2.82	22.9	19.2	2.57	23.0				
30	50	24.9	3.34	23.8	23.5	3.08	24.2	22.1	2.84	24.5	21.3	2.72	24.7	20.6	2.61	24.8	19.2	2.38	25.2				
	60	24.9	3.30	24.8	23.5	3.05	25.1	22.1	2.81	25.4	21.3	2.69	25.5	20.6	2.58	25.7	19.2	2.36	26.0				
	96	24.9	3.22	26.8	23.5	2.98	26.9	22.1	2.75	27.1	21.3	2.63	27.2	20.6	2.52	27.3	19.2	2.31	27.5				
	120	24.9	3.20	27.4	23.5	2.95	27.6	22.1	2.72	27.7	21.3	2.61	27.8	20.6	2.50	27.8	19.2	2.29	28.0				
35	50	24.9	2.97	28.7	23.5	2.75	29.1	22.1	2.54	29.4	21.3	2.44	29.6	20.6	2.34	29.8	19.2	2.15	30.1				
	60	24.9	2.94	29.8	23.5	2.72	30.0	22.1	2.52	30.3	21.3	2.42	30.5	20.6	2.32	30.6	19.2	2.13	30.9				
	96	24.9	2.87	31.7	23.5	2.66	31.9	22.1	2.46	32.1	21.3	2.36	32.2	20.6	2.27	32.3	19.2	2.09	32.4				
	120	24.9	2.85	32.4	23.5	2.64	32.5	22.1	2.44	32.7	21.3	2.35	32.7	20.6	2.25	32.8	19.2	2.07	33.0				
40	50	24.9	2.89	33.7	23.5	2.68	34.0	22.1	2.48	34.4	21.3	2.38	34.6	20.6	2.28	34.7	19.2	2.10	35.1				
	60	24.9	2.87	34.7	23.5	2.66	35.0	22.1	2.45	35.3	21.3	2.36	35.5	20.6	2.26	35.6	19.2	2.08	35.9				
	96	24.9	2.80	36.7	23.5	2.59	36.9	22.1	2.40	37.1	21.3	2.31	37.2	20.6	2.21	37.3	19.2	2.04	37.4				
	120	24.9	2.78	37.4	23.5	2.58	37.5	22.1	2.38	37.7	21.3	2.29	37.7	20.6	2.20	37.8	19.2	2.02	37.9				
45	50	24.9	2.82	38.7	23.5	2.61	39.0	22.1	2.41	39.4	21.3	2.32	39.5	20.6	2.22	39.7	19.2	2.04	40.1				
	60	24.9	2.80	39.7	23.5	2.59	40.0	22.1	2.39	40.3	21.3	2.30	40.5	20.6	2.21	40.6	19.2	2.03	40.9				
	96	24.9	2.73	41.7	23.5	2.53	41.9	22.1	2.34	42.1	21.3	2.25	42.2	20.6	2.16	42.2	19.2	1.98	42.4				
	120	24.9	2.71	42.4	23.5	2.51	42.5	22.1	2.32	42.6	21.3	2.23	42.7	20.6	2.14	42.8	19.2	1.97	42.9				
60	10	50	17.0	3.12	6.03	16.9	3.22	6.08	16.8	3.32	6.15	16.7	3.38	6.19	16.6	3.44	6.22	16.4	3.57	6.31			
		60	19.1	4.00	6.38	19.0	4.12	6.45	18.8	4.26	6.52	18.3	4.08	6.61	17.7	3.88	6.70	16.5	3.48	6.90			
		96	21.3	4.73	7.52	20.1	4.34	7.64	18.9	3.96	7.77	18.3	3.78	7.83	17.7	3.60	7.90	16.5	3.26	8.03			
		120	21.3	4.58	8.00	20.1	4.20	8.10	18.9	3.84	8.20	18.3	3.66	8.25	17.7	3.50	8.31	16.5	3.17	8.41			
	15	50	21.3	4.54	10.2	20.1	4.17	10.4	18.9	3.81	10.7	18.3	3.64	10.8	17.7	3.47	10.9	16.5	3.15	11.2			
		60	21.3	4.37	10.9	20.1	4.01	11.2	18.9	3.67	11.4	18.3	3.51	11.5	17.7	3.35	11.6	16.5	3.04	11.8			
		96	21.3	3.96	12.4	20.1	3.65	12.5	18.9	3.34	12.7	18.3	3.20	12.7	17.7	3.06	12.8	16.5	2.78	13.0			
		120	21.3	3.84	12.9	20.1	3.53	13.0	18.9	3.24	13.1	18.3	3.10	13.2	17.7	2.97	13.2	16.5	2.70	13.4			
	20	50	21.3	3.53	14.9	20.1	3.25	15.2	18.9	2.99	15.4	18.3	2.86	15.6	17.7	2.74	15.7	16.5	2.50	16.0			
		60	21.3	3.49	15.7	20.1	3.22	16.0	18.9	2.96	16.2	18.3	2.84	16.3	17.7	2.71	16.4	16.5	2.48	16.7			
		96	21.3	3.40	17.3	20.1	3.14	17.5	18.9	2.89	17.6	18.3	2.77	17.7	17.7	2.65	17.8	16.5	2.42	17.9			
		120	21.3	3.37	17.9	20.1	3.12	18.0	18.9	2.87	18.1	18.3	2.75	18.1	17.7	2.63	18.2	16.5	2.41	18.3			
25	50	21.3	3.07	19.8	20.1	2.84	20.0	18.9	2.62	20.3	18.3	2.52	20.5	17.7	2.41	20.6	16.5	2.21	20.9				
	60	21.3	3.04	20.6	20.1	2.82	20.9	18.9	2.60	21.1	18.3	2.49	21.2	17.7	2.39	21.3	16.5	2.19	21.6				
	96	21.3	2.97	22.3	20.1	2.75	22.4	18.9	2.54	22.6	18.3	2.44	22.6	17.7	2.34	22.7	16.5	2.15	22.9				
	120	21.3	2.95	22.8	20.1	2.73	22.9	18.9	2.52	23.0	18.3	2.42	23.1	17.7	2.32	23.2	16.5	2.13	23.3				
30	50	21.3	2.72	24.7	20.1	2.52	25.0	18.9	2.34	25.3	18.3	2.25	25.4	17.7	2.16	25.5	16.5	1.99	25.8				
	60	21.3	2.69	25.5	20.1	2.50	25.8	18.9	2.32	26.0	18.3	2.23	26.2	17.7	2.14	26.3	16.5	1.97	26.5				
	96	21.3	2.63	27.2	20.1	2.44	27.4	18.9	2.27	27.5	18.3	2.18	27.6	17.7	2.09	27.7	16.5	1.93	27.8				
	120	21.3	2.61	27.8	20.1	2.43	27.9	18.9	2.25	28.0	18.3	2.16	28.1	17.7	2.08	28.1	16.5	1.92	28.3				
35	50	21.3	2.44	29.6	20.1	2.27	29.9	18.9	2.11	30.2	18.3	2.03	30.3	17.7	1.95	30.5	16.5	1.81	30.8				
	60	21.3	2.42	30.5	20.1	2.25	30.7	18.9	2.09	31.0	18.3	2.01	31.1	17.7	1.94	31.2	16.5	1.79	31.5				
	96	21.3	2.36	32.2	20.1	2.20	32.3	18.9	2.05	32.5	18.3	1.97	32.6	17.7	1.90	32.6	16.5	1.76	32.8				
	120	21.3	2.35	32.7	20.1	2.19	32.9																

# 4 Capacity tables

## 4 - 3 Heating capacity tables

### RWEYQ16PY1

TC: Total Capacity: kW ; PI: Power Input: kW (compressor + outdoor fan motor) ; OWT: Outlet Water Temperatur: °C

Combination (%)	Inlet Water Temp. (°C)	Water Volume L/min	Indoor air temperature: °CDB																	
			16.0			18.0			20.0			21.0			22.0			24.0		
			TC kW	PI kW	OWT °C	TC kW	PI kW	OWT °C	TC kW	PI kW	OWT °C	TC kW	PI kW	OWT °C	TC kW	PI kW	OWT °C	TC kW	PI kW	OWT °C
130	10	50	23.5	5.47	7.42	24.5	5.01	7.21	25.3	4.64	7.04	25.7	4.48	6.96	26.0	4.35	6.90	26.6	4.13	6.79
		60	29.2	5.46	7.17	29.8	5.16	7.05	30.4	4.94	6.96	30.6	4.86	6.93	30.8	4.80	6.89	31.1	4.72	6.85
		96	40.4	6.46	7.47	40.6	6.45	7.45	40.6	6.50	7.45	40.6	6.55	7.45	40.6	6.61	7.46	40.5	6.78	7.48
		120	42.6	6.71	7.86	42.7	6.75	7.85	42.7	6.84	7.86	42.6	6.91	7.87	42.6	7.00	7.88	42.4	7.20	7.90
	15	50	42.5	6.63	9.86	42.6	6.67	9.85	42.6	6.77	9.87	42.5	6.83	9.88	42.5	6.91	9.90	42.3	7.12	9.96
		60	43.7	6.65	10.6	43.7	6.71	10.6	43.7	6.83	10.6	43.6	6.90	10.6	43.6	6.99	10.6	43.3	7.21	10.7
		96	46.9	6.75	12.0	46.8	6.86	12.0	46.7	7.02	12.0	46.5	7.12	12.1	46.4	7.23	12.1	46.1	7.48	12.1
		120	48.0	6.80	12.5	47.9	6.92	12.6	47.7	7.10	12.6	47.6	7.20	12.6	47.4	7.32	12.6	47.1	7.58	12.6
	20	50	56.9	6.94	13.7	50.7	7.11	13.8	50.5	7.31	13.8	50.3	7.43	13.9	50.1	7.55	13.9	49.7	7.83	14.0
		60	51.3	6.96	14.7	51.1	7.13	14.8	50.8	7.34	14.8	50.6	7.46	14.8	50.5	7.58	14.9	50.0	7.86	15.0
		96	52.2	7.02	16.6	52.0	7.20	16.7	51.7	7.41	16.7	51.5	7.53	16.7	51.3	7.66	16.7	50.9	7.95	16.8
		120	52.5	7.04	17.3	52.2	7.22	17.3	52.0	7.43	17.3	51.8	7.55	17.4	51.6	7.68	17.4	51.1	7.97	17.4
25	50	56.1	7.28	18.0	55.8	7.49	18.1	55.4	7.73	18.2	55.2	7.86	18.2	54.9	8.00	18.3	54.4	8.31	18.4	
	60	56.4	7.31	19.1	56.1	7.52	19.2	55.7	7.76	19.3	55.5	7.89	19.3	55.3	8.03	19.4	54.8	8.34	19.5	
	96	57.4	7.38	21.3	57.1	7.80	21.3	56.7	7.84	21.4	56.4	7.98	21.4	56.2	8.12	21.4	55.6	8.43	21.5	
	120	57.7	7.40	22.0	57.4	7.82	22.0	57.0	7.87	22.1	56.7	8.00	19.2	56.5	8.15	22.1	55.9	8.45	22.2	
30	50	61.2	7.67	22.3	60.8	7.91	22.4	60.3	8.17	22.5	60.0	8.31	22.6	59.7	8.46	22.7	59.6	7.92	23.0	
	60	61.6	7.70	23.6	61.1	7.94	23.6	60.7	8.20	23.7	60.4	8.34	23.8	60.1	8.49	23.8	59.6	7.83	24.2	
	96	62.6	7.78	25.9	62.2	8.02	26.0	61.6	8.29	26.0	61.4	8.43	26.0	60.8	8.49	26.1	59.6	7.61	26.3	
	120	62.9	7.81	26.7	62.5	8.05	26.7	62.0	8.32	26.8	61.7	8.46	26.8	60.8	8.42	26.9	59.6	7.54	27.1	
35	50	66.3	8.08	26.7	65.7	8.34	26.8	65.0	8.56	26.9	62.9	8.13	27.1	60.8	8.72	27.4	59.6	6.93	27.9	
	60	66.7	8.12	28.0	66.2	8.37	28.1	65.0	8.46	28.2	62.9	8.04	28.4	60.8	8.76	28.6	59.6	6.86	29.1	
	96	67.8	8.20	30.6	67.2	8.46	30.6	65.0	8.22	30.8	62.9	7.82	30.9	60.8	8.73	31.0	59.6	6.67	31.3	
	120	68.1	8.23	31.4	67.6	8.48	31.5	65.0	8.15	31.6	62.9	7.75	31.7	60.8	8.76	31.8	59.6	6.61	32.0	
40	50	71.3	8.50	31.0	69.2	8.31	31.3	65.0	8.23	31.9	62.9	7.83	32.1	60.8	8.74	32.3	59.6	6.70	32.8	
	60	71.8	8.54	32.4	69.2	8.21	32.7	65.0	8.14	33.2	62.9	7.74	33.4	60.8	8.76	32.6	59.6	6.63	34.0	
	96	72.9	8.62	35.2	69.2	7.98	35.4	65.0	7.91	35.7	62.9	7.53	35.9	60.8	8.71	36.0	59.6	6.45	36.3	
	120	73.3	8.65	36.1	69.2	7.91	36.3	65.0	7.84	36.6	62.9	7.47	36.7	60.8	8.71	36.8	59.6	6.40	37.0	
45	50	73.4	8.44	35.7	69.2	8.10	36.2	65.0	7.94	36.8	62.9	7.56	37.1	60.8	8.71	37.3	59.6	6.49	37.8	
	60	73.4	8.35	37.2	69.2	8.01	37.7	65.0	7.85	38.2	62.9	7.48	38.4	60.8	8.72	38.6	59.6	6.43	39.0	
	96	73.4	8.12	40.1	69.2	7.78	40.4	65.0	7.64	40.7	62.9	7.28	40.8	60.8	8.63	41.0	59.6	6.26	41.2	
	120	73.4	8.04	41.1	69.2	7.71	41.3	65.0	7.57	41.6	62.9	7.22	41.7	60.8	8.67	41.8	59.6	6.21	42.0	
120	10	50	24.8	4.87	7.15	25.5	4.55	7.00	26.1	4.30	6.87	26.4	4.20	6.82	26.6	4.11	6.78	27.0	3.99	6.71
		60	30.0	5.08	7.02	30.5	4.90	6.94	30.9	4.78	6.88	31.0	4.74	6.86	31.1	4.72	6.85	31.2	4.72	6.83
		96	40.6	6.46	7.45	40.7	6.53	7.45	40.6	6.64	7.47	40.5	6.72	7.48	40.5	6.81	7.49	40.2	7.03	7.52
		120	42.7	6.77	7.86	42.6	6.88	7.86	42.5	7.03	7.88	42.4	7.13	7.89	42.3	7.23	7.90	42.1	7.48	7.93
	15	50	42.6	6.70	9.86	42.5	6.80	9.88	42.4	6.95	9.91	42.4	7.04	9.94	42.2	7.15	9.97	42.0	7.39	10.04
		60	43.7	6.75	10.6	43.7	6.87	10.6	43.5	7.03	10.6	43.4	7.13	10.7	43.3	7.24	10.7	43.0	7.50	10.8
		96	46.8	6.91	12.0	46.6	7.07	12.1	46.4	7.27	12.1	46.2	7.39	12.1	46.1	7.51	12.1	45.7	7.79	12.2
		120	47.8	6.98	12.6	47.6	7.15	12.6	47.4	7.36	12.6	47.2	7.48	12.6	47.0	7.61	12.6	46.6	7.90	12.7
	20	50	50.6	7.17	13.8	50.4	7.37	13.8	50.1	7.60	13.9	49.9	7.73	14.0	49.7	7.87	14.0	49.2	8.17	14.1
		60	51.0	7.20	14.8	50.7	7.40	14.8	50.4	7.63	14.9	50.2	7.76	14.9	50.0	7.90	15.0	49.5	8.20	15.1
		96	51.9	7.27	16.7	51.6	7.47	16.7	51.2	7.71	16.8	51.0	7.84	16.8	50.8	7.98	16.8	50.3	8.29	16.9
		120	52.2	7.29	17.3	51.9	7.50	17.4	51.5	7.74	17.4	51.3	7.87	17.4	51.1	8.01	17.4	50.6	8.31	17.5
25	50	55.6	7.57	18.1	55.3	7.80	18.2	54.8	8.06	18.3	54.6	8.20	18.4	54.3	8.34	18.4	52.3	8.08	18.7	
	60	56.0	7.60	19.2	55.6	7.83	19.3	55.2	8.09	19.4	54.9	8.23	19.4	54.7	8.38	19.5	52.3	7.99	19.7	
	96	56.9	7.68	21.3	56.5	7.91	21.4	56.1	8.18	21.4	54.8	8.32	21.5	55.6	8.46	21.5	52.3	7.77	21.7	
	120	57.2	7.70	22.0	56.8	7.94	22.1	56.4	8.20	22.1	56.1	8.34	22.1	55.9	8.49	22.2	52.3	7.70	22.3	
30	50	60.6	8.00	22.5	60.1	8.25	22.6	59.6	8.52	22.7	58.1	8.23	22.9	56.1	7.81	23.1	52.3	7.01	23.5	
	60	61.0	8.03	23.7	60.5	8.28	23.8	60.0	8.55	23.9	58.1	8.13	24.0	56.1	7.72	24.2	52.3	6.93	24.6	
	96	62.0	8.11	26.0	61.5	8.37	26.0	60.0	8.32	26.1	58.1	7.91	26.3	56.1	7.51	26.4	52.3	6.74	26.6	
	120	62.3	8.14	26.8	61.8	8.39	26.8	60.0	8.24	26.9	58.1	7.83	27.0	56.1	7.44	27.1	52.3	6.68	27.3	
35	50	65.5	8.43	26.8	63.9	8.33	27.0	60.0	7.56	27.5	58.1	7.20	27.7	56.1	6.84	27.9	52.3	6.15	28.4	
	60	66.0	8.46	28.1	63.9	8.23	28.4	60.0	7.48	28.7	58.1	7.12	28.9	56.1	6.77	29.1	52.3	6.09	29.5	
	96	67.0	8.55	30.6	63.9	8.00	30.8	60.0	7.27	31.1	58.1	6.92	31.2	56.1	6.58	31.3	52.3	5.93	31.5	
	120	67.4	8.58	31.5	63.9	7.93	31.7	60.0	7.21	31.8	58.1	6.86	31.9	56.1	6.53	32.0	52.3	5.88	32.2	
40	50	67.7	8.03	31.4	63.9	8.01	32.0	60.0	7.29	32.4	58.1	6.95	32.7	56.1	6.61	32.9	52.3	5.97	33.4	
	60	67.7	7.95	32.9	63.9	7.92	33.0	60.0	7.21	33.7	58.1	6.87	33.9	56.1	6.54	34.1	52.3	5.90	34.5	
	96	67.7	7.72	35.5	63.9	7.70	35.8	60.0	7.02	36.0	58.1	6.69	36.2	56.1	6.37	36.3	52.3	5.75	36.5	
	120	67.7	7.66	36.4	63.9	7.6														



# 4 Capacity tables

## 4 - 3 Heating capacity tables

RWEYQ16PY1																				
TC: Total Capacity: kW ; PI: Power Input: kW (compressor + outdoor fan motor) ; OWT: Outlet Water Temperatur: °C																				
Combination (%)	Inlet Water Temp. (°C)	Water Volume L/min	Indoor air temperature: °CDB																	
			16.0			18.0			20.0			21.0			22.0			24.0		
			TC kW	PI kW	OWT °C	TC kW	PI kW	OWT °C	TC kW	PI kW	OWT °C	TC kW	PI kW	OWT °C	TC kW	PI kW	OWT °C	TC kW	PI kW	OWT °C
100	10	50	26.6	4.12	6.78	26.9	4.02	6.72	27.1	3.96	6.68	27.2	3.94	6.67	27.3	3.94	6.66	27.3	3.98	6.65
		60	31.1	4.72	6.85	31.2	4.71	6.83	31.3	4.75	6.83	31.3	4.79	6.84	31.3	4.84	6.85	31.2	4.96	6.87
		96	40.5	6.80	7.49	40.3	6.97	7.51	40.1	7.18	7.54	39.9	7.30	7.56	39.8	7.42	7.58	39.4	7.70	7.63
		120	42.4	7.22	7.90	42.1	7.42	7.93	41.9	7.65	7.96	41.7	7.78	7.97	41.5	7.92	7.99	41.1	8.22	8.03
	15	50	42.3	7.13	9.97	42.0	7.33	10.02	41.8	7.56	10.10	41.6	7.69	10.14	41.4	7.82	10.18	41.1	8.12	10.28
		60	43.3	7.23	10.7	43.1	7.43	10.7	42.8	7.67	10.8	42.6	7.80	10.8	42.4	7.94	10.9	42.0	8.24	11.0
		96	46.1	7.49	12.1	45.8	7.72	12.2	45.4	7.97	12.2	45.2	8.11	12.2	45.0	8.25	12.3	43.6	8.11	12.4
		120	47.1	7.59	12.6	46.7	7.82	12.7	46.4	8.08	12.7	46.2	8.22	12.7	45.9	8.37	12.8	43.6	7.83	12.9
	20	50	49.7	7.85	14.0	49.3	8.09	14.1	48.9	8.36	14.2	48.4	8.39	14.3	48.8	7.96	14.4	43.6	7.14	14.8
		60	50.0	7.88	15.0	49.6	8.13	15.0	49.2	8.39	15.1	48.4	8.29	15.2	46.8	7.87	15.4	43.6	7.06	15.6
		96	50.8	7.96	16.8	50.4	8.21	16.8	50.0	8.48	16.9	48.4	8.06	17.0	46.8	7.65	17.1	43.6	6.87	17.3
		120	51.1	7.99	17.4	50.7	8.24	17.5	50.0	8.40	17.5	48.4	7.99	17.6	46.8	7.58	17.7	43.6	6.81	17.8
25	50	54.4	8.32	18.4	53.2	8.31	18.6	50.0	7.54	18.9	48.4	7.18	19.1	46.8	6.82	19.3	43.6	6.14	19.6	
	60	54.7	8.36	19.5	53.2	8.21	19.6	50.0	7.46	19.9	48.4	7.10	20.1	46.8	6.75	20.2	43.6	6.07	20.5	
	96	55.6	8.44	21.5	53.2	7.98	21.6	50.0	7.26	21.8	48.4	6.91	21.9	46.8	6.57	22.0	43.6	5.91	22.2	
	120	55.9	8.47	22.2	53.2	7.91	22.3	50.0	7.19	22.4	48.4	6.85	22.5	46.8	6.51	22.6	43.6	5.86	22.7	
30	50	56.4	7.87	23.0	53.2	7.19	23.4	50.0	6.55	23.8	48.4	6.24	24.0	46.8	5.94	24.1	43.6	5.36	24.5	
	60	56.4	7.78	24.2	53.2	7.12	24.5	50.0	6.48	24.8	48.4	6.18	25.0	46.8	5.88	25.1	43.6	5.31	25.4	
	96	56.4	7.56	26.4	53.2	6.92	26.5	50.0	6.31	26.7	48.4	6.01	26.8	46.8	5.72	26.9	43.6	5.17	27.1	
	120	56.4	7.50	27.1	53.2	6.86	27.2	50.0	6.25	27.4	48.4	5.96	27.5	46.8	5.68	27.5	43.6	5.13	27.7	
35	50	56.4	6.89	27.9	53.2	6.32	28.3	50.0	5.77	28.7	48.4	5.50	28.9	46.8	5.24	29.0	43.6	4.75	29.4	
	60	56.4	6.82	29.1	53.2	6.25	29.4	50.0	5.71	29.7	48.4	5.45	29.9	46.8	5.19	30.0	43.6	4.70	30.4	
	96	56.4	6.63	31.3	53.2	6.08	31.5	50.0	5.56	31.7	48.4	5.31	31.8	46.8	5.06	31.9	43.6	4.59	32.1	
	120	56.4	6.57	32.0	53.2	6.03	32.2	50.0	5.51	32.3	48.4	5.26	32.4	46.8	5.02	32.5	43.6	4.55	32.7	
40	50	56.4	6.66	32.9	53.2	6.12	33.3	50.0	5.60	33.6	48.4	5.35	33.8	46.8	5.11	34.0	43.6	4.63	34.4	
	60	56.4	6.59	34.0	53.2	6.05	34.4	50.0	5.54	34.7	48.4	5.30	34.9	46.8	5.06	35.0	43.6	4.59	35.3	
	96	56.4	6.41	36.3	53.2	5.90	36.5	50.0	5.40	36.7	48.4	5.17	36.8	46.8	4.93	36.9	43.6	4.47	37.1	
	120	56.4	6.36	37.0	53.2	5.85	37.2	50.0	5.36	37.3	48.4	5.12	37.4	46.8	4.89	37.5	43.6	4.44	37.7	
45	50	56.4	6.46	37.8	53.2	5.95	38.2	50.0	5.46	38.6	48.4	5.22	38.8	46.8	4.98	39.0	43.6	4.52	39.4	
	60	56.4	6.39	39.0	53.2	5.89	39.3	50.0	5.40	39.7	48.4	5.17	39.8	46.8	4.93	40.0	43.6	4.47	40.3	
	96	56.4	6.23	41.3	53.2	5.74	41.5	50.0	5.27	41.7	48.4	5.04	41.8	46.8	4.81	41.9	43.6	4.36	42.1	
	120	56.4	6.18	42.0	53.2	5.69	42.2	50.0	5.23	42.3	48.4	5.00	42.4	46.8	4.77	42.5	43.6	4.33	42.7	
90	10	50	27.1	3.97	6.69	27.2	3.94	6.66	27.3	3.96	6.65	27.3	3.98	6.65	27.3	4.01	6.66	27.3	4.10	6.68
		60	31.3	4.74	6.83	31.3	4.80	6.84	31.2	4.90	6.86	31.1	4.96	6.87	31.1	5.03	6.89	30.9	5.20	6.93
		96	40.1	7.12	7.54	39.9	7.34	7.57	39.6	7.57	7.61	39.4	7.70	7.63	39.3	7.84	7.65	38.9	8.14	7.71
		120	41.9	7.59	7.95	41.7	7.82	7.98	41.3	8.08	8.01	41.1	8.22	8.03	40.9	8.37	8.05	39.2	8.01	8.14
	15	50	41.8	7.50	10.08	41.6	7.73	10.15	41.2	7.98	10.23	41.1	8.12	10.28	40.9	8.27	10.3	39.2	7.96	10.5
		60	42.9	7.61	10.8	42.6	7.85	10.9	42.2	8.11	10.9	42.0	8.25	11.0	41.8	8.39	11.0	39.2	7.64	11.2
		96	45.5	7.91	12.2	45.2	8.15	12.2	44.8	8.42	12.3	43.6	8.10	12.4	42.1	7.69	12.4	39.2	6.90	12.6
		120	46.5	8.02	12.7	46.1	8.27	12.7	45.3	8.23	12.8	43.6	7.82	12.9	42.1	7.43	12.9	39.2	6.67	13.1
	20	50	49.0	8.29	14.2	47.9	8.25	14.3	45.0	7.50	14.6	43.6	7.13	14.8	42.1	6.78	14.9	39.2	6.10	15.3
		60	49.3	8.33	15.1	47.9	8.16	15.3	45.0	7.41	15.5	43.6	7.05	15.6	42.1	6.71	15.8	39.2	6.03	16.0
		96	50.1	8.41	16.9	47.9	7.93	17.0	45.0	7.21	17.2	43.6	6.86	17.3	42.1	6.52	17.3	39.2	5.88	17.5
		120	50.4	8.44	17.5	47.9	7.86	17.6	45.0	7.14	17.7	43.6	6.80	17.8	42.1	6.47	17.9	39.2	5.82	18.0
25	50	50.8	7.73	18.8	47.9	7.07	19.1	45.0	6.44	19.5	43.6	6.13	19.6	42.1	5.84	19.8	39.2	5.27	20.1	
	60	50.8	7.64	19.8	47.9	6.99	20.1	45.0	6.37	20.4	43.6	6.07	20.5	42.1	5.78	20.7	39.2	5.22	20.9	
	96	50.8	7.43	21.8	47.9	6.80	21.9	45.0	6.20	22.1	43.6	5.91	22.2	42.1	5.63	22.3	39.2	5.09	22.5	
	120	50.8	7.36	22.4	47.9	6.74	22.5	45.0	6.14	22.7	43.6	5.86	22.7	42.1	5.58	22.8	39.2	5.04	23.0	
30	50	50.8	6.70	23.7	47.9	6.15	24.0	45.0	5.62	24.4	43.6	5.36	24.5	42.1	5.11	24.7	39.2	4.63	25.0	
	60	50.8	6.63	24.7	47.9	6.08	25.0	45.0	5.56	25.3	43.6	5.30	25.4	42.1	5.06	25.6	39.2	4.58	25.9	
	96	50.8	6.45	26.7	47.9	5.92	26.9	45.0	5.41	27.0	43.6	5.17	27.1	42.1	4.93	27.2	39.2	4.47	27.4	
	120	50.8	6.40	27.4	47.9	5.87	27.5	45.0	5.37	27.6	43.6	5.13	27.7	42.1	4.89	27.8	39.2	4.44	27.9	
35	50	50.8	5.90	28.6	47.9	5.42	28.9	45.0	4.97	29.3	43.6	4.75	29.4	42.1	4.53	29.6	39.2	4.12	30.0	
	60	50.8	5.84	29.6	47.9	5.37	29.9	45.0	4.92	30.2	43.6	4.70	30.4	42.1	4.49	30.5	39.2	4.08	30.8	
	96	50.8	5.68	31.6	47.9	5.23	31.8	45.0	4.79	32.0	43.6	4.58	32.1	42.1	4.38	32.2	39.2	3.99	32.4	
	120	50.8	5.64	32.3	47.9	5.19	32.5	45.0	4.75	32.6	43.6	4.55	32.7	42.1	4.34	32.7	39.2	3.96	32.9	
40	50	50.8	5.72	33.5	47.9	5.27	33.9	45.0	4.84	34.2	43.6	4.63	34.4	42.1	4.42	34.6	39.2	4.02	35.0	
	60	50.8	5.67	34.6	47.9	5.22	34.9	45.0	4.79	35.2	43.6	4.58	35.3	42.1	4.38	35.5	39.2	3.98	35.8	
	96	50.8	5.52	36.6	47.9	5.09	36.8	45.0	4.67	37.0	43.6	4.47	37.1	42.1	4.27	37.2	39.2	3.89	37.4	
	120	50.8	5.48	37.3	47.9	5.05	37.4	45.0	4.64											



# 4 Capacity tables

## 4 - 3 Heating capacity tables

### RWEYQ16PY1

TC: Total Capacity: kW ; PI: Power Input: kW (compressor + outdoor fan motor) ; OWT: Outlet Water Temperatur: °C

Combination (%)	Inlet Water Temp. (°C)	Water Volume L/min	Indoor air temperature: °CDB																	
			16.0			18.0			20.0			21.0			22.0			24.0		
			TC kW	PI kW	OWT °C	TC kW	PI kW	OWT °C	TC kW	PI kW	OWT °C	TC kW	PI kW	OWT °C	TC kW	PI kW	OWT °C	TC kW	PI kW	OWT °C
70	10	50	27.3	4.09	6.68	27.2	4.19	6.71	27.0	4.31	6.74	27.0	4.38	6.76	26.9	4.45	6.79	26.6	4.61	6.84
		60	30.9	5.18	6.93	30.7	5.33	6.97	30.5	5.51	7.01	30.4	5.60	7.04	30.3	5.70	7.07	30.0	5.92	7.13
		96	38.9	8.11	7.70	37.3	7.67	7.79	35.0	6.97	7.91	33.9	6.64	7.97	32.8	6.31	8.03	30.5	5.68	8.15
	15	50	39.5	8.10	8.13	37.3	7.40	8.22	35.0	6.74	8.31	33.9	6.42	8.36	32.8	6.11	8.41	30.5	5.51	8.51
		60	39.5	8.05	10.49	37.3	7.35	10.71	35.0	6.69	10.94	33.9	6.37	11.1	32.8	6.06	11.2	30.5	5.47	11.4
		96	39.5	7.72	11.2	37.3	7.06	11.4	35.0	6.43	11.6	33.9	6.13	11.7	32.8	5.83	11.8	30.5	5.27	12.0
	20	50	39.5	6.98	12.6	37.3	6.39	12.7	35.0	5.83	12.8	33.9	5.56	12.9	32.8	5.30	13.0	30.5	4.80	13.1
		60	39.5	6.74	13.0	37.3	6.18	13.1	35.0	5.64	13.2	33.9	5.38	13.3	32.8	5.13	13.4	30.5	4.65	13.5
		96	39.5	6.16	15.2	37.3	5.66	15.5	35.0	5.18	15.7	33.9	4.95	15.9	32.8	4.72	16.0	30.5	4.28	16.2
	25	50	39.5	6.10	16.0	37.3	5.60	16.2	35.0	5.12	16.4	33.9	4.90	16.5	32.8	4.67	16.6	30.5	4.24	16.9
		60	39.5	5.94	17.5	37.3	5.45	17.6	35.0	4.99	17.8	33.9	4.77	17.8	32.8	4.56	17.9	30.5	4.14	18.0
		96	39.5	5.89	18.0	37.3	5.41	18.1	35.0	4.95	18.2	33.9	4.73	18.3	32.8	4.52	18.3	30.5	4.11	18.4
30	50	39.5	5.33	20.1	37.3	4.90	20.4	35.0	4.50	20.6	33.9	4.31	20.8	32.8	4.12	20.9	30.5	3.75	21.2	
	60	39.5	5.27	20.9	37.3	4.86	21.1	35.0	4.46	21.4	33.9	4.27	21.5	32.8	4.08	21.6	30.5	3.72	21.8	
	96	39.5	5.14	22.4	37.3	4.73	22.6	35.0	4.35	22.7	33.9	4.16	22.8	32.8	3.98	22.9	30.5	3.63	23.0	
35	50	39.5	5.09	22.9	37.3	4.70	23.1	35.0	4.32	23.2	33.9	4.13	23.2	32.8	3.95	23.3	30.5	3.61	23.4	
	60	39.5	4.68	25.0	37.3	4.32	25.3	35.0	3.98	25.6	33.9	3.81	25.7	32.8	3.65	25.8	30.5	3.34	26.1	
	96	39.5	4.63	25.8	37.3	4.28	26.1	35.0	3.94	26.3	33.9	3.78	26.4	32.8	3.62	26.5	30.5	3.31	26.8	
40	50	39.5	4.52	27.4	37.3	4.17	27.5	35.0	3.85	27.7	33.9	3.69	27.7	32.8	3.54	27.8	30.5	3.24	28.0	
	60	39.5	4.48	27.9	37.3	4.14	28.0	35.0	3.82	28.1	33.9	3.66	28.2	32.8	3.51	28.3	30.5	3.22	28.4	
	96	39.5	4.16	29.9	37.3	3.85	30.2	35.0	3.56	30.5	33.9	3.42	30.6	32.8	3.28	30.8	30.5	3.01	31.1	
45	50	39.5	4.12	30.8	37.3	3.82	31.0	35.0	3.53	31.2	33.9	3.39	31.4	32.8	3.25	31.5	30.5	2.99	31.7	
	60	39.5	4.02	32.4	37.3	3.73	32.5	35.0	3.45	32.6	33.9	3.31	32.7	32.8	3.18	32.8	30.5	2.93	32.9	
	96	39.5	3.99	32.9	37.3	3.70	33.0	35.0	3.42	33.1	33.9	3.29	33.2	32.8	3.16	33.2	30.5	2.91	33.4	
50	50	39.5	4.06	34.9	37.3	3.76	35.2	35.0	3.47	35.5	33.9	3.33	35.6	32.8	3.20	35.8	30.5	2.94	36.1	
	60	39.5	4.02	35.8	37.3	3.72	36.0	35.0	3.44	36.2	33.9	3.30	36.3	32.8	3.17	36.5	30.5	2.91	36.7	
	96	39.5	3.92	37.3	37.3	3.64	37.5	35.0	3.36	37.6	33.9	3.23	37.7	32.8	3.10	37.8	30.5	2.85	37.9	
55	50	39.5	3.89	37.9	37.3	3.61	38.0	35.0	3.34	38.1	33.9	3.21	38.2	32.8	3.08	38.2	30.5	2.83	38.3	
	60	39.5	3.96	39.9	37.3	3.66	40.2	35.0	3.38	40.5	33.9	3.25	40.6	32.8	3.12	40.8	30.5	2.86	41.0	
	96	39.5	3.92	40.8	37.3	3.63	41.0	35.0	3.35	41.2	33.9	3.22	41.3	32.8	3.09	41.5	30.5	2.84	41.7	
60	50	39.5	3.82	42.3	37.3	3.55	42.5	35.0	3.28	42.6	33.9	3.15	42.7	32.8	3.02	42.8	30.5	2.78	42.9	
	60	39.5	3.80	42.9	37.3	3.52	43.0	35.0	3.26	43.1	33.9	3.13	43.2	32.8	3.00	43.2	30.5	2.76	43.3	
	96	39.5	3.48	43.8	37.3	3.42	44.0	35.0	3.18	44.1	33.9	3.05	44.2	32.8	2.93	44.3	30.5	2.71	44.4	
65	50	27.0	4.38	6.76	26.8	4.51	6.81	26.6	4.65	6.86	26.5	4.73	6.88	26.4	4.82	6.91	26.1	5.00	6.98	
	60	30.4	5.60	7.04	30.1	5.78	7.09	29.9	5.97	7.14	29.0	5.72	7.22	28.1	5.43	7.30	26.1	4.88	7.46	
	96	33.9	6.63	7.97	31.9	6.08	8.07	30.0	5.55	8.17	29.0	5.29	8.23	28.1	5.04	8.28	26.1	4.57	8.39	
70	50	33.9	6.41	8.36	31.9	5.88	8.44	30.0	5.38	8.53	29.0	5.14	8.57	28.1	4.90	8.62	26.1	4.44	8.70	
	60	33.9	6.37	11.1	31.9	5.84	11.3	30.0	5.34	11.5	29.0	5.10	11.6	28.1	4.86	11.7	26.1	4.41	11.9	
	96	33.9	6.12	11.7	31.9	5.62	11.9	30.0	5.14	12.0	29.0	4.91	12.1	28.1	4.69	12.2	26.1	4.26	12.4	
75	50	33.9	5.56	12.9	31.9	5.11	13.0	30.0	4.69	13.1	29.0	4.48	13.2	28.1	4.28	13.2	26.1	3.90	13.3	
	60	33.9	5.38	13.3	31.9	4.95	13.4	30.0	4.55	13.5	29.0	4.35	13.5	28.1	4.16	13.6	26.1	3.79	13.7	
	96	33.9	4.94	15.9	31.9	4.56	16.1	30.0	4.19	16.3	29.0	4.01	16.4	28.1	3.84	16.5	26.1	3.51	16.8	
80	50	33.9	4.89	16.5	31.9	4.51	16.7	30.0	4.15	16.9	29.0	3.98	17.0	28.1	3.81	17.1	26.1	3.48	17.3	
	60	33.9	4.77	17.8	31.9	4.40	17.9	30.0	4.05	18.1	29.0	3.88	18.1	28.1	3.72	18.2	26.1	3.40	18.3	
	96	33.9	4.73	18.3	31.9	4.37	18.4	30.0	4.02	18.4	29.0	3.85	18.5	28.1	3.69	18.5	26.1	3.37	18.6	
85	50	33.9	4.30	20.8	31.9	3.98	21.0	30.0	3.68	21.2	29.0	3.53	21.3	28.1	3.38	21.5	26.1	3.10	21.7	
	60	33.9	4.26	21.5	31.9	3.95	21.7	30.0	3.64	21.9	29.0	3.50	22.0	28.1	3.35	22.0	26.1	3.08	22.2	
	96	33.9	4.16	22.8	31.9	3.85	22.9	30.0	3.56	23.0	29.0	3.42	23.1	28.1	3.28	23.2	26.1	3.01	23.3	
90	50	33.9	4.13	23.2	31.9	3.82	23.3	30.0	3.53	23.4	29.0	3.39	23.5	28.1	3.25	23.5	26.1	2.99	23.6	
	60	33.9	3.81	25.7	31.9	3.54	25.9	30.0	3.27	26.2	29.0	3.15	26.3	28.1	3.02	26.4	26.1	2.79	26.7	
	96	33.9	3.77	26.4	31.9	3.50	26.6	30.0	3.25	26.8	29.0	3.12	26.9	28.1	3.00	27.0	26.1	2.76	27.2	
95	50	33.9	3.69	27.7	31.9	3.43	27.9	30.0	3.18	28.0	29.0	3.05	28.1	28.1	2.94	28.1	26.1	2.71	28.3	
	60	33.9	3.66	28.2	31.9	3.40	28.3	30.0	3.15	28.4	29.0	3.03	28.4	28.1	2.92	28.5	26.1	2.69	28.6	
	96	33.9	3.42	30.6	31.9	3.18	30.9	30.0	2.96	31.1	29.0	2.85	31.2	28.1	2.74	31.4	26.1	2.53	31.6	
100	50	33.9	3.39	31.4	31.9	3.15	31.6	30.0	2.93	31.8	29.0	2.82	31.9	28.1	2.72	32.0	26.1	2.51	32.2	
	60	33.9	3.31	32.7	31.9	3.09	32.8	30.0	2.87	33.0	29.0	2.77	33.0	28.1	2.66	33.1	26.1	2.47	33.2	
	96	33.9	3.29	33.2	31.9	3.06	33.3	30.0	2.85	33.4	29.0	2.75	33.4	28.1	2.65	33.5	26.1	2.45	33.6	
105	50	33.9	3.33	35.6	31.9	3.10	35.9	30.0	2.88	36.1	29.0	2.78	36.2	28.1	2.67	36.4	26.1	2.47	36.6	
	60	33.9	3.30	36.4	31.9	3.08	36.6	30.0	2.86	36.8	29.0	2.75	36.9	28.1	2.65	37.0	26.1	2.45	37.2	
	96	33.9	3.																	

# 4 Capacity tables

## 4 - 3 Heating capacity tables

RWEYQ18PY1													TC: Total Capacity: kW ; PI: Power Input: kW (compressor + outdoor fan motor) ; OWT: Outlet Water Temperatur: °C											
Combination (%)	Inlet Water Temp. (°C)	Water Volume L/min	Indoor air temperature: °CDB																					
			16.0			18.0			20.0			21.0			22.0			24.0						
			TC	PI	OWT	TC	PI	OWT	TC	PI	OWT	TC	PI	OWT	TC	PI	OWT	TC	PI	OWT				
130	10	50	26.5	6.64	7.15	27.6	6.08	6.91	28.6	5.63	6.71	29.0	5.44	6.62	29.4	5.27	6.54	30.0	5.01	6.42				
		60	32.9	6.62	6.86	33.7	6.27	6.72	34.3	6.00	6.62	34.6	5.90	6.57	34.8	5.82	6.54	35.1	5.73	6.49				
		96	45.7	7.83	7.18	45.9	7.83	7.16	45.9	7.89	7.16	45.9	7.95	7.16	45.9	8.03	7.17	45.8	8.23	7.20				
		120	48.1	8.14	7.61	48.2	8.19	7.61	48.2	8.30	7.62	48.2	8.39	7.62	48.1	8.49	7.63	47.9	8.74	7.66				
	15	50	48.0	8.05	9.27	48.1	8.10	9.27	48.1	8.21	9.28	48.1	8.29	9.30	48.0	8.39	9.32	47.8	8.64	9.39				
		60	49.4	8.07	10.07	49.4	8.15	10.07	49.4	8.28	10.09	49.3	8.38	10.11	49.2	8.49	10.13	49.0	8.75	10.2				
		96	52.9	8.19	11.7	52.9	8.32	11.7	52.7	8.52	11.7	52.6	8.64	11.7	52.5	8.77	11.7	52.1	9.07	11.8				
		120	54.2	8.25	12.3	54.1	8.40	12.3	53.9	8.61	12.3	53.8	8.74	12.3	53.6	8.88	12.3	53.2	9.19	12.4				
	20	50	57.5	8.43	13.0	57.3	8.62	13.0	57.0	8.87	13.1	56.8	9.01	13.1	56.6	9.16	13.2	56.2	9.50	13.3				
		60	57.9	8.45	14.1	57.7	8.65	14.1	57.4	8.90	14.2	57.2	9.05	14.2	57.0	9.20	14.3	56.5	9.54	14.4				
		96	58.9	8.52	16.2	58.7	8.73	16.3	58.4	8.99	16.3	58.2	9.14	16.3	58.0	9.29	16.4	57.5	9.64	16.4				
		120	59.3	8.54	17.0	59.0	8.76	17.0	58.7	9.02	17.0	58.5	9.17	17.1	58.3	9.32	17.1	57.8	9.67	17.1				
25	50	63.4	8.84	17.2	63.0	9.09	17.3	62.6	9.38	17.4	62.3	9.54	17.4	62.1	9.71	17.5	61.5	10.1	17.6					
	60	63.8	8.87	18.4	63.4	9.13	18.5	63.0	9.42	18.6	62.7	9.58	18.7	62.5	9.75	18.7	61.9	10.1	18.8					
	96	64.9	8.95	20.8	64.5	9.22	20.9	64.0	9.52	20.9	63.8	9.68	21.0	63.5	9.85	21.0	62.9	10.2	21.1					
	120	65.2	8.98	21.6	64.8	9.25	21.7	64.4	9.55	21.7	64.1	9.71	21.8	63.8	9.88	21.8	63.2	10.3	21.8					
30	50	69.1	9.31	21.4	68.7	9.31	21.5	68.1	9.91	21.7	67.8	10.1	21.7	67.5	10.3	21.8	64.0	9.60	22.2					
	60	69.6	9.35	22.8	69.1	9.63	22.9	68.5	9.95	23.0	68.2	10.1	23.1	67.9	10.3	23.1	64.0	9.50	23.5					
	96	70.7	9.44	25.4	70.2	9.74	25.5	69.7	10.1	25.6	69.3	10.2	25.6	68.7	10.3	25.6	64.0	9.23	25.9					
	120	71.1	9.47	26.3	70.6	9.77	26.4	70.0	10.1	26.4	69.7	10.3	26.5	68.7	10.2	26.5	64.0	9.15	26.7					
35	50	74.9	9.81	25.7	74.3	10.1	25.8	73.5	10.4	26.0	71.1	9.87	26.2	68.7	9.37	26.5	64.0	8.41	27.0					
	60	75.3	9.85	27.2	74.8	10.2	27.3	73.5	10.3	27.5	71.1	9.76	27.7	68.7	9.27	27.9	64.0	8.32	28.3					
	96	76.6	9.95	30.0	76.0	10.3	30.1	73.5	9.98	30.3	71.1	9.49	30.4	68.7	9.01	30.5	64.0	8.09	30.8					
	120	77.0	9.99	31.0	76.4	10.3	31.1	73.5	9.89	31.2	71.1	9.40	31.3	68.7	8.93	31.4	64.0	8.02	31.7					
40	50	80.6	10.3	29.9	78.2	10.1	30.2	73.5	9.98	30.9	71.1	9.50	31.2	68.7	9.03	31.4	64.0	8.13	32.0					
	60	81.1	10.4	31.6	78.2	9.97	31.9	73.5	9.87	32.4	71.1	9.40	32.6	68.7	8.93	32.9	64.0	8.04	33.3					
	96	82.4	10.5	34.6	78.2	9.69	34.9	73.5	9.60	35.2	71.1	9.14	35.4	68.7	8.69	35.5	64.0	7.83	35.8					
	120	82.8	10.5	35.7	78.2	9.60	35.9	73.5	9.51	36.2	71.1	9.06	36.3	68.7	8.61	36.4	64.0	7.76	36.6					
45	50	82.9	10.2	34.6	78.2	9.83	35.2	73.5	9.63	35.9	71.1	9.17	36.1	68.7	8.73	36.4	64.0	7.88	37.0					
	60	82.9	10.1	36.3	78.2	9.72	36.8	73.5	9.53	37.4	71.1	9.08	37.6	68.7	8.64	37.8	64.0	7.80	38.3					
	96	82.9	9.85	39.5	78.2	9.45	39.9	73.5	9.27	40.2	71.1	8.84	40.4	68.7	8.41	40.5	64.0	7.60	40.8					
	120	82.9	9.76	40.6	78.2	9.36	40.9	73.5	9.19	41.2	71.1	8.76	41.2	68.7	8.34	41.4	64.0	7.54	41.6					
120	10	50	28.0	5.91	6.83	28.8	5.52	6.66	29.5	5.21	6.52	29.8	5.09	6.46	30.1	4.99	6.41	30.5	4.85	6.33				
		60	33.9	6.16	6.68	34.5	5.94	6.59	34.9	5.80	6.53	35.0	5.75	6.50	35.2	5.72	6.49	35.3	5.73	6.47				
		96	45.9	7.84	7.16	45.9	7.92	7.16	45.9	8.06	7.18	45.8	8.15	7.19	45.7	8.26	7.20	45.5	8.53	7.24				
		120	48.2	8.22	7.61	48.2	8.35	7.62	48.1	8.53	7.64	48.0	8.65	7.65	47.8	8.78	7.67	47.5	9.08	7.70				
	15	50	48.1	8.13	9.27	48.1	8.25	9.29	48.0	8.43	9.34	47.9	8.55	9.37	47.7	8.67	9.40	47.4	8.97	9.49				
		60	49.4	8.19	10.07	49.4	8.33	10.10	49.2	8.53	10.14	49.1	8.66	10.17	48.9	8.79	10.2	48.6	9.10	10.3				
		96	52.8	8.39	11.7	52.7	8.58	11.7	52.4	8.82	11.7	52.2	8.96	11.8	52.1	9.11	11.8	51.6	9.45	11.9				
		120	54.0	8.47	12.3	53.8	8.68	12.3	53.5	8.93	12.3	53.3	9.08	12.4	53.2	9.23	12.4	52.7	9.58	12.4				
	20	50	57.2	8.71	13.0	56.9	8.95	13.1	56.6	9.23	13.2	56.3	9.38	13.3	56.1	9.53	13.3	55.6	9.91	13.5				
		60	57.6	8.74	14.2	57.3	8.98	14.2	56.9	9.26	14.3	56.7	9.42	14.4	56.5	9.59	14.4	55.9	9.95	14.5				
		96	58.6	8.82	16.3	58.3	9.07	16.3	57.9	9.36	16.4	57.7	9.52	16.4	57.4	9.69	16.4	56.9	10.1	16.5				
		120	58.9	8.84	17.0	58.6	9.10	17.0	58.2	9.39	17.1	58.0	9.55	17.1	57.7	9.72	17.1	57.2	10.1	17.2				
25	50	62.9	9.19	17.3	62.5	9.47	17.4	62.0	9.78	17.5	61.7	9.95	17.6	61.4	10.1	17.7	59.1	9.81	17.9					
	60	63.3	9.22	18.5	62.9	9.51	18.6	62.4	9.82	18.7	62.1	9.99	18.8	61.8	10.2	18.8	59.1	9.70	19.1					
	96	64.3	9.32	20.9	63.9	9.60	20.9	63.4	9.92	21.0	63.1	10.1	21.0	62.8	10.3	21.1	59.1	9.43	21.3					
	120	64.7	9.35	21.7	64.2	9.64	21.7	63.7	9.95	21.8	63.4	10.1	21.8	63.1	10.3	21.8	59.1	9.34	22.0					
30	50	68.5	9.70	21.6	67.9	10.0	21.7	67.4	10.3	21.8	65.6	9.98	22.0	63.4	9.47	22.3	59.1	8.50	22.8					
	60	68.9	9.74	22.9	68.4	10.0	23.0	67.8	10.4	23.1	65.6	9.87	23.3	63.4	9.37	23.5	59.1	8.41	23.9					
	96	70.0	9.84	25.5	69.5	10.2	25.6	67.8	10.1	25.7	65.6	9.59	25.8	63.4	9.11	25.9	59.1	8.18	26.2					
	120	70.4	9.88	26.4	69.8	10.2	26.4	67.8	10.00	26.5	65.6	9.51	26.6	63.4	9.03	26.8	59.1	8.11	27.0					
35	50	74.1	10.2	25.9	72.2	10.1	26.1	67.8	9.18	26.6	65.6	8.73	26.8	63.4	8.30	27.1	59.1	7.47	27.6					
	60	74.5	10.3	27.3	72.2	9.99	27.6	67.8	9.08	28.0	65.6	8.64	28.2	63.4	8.21	28.4	59.1	7.39	28.8					
	96	75.7	10.4	30.1	72.2	9.71	30.3	67.8	8.83	30.6	65.6	8.40	30.7	63.4	7.99	30.9	59.1	7.19	31.1					
	120	76.1	10.4	31.1	72.2	9.62	31.3	67.8	8.75	31.5	65.6	8.33	31.6	63.4	7.92	31.7	59.1	7.13	31.9					
40	50	76.5	9.75	30.4	72.2	9.71	31.1	67.8	8.85	31.6	65.6	8.43	31.8	63.4	8.02	32.1	59.1	7.24	32.6					
	60	76.5	9.64	32.0	72.2	9.61	32.5	67.8	8.75	32.9	65.6	8.34	33.2	63.4	7.94	33.4	59.1	7.16	33.8					
	96	76.5	9.37	35.0	72.2	9.35	35.3	67.8	8.52	35.6	65.6	8.12	35.7	63.4	7.73	35.8	59.1	6.98	36.1					
	120	76.5	9.29	36.0	72.2	9.26	36.2	67.8	8.44	36.5	65.6	8.05	36.6	63.4	7.66	36.7	59.1	6.92	36.9					
45	50	76.5	9.51	35.4	72.2	9.38	36.0	67.8	8.56	36.5	65.6	8.16	36.8	63.4	7.78	37.0	59.1	7.04	37.5					
	60	76.5	9.40	37.0	72.2	9.28	37.5	67.8	8.47	37.9	65.6	8.08	38.1	63.4	7.70	38.3	59.1	6.97	38.8					
	96	76.5	9.14	40.0	72.2	9.03	40.3	67.8	8.25	40.6	65.6	7.87	40.7	63.4	7.50	40.8	59.1	6.80	41.1					
	120	76.5	9.06	41.0	72.2	8.95	41.2	67.8	8.18	41.4	65.6	7.81	41.5	63.4	7.44	41.7	59.1	6.74	41.9					
110	10	50	29.2	5.37	6.59	29.7	5.12	6.47	30.2	4.94	6.38	30.4	4.87	6.34	30.5	4.83	6.31	30.8	4.79	6.28				
		60	34.7	5.86	6.56	35.0	5.76	6.51	35.2	5.72	6.48	35.												

# 4 Capacity tables

## 4 - 3 Heating capacity tables

### RWEYQ18PY1

TC: Total Capacity: kW ; PI: Power Input: kW (compressor + outdoor fan motor) ; OWT: Outlet Water Temperatur: °C

Combination (%)	Inlet Water Temp. (°C)	Water Volume L/min	Indoor air temperature: °CDB																	
			16.0			18.0			20.0			21.0			22.0			24.0		
			TC kW	PI kW	OWT °C	TC kW	PI kW	OWT °C	TC kW	PI kW	OWT °C	TC kW	PI kW	OWT °C	TC kW	PI kW	OWT °C	TC kW	PI kW	OWT °C
100	10	50	30.0	5.00	6.41	30.4	4.87	6.34	30.7	4.80	6.29	30.7	4.79	6.28	30.8	4.79	6.27	30.9	4.83	6.27
		60	35.1	5.73	6.49	35.3	5.72	6.47	35.3	5.77	6.47	35.3	5.81	6.47	35.3	5.87	6.48	35.2	6.02	6.51
		96	45.7	8.25	7.20	45.5	8.46	7.23	45.3	8.71	7.27	45.1	8.85	7.29	45.0	9.01	7.32	44.6	9.35	7.37
	15	50	47.8	8.65	9.40	47.5	8.89	9.47	47.2	9.17	9.55	47.0	9.33	9.60	46.8	9.49	9.65	46.4	9.9	9.76
		60	49.0	8.77	10.2	48.7	9.02	10.3	48.3	9.31	10.3	48.2	9.47	10.4	47.9	9.64	10.4	47.5	10.0	10.5
		96	52.1	9.09	11.8	51.7	9.37	11.8	51.3	9.68	11.9	51.1	9.84	11.9	50.9	10.02	12.0	49.2	9.84	12.1
	20	50	56.2	9.52	13.3	55.7	9.82	13.4	55.3	10.1	13.5	54.7	10.2	13.6	52.9	9.66	13.8	49.2	8.66	14.2
		60	56.5	9.56	14.4	56.1	9.86	14.5	55.6	10.2	14.6	54.7	10.1	14.7	52.9	9.55	14.8	49.2	8.57	15.1
		96	57.4	9.66	16.4	57.0	9.96	16.2	56.5	10.3	16.6	54.7	9.78	16.6	52.9	9.28	16.7	49.2	8.33	16.9
	25	50	61.4	10.1	17.6	60.1	10.1	17.8	58.5	9.16	18.2	54.7	8.71	18.4	52.9	8.28	18.6	49.2	7.45	19.0
		60	61.8	10.1	18.8	60.1	9.97	19.0	58.5	9.05	19.3	54.7	8.62	19.5	52.9	8.19	19.7	49.2	7.37	20.0
		96	62.8	10.2	21.1	60.1	9.69	21.2	56.5	8.80	21.4	54.7	8.38	21.5	52.9	7.97	21.6	49.2	7.17	21.9
30	50	63.8	9.55	22.2	60.1	8.73	22.6	56.5	7.95	23.0	54.7	7.57	23.2	52.9	7.21	23.5	49.2	6.51	23.9	
	60	63.8	9.44	23.5	60.1	8.63	23.8	56.5	7.86	24.2	54.7	7.49	24.4	52.9	7.13	24.5	49.2	6.44	24.9	
	96	63.8	9.18	25.9	60.1	8.40	26.1	56.5	7.65	26.4	54.7	7.30	26.5	52.9	6.95	26.6	49.2	6.28	26.8	
35	50	63.8	8.36	27.1	60.1	7.66	27.5	56.5	7.00	27.9	54.7	6.68	28.1	52.9	6.36	28.3	49.2	5.76	28.8	
	60	63.8	8.27	28.4	60.1	7.58	28.7	56.5	6.93	29.1	54.7	6.61	29.3	52.9	6.30	29.4	49.2	5.71	29.8	
	96	63.8	8.05	30.8	60.1	7.38	31.1	56.5	6.74	31.3	54.7	6.44	31.4	52.9	6.14	31.5	49.2	5.57	31.7	
40	50	63.8	7.98	31.7	60.1	7.32	31.8	56.5	6.69	32.0	54.7	6.38	32.1	52.9	6.09	32.2	49.2	5.52	32.4	
	60	63.8	8.08	32.0	60.1	7.42	32.4	56.5	6.79	32.9	54.7	6.49	33.1	52.9	6.20	33.3	49.2	5.62	33.7	
	96	63.8	7.99	33.3	60.1	7.35	33.7	56.5	6.73	34.1	54.7	6.43	34.2	52.9	6.14	34.4	49.2	5.56	34.8	
45	50	63.8	7.78	35.8	60.1	7.16	36.0	56.5	6.56	36.3	54.7	6.27	36.4	52.9	5.99	36.5	49.2	5.43	36.7	
	60	63.8	7.72	36.7	60.1	7.10	36.8	56.5	6.50	37.0	54.7	6.22	37.1	52.9	5.94	37.2	49.2	5.38	37.4	
	96	63.8	7.84	37.0	60.1	7.22	37.4	56.5	6.62	37.9	54.7	6.33	38.1	52.9	6.04	38.3	49.2	5.48	38.7	
90	50	30.6	4.81	6.30	30.8	4.79	6.28	30.9	4.80	6.27	30.9	4.83	6.27	30.9	4.87	6.27	30.8	5.0	6.30	
	60	35.3	5.75	6.47	35.3	5.83	6.48	35.3	5.95	6.50	35.2	6.02	6.51	35.1	6.11	6.53	34.9	6.3	6.58	
	96	45.4	8.65	7.26	45.1	8.90	7.30	44.8	9.19	7.35	44.6	9.35	7.37	44.4	9.52	7.40	43.9	9.9	7.46	
10	50	47.3	9.10	9.53	47.0	9.38	9.61	46.6	9.7	9.71	46.4	9.9	9.76	46.2	10.03	9.8	44.3	9.66	10.0	
	60	48.4	9.24	10.3	48.1	9.52	10.4	47.7	9.8	10.5	47.5	10.0	10.5	47.3	10.18	10.6	44.3	9.27	10.8	
	96	51.4	9.60	11.9	51.0	9.90	11.9	50.6	10.2	12.0	49.2	9.83	12.1	47.6	9.33	12.1	44.3	8.37	12.3	
15	50	55.4	10.1	13.5	54.1	10.0	13.7	50.9	9.10	14.0	49.2	8.65	14.2	47.6	8.22	14.4	44.3	7.40	14.7	
	60	55.7	10.1	14.6	54.1	9.90	14.7	50.9	9.00	15.0	49.2	8.56	15.1	47.6	8.14	15.3	44.3	7.32	15.6	
	96	56.6	10.2	16.5	54.1	9.62	16.7	50.9	8.75	16.9	49.2	8.33	16.9	47.6	7.92	17.0	44.3	7.13	17.2	
20	50	56.9	10.2	17.2	54.1	9.54	17.3	50.9	8.67	17.5	49.2	8.25	17.6	47.6	7.85	17.6	44.3	7.07	17.8	
	60	57.4	9.38	18.1	54.1	8.57	18.5	50.9	7.81	18.8	49.2	7.44	19.0	47.6	7.09	19.2	44.3	6.40	19.6	
	96	57.4	9.27	19.3	54.1	8.48	19.6	50.9	7.73	19.9	49.2	7.36	20.0	47.6	7.01	20.2	44.3	6.33	20.5	
25	50	57.4	9.02	21.4	54.1	8.25	21.6	50.9	7.52	21.8	49.2	7.17	21.9	47.6	6.83	22.0	44.3	6.17	22.2	
	60	57.4	8.93	22.1	54.1	8.18	22.3	50.9	7.46	22.4	49.2	7.11	22.5	47.6	6.77	22.6	44.3	6.12	22.7	
	96	57.4	8.14	22.9	54.1	7.46	23.3	50.9	6.81	23.7	49.2	6.50	23.9	47.6	6.20	24.1	44.3	5.62	24.5	
30	50	57.4	8.05	24.1	54.1	7.38	24.4	50.9	6.74	24.7	49.2	6.44	24.9	47.6	6.14	25.1	44.3	5.56	25.4	
	60	57.4	7.83	26.3	54.1	7.19	26.5	50.9	6.57	26.7	49.2	6.27	26.8	47.6	5.98	26.9	44.3	5.43	27.1	
	96	57.4	7.76	27.0	54.1	7.12	27.2	50.9	6.51	27.4	49.2	6.22	27.4	47.6	5.93	27.5	44.3	5.38	27.7	
35	50	57.4	7.16	27.8	54.1	6.58	28.2	50.9	6.03	28.6	49.2	5.76	28.8	47.6	5.50	29.0	44.3	5.00	29.4	
	60	57.4	7.08	29.0	54.1	6.51	29.3	50.9	5.97	29.6	49.2	5.70	29.8	47.6	5.45	30.0	44.3	4.95	30.3	
	96	57.4	6.90	31.2	54.1	6.34	31.4	50.9	5.82	31.6	49.2	5.56	31.7	47.6	5.31	31.8	44.3	4.84	32.1	
40	50	57.4	6.84	32.0	54.1	6.29	32.1	50.9	5.77	32.3	49.2	5.52	32.4	47.6	5.27	32.5	44.3	4.80	32.6	
	60	57.4	6.94	32.8	54.1	6.40	33.2	50.9	5.88	33.6	49.2	5.62	33.8	47.6	5.36	33.9	44.3	4.88	34.3	
	96	57.4	6.87	34.0	54.1	6.34	34.3	50.9	5.82	34.6	49.2	5.56	34.8	47.6	5.31	35.0	44.3	4.83	35.3	
45	50	57.4	6.70	36.2	54.1	6.18	36.4	50.9	5.67	36.6	49.2	5.42	36.7	47.6	5.18	36.8	44.3	4.72	37.0	
	60	57.4	6.65	37.0	54.1	6.13	37.1	50.9	5.63	37.3	49.2	5.38	37.4	47.6	5.14	37.5	44.3	4.68	37.6	
	96	57.4	6.76	37.7	54.1	6.24	38.1	50.9	5.73	38.5	49.2	5.48	38.7	47.6	5.23	38.9	44.3	4.75	39.3	
80	50	57.4	6.70	38.9	54.1	6.18	39.3	50.9	5.67	39.6	49.2	5.42	39.8	47.6	5.18	39.9	44.3	4.71	40.3	
	60	57.4	6.53	41.2	54.1	6.02	41.4	50.9	5.53	41.6	49.2	5.29	41.7	47.6	5.05	41.8	44.3	4.60	42.0	
	96	57.4	6.54	41.9	54.1	5.98	42.1	50.9	5.48	42.3	49.2	5.25	42.4	47.6	5.01	42.5	44.3	4.56	42.6	
10	50	30.9	4.80	6.27	30.9	4.86	6.27	30.8	4.9	6.29	30.8	5.0	6.31	30.7	5.07	6.32	30.5	5.24	6.37	
	60	35.3	5.94	6.50	35.1	6.08	6.53	35.0	6.3	6.57	34.9	6.3	6.59	34.7	6.46	6.62	34.5	6.69	6.68	
	96	44.8	9.18	7.34	44.4	9.46	7.39	44.1	9.8	7.44	43.7	9.89	7.47	42.3	9.38	7.54	39.4	8.41	7.69	
15	50	46.7	9.79	7.80	46.3	10.09	7.84	45.2	10.0	7.90	43.7	9.53	7.96	42.3	9.05	8.01	39.4	8.13	8.13	
	60	46.6	9.7	9.71	46.2	9.97	9.80	45.2	9.96	9.95	43.7	9.47	10.09	42.3	8.99	10.2	39.4	8.07	10.5	
	96	47.7	9.8	10.47</																

# 4 Capacity tables

## 4 - 3 Heating capacity tables

RWEYQ18PY1																				
TC: Total Capacity: kW ; PI: Power Input: kW (compressor + outdoor fan motor) ; OWT: Outlet Water Temperatur: °C																				
Combination (%)	Inlet Water Temp. (°C)	Water Volume L/min	Indoor air temperature: °CDB																	
			16.0			18.0			20.0			21.0			22.0			24.0		
			TC kW	PI kW	OWT °C	TC kW	PI kW	OWT °C	TC kW	PI kW	OWT °C	TC kW	PI kW	OWT °C	TC kW	PI kW	OWT °C	TC kW	PI kW	OWT °C
70	10	50	30.8	5.0	6.30	30.7	5.08	6.33	30.6	5.23	6.37	30.5	5.31	6.39	30.4	5.40	6.42	30.1	5.60	6.49
		60	34.9	6.3	6.58	34.7	6.47	6.63	34.5	6.68	6.68	34.3	6.80	6.71	34.2	6.92	6.74	33.9	7.18	6.81
		96	44.0	9.8	7.45	42.1	9.31	7.55	39.6	8.46	7.68	38.3	8.05	7.74	37.0	7.66	7.81	34.5	6.90	7.94
		120	44.6	9.8	7.92	42.1	8.98	8.02	39.6	8.18	8.13	38.3	7.79	8.18	37.0	7.41	8.23	34.5	6.68	8.34
	15	50	44.6	9.76	10.00	42.1	8.92	10.2	39.6	8.12	10.5	38.3	7.73	10.6	37.0	7.36	10.8	34.5	6.64	11.0
		60	44.6	9.37	10.8	42.1	8.57	11.0	39.6	7.81	11.2	38.3	7.44	11.3	37.0	7.08	11.4	34.5	6.39	11.6
		96	44.6	8.46	12.3	42.1	7.75	12.4	39.6	7.08	12.6	38.3	6.75	12.6	37.0	6.43	12.7	34.5	5.82	12.9
		120	44.6	8.18	12.8	42.1	7.50	12.9	39.6	6.85	13.0	38.3	6.53	13.1	37.0	6.23	13.2	34.5	5.64	13.3
	20	50	44.6	7.48	14.7	42.1	6.87	15.0	39.6	6.28	15.2	38.3	6.00	15.4	37.0	5.73	15.5	34.5	5.20	15.8
		60	44.6	7.40	15.6	42.1	6.80	15.8	39.6	6.22	16.0	38.3	5.94	16.1	37.0	5.67	16.3	34.5	5.15	16.5
		96	44.6	7.20	17.2	42.1	6.62	17.4	39.6	6.06	17.5	38.3	5.79	17.6	37.0	5.53	17.7	34.5	5.02	17.8
		120	44.6	7.14	17.8	42.1	6.56	17.9	39.6	6.01	18.0	38.3	5.74	18.1	37.0	5.48	18.1	34.5	4.99	18.2
25	50	44.6	6.46	19.5	42.1	5.95	19.8	39.6	5.46	20.1	38.3	5.23	20.3	37.0	5.00	20.4	34.5	4.56	20.7	
	60	44.6	6.40	20.4	42.1	5.89	20.7	39.6	5.41	20.9	38.3	5.18	21.0	37.0	4.95	21.2	34.5	4.51	21.4	
	96	44.6	6.23	22.1	42.1	5.74	22.3	39.6	5.28	22.4	38.3	5.05	22.5	37.0	4.83	22.6	34.5	4.41	22.8	
	120	44.6	6.18	22.7	42.1	5.70	22.8	39.6	5.24	23.0	38.3	5.01	23.0	37.0	4.80	23.1	34.5	4.38	23.2	
30	50	44.6	5.67	24.4	42.1	5.24	24.7	39.6	4.83	25.0	38.3	4.63	25.2	37.0	4.43	25.3	34.5	4.05	25.6	
	60	44.6	5.62	25.3	42.1	5.19	25.6	39.6	4.78	25.8	38.3	4.58	26.0	37.0	4.39	26.1	34.5	4.02	26.4	
	96	44.6	5.48	27.1	42.1	5.07	27.2	39.6	4.67	27.4	38.3	4.48	27.5	37.0	4.29	27.6	34.5	3.93	27.7	
	120	44.6	5.44	27.7	42.1	5.03	27.8	39.6	4.63	27.9	38.3	4.44	28.0	37.0	4.26	28.0	34.5	3.90	28.2	
35	50	44.6	5.05	29.3	42.1	4.68	29.6	39.6	4.32	30.0	38.3	4.15	30.1	37.0	3.98	30.3	34.5	3.66	30.6	
	60	44.6	5.00	30.3	42.1	4.63	30.5	39.6	4.28	30.8	38.3	4.11	30.9	37.0	3.95	31.1	34.5	3.63	31.3	
	96	44.6	4.88	32.0	42.1	4.53	32.2	39.6	4.19	32.4	38.3	4.02	32.4	37.0	3.86	32.5	34.5	3.55	32.7	
	120	44.6	4.84	32.6	42.1	4.49	32.8	39.6	4.16	32.9	38.3	3.99	33.0	37.0	3.83	33.0	34.5	3.53	33.2	
40	50	44.6	4.92	34.3	42.1	4.56	34.6	39.6	4.21	34.9	38.3	4.04	35.1	37.0	3.88	35.3	34.5	3.57	35.6	
	60	44.6	4.88	35.3	42.1	4.52	35.5	39.6	4.17	35.8	38.3	4.01	35.9	37.0	3.85	36.0	34.5	3.54	36.3	
	96	44.6	4.76	37.0	42.1	4.41	37.2	39.6	4.08	37.4	38.3	3.92	37.4	37.0	3.76	37.5	34.5	3.46	37.7	
	120	44.6	4.72	37.6	42.1	4.38	37.7	39.6	4.05	37.9	38.3	3.89	37.9	37.0	3.74	38.0	34.5	3.44	38.1	
45	50	44.6	4.80	39.3	42.1	4.45	39.6	39.6	4.11	39.9	38.3	3.94	40.1	37.0	3.78	40.2	34.5	3.48	40.6	
	60	44.6	4.75	40.2	42.1	4.40	40.5	39.6	4.07	40.8	38.3	3.91	40.9	37.0	3.75	41.0	34.5	3.45	41.3	
	96	44.6	4.64	42.0	42.1	4.30	42.2	39.6	3.98	42.3	38.3	3.82	42.4	37.0	3.67	42.5	34.5	3.37	42.7	
	120	44.6	4.61	42.6	42.1	4.27	42.7	39.6	3.95	42.9	38.3	3.80	42.9	37.0	3.64	43.0	34.5	3.35	43.1	
60	10	50	30.5	5.31	6.40	30.3	5.47	6.44	30.0	5.65	6.50	29.9	5.74	6.53	29.8	5.85	6.57	29.5	6.07	6.64
		60	34.3	6.80	6.71	34.1	7.01	6.77	33.8	7.24	6.83	32.8	6.94	6.91	31.7	6.59	7.00	29.5	5.92	7.18
		96	38.3	8.05	7.74	36.1	7.37	7.86	33.9	6.73	7.97	32.8	6.42	8.03	31.7	6.12	8.09	29.5	5.54	8.21
		120	38.3	7.78	8.18	36.1	7.14	8.27	33.9	6.53	8.37	32.8	6.23	8.41	31.7	5.95	8.46	29.5	5.39	8.56
	15	50	38.3	7.73	10.6	36.1	7.09	10.8	33.9	6.48	11.1	32.8	6.19	11.2	31.7	5.90	11.3	29.5	5.35	11.5
		60	38.3	7.43	11.3	36.1	6.82	11.5	33.9	6.24	11.7	32.8	5.96	11.8	31.7	5.69	11.9	29.5	5.17	12.1
		96	38.3	6.74	12.6	36.1	6.20	12.8	33.9	5.69	12.9	32.8	5.44	13.0	31.7	5.20	13.0	29.5	4.73	13.1
		120	38.3	6.53	13.1	36.1	6.01	13.2	33.9	5.52	13.3	32.8	5.28	13.4	31.7	5.04	13.4	29.5	4.60	13.5
	20	50	38.3	6.00	15.4	36.1	5.53	15.6	33.9	5.08	15.9	32.8	4.87	16.0	31.7	4.66	16.1	29.5	4.26	16.4
		60	38.3	5.94	16.1	36.1	5.48	16.3	33.9	5.04	16.6	32.8	4.82	16.7	31.7	4.62	16.8	29.5	4.22	17.0
		96	38.3	5.79	17.6	36.1	5.34	17.7	33.9	4.92	17.8	32.8	4.71	17.9	31.7	4.51	18.0	29.5	4.12	18.1
		120	38.3	5.74	18.1	36.1	5.30	18.2	33.9	4.88	18.3	32.8	4.67	18.3	31.7	4.48	18.4	29.5	4.09	18.5
25	50	38.3	5.22	20.3	36.1	4.83	20.5	33.9	4.46	20.8	32.8	4.28	20.9	31.7	4.10	21.0	29.5	3.76	21.3	
	60	38.3	5.17	21.0	36.1	4.79	21.3	33.9	4.42	21.5	32.8	4.24	21.6	31.7	4.07	21.7	29.5	3.73	21.9	
	96	38.3	5.05	22.5	36.1	4.68	22.7	33.9	4.32	22.8	32.8	4.15	22.9	31.7	3.98	22.9	29.5	3.65	23.1	
	120	38.3	5.01	23.0	36.1	4.64	23.1	33.9	4.29	23.2	32.8	4.12	23.3	31.7	3.95	23.3	29.5	3.63	23.5	
30	50	38.3	4.62	25.2	36.1	4.29	25.4	33.9	3.97	25.7	32.8	3.82	25.8	31.7	3.67	26.0	29.5	3.38	26.3	
	60	38.3	4.58	26.0	36.1	4.25	26.2	33.9	3.94	26.4	32.8	3.79	26.5	31.7	3.64	26.6	29.5	3.35	26.9	
	96	38.3	4.47	27.5	36.1	4.16	27.6	33.9	3.85	27.8	32.8	3.71	27.8	31.7	3.56	27.9	29.5	3.28	28.0	
	120	38.3	4.44	28.0	36.1	4.13	28.1	33.9	3.83	28.2	32.8	3.68	28.3	31.7	3.54	28.3	29.5	3.26	28.4	
35	50	38.3	4.15	30.1	36.1	3.86	30.4	33.9	3.59	30.7	32.8	3.45	30.8	31.7	3.32	30.9	29.5	3.07	31.2	
	60	38.3	4.11	30.9	36.1	3.83	31.1	33.9	3.56	31.4	32.8	3.43	31.5	31.7	3.30	31.6	29.5	3.05	31.8	
	96	38.3	4.02	32.4	36.1	3.74	32.6	33.9	3.48	32.7	32.8	3.36	32.8	31.7	3.23	32.9	29.5	2.99	33.0	
	120	38.3	3.99	33.0	36.1	3.72	33.1	33.9	3.46	33.2	32.8	3.33	33.2	31.7	3.21	33.3	29.5	2.97	33.4	
40	50	38.3	4.04	35.1	36.1	3.76	35.4	33.9	3.50	35.6	32.8	3.37	35.8	31.7	3.24	35.9	29.5	3.00	36.2	
	60	38.3	4.01	35.9	36.1	3.73	36.1	33.9	3.47	36.4	32.8	3.34	36.5	31.7	3.22	36.6	29.5	2.97	36.8	
	96	38.3	3.92	37.4	36.1	3.65	37.6	33.9	3.40	37.7	32.8	3.27	37.8	31.7	3.15	37.9	29.5	2.92	38.0	
	120	38.3	3.89	37.9	36.1	3.63	38.1	33.9	3.37	38.2										



# 4 Capacity tables

## 4 - 3 Heating capacity tables

### RWEYQ20PY1

TC: Total Capacity: kW ; PI: Power Input: kW (compressor + outdoor fan motor) ; OWT: Outlet Water Temperatur: °C

Combination (%)	Inlet Water Temp. (°C)	Water Volume L/min	Indoor air temperature: °CDB																	
			16.0			18.0			20.0			21.0			22.0			24.0		
			TC kW	PI kW	OWT °C	TC kW	PI kW	OWT °C	TC kW	PI kW	OWT °C	TC kW	PI kW	OWT °C	TC kW	PI kW	OWT °C	TC kW	PI kW	OWT °C
130	10	50	29.6	7.80	6.88	30.8	7.16	6.61	31.9	6.62	6.38	32.4	6.40	6.28	32.8	6.20	6.19	33.5	5.90	6.05
		60	36.7	7.79	6.54	37.6	7.37	6.39	38.3	7.05	6.27	38.6	6.94	6.22	38.8	6.84	6.18	39.2	6.74	6.13
		96	50.9	9.21	6.89	51.1	9.20	6.87	51.2	9.28	6.87	51.2	9.35	6.87	51.2	9.44	6.88	51.0	9.7	6.91
		120	53.7	9.57	7.37	53.8	9.63	7.36	53.8	9.76	7.37	53.7	9.86	7.38	53.6	9.98	7.39	53.4	10.3	7.43
	15	50	53.5	9.46	8.69	53.6	9.52	8.68	53.6	9.65	8.70	53.6	9.8	8.72	53.5	9.9	8.75	53.3	10.2	8.82
		60	55.1	9.49	9.56	55.1	9.58	9.56	55.1	9.74	9.59	55.0	9.9	9.61	54.9	10.0	9.64	54.6	10.3	9.71
		96	59.0	9.63	11.3	59.0	9.79	11.3	58.8	10.1	11.4	58.7	10.2	11.4	58.5	10.3	11.4	58.1	10.7	11.5
		120	60.4	9.70	12.0	60.3	9.88	12.0	60.1	10.1	12.0	59.9	10.3	12.0	59.8	10.4	12.1	59.3	10.8	12.1
	20	50	64.1	9.91	12.2	63.9	10.1	12.3	63.6	10.4	12.4	63.4	10.6	12.4	63.2	10.8	12.5	62.6	11.2	12.6
		60	64.6	9.94	13.5	64.3	10.2	13.5	64.0	10.5	13.6	63.8	10.6	13.7	63.6	10.8	13.7	63.0	11.2	13.8
		96	65.7	10.0	15.8	65.5	10.3	15.9	65.1	10.6	15.9	64.9	10.7	16.0	64.6	10.9	16.0	64.1	11.3	16.1
		120	66.1	10.0	16.7	65.8	10.3	16.7	65.5	10.6	16.7	65.2	10.8	16.7	65.0	11.0	16.8	64.4	11.4	16.8
25	50	70.7	10.4	16.4	70.3	10.7	16.5	69.8	11.0	16.6	69.5	11.2	16.6	69.2	11.4	16.7	68.6	11.9	16.9	
	60	71.1	10.4	17.8	70.7	10.7	17.8	70.2	11.1	17.9	70.0	11.3	18.0	69.7	11.5	18.1	69.0	11.9	18.2	
	96	72.3	10.5	20.4	71.9	10.8	20.4	71.4	11.2	20.5	71.1	11.4	20.5	70.8	11.6	20.6	70.1	12.0	20.7	
	120	72.7	10.6	21.3	72.3	10.9	21.3	71.8	11.2	21.4	71.5	11.4	21.4	71.2	11.6	21.4	70.5	12.1	21.5	
30	50	77.1	10.9	20.5	76.6	11.3	20.6	75.9	11.7	20.8	75.6	11.9	20.9	75.2	12.1	20.9	74.4	11.3	21.4	
	60	77.6	11.0	22.0	77.0	11.3	22.2	76.4	11.7	22.3	76.1	11.9	22.3	75.7	12.1	22.4	74.4	11.2	22.8	
	96	78.9	11.1	24.9	78.3	11.4	25.0	77.7	11.8	25.1	77.3	12.0	25.1	76.6	12.1	25.2	74.4	10.9	25.5	
	120	79.3	11.1	25.9	78.7	11.5	26.0	78.1	11.9	26.0	77.7	12.1	26.1	76.6	12.0	26.1	74.4	10.8	26.4	
35	50	83.5	11.5	24.7	82.8	11.9	24.8	81.9	12.2	25.0	81.3	11.6	25.3	80.6	11.0	25.6	79.4	10.8	26.2	
	60	84.0	11.6	26.3	83.4	11.9	26.5	81.9	12.1	26.7	81.3	11.5	26.9	80.6	10.9	27.1	79.4	10.7	27.6	
	96	85.4	11.7	29.5	84.7	12.1	29.6	81.9	11.7	29.8	81.3	11.2	29.9	80.6	10.6	30.1	79.4	10.5	30.4	
	120	85.8	11.7	30.6	85.1	12.1	30.6	81.9	11.6	30.8	81.3	11.1	30.9	80.6	10.5	31.1	79.4	10.4	31.3	
40	50	89.9	12.1	28.9	87.2	11.9	29.2	81.9	11.7	29.9	81.3	11.2	30.2	80.6	10.6	30.5	79.4	10.5	31.1	
	60	90.4	12.2	30.7	87.2	11.7	31.0	81.9	11.6	31.6	81.3	11.0	31.9	80.6	10.5	32.1	79.4	10.4	32.6	
	96	91.9	12.3	34.1	87.2	11.4	34.3	81.9	11.3	34.7	81.3	10.7	34.9	80.6	10.2	35.0	79.4	10.2	35.4	
	120	92.4	12.3	35.2	87.2	11.3	35.5	81.9	11.2	35.8	81.3	10.7	35.9	80.6	10.1	36.0	79.4	10.1	36.3	
45	50	92.4	12.0	33.5	87.2	11.6	34.2	81.9	11.3	34.9	81.3	10.8	35.2	80.6	10.3	35.5	79.4	10.2	36.1	
	60	92.4	11.9	35.4	87.2	11.4	36.0	81.9	11.2	36.6	81.3	10.7	36.8	80.6	10.2	37.1	79.4	10.1	37.6	
	96	92.4	11.6	39.0	87.2	11.1	39.3	81.9	10.9	39.7	81.3	10.4	39.9	80.6	10.1	40.0	79.4	10.0	40.3	
	120	92.4	11.5	40.2	87.2	11.0	40.5	81.9	10.8	40.8	81.3	10.3	40.9	80.6	10.1	41.0	79.4	10.0	41.3	
120	10	50	31.2	6.95	6.52	32.1	6.49	6.32	32.9	6.13	6.16	33.2	5.99	6.09	33.5	5.87	6.04	34.0	5.7	5.95
		60	37.8	7.25	6.35	38.4	6.99	6.24	38.9	6.81	6.17	39.1	6.76	6.14	39.2	6.73	6.12	39.4	6.7	6.10
		96	51.2	9.22	6.87	51.2	9.31	6.87	51.2	9.48	6.89	51.1	9.59	6.90	51.0	9.7	6.92	50.7	10.0	6.96
		120	53.8	9.67	7.37	53.7	9.82	7.38	53.6	10.03	7.40	53.5	10.17	7.41	53.3	10.3	7.43	53.0	10.7	7.47
	15	50	53.6	9.56	8.68	53.6	9.70	8.71	53.5	9.9	8.76	53.4	10.1	8.79	53.2	10.2	8.83	52.9	10.5	8.93
		60	55.1	9.63	9.57	55.0	9.8	9.60	54.8	10.0	9.65	54.7	10.2	9.68	54.6	10.3	9.72	54.2	10.7	9.81
		96	58.9	9.86	11.3	58.7	10.1	11.4	58.4	10.4	11.4	58.2	10.5	11.4	58.0	10.7	11.5	57.6	11.1	11.5
		120	60.2	9.96	12.0	60.0	10.2	12.0	59.7	10.5	12.1	59.5	10.7	12.1	59.3	10.9	12.1	58.8	11.3	12.2
	20	50	63.8	10.2	12.3	63.5	10.5	12.4	63.1	10.9	12.5	62.8	11.0	12.6	62.6	11.2	12.6	62.0	11.7	12.8
		60	64.2	10.3	13.6	63.9	10.6	13.6	63.5	10.9	13.7	63.2	11.1	13.8	63.0	11.3	13.8	62.4	11.7	13.9
		96	65.3	10.4	15.9	65.0	10.7	15.9	64.5	11.0	16.0	64.3	11.2	16.0	64.0	11.4	16.1	63.4	11.8	16.2
		120	65.7	10.4	16.7	65.3	10.7	16.7	64.9	11.0	16.8	64.6	11.2	16.8	64.3	11.4	16.8	63.7	11.9	16.9
25	50	70.1	10.8	16.5	69.6	11.1	16.6	69.1	11.5	16.7	68.8	11.7	16.8	68.5	11.9	16.9	65.9	11.5	17.2	
	60	70.6	10.8	17.9	70.1	11.2	18.0	69.5	11.5	18.1	69.2	11.7	18.1	68.9	12.0	18.2	65.9	11.4	18.5	
	96	71.7	11.0	20.5	71.2	11.3	20.5	70.7	11.7	20.6	70.4	11.9	20.6	70.0	12.1	20.7	65.9	11.1	20.9	
	120	72.1	11.0	21.3	71.6	11.3	21.4	71.0	11.7	21.5	70.7	11.9	21.5	70.4	12.1	21.5	65.9	11.0	21.7	
30	50	76.3	11.4	20.7	75.8	11.8	20.8	75.1	12.2	21.0	73.2	11.7	21.2	70.7	11.1	21.5	65.9	10.0	22.0	
	60	76.8	11.5	22.2	76.2	11.8	22.3	75.6	12.2	22.4	73.2	11.6	22.6	70.7	11.0	22.9	65.9	9.89	23.3	
	96	78.1	11.6	25.0	77.5	11.9	25.1	75.6	11.9	25.2	73.2	11.3	25.4	70.7	10.7	25.5	65.9	9.62	25.8	
	120	78.5	11.6	26.0	77.9	12.0	26.1	75.6	11.8	26.2	73.2	11.2	26.3	70.7	10.6	26.4	65.9	9.53	26.6	
35	50	82.6	12.0	24.9	80.5	11.9	25.2	75.6	10.8	25.7	73.2	10.3	26.0	70.7	9.76	26.3	65.9	8.78	28.8	
	60	83.1	12.1	26.5	80.5	11.7	26.8	75.6	10.7	27.2	73.2	10.2	27.5	70.7	9.65	27.7	65.9	8.69	28.2	
	96	84.5	12.2	29.6	80.5	11.4	29.8	75.6	10.4	30.1	73.2	9.88	30.3	70.7	9.39	30.4	65.9	8.46	30.7	
	120	84.9	12.2	30.7	80.5	11.3	30.9	75.6	10.3	31.1	73.2	9.79	31.2	70.7	9.31	31.3	65.9	8.39	31.6	
40	50	85.3	11.5	29.4	80.5	11.4	30.1	75.6	10.4	30.7	73.2	9.91	30.9	70.7	9.43	31.2	65.9	8.51	31.8	
	60	85.3	11.3	31.2	80.5	11.3	31.7	75.6	10.3	32.2	73.2	9.81	32.4	70.7	9.33	32.7	65.9	8.43	33.1	
	96	85.3	11.0	34.5	80.5	11.0	34.8	75.6	10.0	35.1	73.2	9.54	35.3	70.7	9.09	35.4	65.9	8.21	35.7	
	120	85.3	10.9	35.6	80.5	10.9	3													



# 4 Capacity tables

## 4 - 3 Heating capacity tables

RWEYQ20PY1																				
TC: Total Capacity: kW ; PI: Power Input: kW (compressor + outdoor fan motor) ; OWT: Outlet Water Temperatur: °C																				
Combination (%)	Inlet Water Temp. (°C)	Water Volume L/min	Indoor air temperature: °CDB																	
			16.0			18.0			20.0			21.0			22.0			24.0		
			TC kW	PI kW	OWT °C	TC kW	PI kW	OWT °C	TC kW	PI kW	OWT °C	TC kW	PI kW	OWT °C	TC kW	PI kW	OWT °C	TC kW	PI kW	OWT °C
100	10	50	33.5	5.88	6.04	33.9	5.7	5.96	34.2	5.6	5.91	34.3	5.6	5.89	34.4	5.6	5.88	34.4	5.7	5.88
		60	39.2	6.73	6.12	39.3	6.7	6.10	39.4	6.8	6.10	39.4	6.8	6.11	39.4	6.9	6.12	39.2	7.1	6.16
		96	51.0	9.7	6.92	50.8	9.9	6.95	50.5	10.2	7.00	50.3	10.4	7.02	50.1	10.6	7.05	49.7	11.0	7.11
		120	53.4	10.3	7.43	53.1	10.6	7.46	52.7	10.9	7.50	52.5	11.1	7.53	52.3	11.3	7.55	51.8	11.7	7.60
	15	50	53.2	10.2	8.83	53.0	10.5	8.91	52.6	10.8	9.00	52.4	11.0	9.06	52.2	11.2	9.12	51.7	11.6	9.25
		60	54.6	10.3	9.71	54.3	10.6	9.78	53.9	10.9	9.87	53.7	11.1	9.92	53.5	11.3	9.97	53.0	11.8	10.08
		96	58.1	10.7	11.5	57.7	11.0	11.5	57.2	11.4	11.6	57.0	11.6	11.6	56.7	11.8	11.6	54.9	11.6	11.8
		120	59.3	10.8	12.1	58.9	11.2	12.2	58.4	11.5	12.2	58.2	11.7	12.2	57.9	11.9	12.3	54.9	11.2	12.4
	20	50	62.5	11.2	12.6	62.1	11.5	12.7	61.6	11.9	12.9	61.0	12.0	13.0	59.0	11.4	13.2	54.9	10.2	13.6
		60	63.0	11.2	13.8	62.5	11.6	13.9	62.0	12.0	14.0	61.0	11.8	14.1	59.0	11.2	14.3	54.9	10.1	14.6
		96	64.1	11.4	16.1	63.6	11.7	16.1	63.0	12.1	16.2	61.0	11.5	16.3	59.0	10.9	16.4	54.9	9.80	16.6
		120	64.4	11.4	16.8	63.9	11.8	16.9	63.0	12.0	17.0	61.0	11.4	17.0	59.0	10.8	17.1	54.9	9.71	17.3
25	50	68.5	11.9	16.9	67.0	11.9	17.1	63.0	10.8	17.5	61.0	10.2	17.7	59.0	9.73	17.9	54.9	8.76	18.4	
	60	69.0	11.9	18.2	67.0	11.7	18.4	63.0	10.6	18.7	61.0	10.1	18.9	59.0	9.63	19.1	54.9	8.67	19.5	
	96	70.1	12.0	20.7	67.0	11.4	20.8	63.0	10.4	21.1	61.0	9.85	21.2	59.0	9.37	21.3	54.9	8.44	21.5	
	120	70.4	12.1	21.5	67.0	11.3	21.7	63.0	10.3	21.9	61.0	9.77	21.9	59.0	9.29	22.0	54.9	8.36	22.2	
30	50	71.1	11.2	21.4	67.0	10.3	21.9	63.0	9.35	22.3	61.0	8.91	22.5	59.0	8.48	22.8	54.9	7.65	23.2	
	60	71.1	11.1	22.8	67.0	10.2	23.2	63.0	9.25	23.6	61.0	8.81	23.8	59.0	8.39	24.0	54.9	7.57	24.3	
	96	71.1	10.8	25.5	67.0	9.88	25.7	63.0	9.00	26.0	61.0	8.58	26.1	59.0	8.17	26.2	54.9	7.38	26.5	
	120	71.1	10.7	26.4	67.0	9.79	26.6	63.0	8.92	26.8	61.0	8.51	26.9	59.0	8.10	27.0	54.9	7.32	27.2	
35	50	71.1	9.83	26.2	67.0	9.01	26.7	63.0	8.23	27.2	61.0	7.85	27.4	59.0	7.48	27.6	54.9	6.78	28.1	
	60	71.1	9.73	27.7	67.0	8.92	28.1	63.0	8.14	28.4	61.0	7.77	28.6	59.0	7.41	28.8	54.9	6.71	29.2	
	96	71.1	9.46	30.4	67.0	8.68	30.6	63.0	7.93	30.9	61.0	7.57	31.0	59.0	7.22	31.1	54.9	6.54	31.4	
	120	71.1	9.38	31.3	67.0	8.60	31.5	63.0	7.86	31.7	61.0	7.51	31.8	59.0	7.16	31.9	54.9	6.49	32.1	
40	50	71.1	9.50	31.2	67.0	8.73	31.6	63.0	7.99	32.1	61.0	7.63	32.4	59.0	7.29	32.6	54.9	6.61	33.1	
	60	71.1	9.40	32.6	67.0	8.64	33.0	63.0	7.91	33.4	61.0	7.56	33.6	59.0	7.22	33.8	54.9	6.54	34.2	
	96	71.1	9.15	35.4	67.0	8.41	35.6	63.0	7.71	35.9	61.0	7.37	36.0	59.0	7.04	36.1	54.9	6.38	36.4	
	120	71.1	9.08	36.3	67.0	8.34	36.5	63.0	7.65	36.7	61.0	7.31	36.8	59.0	6.98	36.9	54.9	6.33	37.1	
45	50	71.1	9.21	36.1	67.0	8.48	36.6	63.0	7.79	37.1	61.0	7.44	37.3	59.0	7.11	37.6	54.9	6.44	38.1	
	60	71.1	9.12	37.6	67.0	8.40	38.0	63.0	7.71	38.4	61.0	7.37	38.6	59.0	7.04	38.8	54.9	6.38	39.2	
	96	71.1	8.89	40.4	67.0	8.19	40.6	63.0	7.52	40.9	61.0	7.19	41.0	59.0	6.86	41.1	54.9	6.22	41.4	
	120	71.1	8.81	41.3	67.0	8.12	41.5	63.0	7.46	41.7	61.0	7.13	41.8	59.0	6.81	41.9	54.9	6.17	42.1	
90	10	50	34.1	5.7	5.92	34.3	5.6	5.89	34.4	5.6	5.88	34.4	5.7	5.88	34.4	5.7	5.89	34.3	5.9	5.92
		60	39.4	6.8	6.10	39.4	6.9	6.11	39.3	7.0	6.14	39.2	7.1	6.16	39.2	7.2	6.18	38.9	7.4	6.24
		96	50.6	10.2	6.98	50.3	10.5	7.03	49.9	10.8	7.08	49.7	11.0	7.11	49.5	11.2	7.14	49.0	11.6	7.21
		120	52.8	10.8	7.49	52.5	11.2	7.53	52.1	11.5	7.58	51.8	11.7	7.60	51.6	11.9	7.63	49.4	11.4	7.73
	15	50	52.7	10.7	8.98	52.4	11.0	9.08	52.0	11.4	9.19	51.7	11.6	9.25	51.5	11.8	9.3	49.4	11.4	9.5
		60	54.0	10.9	9.85	53.6	11.2	9.93	53.2	11.6	10.03	52.9	11.8	10.08	52.7	12.0	10.1	49.4	10.9	10.4
		96	57.4	11.3	11.6	56.9	11.6	11.6	56.4	12.0	11.7	54.9	11.6	11.8	53.1	11.0	11.9	49.4	9.85	12.0
		120	58.5	11.4	12.2	58.1	11.8	12.2	56.7	11.7	12.3	54.9	11.2	12.4	53.1	10.6	12.5	49.4	9.52	12.6
	20	50	61.7	11.8	12.8	60.3	11.8	13.0	56.7	10.7	13.4	54.9	10.2	13.6	53.1	9.67	13.8	49.4	8.70	14.2
		60	62.1	11.9	14.0	60.3	11.6	14.2	56.7	10.6	14.5	54.9	10.1	14.6	53.1	9.57	14.8	49.4	8.61	15.1
		96	63.1	12.0	16.2	60.3	11.3	16.3	56.7	10.3	16.5	54.9	9.79	16.6	53.1	9.31	16.7	49.4	8.38	16.9
		120	63.5	12.0	16.9	60.3	11.2	17.1	56.7	10.2	17.2	54.9	9.70	17.3	53.1	9.23	17.4	49.4	8.31	17.5
25	50	64.0	11.0	17.4	60.3	10.1	17.8	56.7	9.18	18.2	54.9	8.75	18.4	53.1	8.33	18.6	49.4	7.52	19.0	
	60	64.0	10.9	18.7	60.3	9.97	19.0	56.7	9.09	19.3	54.9	8.66	19.5	53.1	8.24	19.6	49.4	7.45	20.0	
	96	64.0	10.6	21.0	60.3	9.70	21.2	56.7	8.84	21.4	54.9	8.43	21.5	53.1	8.03	21.6	49.4	7.26	21.9	
	120	64.0	10.5	21.8	60.3	9.62	22.0	56.7	8.77	22.1	54.9	8.36	22.2	53.1	7.96	22.3	49.4	7.20	22.5	
30	50	64.0	9.57	22.2	60.3	8.77	22.6	56.7	8.01	23.0	54.9	7.65	23.2	53.1	7.29	23.4	49.4	6.61	23.9	
	60	64.0	9.46	23.5	60.3	8.68	23.8	56.7	7.93	24.2	54.9	7.57	24.4	53.1	7.22	24.5	49.4	6.54	24.9	
	96	64.0	9.21	25.9	60.3	8.45	26.1	56.7	7.72	26.3	54.9	7.38	26.5	53.1	7.04	26.6	49.4	6.38	26.8	
	120	64.0	9.13	26.7	60.3	8.38	26.9	56.7	7.66	27.1	54.9	7.31	27.2	53.1	6.98	27.2	49.4	6.33	27.4	
35	50	64.0	8.42	27.0	60.3	7.74	27.5	56.7	7.09	27.9	54.9	6.77	28.1	53.1	6.47	28.3	49.4	5.88	28.8	
	60	64.0	8.33	28.4	60.3	7.66	28.7	56.7	7.02	29.1	54.9	6.71	29.2	53.1	6.41	29.4	49.4	5.88	29.8	
	96	64.0	8.11	30.8	60.3	7.46	31.1	56.7	6.84	31.3	54.9	6.54	31.4	53.1	6.25	31.5	49.4	5.69	31.7	
	120	64.0	8.04	31.7	60.3	7.40	31.8	56.7	6.78	32.0	54.9	6.49	32.1	53.1	6.20	32.2	49.4	5.64	32.4	
40	50	64.0	8.17	32.0	60.3	7.53	32.4	56.7	6.91	32.9	54.9	6.60	33.1	53.1	6.31	33.3	49.4	5.73	33.7	
	60	64.0	8.08	33.3	60.3	7.45	33.7	56.7	6.84	34.0	54.9	6.54	34.2	53.1	6.25	34.4	49.4	5.68	34.8	
	96	64.0	7.88	35.8	60.3	7.27	36.0	56.7	6.67	36.3	54.9	6.38	36.4	53.1	6.09	36.5	49.4	5.55	36.7	
	120	64.0	7.81	36.6	60.3	7.21	36.8	56.7	6.61	37.0	54.9	6.33								

# 4 Capacity tables

## 4 - 3 Heating capacity tables

### RWEYQ20PY1

TC: Total Capacity: kW ; PI: Power Input: kW (compressor + outdoor fan motor) ; OWT: Outlet Water Temperatur: °C

Combination (%)	Inlet Water Temp. (°C)	Water Volume L/min	Indoor air temperature: °CDB																	
			16.0			18.0			20.0			21.0			22.0			24.0		
			TC kW	PI kW	OWT °C	TC kW	PI kW	OWT °C	TC kW	PI kW	OWT °C	TC kW	PI kW	OWT °C	TC kW	PI kW	OWT °C	TC kW	PI kW	OWT °C
70	10	50	34.4	5.8	5.91	34.2	6.0	5.95	34.1	6.1	6.00	34.0	6.24	6.03	33.9	6.35	6.06	33.6	6.58	6.13
		60	39.0	7.4	6.23	38.7	7.6	6.28	38.4	7.9	6.35	38.3	7.99	6.38	38.1	8.13	6.42	37.7	8.44	6.50
		96	49.0	11.6	7.20	46.9	10.9	7.31	44.1	9.95	7.45	42.7	9.47	7.52	41.3	9.00	7.59	38.4	8.11	7.74
		120	49.8	11.6	7.72	46.9	10.6	7.83	44.1	9.62	7.94	42.7	9.16	8.00	41.3	8.71	8.06	38.4	7.86	8.17
	15	50	49.8	11.5	9.51	46.9	10.49	9.78	44.1	9.55	10.05	42.7	9.09	10.2	41.3	8.65	10.3	38.4	7.80	10.6
		60	49.8	11.0	10.4	46.9	10.08	10.6	44.1	9.18	10.8	42.7	8.75	10.9	41.3	8.32	11.1	38.4	7.51	11.3
		96	49.8	9.95	12.0	46.9	9.12	12.2	44.1	8.32	12.3	42.7	7.94	12.4	41.3	7.56	12.5	38.4	6.84	12.6
		120	49.8	9.62	12.6	46.9	8.82	12.7	44.1	8.05	12.8	42.7	7.68	12.9	41.3	7.32	13.0	38.4	6.63	13.1
	20	50	49.8	8.79	14.1	46.9	8.07	14.4	44.1	7.39	14.7	42.7	7.06	14.9	41.3	6.73	15.1	38.4	6.11	15.4
		60	49.8	8.70	15.1	46.9	7.99	15.3	44.1	7.31	15.6	42.7	6.99	15.7	41.3	6.67	15.9	38.4	6.05	16.1
		96	49.8	8.47	16.9	46.9	7.78	17.1	44.1	7.13	17.2	42.7	6.81	17.3	41.3	6.50	17.4	38.4	5.91	17.6
		120	49.8	8.40	17.5	46.9	7.72	17.7	44.1	7.07	17.8	42.7	6.75	17.9	41.3	6.45	17.9	38.4	5.86	18.1
25	50	49.8	7.60	19.0	46.9	7.00	19.3	44.1	6.42	19.6	42.7	6.15	19.8	41.3	5.88	19.9	38.4	5.36	20.3	
	60	49.8	7.52	20.0	46.9	6.93	20.2	44.1	6.36	20.5	42.7	6.09	20.6	41.3	5.82	20.8	38.4	5.31	21.0	
	96	49.8	7.33	21.8	46.9	6.76	22.0	44.1	6.21	22.2	42.7	5.94	22.3	41.3	5.68	22.3	38.4	5.19	22.5	
	120	49.8	7.27	22.5	46.9	6.70	22.6	44.1	6.16	22.7	42.7	5.90	22.8	41.3	5.64	22.9	38.4	5.15	23.0	
30	50	49.8	6.67	23.8	46.9	6.16	24.2	44.1	5.67	24.5	42.7	5.44	24.7	41.3	5.21	24.8	38.4	4.77	25.2	
	60	49.8	6.61	24.8	46.9	6.10	25.1	44.1	5.62	25.4	42.7	5.39	25.5	41.3	5.16	25.7	38.4	4.73	26.0	
	96	49.8	6.44	26.8	46.9	5.96	26.9	44.1	5.49	27.1	42.7	5.27	27.2	41.3	5.05	27.3	38.4	4.62	27.5	
	120	49.8	6.39	27.4	46.9	5.91	27.6	44.1	5.45	27.7	42.7	5.23	27.8	41.3	5.01	27.8	38.4	4.59	28.0	
35	50	49.8	5.94	28.7	46.9	5.50	29.1	44.1	5.08	29.4	42.7	4.88	29.6	41.3	4.68	29.8	38.4	4.30	30.1	
	60	49.8	5.88	29.8	46.9	5.45	30.0	44.1	5.04	30.3	42.7	4.84	30.5	41.3	4.64	30.6	38.4	4.26	30.9	
	96	49.8	5.74	31.7	46.9	5.32	31.9	44.1	4.92	32.1	42.7	4.73	32.2	41.3	4.54	32.3	38.4	4.17	32.4	
	120	49.8	5.70	32.4	46.9	5.28	32.5	44.1	4.89	32.7	42.7	4.69	32.7	41.3	4.51	32.8	38.4	4.15	33.0	
40	50	49.8	5.79	33.7	46.9	5.36	34.0	44.1	4.95	34.4	42.7	4.76	34.6	41.3	4.56	34.7	38.4	4.19	35.1	
	60	49.8	5.73	34.7	46.9	5.31	35.0	44.1	4.91	35.3	42.7	4.71	35.5	41.3	4.52	35.6	38.4	4.16	35.9	
	96	49.8	5.60	36.7	46.9	5.19	36.9	44.1	4.80	37.1	42.7	4.61	37.2	41.3	4.43	37.3	38.4	4.07	37.4	
	120	49.8	5.55	37.4	46.9	5.15	37.5	44.1	4.76	37.7	42.7	4.58	37.7	41.3	4.39	37.8	38.4	4.04	37.9	
45	50	49.8	5.64	38.7	46.9	5.23	39.0	44.1	4.83	39.4	42.7	4.64	39.5	41.3	4.45	39.7	38.4	4.09	40.1	
	60	49.8	5.59	39.7	46.9	5.18	40.0	44.1	4.79	40.3	42.7	4.60	40.5	41.3	4.41	40.6	38.4	4.05	40.9	
	96	49.8	5.46	41.7	46.9	5.06	41.9	44.1	4.68	42.1	42.7	4.49	42.2	41.3	4.32	42.2	38.4	3.97	42.4	
	120	49.8	5.42	42.4	46.9	5.02	42.5	44.1	4.64	42.6	42.7	4.46	42.7	41.3	4.28	42.8	38.4	3.94	42.9	
60	10	50	34.0	6.24	6.03	33.8	6.43	6.08	33.5	6.64	6.15	33.4	6.75	6.19	33.2	6.88	6.22	32.9	7.13	6.31
		60	38.3	7.99	6.38	38.0	8.24	6.45	37.7	8.51	6.52	36.6	8.17	6.61	35.4	7.75	6.70	32.9	6.96	6.90
		96	42.7	9.46	7.52	40.2	8.67	7.64	37.8	7.92	7.77	36.6	7.55	7.83	35.4	7.20	7.90	32.9	6.52	8.03
		120	42.7	9.15	8.00	40.2	8.40	8.10	37.8	7.68	8.20	36.6	7.33	8.25	35.4	6.99	8.31	32.9	6.34	8.41
	15	50	42.7	9.09	10.2	40.2	8.34	10.4	37.8	7.62	10.7	36.6	7.28	10.8	35.4	6.94	10.9	32.9	6.29	11.2
		60	42.7	8.74	10.9	40.2	8.02	11.2	37.8	7.34	11.4	36.6	7.01	11.5	35.4	6.69	11.6	32.9	6.07	11.8
		96	42.7	7.93	12.4	40.2	7.29	12.5	37.8	6.69	12.7	36.6	6.40	12.7	35.4	6.11	12.8	32.9	5.56	13.0
		120	42.7	7.68	12.9	40.2	7.07	13.0	37.8	6.49	13.1	36.6	6.20	13.2	35.4	5.93	13.2	32.9	5.40	13.4
	20	50	42.7	7.05	14.9	40.2	6.50	15.2	37.8	5.98	15.4	36.6	5.73	15.6	35.4	5.48	15.7	32.9	5.01	16.0
		60	42.7	6.98	15.7	40.2	6.44	16.0	37.8	5.92	16.2	36.6	5.67	16.3	35.4	5.43	16.4	32.9	4.96	16.7
		96	42.7	6.80	17.3	40.2	6.28	17.5	37.8	5.78	17.6	36.6	5.54	17.7	35.4	5.30	17.8	32.9	4.85	17.9
		120	42.7	6.75	17.9	40.2	6.23	18.0	37.8	5.74	18.1	36.6	5.50	18.1	35.4	5.26	18.2	32.9	4.81	18.3
25	50	42.7	6.14	19.8	40.2	5.68	20.0	37.8	5.24	20.3	36.6	5.03	20.5	35.4	4.83	20.6	32.9	4.43	20.9	
	60	42.7	6.08	20.6	40.2	5.63	20.9	37.8	5.20	21.1	36.6	4.99	21.2	35.4	4.78	21.3	32.9	4.39	21.6	
	96	42.7	5.94	22.3	40.2	5.50	22.4	37.8	5.08	22.6	36.6	4.88	22.6	35.4	4.68	22.7	32.9	4.30	22.9	
	120	42.7	5.89	22.8	40.2	5.46	22.9	37.8	5.04	23.0	36.6	4.84	23.1	35.4	4.64	23.2	32.9	4.27	23.3	
30	50	42.7	5.44	24.7	40.2	5.05	25.0	37.8	4.67	25.3	36.6	4.49	25.4	35.4	4.32	25.5	32.9	3.97	25.8	
	60	42.7	5.39	25.5	40.2	5.00	25.8	37.8	4.63	26.0	36.6	4.45	26.2	35.4	4.28	26.3	32.9	3.94	26.5	
	96	42.7	5.26	27.2	40.2	4.89	27.4	37.8	4.53	27.5	36.6	4.36	27.6	35.4	4.19	27.7	32.9	3.86	27.8	
	120	42.7	5.22	27.8	40.2	4.85	27.9	37.8	4.50	28.0	36.6	4.33	28.1	35.4	4.16	28.1	32.9	3.84	28.3	
35	50	42.7	4.87	29.6	40.2	4.54	29.9	37.8	4.22	30.2	36.6	4.06	30.3	35.4	3.91	30.5	32.9	3.62	30.8	
	60	42.7	4.83	30.5	40.2	4.50	30.7	37.8	4.18	31.0	36.6	4.03	31.1	35.4	3.88	31.2	32.9	3.59	31.5	
	96	42.7	4.72	32.2	40.2	4.40	32.3	37.8	4.10	32.5	36.6	3.95	32.6	35.4	3.80	32.6	32.9	3.52	32.8	
	120	42.7	4.69	32.7	40.2	4.37	32.9	37.8	4.07	33.0	36.6	3.92	33.1	35.4	3.78	33.1	32.9	3.50	33.2	
40	50	42.7	4.75	34.6	40.2	4.43	34.9	37.8	4.11	35.2	36.6	3.96	35.3	35.4	3.81	35.5	32.9	3.52	35.8	
	60	42.7	4.71	35.5	40.2	4.39	35.7	37.8	4.08	36.0	36.6	3.93	36.1	35.4	3.78	36.2	32.9	3.50	36.5	
	96	42.7	4.61	37.2	40.2	4.29	37.3	37.8	3.99	37.5	36.6	3.85	37.6	35.4	3.71	37.6	32.9	3.43	37.8	
	120	42.7	4.57	37.7	40.2	4.26														

# 4 Capacity tables

## 4 - 3 Heating capacity tables

RWEYQ24PY1																				
TC: Total Capacity: kW ; PI: Power Input: kW (compressor + outdoor fan motor) ; OWT: Outlet Water Temperatur: °C																				
Combination (%)	Inlet Water Temp. (°C)	Water Volume L/min	Indoor air temperature: °CDB																	
			16.0			18.0			20.0			21.0			22.0			24.0		
			TC kW	PI kW	OWT °C	TC kW	PI kW	OWT °C	TC kW	PI kW	OWT °C	TC kW	PI kW	OWT °C	TC kW	PI kW	OWT °C	TC kW	PI kW	OWT °C
130	10	50	35.2	8.20	7.42	36.7	7.52	7.21	38.0	7.0	7.04	38.5	6.7	6.96	39.0	6.5	6.90	39.8	6.2	6.79
		60	43.7	8.19	7.17	44.7	7.75	7.05	45.6	7.4	6.96	45.9	7.3	6.93	46.2	7.2	6.89	46.6	7.1	6.85
		96	60.6	9.68	7.47	60.9	9.67	7.45	61.0	9.8	7.45	61.0	9.8	7.45	60.9	9.9	7.46	60.7	10.2	7.48
		120	63.9	10.06	7.86	64.0	10.12	7.85	64.0	10.3	7.86	63.9	10.4	7.87	63.8	10.5	7.88	63.6	10.8	7.90
	15	50	63.7	10.0	9.86	63.9	10.0	9.85	63.8	10.1	9.87	63.8	10.3	9.88	63.7	10.4	9.90	63.4	10.7	9.96
		60	65.5	10.0	10.6	65.6	10.1	10.6	65.6	10.2	10.6	65.5	10.4	10.6	65.3	10.5	10.6	65.0	10.8	10.7
		96	70.3	10.1	12.0	70.2	10.3	12.0	70.0	10.5	12.0	69.8	10.7	12.1	69.6	10.8	12.1	69.2	11.2	12.1
		120	71.9	10.2	12.5	71.8	10.4	12.6	71.5	10.6	12.6	71.4	10.8	12.6	71.1	11.0	12.6	70.6	11.4	12.6
	20	50	76.3	10.4	13.7	76.1	10.7	13.8	75.7	11.0	13.8	75.5	11.1	13.9	75.2	11.3	13.9	74.6	11.8	14.0
		60	76.9	10.4	14.7	76.6	10.7	14.8	76.2	11.0	14.8	76.0	11.2	14.8	75.7	11.4	14.9	75.1	11.8	15.0
		96	78.3	10.5	16.6	77.9	10.8	16.7	77.5	11.1	16.7	77.2	11.3	16.7	77.0	11.5	16.7	76.3	11.9	16.8
		120	78.7	10.6	17.3	78.4	10.8	17.3	77.9	11.1	17.3	77.7	11.3	17.4	77.4	11.5	17.4	76.7	12.0	17.4
25	50	84.7	10.9	18.0	83.6	11.2	18.1	83.1	11.6	18.2	82.7	11.8	18.2	82.4	12.0	18.3	81.6	12.5	18.4	
	60	84.7	11.0	19.1	84.2	11.3	19.2	83.6	11.6	19.3	83.3	11.8	19.3	82.9	12.1	19.4	82.1	12.5	19.5	
	96	86.1	11.1	21.3	85.6	11.4	21.3	85.0	11.8	21.4	84.7	12.0	21.4	84.3	12.2	21.4	83.5	12.6	21.5	
	120	86.6	11.1	22.0	86.1	11.4	22.0	85.5	11.8	22.1	85.1	12.0	22.1	84.7	12.2	22.1	83.9	12.7	22.2	
30	50	91.8	11.5	22.3	91.1	11.9	22.4	90.4	12.3	22.5	90.0	12.5	22.6	89.6	12.7	22.7	89.0	11.9	23.0	
	60	92.4	11.6	23.6	91.7	11.9	23.6	91.0	12.3	23.7	90.6	12.5	23.8	90.1	12.7	23.8	89.0	11.7	24.2	
	96	93.9	11.7	25.9	93.2	12.0	26.0	92.5	12.4	26.0	92.0	12.6	26.0	91.2	12.7	26.1	89.0	11.4	26.3	
	120	94.4	11.7	26.7	93.7	12.1	26.7	93.0	12.5	26.8	92.5	12.7	26.8	91.2	12.6	26.9	89.0	11.3	27.1	
35	50	99.4	12.1	26.7	98.6	12.5	26.8	97.5	12.8	26.9	94.4	12.2	27.1	91.2	11.6	27.4	85.0	10.4	27.9	
	60	100	12.2	28.0	99.2	12.6	28.1	97.5	12.7	28.2	94.4	12.1	28.4	91.2	11.5	28.6	85.0	10.3	29.1	
	96	102	12.3	30.6	101	12.7	30.6	97.5	12.3	30.8	94.4	11.7	30.9	91.2	11.1	31.0	85.0	10.0	31.3	
	120	102	12.3	31.4	101	12.7	31.5	97.5	12.2	31.6	94.4	11.6	31.7	91.2	11.0	31.8	85.0	9.92	32.0	
40	50	107	12.8	31.0	104	12.5	31.3	97.5	12.3	31.9	94.4	11.7	32.1	91.2	11.2	32.3	85.0	10.0	32.8	
	60	108	12.8	32.4	104	12.3	32.7	97.5	12.2	33.2	94.4	11.6	33.4	91.2	11.0	33.6	85.0	9.94	34.0	
	96	109	12.9	35.2	104	12.0	35.4	97.5	11.9	35.7	94.4	11.3	35.9	91.2	10.7	36.0	85.0	9.68	36.3	
	120	110	13.0	36.1	104	11.9	36.3	97.5	11.8	36.6	94.4	11.2	36.7	91.2	10.6	36.8	85.0	9.59	37.0	
45	50	110	12.7	35.7	104	12.1	36.2	97.5	11.9	36.8	94.4	11.3	37.1	91.2	10.8	37.3	85.0	9.74	37.8	
	60	110	12.5	37.2	104	12.0	37.7	97.5	11.8	38.2	94.4	11.2	38.4	91.2	10.7	38.6	85.0	9.64	39.0	
	96	110	12.2	40.1	104	11.7	40.4	97.5	11.5	40.7	94.4	10.9	40.8	91.2	10.4	41.0	85.0	9.39	41.2	
	120	110	12.1	41.1	104	11.6	41.3	97.5	11.4	41.6	94.4	10.9	41.6	91.2	10.3	41.8	85.0	9.32	42.0	
120	10	50	37.2	7.31	7.15	38.3	6.8	7.00	39.2	6.4	6.87	39.6	6.3	6.82	39.9	6.2	6.78	40.5	6.0	6.71
		60	45.1	7.62	7.02	45.8	7.3	6.94	46.3	7.2	6.88	46.5	7.1	6.86	46.7	7.1	6.85	46.9	7.1	6.83
		96	60.9	9.7	7.45	61.0	9.8	7.45	60.9	10.0	7.47	60.8	10.1	7.48	60.7	10.2	7.49	60.4	10.5	7.52
		120	64.0	10.2	7.86	64.0	10.3	7.86	63.8	10.5	7.88	63.7	10.7	7.89	63.5	10.9	7.90	63.1	11.2	7.93
	15	50	63.9	10.0	9.86	63.8	10.2	9.88	63.7	10.4	9.91	63.5	10.6	9.94	63.4	10.7	9.97	63.0	11.1	10.04
		60	65.6	10.1	10.6	65.5	10.3	10.6	65.3	10.6	10.6	65.1	10.7	10.7	65.0	10.9	10.7	64.5	11.3	10.8
		96	70.1	10.4	12.0	69.9	10.6	12.1	69.6	10.9	12.1	69.3	11.1	12.1	69.1	11.3	12.1	68.5	11.7	12.2
		120	71.7	10.5	12.6	71.4	10.7	12.6	71.1	11.0	12.6	70.8	11.2	12.6	70.6	11.4	12.6	70.0	11.8	12.7
	20	50	76.0	10.8	13.8	75.6	11.1	13.8	75.1	11.4	13.9	74.8	11.6	14.0	74.5	11.8	14.0	73.8	12.3	14.1
		60	76.5	10.8	14.8	76.1	11.1	14.8	75.6	11.5	14.9	75.3	11.6	14.9	75.0	11.9	15.0	74.3	12.3	15.1
		96	77.8	10.9	16.7	77.4	11.2	16.7	76.8	11.6	16.8	76.5	11.8	16.8	76.2	12.0	16.8	75.5	12.4	16.9
		120	78.2	10.9	17.3	77.8	11.2	17.4	77.2	11.6	17.4	76.9	11.8	17.4	76.6	12.0	17.4	75.9	12.5	17.5
25	50	83.5	11.4	18.1	82.9	11.7	18.2	82.2	12.1	18.3	81.9	12.3	18.4	81.5	12.5	18.4	78.4	12.1	18.7	
	60	84.0	11.4	19.2	83.4	11.8	19.3	82.8	12.1	19.4	82.4	12.3	19.4	82.0	12.6	19.5	78.4	12.0	19.7	
	96	85.4	11.5	21.3	84.8	11.9	21.4	84.1	12.3	21.4	83.8	12.5	21.5	83.4	12.7	21.5	78.4	11.7	21.7	
	120	85.9	11.6	22.0	85.3	11.9	22.1	84.6	12.3	22.1	84.2	12.5	22.1	83.8	12.7	22.2	78.4	11.6	22.3	
30	50	90.9	12.0	22.5	90.2	12.4	22.6	89.4	12.8	22.7	87.1	12.3	22.9	84.2	11.7	23.1	78.4	10.5	23.5	
	60	91.5	12.0	23.7	90.8	12.4	23.8	90.0	12.8	23.9	87.1	12.2	24.0	84.2	11.6	24.2	78.4	10.4	24.6	
	96	93.0	12.2	26.0	92.2	12.5	26.0	90.0	12.5	26.1	87.1	11.9	26.3	84.2	11.3	26.4	78.4	10.1	26.6	
	120	93.5	12.2	26.8	92.7	12.6	26.8	90.0	12.4	26.9	87.1	11.8	27.0	84.2	11.2	27.1	78.4	10.0	27.3	
35	50	98.3	12.6	26.8	95.8	12.5	27.0	90.0	11.3	27.5	87.1	10.8	27.7	84.2	10.3	27.9	78.4	9.23	28.4	
	60	98.9	12.7	28.1	95.8	12.3	28.4	90.0	11.2	28.7	87.1	10.7	28.9	84.2	10.2	29.1	78.4	9.14	29.5	
	96	101	12.8	30.6	95.8	12.0	30.8	90.0	10.9	31.1	87.1	10.4	31.2	84.2	9.87	31.3	78.4	8.89	31.5	
	120	101	12.9	31.5	95.8	11.9	31.7	90.0	10.8	31.8	87.1	10.3	31.9	84.2	9.79	32.0	78.4	8.82	32.2	
40	50	102	12.1	31.4	95.8	12.0	32.0	90.0	10.9	32.4	87.1	10.4	32.7	84.2	9.91	32.9	78.4	8.95	33.4	
	60	102	11.9	32.9	95.8	11.9	33.3	90.0	10.8	33.7	87.1	10.3	33.9	84.2	9.81	34.1	78.4	8.86	34.5	
	96	102	11.6	35.5	95.8	11.6	35.8	90.0	10.5	36.0	87.1	10.0	36.2	84.2	9.55	36.3	78.4	8.63	36.5	
	120	102	11.5	36.4	95.8	11.5	36.6	90.0	10.4	36.8	87.1	9.95	36.9	84.2	9.					

# 4 Capacity tables

## 4 - 3 Heating capacity tables

### RWEYQ24PY1

TC: Total Capacity: kW ; PI: Power Input: kW (compressor + outdoor fan motor) ; OWT: Outlet Water Temperatur: °C

Combination (%)	Inlet Water Temp. (°C)	Water Volume L/min	Indoor air temperature: °CDB																	
			16.0			18.0			20.0			21.0			22.0			24.0		
			TC kW	PI kW	OWT °C	TC kW	PI kW	OWT °C	TC kW	PI kW	OWT °C	TC kW	PI kW	OWT °C	TC kW	PI kW	OWT °C	TC kW	PI kW	OWT °C
100	10	50	39.9	6.2	6.78	40.3	6.0	6.72	40.7	5.9	6.68	40.8	5.9	6.67	40.9	5.9	6.66	41.0	6.0	6.65
		60	46.6	7.1	6.85	46.8	7.1	6.83	46.9	7.1	6.83	46.9	7.2	6.84	46.9	7.3	6.85	46.7	7.4	6.87
		96	60.7	10.2	7.49	60.5	10.5	7.51	60.1	10.8	7.54	59.9	10.9	7.56	59.7	11.1	7.58	59.2	11.6	7.63
		120	63.5	10.8	7.90	63.2	11.1	7.93	62.8	11.5	7.96	62.6	11.7	7.97	62.3	11.9	7.99	61.7	12.3	8.03
	15	50	63.4	10.7	9.97	63.1	11.0	10.02	62.7	11.3	10.10	62.4	11.5	10.14	62.2	11.7	10.18	61.6	12.2	10.28
		60	65.0	10.8	10.7	64.6	11.2	10.7	64.2	11.5	10.8	63.9	11.7	10.8	63.6	11.9	10.9	63.0	12.4	11.0
		96	69.1	11.2	12.1	68.7	11.6	12.2	68.1	12.0	12.2	67.9	12.2	12.2	67.5	12.4	12.3	65.4	12.2	12.4
		120	70.6	11.4	12.6	70.1	11.7	12.7	69.6	12.1	12.7	69.2	12.3	12.7	68.9	12.6	12.8	65.4	11.7	12.9
	20	50	74.5	11.8	14.0	74.0	12.1	14.1	73.3	12.5	14.2	72.6	12.6	14.3	72.2	12.9	14.4	65.4	10.7	14.8
		60	75.0	11.8	15.0	74.4	12.2	15.0	73.8	12.6	15.1	72.6	12.4	15.2	72.2	12.6	15.4	65.4	10.6	15.6
		96	76.3	11.9	16.8	75.7	12.3	16.8	75.0	12.7	16.9	72.6	12.1	17.0	72.2	12.4	17.1	65.4	10.3	17.3
		120	76.7	12.0	17.4	76.1	12.4	17.5	75.0	12.6	17.5	72.6	12.0	17.6	72.2	12.4	17.7	65.4	10.2	17.8
25	50	81.6	12.5	18.4	79.8	12.5	18.6	75.0	11.3	18.9	72.6	10.8	19.1	70.2	10.2	19.3	65.4	9.21	19.6	
	60	82.1	12.5	19.5	79.8	12.3	19.6	75.0	11.2	19.9	72.6	10.7	20.1	70.2	10.1	20.2	65.4	9.11	20.5	
	96	83.4	12.7	21.5	79.8	12.0	21.6	75.0	10.9	21.8	72.6	10.4	21.9	70.2	9.85	22.0	65.4	8.87	22.2	
	120	83.8	12.7	22.2	79.8	11.9	22.3	75.0	10.8	22.4	72.6	10.3	22.5	70.2	9.76	22.6	65.4	8.79	22.7	
30	50	84.6	11.8	23.0	79.8	10.8	23.4	75.0	9.83	23.8	72.6	9.36	24.0	70.2	8.91	24.1	65.4	8.04	24.5	
	60	84.6	11.7	24.2	79.8	10.7	24.5	75.0	9.72	24.8	72.6	9.26	25.0	70.2	8.82	25.1	65.4	7.96	25.4	
	96	84.6	11.3	26.4	79.8	10.4	26.5	75.0	9.46	26.7	72.6	9.02	26.8	70.2	8.59	26.9	65.4	7.76	27.1	
	120	84.6	11.2	27.1	79.8	10.3	27.2	75.0	9.38	27.4	72.6	8.94	27.5	70.2	8.51	27.5	65.4	7.69	27.7	
35	50	84.6	10.3	27.9	79.8	9.47	28.3	75.0	8.65	28.7	72.6	8.25	28.9	70.2	7.87	29.0	65.4	7.12	29.4	
	60	84.6	10.2	29.1	79.8	9.37	29.4	75.0	8.56	29.7	72.6	8.17	29.9	70.2	7.79	30.0	65.4	7.05	30.4	
	96	84.6	9.95	31.3	79.8	9.12	31.5	75.0	8.34	31.7	72.6	7.96	31.8	70.2	7.59	31.9	65.4	6.88	32.1	
	120	84.6	9.86	32.0	79.8	9.05	32.2	75.0	8.27	32.3	72.6	7.89	32.4	70.2	7.53	32.5	65.4	6.83	32.7	
40	50	84.6	9.99	32.9	79.8	9.17	33.3	75.0	8.40	33.6	72.6	8.03	33.8	70.2	7.66	34.0	65.4	6.95	34.4	
	60	84.6	9.88	34.0	79.8	9.08	34.4	75.0	8.32	34.7	72.6	7.95	34.9	70.2	7.59	35.0	65.4	6.88	35.3	
	96	84.6	9.62	36.3	79.8	8.85	36.5	75.0	8.11	36.7	72.6	7.75	36.8	70.2	7.40	36.9	65.4	6.71	37.1	
	120	84.6	9.54	37.0	79.8	8.77	37.2	75.0	8.04	37.3	72.6	7.69	37.4	70.2	7.34	37.5	65.4	6.65	37.7	
45	50	84.6	9.69	37.8	79.8	8.92	38.2	75.0	8.19	38.6	72.6	7.82	38.8	70.2	7.64	38.9	65.4	6.77	39.4	
	60	84.6	9.59	39.0	79.8	8.83	39.3	75.0	8.11	39.7	72.6	7.75	39.8	70.2	7.40	40.0	65.4	6.71	40.3	
	96	84.6	9.34	41.3	79.8	8.61	41.5	75.0	7.90	41.7	72.6	7.55	41.8	70.2	7.21	41.9	65.4	6.54	42.1	
	120	84.6	9.26	42.0	79.8	8.54	42.2	75.0	7.84	42.3	72.6	7.49	42.4	70.2	6.97	42.5	65.4	6.49	42.7	
90	10	50	40.6	6.0	6.69	40.8	5.9	6.66	41.0	5.9	6.65	41.0	6.0	6.65	41.0	6.0	6.66	40.9	6.2	6.68
		60	46.9	7.1	6.83	46.9	7.2	6.84	46.8	7.3	6.86	46.7	7.4	6.87	46.6	7.5	6.89	46.3	7.8	6.93
		96	60.2	10.7	7.54	59.8	11.0	7.57	59.4	11.4	7.61	59.2	11.6	7.63	58.9	11.8	7.65	58.3	12.2	7.71
		120	62.9	11.4	7.95	62.5	11.7	7.98	62.0	12.1	8.01	61.7	12.3	8.03	61.4	12.6	8.05	58.8	12.0	8.14
	15	50	62.8	11.3	10.08	62.3	11.6	10.15	61.9	12.0	10.23	61.6	12.2	10.28	61.3	12.4	10.3	58.8	11.9	10.5
		60	64.3	11.4	10.8	63.8	11.8	10.9	63.3	12.2	10.9	63.0	12.4	11.0	62.7	12.6	11.0	58.8	11.5	11.2
		96	68.3	11.9	12.2	67.8	12.2	12.2	67.2	12.6	12.3	65.3	12.2	12.4	63.2	11.5	12.4	58.8	10.4	12.6
		120	69.7	12.0	12.7	69.1	12.4	12.7	67.5	12.3	12.8	65.3	11.7	12.9	63.2	11.1	12.9	58.8	10.0	13.1
	20	50	73.5	12.4	14.2	71.8	12.4	14.3	67.5	11.2	14.6	65.3	10.7	14.8	63.2	10.2	14.9	58.8	9.15	15.3
		60	74.0	12.5	15.1	71.8	12.2	15.3	67.5	11.1	15.5	65.3	10.6	15.6	63.2	10.1	15.8	58.8	9.05	16.0
		96	75.2	12.6	16.9	71.8	11.9	17.0	67.5	10.8	17.2	65.3	10.3	17.3	63.2	9.79	17.3	58.8	8.81	17.5
		120	75.6	12.7	17.5	71.8	11.8	17.6	67.5	10.7	17.7	65.3	10.2	17.8	63.2	9.70	17.9	58.8	8.74	18.0
25	50	76.2	11.6	18.8	71.8	10.6	19.1	67.5	9.66	19.5	65.3	9.20	19.6	63.2	8.76	19.8	58.8	7.91	20.1	
	60	76.2	11.5	19.8	71.8	10.5	20.1	67.5	9.55	20.4	65.3	9.10	20.5	63.2	8.67	20.7	58.8	7.83	20.9	
	96	76.2	11.1	21.8	71.8	10.2	21.9	67.5	9.30	22.1	65.3	8.86	22.2	63.2	8.44	22.3	58.8	7.63	22.5	
	120	76.2	11.0	22.4	71.8	10.1	22.5	67.5	9.22	22.7	65.3	8.79	22.7	63.2	8.37	22.8	58.8	7.57	23.0	
30	50	76.2	10.1	23.7	71.8	9.22	24.0	67.5	8.42	24.4	65.3	8.04	24.5	63.2	7.66	24.7	58.8	6.94	25.0	
	60	76.2	9.95	24.7	71.8	9.12	25.0	67.5	8.34	25.3	65.3	7.96	25.4	63.2	7.59	25.6	58.8	6.88	25.9	
	96	76.2	9.68	26.7	71.8	8.88	26.9	67.5	8.12	27.0	65.3	7.75	27.1	63.2	7.40	27.2	58.8	6.71	27.4	
	120	76.2	9.60	27.4	71.8	8.81	27.5	67.5	8.05	27.6	65.3	7.69	27.7	63.2	7.34	27.8	58.8	6.65	27.9	
35	50	76.2	8.85	28.6	71.8	8.13	28.9	67.5	7.45	29.3	65.3	7.12	29.4	63.2	6.80	29.6	58.8	6.18	30.0	
	60	76.2	8.75	29.6	71.8	8.05	29.9	67.5	7.38	30.2	65.3	7.05	30.4	63.2	6.73	30.5	58.8	6.12	30.8	
	96	76.2	8.53	31.6	71.8	7.84	31.8	67.5	7.19	32.0	65.3	6.88	32.1	63.2	6.57	32.2	58.8	5.98	32.4	
	120	76.2	8.45	32.3	71.8	7.78	32.5	67.5	7.13	32.6	65.3	6.82	32.7	63.2	6.52	32.7	58.8	5.93	32.9	
40	50	76.2	8.58	33.5	71.8	7.91	33.9	67.5	7.26	34.2	65.3	6.94	34.4	63.2	6.63	34.6	58.8	6.03	35.0	
	60	76.2	8.50	34.6	71.8	7.83	34.9	67.5	7.19	35.2	65.3	6.87	35.3	63.2	6.57	35.5	58.8	5.97	35.8	
	96	76.2	8.28	36.6	71.8	7.64	36.8	67.5	7.01	37.0	65.3	6.70	37.1	63.2	6.40	37.2	58.8	5.83	37.4	
	120	76.2	8.21	37.3	71.8	7.58	37.4													

# 4 Capacity tables

## 4 - 3 Heating capacity tables

RWEYQ24PY1													TC: Total Capacity: kW ; PI: Power Input: kW (compressor + outdoor fan motor) ; OWT: Outlet Water Temperatur: °C											
Combination (%)	Inlet Water Temp. (°C)	Water Volume L/min	Indoor air temperature: °CDB																					
			16.0			18.0			20.0			21.0			22.0			24.0						
			TC kW	PI kW	OWT °C	TC kW	PI kW	OWT °C	TC kW	PI kW	OWT °C	TC kW	PI kW	OWT °C	TC kW	PI kW	OWT °C	TC kW	PI kW	OWT °C				
70	10	50	40.9	6.1	6.68	40.8	6.3	6.71	40.6	6.5	6.74	40.4	6.6	6.76	40.3	6.67	6.79	40.0	6.92	6.84				
		60	46.4	7.8	6.93	46.1	8.0	6.97	45.8	8.3	7.01	45.6	8.4	7.04	45.4	8.55	7.07	44.9	8.87	7.13				
		96	58.4	12.2	7.70	55.9	11.5	7.79	52.5	10.5	7.91	50.8	9.96	7.97	49.1	9.47	8.03	45.8	8.52	8.15				
		120	59.2	12.2	8.13	55.9	11.1	8.22	52.5	10.1	8.31	50.8	9.63	8.36	49.1	9.16	8.41	45.8	8.26	8.51				
	15	50	59.2	12.1	10.49	55.9	11.03	10.71	52.5	10.04	10.94	50.8	9.56	11.1	49.1	9.09	11.2	45.8	8.20	11.4				
		60	59.2	11.6	11.2	55.9	10.59	11.4	52.5	9.65	11.6	50.8	9.19	11.7	49.1	8.75	11.8	45.8	7.90	12.0				
		96	59.2	10.5	12.6	55.9	9.58	12.7	52.5	8.75	12.8	50.8	8.34	12.9	49.1	7.95	13.0	45.8	7.19	13.1				
		120	59.2	10.1	13.0	55.9	9.27	13.1	52.5	8.46	13.2	50.8	8.08	13.3	49.1	7.70	13.4	45.8	6.97	13.5				
	20	50	59.2	9.24	15.2	55.9	8.49	15.5	52.5	7.77	15.7	50.8	7.42	15.9	49.1	7.08	16.0	45.8	6.43	16.2				
		60	59.2	9.15	16.0	55.9	8.40	16.2	52.5	7.69	16.4	50.8	7.34	16.5	49.1	7.01	16.6	45.8	6.36	16.9				
		96	59.2	8.90	17.5	55.9	8.18	17.6	52.5	7.49	17.8	50.8	7.16	17.8	49.1	6.83	17.9	45.8	6.21	18.0				
		120	59.2	8.83	18.0	55.9	8.11	18.1	52.5	7.43	18.2	50.8	7.10	18.3	49.1	6.78	18.3	45.8	6.16	18.4				
25	50	59.2	7.99	20.1	55.9	7.36	20.4	52.5	6.75	20.6	50.8	6.46	20.8	49.1	6.18	20.9	45.8	5.63	21.2					
	60	59.2	7.91	20.9	55.9	7.28	21.1	52.5	6.69	21.4	50.8	6.40	21.5	49.1	6.12	21.6	45.8	5.58	21.8					
	96	59.2	7.71	22.4	55.9	7.10	22.6	52.5	6.52	22.7	50.8	6.25	22.8	49.1	5.97	22.9	45.8	5.45	23.0					
	120	59.2	7.64	22.9	55.9	7.04	23.1	52.5	6.47	23.2	50.8	6.20	23.2	49.1	5.93	23.3	45.8	5.41	23.4					
30	50	59.2	7.01	25.0	55.9	6.48	25.3	52.5	5.97	25.6	50.8	5.72	25.7	49.1	5.48	25.8	45.8	5.01	26.1					
	60	59.2	6.94	25.8	55.9	6.42	26.1	52.5	5.91	26.3	50.8	5.67	26.4	49.1	5.43	26.5	45.8	4.97	26.8					
	96	59.2	6.77	27.4	55.9	6.26	27.5	52.5	5.77	27.7	50.8	5.53	27.7	49.1	5.30	27.8	45.8	4.86	28.0					
	120	59.2	6.72	27.9	55.9	6.21	28.0	52.5	5.73	28.1	50.8	5.49	28.2	49.1	5.27	28.3	45.8	4.82	28.4					
35	50	59.2	6.24	29.9	55.9	5.78	30.2	52.5	5.34	30.5	50.8	5.13	30.6	49.1	4.92	30.8	45.8	4.52	31.1					
	60	59.2	6.18	30.8	55.9	5.73	31.0	52.5	5.29	31.2	50.8	5.08	31.4	49.1	4.88	31.5	45.8	4.48	31.7					
	96	59.2	6.04	32.4	55.9	5.60	32.5	52.5	5.17	32.6	50.8	4.97	32.7	49.1	4.77	32.8	45.8	4.39	32.9					
	120	59.2	5.99	32.9	55.9	5.55	33.0	52.5	5.14	33.1	50.8	4.94	33.2	49.1	4.74	33.2	45.8	4.36	33.4					
40	50	59.2	6.08	34.9	55.9	5.64	35.2	52.5	5.21	35.5	50.8	5.00	35.6	49.1	4.80	35.8	45.8	4.41	36.1					
	60	59.2	6.03	35.8	55.9	5.58	36.0	52.5	5.16	36.2	50.8	4.96	36.3	49.1	4.76	36.5	45.8	4.37	36.7					
	96	59.2	5.88	37.3	55.9	5.46	37.5	52.5	5.04	37.6	50.8	4.85	37.7	49.1	4.65	37.8	45.8	4.28	37.9					
	120	59.2	5.84	37.9	55.9	5.41	38.0	52.5	5.01	38.1	50.8	4.81	38.2	49.1	4.62	38.2	45.8	4.25	38.3					
45	50	59.2	5.93	39.9	55.9	5.50	40.2	52.5	5.08	40.5	50.8	4.88	40.6	49.1	4.68	40.8	45.8	4.30	41.0					
	60	59.2	5.88	40.8	55.9	5.45	41.0	52.5	5.03	41.2	50.8	4.83	41.3	49.1	4.64	41.5	45.8	4.26	41.7					
	96	59.2	5.74	42.3	55.9	5.32	42.5	52.5	4.92	42.6	50.8	4.73	42.7	49.1	4.54	42.8	45.8	4.17	42.9					
	120	59.2	5.69	42.9	55.9	5.28	43.0	52.5	4.88	43.1	50.8	4.69	43.2	49.1	4.50	43.2	45.8	4.14	43.3					
60	10	50	40.4	6.6	6.76	40.2	6.81	39.9	6.98	6.86	39.7	7.10	6.88	39.5	7.23	6.91	39.2	7.50	6.98					
		60	45.6	8.4	7.04	45.2	8.66	7.09	44.8	8.95	7.14	43.6	8.59	7.22	42.1	8.15	7.30	39.2	7.31	7.46				
		96	50.8	9.95	7.97	47.9	9.11	8.07	45.8	9.32	8.17	43.6	7.94	8.23	42.1	7.57	8.28	39.2	6.85	8.39				
		120	50.8	9.62	8.36	47.9	8.83	8.44	45.0	8.07	8.53	43.6	7.70	8.57	42.1	7.35	8.62	39.2	6.67	8.70				
	15	50	50.8	9.55	11.1	47.9	8.76	11.3	45.0	8.01	11.5	43.6	7.65	11.6	42.1	7.30	11.7	39.2	6.62	11.9				
		60	50.8	9.19	11.7	47.9	8.43	11.9	45.0	7.72	12.0	43.6	7.37	12.1	42.1	7.03	12.2	39.2	6.39	12.4				
		96	50.8	8.34	12.9	47.9	7.67	13.0	45.0	7.03	13.1	43.6	6.72	13.2	42.1	6.42	13.2	39.2	5.85	13.3				
		120	50.8	8.07	13.3	47.9	7.43	13.4	45.0	6.82	13.5	43.6	6.52	13.5	42.1	6.23	13.6	39.2	5.68	13.7				
	20	50	50.8	7.41	15.9	47.9	6.84	16.1	45.0	6.29	16.3	43.6	6.02	16.4	42.1	5.76	16.5	39.2	5.26	16.8				
		60	50.8	7.34	16.5	47.9	6.77	16.7	45.0	6.23	16.9	43.6	5.96	17.0	42.1	5.71	17.1	39.2	5.21	17.3				
		96	50.8	7.15	17.8	47.9	6.60	17.9	45.0	6.08	18.1	43.6	5.82	18.1	42.1	5.57	18.2	39.2	5.10	18.3				
		120	50.8	7.10	18.3	47.9	6.55	18.4	45.0	6.03	18.4	43.6	5.78	18.5	42.1	5.53	18.5	39.2	5.06	18.6				
25	50	50.8	6.46	20.8	47.9	5.97	21.0	45.0	5.51	21.2	43.6	5.29	21.3	42.1	5.07	21.5	39.2	4.65	21.7					
	60	50.8	6.40	21.5	47.9	5.92	21.7	45.0	5.46	21.9	43.6	5.24	22.0	42.1	5.03	22.0	39.2	4.61	22.2					
	96	50.8	6.24	22.8	47.9	5.78	22.9	45.0	5.34	23.0	43.6	5.13	23.1	42.1	4.92	23.2	39.2	4.52	23.3					
	120	50.8	6.19	23.2	47.9	5.74	23.3	45.0	5.30	23.4	43.6	5.09	23.5	42.1	4.88	23.5	39.2	4.48	23.6					
30	50	50.8	5.71	25.7	47.9	5.30	25.9	45.0	4.91	26.2	43.6	4.72	26.3	42.1	4.54	26.4	39.2	4.18	26.7					
	60	50.8	5.66	26.4	47.9	5.26	26.6	45.0	4.87	26.8	43.6	4.68	26.9	42.1	4.50	27.0	39.2	4.14	27.2					
	96	50.8	5.53	27.7	47.9	5.14	27.9	45.0	4.76	28.0	43.6	4.58	28.1	42.1	4.40	28.1	39.2	4.06	28.3					
	120	50.8	5.49	28.2	47.9	5.10	28.3	45.0	4.73	28.4	43.6	4.55	28.4	42.1	4.37	28.5	39.2	4.03	28.6					
35	50	50.8	5.12	30.6	47.9	4.77	30.9	45.0	4.43	31.1	43.6	4.27	31.2	42.1	4.11	31.4	39.2	3.80	31.6					
	60	50.8	5.08	31.4	47.9	4.73	31.6	45.0	4.40	31.8	43.6	4.25	31.9	42.1	4.08	32.0	39.2	3.77	32.2					
	96	50.8	4.97	32.7	47.9	4.63	32.8	45.0	4.31	33.0	43.6	4.15	33.0	42.1	3.99	33.1	39.2	3.70	33.2					
	120	50.8	4.93	33.2	47.9	4.60	33.3	45.0	4.28	33.4	43.6	4.12	33.4	42.1	3.97	33.5	39.2	3.68	33.6					
40	50	50.8	5.00	35.6	47.9	4.65	35.9	45.0	4.32	36.1	43.6	4.16	36.2	42.1	4.01	36.4	39.2	3.71	36.6					
	60	50.8	4.95	36.4	47.9	4.61	36.6	45.0	4.29	36.8	43.6	4.13	36.9	42.1	3.97	37.0	39.2	3.68	37.2					
	96	50.8	4.84	37.7	47.9	4.51	37.8	45.0	4.20	38.0	43.6	4.04	38.0	42.1	3.90	38.1	39.2	3.61	38.2					
	120	50.8	4.81	38.2	47.9	4.48	38.3	45.0	4.17	38.4	43.6	4.02												



# 4 Capacity tables

## 4 - 3 Heating capacity tables

### RWEYQ26PY1

TC: Total Capacity: kW ; PI: Power Input: kW (compressor + outdoor fan motor) ; OWT: Outlet Water Temperatur: °C

Combination (%)	Inlet Water Temp. (°C)	Water Volume L/min	Indoor air temperature: °CDB																	
			16.0			18.0			20.0			21.0			22.0			24.0		
			TC kW	PI kW	OWT °C	TC kW	PI kW	OWT °C	TC kW	PI kW	OWT °C	TC kW	PI kW	OWT °C	TC kW	PI kW	OWT °C	TC kW	PI kW	OWT °C
130	10	50	38.3	9.4	7.24	39.9	8.6	7.01	41.3	8.0	6.82	41.9	7.7	6.74	42.4	7.4	6.66	43.3	7.1	6.54
		60	47.5	9.4	6.96	48.6	8.9	6.83	49.5	8.5	6.73	49.9	8.3	6.69	50.2	8.2	6.66	50.7	8.1	6.61
		96	65.9	11.1	7.27	66.1	11.1	7.26	66.3	11.1	7.26	66.3	11.2	7.26	66.2	11.3	7.27	66.0	11.6	7.29
		120	69.4	11.5	7.69	69.6	11.6	7.69	69.5	11.7	7.70	69.5	11.8	7.71	69.4	12.0	7.72	69.1	12.3	7.74
	15	50	69.2	11.4	9.47	69.4	11.4	9.46	69.4	11.6	9.48	69.3	11.7	9.50	69.2	11.8	9.52	68.9	12.2	9.58
		60	71.2	11.4	10.2	71.3	11.5	10.2	71.2	11.7	10.3	71.1	11.8	10.3	71.0	12.0	10.3	70.6	12.4	10.4
		96	76.4	11.6	11.8	76.3	11.8	11.8	76.0	12.0	11.8	75.9	12.2	11.8	75.7	12.4	11.9	75.2	12.8	11.9
		120	78.2	11.6	12.4	78.0	11.9	12.4	77.7	12.2	12.4	77.5	12.3	12.4	77.3	12.5	12.4	76.7	13.0	12.5
	20	50	83.0	11.9	13.2	82.7	12.2	13.3	82.3	12.5	13.3	82.0	12.7	13.4	81.7	12.9	13.4	81.0	13.4	13.5
		60	83.5	11.9	14.3	83.2	12.2	14.3	82.8	12.6	14.4	82.5	12.8	14.4	82.2	13.0	14.5	81.6	13.5	14.6
		96	85.0	12.0	16.4	84.7	12.3	16.4	84.2	12.7	16.4	83.9	12.9	16.5	83.6	13.1	16.5	82.9	13.6	16.6
		120	85.5	12.1	17.1	85.2	12.4	17.1	84.7	12.7	17.1	84.4	12.9	17.2	84.1	13.2	17.2	83.3	13.7	17.2
25	50	91.4	12.5	17.5	90.9	12.8	17.5	90.3	13.2	17.6	89.9	13.5	17.7	89.5	13.7	17.8	88.7	14.2	17.9	
	60	92.0	12.5	18.7	91.5	12.9	18.7	90.9	13.3	18.8	90.5	13.5	18.9	90.1	13.8	18.9	89.2	14.3	19.0	
	96	93.6	12.6	21.0	93.0	13.0	21.0	92.4	13.4	21.1	92.0	13.7	21.1	91.6	13.9	21.1	90.7	14.4	21.2	
	120	94.1	12.7	21.8	93.5	13.1	21.8	92.9	13.5	21.8	92.5	13.7	21.6	92.1	14.0	21.9	91.2	14.5	21.9	
30	50	99.7	13.1	21.7	99.0	13.6	21.8	98.2	14.0	22.0	97.8	14.2	22.0	97.3	14.5	22.1	92.3	13.6	22.5	
	60	100	13.2	23.1	99.7	13.6	23.1	98.9	14.1	23.2	98.4	14.3	23.3	98.0	14.6	23.4	92.3	13.4	23.7	
	96	102	13.3	25.6	101	13.7	25.6	100	14.2	25.7	100	14.4	25.7	99.1	14.6	25.8	92.3	13.0	26.1	
	120	103	13.4	26.4	102	13.8	26.5	101	14.2	26.5	101	14.5	26.6	99.1	14.4	26.6	92.3	12.9	26.8	
35	50	108	13.9	26.0	107	14.3	26.1	106	14.7	26.3	103	13.9	26.5	99.1	13.2	26.8	92.3	11.9	27.3	
	60	109	13.9	27.5	108	14.3	27.6	106	14.5	27.7	103	13.8	27.9	99.1	13.1	28.1	92.3	11.7	28.6	
	96	110	14.1	30.2	110	14.5	30.3	106	14.1	30.4	103	13.4	30.6	99.1	12.7	30.7	92.3	11.4	31.0	
	120	111	14.1	31.1	110	14.5	31.2	106	14.0	31.3	103	13.3	31.4	99.1	12.6	31.6	92.3	11.3	31.8	
40	50	116	14.6	30.3	113	14.2	30.6	106	14.1	31.2	103	13.4	31.5	99.1	12.7	31.7	92.3	11.5	32.3	
	60	117	14.6	31.8	113	14.1	32.1	106	13.9	32.7	103	13.3	32.9	99.1	12.6	33.1	92.3	11.4	33.6	
	96	119	14.8	34.8	113	13.7	35.1	106	13.6	35.4	103	12.9	35.5	99.1	12.3	35.7	92.3	11.1	36.0	
	120	120	14.8	35.8	113	13.6	36.1	106	13.4	36.3	103	12.8	36.4	99.1	12.2	36.5	92.3	11.0	36.8	
45	50	120	14.5	35.0	113	13.9	35.6	106	13.6	36.2	103	13.0	36.4	99.1	12.3	36.7	92.3	11.1	37.2	
	60	120	14.3	36.6	113	13.7	37.1	106	13.5	37.6	103	12.8	37.9	99.1	12.2	38.1	92.3	11.0	38.5	
	96	120	13.9	39.7	113	13.3	40.1	106	13.1	40.4	103	12.5	40.5	99.1	11.9	40.7	92.3	10.7	40.9	
	120	120	13.8	40.8	113	13.2	41.0	106	13.0	41.3	103	12.4	41.4	99.1	11.8	41.5	92.3	10.6	41.7	
120	10	50	40.4	8.4	6.94	41.6	7.8	6.77	42.6	7.4	6.63	43.0	7.2	6.58	43.4	7.0	6.53	44.0	6.8	6.45
		60	49.0	8.7	6.79	49.7	8.4	6.71	50.3	8.2	6.65	50.5	8.1	6.62	50.7	8.1	6.61	50.9	8.1	6.59
		96	66.2	11.1	7.26	66.3	11.2	7.26	66.2	11.4	7.27	66.1	11.5	7.28	66.0	11.7	7.30	65.6	12.0	7.33
		120	69.6	11.6	7.69	69.5	11.8	7.70	69.3	12.1	7.72	69.2	12.2	7.73	69.0	12.4	7.75	68.6	12.8	7.78
	15	50	69.4	11.5	9.47	69.4	11.7	9.49	69.2	11.9	9.53	69.0	12.1	9.56	68.9	12.2	9.59	68.4	12.7	9.67
		60	71.3	11.6	10.2	71.2	11.8	10.3	71.0	12.1	10.3	70.8	12.2	10.3	70.6	12.4	10.4	70.1	12.9	10.4
		96	76.2	11.8	11.8	76.0	12.1	11.8	75.6	12.5	11.9	75.3	12.7	11.9	75.1	12.9	11.9	74.5	13.3	12.0
		120	77.9	12.0	12.4	77.6	12.3	12.4	77.2	12.6	12.4	77.0	12.8	12.4	76.7	13.0	12.5	76.0	13.5	12.5
	20	50	82.5	12.3	13.3	82.1	12.6	13.4	81.6	13.0	13.5	81.3	13.3	13.5	80.9	13.5	13.6	80.2	14.0	13.7
		60	83.1	12.3	14.4	82.7	12.7	14.4	82.1	13.1	14.5	81.8	13.3	14.5	81.5	13.5	14.6	80.7	14.1	14.7
		96	84.5	12.5	16.4	84.1	12.8	16.5	83.5	13.2	16.5	83.2	13.4	16.5	82.8	13.7	16.6	82.0	14.2	16.6
		120	85.0	12.5	17.1	84.5	12.8	17.1	83.9	13.3	17.2	83.6	13.5	17.2	83.2	13.7	17.2	82.4	14.2	17.3
25	50	90.7	13.0	17.6	90.1	13.4	17.7	89.4	13.8	17.8	89.0	14.0	17.8	88.6	14.3	17.9	85.2	13.9	18.2	
	60	91.3	13.0	18.8	90.7	13.4	18.9	90.0	13.9	18.9	89.6	14.1	19.0	89.1	14.4	19.0	85.2	13.7	19.3	
	96	92.8	13.2	21.0	92.2	13.6	21.1	91.4	14.0	21.1	91.0	14.3	21.2	90.6	14.5	21.2	85.2	13.3	21.4	
	120	93.3	13.2	21.8	92.7	13.6	21.9	91.9	14.1	21.9	91.5	14.3	21.9	91.0	14.6	22.0	85.2	13.2	22.1	
30	50	98.8	13.7	21.9	98.0	14.1	22.0	97.2	14.6	22.1	94.7	14.1	22.3	91.5	13.4	22.5	85.2	12.0	23.0	
	60	99.4	13.8	23.2	98.6	14.2	23.3	97.8	14.7	23.4	94.7	13.9	23.6	91.5	13.2	23.8	85.2	11.9	24.2	
	96	101	13.9	25.7	100	14.3	25.7	97.8	14.3	25.8	94.7	13.5	26.0	91.5	12.9	26.1	85.2	11.6	26.3	
	120	102	13.9	26.5	101	14.4	26.6	97.8	14.1	26.7	94.7	13.4	26.8	91.5	12.7	26.9	85.2	11.4	27.1	
35	50	107	14.4	26.2	104	14.3	26.4	97.8	13.0	26.9	94.7	12.3	27.1	91.5	11.7	27.4	85.2	10.5	27.9	
	60	108	14.5	27.6	104	14.1	27.8	97.8	12.8	28.2	94.7	12.2	28.4	91.5	11.6	28.6	85.2	10.4	29.0	
	96	109	14.7	30.3	104	13.7	30.5	97.8	12.5	30.8	94.7	11.9	30.9	91.5	11.3	31.0	85.2	10.2	31.3	
	120	110	14.7	31.2	104	13.6	31.4	97.8	12.4	31.6	94.7	11.8	31.7	91.5	11.2	31.8	85.2	10.1	32.0	
40	50	110	13.8	30.8	104	13.7	31.4	97.8	12.5	31.8	94.7	11.9	32.1	91.5	11.3	32.3	85.2	10.2	32.8	
	60	110	13.6	32.3	104	13.6	32.8	97.8	12.4	33.2	94.7	11.8	33.4	91.5	11.2	33.6	85.2	10.1	34.0	
	96	110	13.2	35.2	104	13.2	35.5	97.8	12.0	35.7	94.7	11.5	35.9	91.5	10.9	36.0	85.2	9.86	36.2	
	120	110	13.1	36.1	104	13.1	36.4	97.8	11.9	36.6	94.7	11.4	36.7	91.5	10.8	36.8</				

# 4 Capacity tables

## 4 - 3 Heating capacity tables

RWEYQ26PY1																				
TC: Total Capacity: kW ; PI: Power Input: kW (compressor + outdoor fan motor) ; OWT: Outlet Water Temperatur: °C																				
Combination (%)	Inlet Water Temp. (°C)	Water Volume L/min	Indoor air temperature: °CDB																	
			16.0			18.0			20.0			21.0			22.0			24.0		
			TC kW	PI kW	OWT °C	TC kW	PI kW	OWT °C	TC kW	PI kW	OWT °C	TC kW	PI kW	OWT °C	TC kW	PI kW	OWT °C	TC kW	PI kW	OWT °C
100	10	50	43.3	7.1	6.54	43.8	6.9	6.47	44.2	6.8	6.42	44.3	6.8	6.41	44.4	6.8	6.40	44.5	6.8	6.40
		60	50.7	8.1	6.61	50.9	8.1	6.59	51.0	8.1	6.59	51.0	8.2	6.59	50.9	8.3	6.60	50.8	8.5	6.63
		96	66.0	11.6	7.30	65.7	11.9	7.32	65.3	12.3	7.36	65.1	12.5	7.38	64.9	12.7	7.41	64.3	13.2	7.46
		120	69.0	12.4	7.74	68.7	12.7	7.77	68.2	13.1	7.81	68.0	13.3	7.82	67.7	13.6	7.85	67.1	14.1	7.89
	15	50	68.9	12.2	9.59	68.5	12.6	9.65	68.1	13.0	9.73	67.8	13.2	9.76	67.6	13.4	9.83	66.9	13.9	9.93
		60	70.6	12.4	10.4	70.2	12.7	10.4	69.7	13.1	10.5	69.5	13.4	10.5	69.2	13.6	10.6	68.5	14.1	10.7
		96	75.1	12.8	11.9	74.6	13.2	11.9	74.1	13.7	12.0	73.7	13.9	12.0	73.4	14.1	12.1	71.0	13.9	12.2
		120	76.7	13.0	12.5	76.2	13.4	12.5	75.6	13.8	12.5	75.2	14.1	12.6	74.9	14.3	12.6	71.0	13.4	12.7
	20	50	81.0	13.4	13.5	80.4	13.9	13.6	79.7	14.3	13.8	78.9	14.4	13.8	76.3	13.6	14.0	71.0	12.2	14.4
		60	81.5	13.5	14.6	80.9	13.9	14.7	80.2	14.4	14.8	78.9	14.2	14.9	76.3	13.5	15.0	71.0	12.1	15.3
		96	82.9	13.6	16.6	82.2	14.1	14.7	81.5	14.5	16.7	78.9	13.8	16.8	76.3	13.1	16.9	71.0	11.8	17.1
		120	83.3	13.7	17.2	82.6	14.1	17.3	81.5	14.4	17.3	78.9	13.7	17.4	76.3	13.0	17.5	71.0	11.7	17.6
25	50	88.6	14.3	17.9	86.7	14.2	18.1	81.5	12.9	18.4	78.9	12.3	18.6	76.3	11.7	18.8	71.0	10.5	19.2	
	60	89.2	14.3	19.0	86.7	14.1	19.2	81.5	12.8	19.5	78.9	12.2	19.7	76.3	11.6	19.8	71.0	10.4	20.2	
	96	90.6	14.5	21.2	86.7	13.7	21.4	81.5	12.4	21.6	78.9	11.8	21.7	76.3	11.3	21.8	71.0	10.1	22.0	
	120	91.1	14.5	22.0	86.7	13.6	22.1	81.5	12.3	22.2	78.9	11.7	22.3	76.3	11.2	22.4	71.0	10.0	22.6	
30	50	92.0	13.5	22.5	86.7	12.3	22.9	81.5	11.2	23.3	78.9	10.7	23.5	76.3	10.2	23.7	71.0	9.19	24.1	
	60	92.0	13.3	23.7	86.7	12.2	24.1	81.5	11.1	24.4	78.9	10.6	24.6	76.3	10.1	24.7	71.0	9.10	25.1	
	96	92.0	13.0	26.1	86.7	11.9	26.3	81.5	10.8	26.5	78.9	10.3	26.6	76.3	9.81	26.7	71.0	8.86	26.9	
	120	92.0	12.8	26.9	86.7	11.8	27.0	81.5	10.7	27.2	78.9	10.2	27.3	76.3	9.73	27.4	71.0	8.79	27.5	
35	50	92.0	11.8	27.3	86.7	10.8	27.7	81.5	9.88	28.2	78.9	9.43	28.4	76.3	8.99	28.6	71.0	8.14	29.0	
	60	92.0	11.7	28.6	86.7	10.7	28.9	81.5	9.78	29.3	78.9	9.33	29.5	76.3	8.90	29.6	71.0	8.06	30.0	
	96	92.0	11.4	31.0	86.7	10.4	31.2	81.5	9.52	31.4	78.9	9.09	31.5	76.3	8.67	31.6	71.0	7.86	31.9	
	120	92.0	11.3	31.8	86.7	10.3	32.0	81.5	9.44	32.1	78.9	9.02	32.2	76.3	8.60	32.3	71.0	7.80	32.5	
40	50	92.0	11.4	32.3	86.7	10.5	32.7	81.5	9.59	33.1	78.9	9.17	33.3	76.3	8.75	33.5	71.0	7.93	34.0	
	60	92.0	11.3	33.6	86.7	10.4	33.9	81.5	9.50	34.3	78.9	9.08	34.4	76.3	8.67	34.6	71.0	7.86	35.0	
	96	92.0	11.0	36.0	86.7	10.1	36.2	81.5	9.26	36.4	78.9	8.85	36.5	76.3	8.45	36.6	71.0	7.66	36.8	
	120	92.0	10.9	36.8	86.7	10.0	36.9	81.5	9.18	37.1	78.9	8.78	37.2	76.3	8.38	37.3	71.0	7.60	37.5	
45	50	92.0	11.1	37.3	86.7	10.2	37.7	81.5	9.35	38.1	78.9	8.94	38.3	76.3	8.53	38.5	71.0	7.74	39.0	
	60	92.0	11.0	38.5	86.7	10.1	38.9	81.5	9.26	39.2	78.9	8.85	39.4	76.3	8.45	39.6	71.0	7.66	40.0	
	96	92.0	10.7	41.0	86.7	9.83	41.2	81.5	9.03	41.4	78.9	8.63	41.5	76.3	8.24	41.6	71.0	7.47	41.8	
	120	92.0	10.6	41.8	86.7	9.75	41.9	81.5	8.95	42.1	78.9	8.56	42.2	76.3	8.17	42.3	71.0	7.41	42.5	
90	10	50	44.1	6.8	6.43	44.4	6.8	6.40	44.5	6.8	6.39	44.5	6.8	6.40	44.5	6.9	6.40	44.4	7.0	6.43
		60	51.0	8.1	6.59	51.0	8.2	6.60	50.9	8.4	6.62	50.8	8.5	6.63	50.7	8.6	6.65	50.4	8.9	6.70
		96	65.4	12.2	7.35	65.0	12.6	7.39	64.6	13.0	7.43	64.3	13.2	7.46	64.0	13.4	7.48	63.4	13.9	7.54
		120	68.4	13.0	7.80	67.9	13.4	7.83	67.4	13.8	7.87	67.1	14.1	7.89	66.7	14.3	7.91	63.9	13.7	8.00
	15	50	68.2	12.9	9.71	67.7	13.2	9.79	67.2	13.7	9.88	66.9	13.9	9.94	66.6	14.2	10.0	63.9	13.6	10.2
		60	69.9	13.0	10.5	69.4	13.4	10.5	68.8	13.9	10.6	68.5	14.1	10.7	68.2	14.4	10.7	63.9	13.1	11.0
		96	74.2	13.6	12.0	73.6	14.0	12.0	73.0	14.4	12.1	71.0	13.9	12.2	68.6	13.2	12.2	63.9	11.8	12.4
		120	75.7	13.7	12.5	75.1	14.2	12.6	73.4	14.1	12.6	71.0	13.4	12.7	68.6	12.7	12.8	63.9	11.4	12.9
	20	50	79.9	14.2	13.7	78.1	14.1	13.9	73.4	12.8	14.2	71.0	12.2	14.4	68.6	11.6	14.6	63.9	10.5	14.9
		60	80.4	14.3	14.7	78.1	14.0	14.9	73.4	12.7	15.2	71.0	12.1	15.3	68.6	11.5	15.5	63.9	10.3	15.7
		96	81.7	14.4	16.7	78.1	13.6	16.8	73.4	12.4	17.0	71.0	11.8	17.1	68.6	11.2	17.1	63.9	10.1	17.3
		120	82.1	14.5	17.3	78.1	13.5	17.4	73.4	12.2	17.6	71.0	11.7	17.6	68.6	11.1	17.7	63.9	9.98	17.9
25	50	82.8	13.2	18.4	78.1	12.1	18.7	73.4	11.0	19.0	71.0	10.5	19.2	68.6	10.0	19.4	63.9	9.03	19.8	
	60	82.8	13.1	19.5	78.1	12.0	19.7	73.4	10.9	20.0	71.0	10.4	20.2	68.6	9.90	20.3	63.9	8.94	20.6	
	96	82.8	12.7	21.5	78.1	11.7	21.7	73.4	10.6	21.9	71.0	10.1	22.0	68.6	9.64	22.1	63.9	8.71	22.3	
	120	82.8	12.6	22.2	78.1	11.5	22.4	73.4	10.5	22.5	71.0	10.0	22.6	68.6	9.56	22.6	63.9	8.64	22.8	
30	50	82.8	11.5	23.2	78.1	10.5	23.5	73.4	9.62	23.9	71.0	9.18	24.1	68.6	8.76	24.3	63.9	7.93	24.7	
	60	82.8	11.4	24.3	78.1	10.4	24.6	73.4	9.52	24.9	71.0	9.09	25.1	68.6	8.67	25.2	63.9	7.86	25.5	
	96	82.8	11.1	26.4	78.1	10.1	26.6	73.4	9.28	26.8	71.0	8.86	26.9	68.6	8.45	27.0	63.9	7.66	27.2	
	120	82.8	11.0	27.1	78.1	10.1	27.3	73.4	9.20	27.4	71.0	8.78	27.5	68.6	8.38	27.6	63.9	7.60	27.8	
35	50	82.8	10.1	28.1	78.1	9.29	28.4	73.4	8.51	28.8	71.0	8.13	29.0	68.6	7.77	29.2	63.9	7.06	29.6	
	60	82.8	10.0	29.2	78.1	9.19	29.5	73.4	8.42	29.8	71.0	8.05	30.0	68.6	7.69	30.1	63.9	7.00	30.5	
	96	82.8	9.74	31.4	78.1	8.96	31.6	73.4	8.21	31.8	71.0	7.85	31.9	68.6	7.50	32.0	63.9	6.83	32.2	
	120	82.8	9.66	32.1	78.1	8.88	32.2	73.4	8.15	32.4	71.0	7.79	32.5	68.6	7.44	32.6	63.9	6.78	32.7	
40	50	82.8	9.81	33.0	78.1	9.04	33.4	73.4	8.30	33.8	71.0	7.93	34.0	68.6	7.57	34.2	63.9	6.89	34.6	
	60	82.8	9.71	34.2	78.1	8.95	34.5	73.4	8.21	34.8	71.0	7.85	35.0	68.6	7.50	35.1	63.9	6.82	35.5	
	96	82.8	9.46	36.4	78.1	8.73	36.6	73.4	8.01	36.7	71.0	7.66	36.8	68.6	7.32	36.9	63.9	6.66	37.2	
	120	82.8	9.38	37.1	78.1	8.66	37.2	73.4	7.94	37.4	71.0	7.60								

# 4 Capacity tables

## 4 - 3 Heating capacity tables

### RWEYQ26PY1

TC: Total Capacity: kW ; PI: Power Input: kW (compressor + outdoor fan motor) ; OWT: Outlet Water Temperatur: °C

Combination (%)	Inlet Water Temp. (°C)	Water Volume L/min	Indoor air temperature: °CDB																	
			16.0			18.0			20.0			21.0			22.0			24.0		
			TC kW	PI kW	OWT °C	TC kW	PI kW	OWT °C	TC kW	PI kW	OWT °C	TC kW	PI kW	OWT °C	TC kW	PI kW	OWT °C	TC kW	PI kW	OWT °C
70	10	50	44.4	7.0	6.42	44.3	7.2	6.45	44.1	7.4	6.49	43.9	7.5	6.52	43.8	7.6	6.54	43.4	7.9	6.61
		60	50.4	8.9	6.69	50.1	9.1	6.74	49.7	9.4	6.79	49.5	9.6	6.82	49.3	9.8	6.85	48.8	10.1	6.92
		96	63.4	13.9	7.53	60.7	13.1	7.63	57.1	11.9	7.76	55.2	11.4	7.82	53.4	10.8	7.88	49.7	9.74	8.01
	15	50	64.4	13.8	10.17	60.7	12.6	10.40	57.1	11.5	10.64	55.2	10.92	53.4	10.39	10.9	49.7	9.37	11.1	
		60	64.4	13.2	10.9	60.7	12.1	11.1	57.1	11.0	11.3	55.2	10.50	11.4	53.4	10.00	11.5	49.7	9.02	11.8
		96	64.4	12.0	12.4	60.7	10.9	12.5	57.1	10.0	12.7	55.2	9.53	12.7	53.4	9.08	12.8	49.7	8.22	12.9
	20	50	64.4	10.6	14.9	60.7	9.70	15.1	57.1	8.97	15.4	55.2	8.47	15.5	53.4	8.09	15.7	49.7	7.34	16.0
		60	64.4	10.4	15.7	60.7	9.60	15.9	57.1	8.78	16.2	55.2	8.39	16.3	53.4	8.01	16.4	49.7	7.27	16.6
		96	64.4	10.2	17.3	60.7	9.35	17.4	57.1	8.56	17.6	55.2	8.18	17.7	53.4	7.81	17.7	49.7	7.10	17.9
	25	50	64.4	9.13	19.7	60.7	8.40	20.0	57.1	7.71	20.3	55.2	7.38	20.4	53.4	7.06	20.6	49.7	6.43	20.9
		60	64.4	9.03	20.6	60.7	8.32	20.8	57.1	7.64	21.1	55.2	7.31	21.2	53.4	6.99	21.3	49.7	6.37	21.5
		96	64.4	8.80	22.2	60.7	8.11	22.4	57.1	7.45	22.5	55.2	7.13	22.6	53.4	6.82	22.7	49.7	6.23	22.8
30	50	64.4	8.73	22.8	60.7	8.05	22.9	57.1	7.39	23.0	55.2	7.08	23.1	53.4	6.77	23.1	49.7	6.18	23.3	
	60	64.4	8.01	24.6	60.7	7.40	24.9	57.1	6.81	25.2	55.2	6.53	25.3	53.4	6.26	25.5	49.7	5.73	25.8	
	96	64.4	7.93	25.5	60.7	7.33	25.7	57.1	6.75	26.0	55.2	6.47	26.1	53.4	6.20	26.2	49.7	5.68	26.5	
35	50	64.4	7.74	27.2	60.7	7.15	27.3	57.1	6.59	27.5	55.2	6.32	27.6	53.4	6.06	27.6	49.7	5.55	27.8	
	60	64.4	7.68	27.7	60.7	7.10	27.9	57.1	6.54	28.0	55.2	6.28	28.1	53.4	6.01	28.1	49.7	5.51	28.2	
	96	64.4	7.13	29.5	60.7	6.60	29.8	57.1	6.10	30.1	55.2	5.86	30.3	53.4	5.62	30.4	49.7	5.16	30.7	
40	50	64.4	7.06	30.4	60.7	6.54	30.7	57.1	6.05	30.9	55.2	5.81	31.1	53.4	5.57	31.2	49.7	5.12	31.4	
	60	64.4	6.89	32.1	60.7	6.39	32.3	57.1	5.91	32.5	55.2	5.68	32.5	53.4	5.45	32.6	49.7	5.01	32.8	
	96	64.4	6.84	32.7	60.7	6.34	32.8	57.1	5.87	33.0	55.2	5.64	33.0	53.4	5.41	33.1	49.7	4.98	33.2	
45	50	64.4	6.95	34.5	60.7	6.44	34.8	57.1	5.95	35.1	55.2	5.71	35.3	53.4	5.48	35.4	49.7	5.03	35.7	
	60	64.4	6.89	35.4	60.7	6.38	35.7	57.1	5.90	35.9	55.2	5.66	36.1	53.4	5.43	36.2	49.7	4.99	36.4	
	96	64.4	6.72	37.1	60.7	6.23	37.3	57.1	5.76	37.4	55.2	5.54	37.5	53.4	5.31	37.6	49.7	4.89	37.8	
50	50	64.4	6.67	37.7	60.7	6.18	37.8	57.1	5.72	38.0	55.2	5.50	38.0	53.4	5.28	38.1	49.7	4.85	38.2	
	60	64.4	6.78	39.5	60.7	6.28	39.8	57.1	5.80	40.1	55.2	5.57	40.3	53.4	5.34	40.4	49.7	4.91	40.7	
	96	64.4	6.71	40.4	60.7	6.22	40.7	57.1	5.75	40.9	55.2	5.52	41.0	53.4	5.30	41.2	49.7	4.87	41.4	
55	50	64.4	6.55	42.1	60.7	6.08	42.3	57.1	5.62	42.4	55.2	5.40	42.5	53.4	5.18	42.6	49.7	4.77	42.8	
	60	64.4	6.50	42.7	60.7	6.03	42.8	57.1	5.58	43.0	55.2	5.36	43.0	53.4	5.15	43.1	49.7	4.73	43.2	
	96	64.4	6.50	42.7	60.7	6.03	42.8	57.1	5.58	43.0	55.2	5.36	43.0	53.4	5.15	43.1	49.7	4.73	43.2	
60	10	50	43.9	7.5	6.52	43.7	7.7	6.57	43.3	7.97	6.62	43.2	8.11	6.65	43.0	8.26	6.68	42.5	8.57	6.75
		60	49.5	9.6	6.82	49.1	9.9	6.88	48.7	10.22	6.94	47.3	9.81	7.01	45.8	9.31	7.10	42.6	8.35	7.27
		96	55.2	11.4	7.82	52.0	10.4	7.93	48.9	9.50	8.04	47.3	9.07	8.10	45.8	8.64	8.15	42.6	7.82	8.27
	15	50	55.2	11.0	8.24	52.0	10.1	8.33	48.9	9.22	8.42	47.3	8.80	8.47	45.8	8.39	8.51	42.6	7.61	8.61
		60	55.2	10.91	10.8	52.0	10.01	11.0	48.9	9.15	11.2	47.3	8.74	11.3	45.8	8.33	11.4	42.6	7.56	11.7
		96	55.2	10.49	11.4	52.0	9.63	11.6	48.9	8.81	11.8	47.3	8.42	11.9	45.8	8.03	12.0	42.6	7.29	12.2
	20	50	55.2	9.52	12.7	52.0	8.76	12.8	48.9	8.03	13.0	47.3	7.68	13.0	45.8	7.34	13.1	42.6	6.68	13.2
		60	55.2	9.22	13.2	52.0	8.49	13.3	48.9	7.79	13.4	47.3	7.45	13.4	45.8	7.12	13.5	42.6	6.49	13.6
		96	55.2	8.47	15.5	52.0	7.81	15.8	48.9	7.18	16.0	47.3	6.88	16.1	45.8	6.58	16.3	42.6	6.01	16.5
	25	50	55.2	8.38	16.3	52.0	7.73	16.5	48.9	7.11	16.7	47.3	6.81	16.8	45.8	6.52	16.9	42.6	5.96	17.1
		60	55.2	8.17	17.7	52.0	7.54	17.8	48.9	6.94	17.9	47.3	6.65	18.0	45.8	6.37	18.0	42.6	5.82	18.2
		96	55.2	8.10	18.1	52.0	7.48	18.2	48.9	6.89	18.3	47.3	6.60	18.4	45.8	6.32	18.4	42.6	5.78	18.5
30	50	55.2	7.38	20.4	52.0	6.83	20.7	48.9	6.30	20.9	47.3	6.04	21.1	45.8	5.80	21.2	42.6	5.32	21.4	
	60	55.2	7.31	21.2	52.0	6.76	21.4	48.9	6.24	21.6	47.3	5.99	21.7	45.8	5.74	21.8	42.6	5.27	22.0	
	96	55.2	7.13	22.6	52.0	6.60	22.7	48.9	6.10	22.9	47.3	5.85	22.9	45.8	5.62	23.0	42.6	5.16	23.1	
35	50	55.2	7.07	23.1	52.0	6.55	23.2	48.9	6.05	23.3	47.3	5.81	23.3	45.8	5.58	23.4	42.6	5.12	23.5	
	60	55.2	6.53	25.4	52.0	6.06	25.6	48.9	5.61	25.9	47.3	5.39	26.0	45.8	5.18	26.1	42.6	4.77	26.4	
	96	55.2	6.47	26.1	52.0	6.00	26.3	48.9	5.56	26.5	47.3	5.35	26.7	45.8	5.14	26.8	42.6	4.73	27.0	
40	50	55.2	6.32	27.6	52.0	5.87	27.7	48.9	5.44	27.8	47.3	5.23	27.9	45.8	5.03	28.0	42.6	4.64	28.1	
	60	55.2	6.27	28.1	52.0	5.83	28.2	48.9	5.40	28.3	47.3	5.20	28.3	45.8	5.00	28.4	42.6	4.61	28.5	
	96	55.2	5.85	30.3	52.0	5.45	30.5	48.9	5.06	30.8	47.3	4.88	30.9	45.8	4.69	31.1	42.6	4.34	31.3	
45	50	55.2	5.80	31.1	52.0	5.40	31.3	48.9	5.02	31.5	47.3	4.84	31.6	45.8	4.66	31.7	42.6	4.31	32.0	
	60	55.2	5.67	32.5	52.0	5.29	32.7	48.9	4.92	32.8	47.3	4.74	32.9	45.8	4.56	33.0	42.6	4.22	33.1	
	96	55.2	5.63	33.0	52.0	5.25	33.1	48.9	4.88	33.2	47.3	4.71	33.3	45.8	4.53	33.4	42.6	4.20	33.5	
50	50	55.2	5.71	35.3	52.0	5.31	35.5	48.9	4.94	35.8	47.3	4.76	35.9	45.8	4.58	36.1	42.6	4.23	36.3	
	60	55.2	5.66	36.1	52.0	5.27	36.3	48.9	4.90	36.5	47.3	4.72	36.6	45.8	4.54	36.7	42.6	4.20	36.9	
	96	55.2	5.53	37.5	52.0	5.16	37.7	48.9	4.79	37.8	47.3	4.62	37.9	45.8	4.45	37.9	42.6	4.12	38.1	
55	50	55.2	5.49	38.0	52.0	5.12	38.1	48.9	4.76	38.2	47.3	4.59	38.3	45.8	4.42	38.4	42.6	4.09	38.5	
	60	55.2	5.18	40.2	52.0	5.18	40.5	48.9	4.81	40.8	47.3	4.64	40.9	45.8	4.46	41.1	42.6	4.13	41.3	
	96	55.2	5.52																	

# 4 Capacity tables

## 4 - 3 Heating capacity tables

RWEYQ28PY1													TC: Total Capacity: kW ; PI: Power Input: kW (compressor + outdoor fan motor) ; OWT: Outlet Water Temperatur: °C											
Combination (%)	Inlet Water Temp. (°C)	Water Volume L/min	Indoor air temperature: °CDB																					
			16.0			18.0			20.0			21.0			22.0			24.0						
			TC kW	PI kW	OWT °C	TC kW	PI kW	OWT °C	TC kW	PI kW	OWT °C	TC kW	PI kW	OWT °C	TC kW	PI kW	OWT °C	TC kW	PI kW	OWT °C				
130	10	50	41.3	10.5	7.06	43.1	9.7	6.81	44.5	8.94	6.60	45.2	8.64	6.51	45.8	8.37	6.43	46.7	7.96	6.29				
		60	51.3	10.5	6.75	52.5	10.0	6.61	53.5	9.53	6.50	53.9	9.37	6.46	54.2	9.24	6.42	54.7	9.10	6.37				
		96	71.1	12.4	7.08	71.4	12.4	7.06	71.5	12.5	7.06	71.5	12.6	7.07	71.5	12.7	7.08	71.3	13.1	7.10				
		120	75.0	12.9	7.53	75.1	13.0	7.53	75.1	13.2	7.54	75.0	13.3	7.54	74.9	13.5	7.55	74.6	13.9	7.58				
	15	50	74.8	12.8	9.08	74.9	12.9	9.07	74.9	13.0	9.09	74.8	13.2	9.11	74.7	13.3	9.13	74.4	13.7	9.20				
		60	76.9	12.8	9.90	77.0	12.9	9.90	76.9	13.2	9.92	76.8	13.3	9.94	76.7	13.5	10.0	76.3	13.9	10.0				
		96	82.5	13.0	11.5	82.4	13.2	11.6	82.1	13.5	11.6	81.9	13.7	11.6	81.7	13.9	11.6	81.2	14.4	11.7				
		120	84.4	13.1	12.2	84.2	13.3	12.2	83.9	13.7	12.2	83.7	13.9	12.2	83.5	14.1	12.2	82.9	14.6	12.3				
	20	50	89.6	13.4	12.7	89.3	13.7	12.8	88.8	14.1	12.9	88.5	14.3	12.9	88.2	14.6	13.0	87.5	15.1	13.1				
		60	90.2	13.4	13.9	89.9	13.7	13.9	89.4	14.1	14.0	89.1	14.4	14.0	88.8	14.6	14.1	88.1	15.2	14.2				
		96	91.8	13.5	16.1	91.4	13.9	16.1	90.9	14.3	16.2	90.6	14.5	16.2	90.3	14.8	16.2	89.5	15.3	16.3				
		120	92.3	13.6	16.9	92.0	13.9	16.9	91.4	14.3	16.9	91.1	14.6	17.0	90.8	14.8	17.0	90.0	15.4	17.0				
25	50	98.7	14.0	16.9	98.1	14.4	17.0	97.5	14.9	17.1	97.1	15.2	17.2	96.7	15.4	17.2	95.8	16.0	17.4					
	60	99.4	14.1	18.2	98.8	14.5	18.3	98.1	15.0	18.4	97.7	15.2	18.4	97.3	15.5	18.5	96.4	16.1	18.6					
	96	101	14.2	20.7	100	14.6	20.7	99.7	15.1	20.8	99.3	15.4	20.8	98.9	15.6	20.9	97.9	16.2	20.9					
	120	102	14.3	21.5	101	14.7	21.6	100	15.2	21.6	99.9	15.4	21.6	99.4	15.7	21.7	98.4	16.3	21.7					
30	50	108	14.8	21.1	107	15.2	21.2	106	15.7	21.4	106	16.0	21.4	105	16.3	21.5	99.7	15.3	21.9					
	60	108	14.8	22.6	108	15.3	22.6	107	15.8	22.8	106	16.1	22.8	106	16.4	22.9	99.7	15.1	23.3					
	96	110	15.0	25.3	109	15.5	25.3	108	16.0	25.4	108	16.2	25.4	107	16.4	25.5	99.7	14.7	25.8					
	120	111	15.0	26.2	110	15.5	26.2	109	16.0	26.3	109	16.3	26.3	107	16.2	26.4	99.7	14.5	26.6					
35	50	117	15.6	25.3	116	16.1	25.5	114	16.5	25.6	111	15.7	25.9	107	14.9	26.2	99.7	13.4	26.8					
	60	117	15.6	26.9	116	16.1	27.0	114	16.3	27.2	111	15.5	27.4	107	14.7	27.6	99.7	13.2	28.1					
	96	119	15.8	29.9	118	16.3	29.9	114	15.8	30.1	111	15.1	30.2	107	14.3	30.4	99.7	12.9	30.7					
	120	120	15.9	30.9	119	16.3	30.9	114	15.7	31.1	111	14.9	31.2	107	14.2	31.3	99.7	12.7	31.5					
40	50	126	16.4	29.6	122	16.0	29.9	114	15.9	30.6	111	15.1	30.9	107	14.3	31.1	99.7	12.9	31.7					
	60	126	16.5	31.3	122	15.8	31.6	114	15.7	32.1	111	14.9	32.4	107	14.2	32.6	99.7	12.8	33.1					
	96	128	16.6	34.4	122	15.4	34.7	114	15.2	35.1	111	14.5	35.2	107	13.8	35.4	99.7	12.4	35.7					
	120	129	16.7	35.5	122	15.2	35.8	114	15.1	36.0	111	14.4	36.2	107	13.7	36.3	99.7	12.3	36.5					
45	50	129	16.3	34.2	122	15.6	34.9	114	15.3	35.5	111	14.6	35.8	107	13.9	36.1	99.7	12.5	36.7					
	60	129	16.1	36.0	122	15.4	36.5	114	15.1	37.1	111	14.4	37.3	107	13.7	37.6	99.7	12.4	38.0					
	96	129	15.6	39.4	122	15.0	39.7	114	14.7	40.0	111	14.0	40.2	107	13.4	40.3	99.7	12.1	40.6					
	120	129	15.5	40.5	122	14.9	40.7	114	14.6	41.0	111	13.9	41.1	107	13.2	41.3	99.7	12.0	41.5					
120	10	50	43.6	9.39	6.73	44.9	8.77	6.55	46.0	8.28	6.40	46.4	8.09	6.34	46.8	7.92	6.28	47.5	7.70	6.20				
		60	52.9	9.79	6.57	53.7	9.43	6.48	54.3	9.20	6.41	54.6	9.13	6.38	54.7	9.09	6.36	55.0	9.10	6.35				
		96	71.5	12.5	7.06	71.5	12.6	7.07	71.5	12.8	7.08	71.4	12.9	7.09	71.2	13.1	7.11	70.8	13.5	7.15				
		120	75.1	13.1	7.53	75.1	13.3	7.54	74.9	13.6	7.56	74.7	13.7	7.57	74.5	13.9	7.59	74.0	14.4	7.63				
	15	50	74.9	12.9	9.07	74.9	13.1	9.10	74.7	13.4	9.14	74.5	13.6	9.17	74.3	13.8	9.21	73.9	14.2	9.30				
		60	77.0	13.0	9.9	76.9	13.2	9.9	76.6	13.6	10.0	76.4	13.7	10.0	76.2	14.0	10.0	75.7	14.5	10.1				
		96	82.3	13.3	11.6	82.0	13.6	11.6	81.6	14.0	11.6	81.4	14.2	11.7	81.1	14.5	11.7	80.4	15.0	11.7				
		120	84.1	13.5	12.2	83.8	13.8	12.2	83.4	14.2	12.2	83.1	14.4	12.3	82.8	14.7	12.3	82.1	15.2	12.3				
	20	50	89.1	13.8	12.8	88.7	14.2	12.9	88.1	14.7	13.0	87.8	14.9	13.0	87.4	15.2	13.1	86.6	15.7	13.2				
		60	89.7	13.9	14.0	89.3	14.3	14.0	88.7	14.7	14.1	88.3	15.0	14.2	88.0	15.2	14.2	87.1	15.8	14.3				
		96	91.3	14.0	16.2	90.8	14.4	16.2	90.2	14.9	16.3	89.8	15.1	16.3	89.4	15.4	16.3	88.6	16.0	16.4				
		120	91.8	14.0	16.9	91.3	14.4	16.9	90.6	14.9	17.0	90.3	15.2	17.0	89.9	15.4	17.0	89.0	16.0	17.1				
25	50	97.9	14.6	17.0	97.3	15.0	17.1	96.5	15.5	17.3	96.1	15.8	17.3	95.6	16.1	17.4	92.0	15.6	17.7					
	60	98.6	14.6	18.3	97.9	15.1	18.4	97.1	15.6	18.5	96.7	15.9	18.6	96.2	16.1	18.6	92.0	15.4	18.9					
	96	100	14.8	20.7	99.5	15.3	20.8	98.7	15.8	20.9	98.3	16.0	20.9	97.8	16.3	20.9	92.0	15.0	21.2					
	120	101	14.8	21.6	100	15.3	21.6	99.2	15.8	21.7	98.8	16.1	21.7	98.3	16.4	21.7	92.0	14.8	21.9					
30	50	107	15.4	21.3	106	15.9	21.4	105	16.4	21.5	102	15.9	21.7	98.8	15.0	22.0	92.0	13.5	22.5					
	60	107	15.5	22.7	106	16.0	22.8	106	16.5	22.9	102	15.7	23.1	98.8	14.9	23.3	92.0	13.4	23.7					
	96	109	15.6	25.3	108	16.1	25.4	106	16.0	25.5	102	15.2	25.7	98.8	14.5	25.8	92.0	13.0	26.1					
	120	110	15.7	26.3	109	16.2	26.3	106	15.9	26.4	102	15.1	26.5	98.8	14.3	26.6	92.0	12.9	26.8					
35	50	115	16.2	25.5	112	16.0	25.8	106	14.6	26.3	102	13.9	26.6	98.8	13.2	26.8	92.0	11.9	27.3					
	60	116	16.3	27.1	112	15.9	27.3	106	14.4	27.7	102	13.7	28.0	98.8	13.0	28.2	92.0	11.7	28.6					
	96	118	16.5	30.0	112	15.4	30.2	106	14.0	30.4	102	13.3	30.6	98.8	12.7	30.7	92.0	11.4	31.0					
	120	119	16.5	30.9	112	15.3	31.1	106	13.9	31.3	102	13.2	31.5	98.8	12.6	31.6	92.0	11.3	31.8					
40	50	119	15.5	30.1	112	15.4	30.7	106	14.0	31.3	102	13.4	31.5	98.8	12.7	31.8	92.0	11.5	32.3					
	60	119	15.3	31.7	112	15.3	32.3	106	13.9	32.7	102	13.2	32.9	98.8	12.6	33.1	92.0	11.4	33.6					
	96	119	14.9	34.8	112	14.8	35.1	106	13.5	35.4	102	12.9	35.6	98.8	12.3	35.7	92.0	11.1	36.0					
	120	119	14.8	35.8	112	14.7	36.1	106	13.4	36.3	102	12.8	36.4	98.8	12.2	36.6	92.0	11.0	36.8					
45	50	119	15.1	35.1																				

# 4 Capacity tables

## 4 - 3 Heating capacity tables

### RWEYQ28PY1

TC: Total Capacity: kW ; PI: Power Input: kW (compressor + outdoor fan motor) ; OWT: Outlet Water Temperatur: °C

Combination (%)	Inlet Water Temp. (°C)	Water Volume L/min	Indoor air temperature: °CDB																	
			16.0			18.0			20.0			21.0			22.0			24.0		
			TC kW	PI kW	OWT °C	TC kW	PI kW	OWT °C	TC kW	PI kW	OWT °C	TC kW	PI kW	OWT °C	TC kW	PI kW	OWT °C	TC kW	PI kW	OWT °C
100	10	50	46.8	7.94	6.29	47.3	7.74	6.22	47.7	7.62	6.17	47.9	7.60	6.15	48.0	7.60	6.14	48.1	7.67	6.14
		60	54.7	9.09	6.37	55.0	9.08	6.35	55.0	9.16	6.35	55.0	9.23	6.35	55.0	9.32	6.36	54.8	9.56	6.40
		96	71.2	13.1	7.11	70.9	13.4	7.14	70.5	13.8	7.18	70.3	14.1	7.20	70.0	14.3	7.23	69.4	14.8	7.28
		120	74.5	13.9	7.59	74.2	14.3	7.62	73.7	14.7	7.65	73.4	15.0	7.67	73.1	15.3	7.70	72.4	15.8	7.75
	15	50	74.4	13.7	9.21	74.0	14.1	9.28	73.5	14.6	9.37	73.2	14.8	9.42	72.9	15.1	9.47	72.3	15.6	9.59
		60	76.2	13.9	10.0	75.8	14.3	10.1	75.3	14.8	10.2	75.0	15.0	10.2	74.7	15.3	10.3	74.0	15.9	10.4
		96	81.1	14.4	11.7	80.6	14.9	11.7	80.0	15.4	11.8	79.6	15.6	11.8	79.2	15.9	11.8	78.7	16.6	12.0
		120	82.8	14.6	12.3	82.3	15.1	12.3	81.6	15.6	12.4	81.2	15.8	12.4	80.9	16.1	12.4	80.7	17.1	12.5
	20	50	87.5	15.1	13.1	86.8	15.6	13.2	86.1	16.1	13.3	85.2	16.2	13.4	82.3	15.3	13.6	76.7	13.8	14.0
		60	88.0	15.2	14.2	87.4	15.7	14.3	86.6	16.2	14.4	85.2	16.0	14.5	82.3	15.2	14.7	76.7	13.6	15.0
		96	89.5	15.3	16.3	88.8	15.8	16.4	88.0	16.3	16.4	85.2	15.5	16.5	82.3	14.7	16.6	76.7	13.2	16.8
		120	89.9	15.4	17.0	89.2	15.9	17.1	88.0	16.2	17.1	85.2	15.4	17.2	82.3	14.6	17.3	76.7	13.1	17.5
25	50	95.7	16.0	17.4	93.7	16.0	17.6	88.0	14.5	18.0	85.2	13.8	18.2	82.3	13.1	18.4	76.7	11.8	18.8	
	60	96.3	16.1	18.6	93.7	15.8	18.8	88.0	14.4	19.1	85.2	13.7	19.3	82.3	13.0	19.5	76.7	11.7	19.8	
	96	97.9	16.3	20.9	93.7	15.4	21.1	88.0	14.0	21.3	85.2	13.3	21.4	82.3	12.7	21.5	76.7	11.4	21.8	
	120	98.4	16.3	21.7	93.7	15.2	21.9	88.0	13.9	22.0	85.2	13.2	22.1	82.3	12.5	22.2	76.7	11.3	22.4	
30	50	99.3	15.2	22.0	93.7	13.9	22.4	88.0	12.6	22.8	85.2	12.0	23.0	82.3	11.4	23.2	76.7	10.3	23.7	
	60	99.3	15.0	23.3	93.7	13.7	23.6	88.0	12.5	24.0	85.2	11.9	24.2	82.3	11.3	24.3	76.7	10.2	24.7	
	96	99.3	14.6	25.8	93.7	13.3	26.0	88.0	12.2	26.2	85.2	11.6	26.3	82.3	11.0	26.5	76.7	9.97	26.7	
	120	99.3	14.4	26.6	93.7	13.2	26.8	88.0	12.0	27.0	85.2	11.5	27.1	82.3	10.9	27.2	76.7	9.88	27.3	
35	50	99.3	13.3	26.8	93.7	12.2	27.2	88.0	11.1	27.7	85.2	10.6	27.9	82.3	10.1	28.1	76.7	9.15	28.5	
	60	99.3	13.1	28.1	93.7	12.0	28.5	88.0	11.0	28.9	85.2	10.5	29.1	82.3	10.0	29.2	76.7	9.06	29.6	
	96	99.3	12.8	30.7	93.7	11.7	30.9	88.0	10.7	31.2	85.2	10.2	31.3	82.3	9.75	31.4	76.7	8.84	31.6	
	120	99.3	12.7	31.6	93.7	11.6	31.7	88.0	10.6	31.9	85.2	10.1	32.0	82.3	9.67	32.1	76.7	8.77	32.3	
40	50	99.3	12.8	31.7	93.7	11.8	32.2	88.0	10.8	32.6	85.2	10.3	32.8	82.3	9.84	33.1	76.7	8.92	33.5	
	60	99.3	12.7	33.1	93.7	11.7	33.5	88.0	10.7	33.8	85.2	10.2	34.0	82.3	9.75	34.2	76.7	8.84	34.6	
	96	99.3	12.4	35.7	93.7	11.4	35.9	88.0	10.4	36.1	85.2	9.95	36.3	82.3	9.51	36.4	76.7	8.62	36.6	
	120	99.3	12.3	36.5	93.7	11.3	36.7	88.0	10.3	36.9	85.2	9.87	37.0	82.3	9.43	37.1	76.7	8.55	37.3	
45	50	99.3	12.4	36.7	93.7	11.5	37.1	88.0	10.5	37.6	85.2	10.1	37.8	82.3	9.60	38.0	76.7	8.70	38.5	
	60	99.3	12.3	38.1	93.7	11.3	38.4	88.0	10.4	38.8	85.2	9.95	39.0	82.3	9.50	39.2	76.7	8.61	39.6	
	96	99.3	12.0	40.7	93.7	11.1	40.9	88.0	10.2	41.1	85.2	9.70	41.2	82.3	9.27	41.4	76.7	8.40	41.6	
	120	99.3	11.9	41.5	93.7	11.0	41.7	88.0	10.1	41.9	85.2	9.63	42.0	82.3	9.19	42.1	76.7	8.33	42.3	
90	10	50	47.7	7.64	6.18	47.9	7.60	6.15	48.1	7.63	6.14	48.1	7.67	6.14	48.0	7.73	6.14	48.0	7.91	6.17
		60	55.0	9.13	6.35	55.0	9.25	6.35	54.9	9.44	6.38	54.8	9.56	6.40	54.7	9.70	6.42	54.4	10.0	6.47
		96	70.6	13.7	7.17	70.2	14.1	7.21	69.7	14.6	7.26	69.4	14.8	7.28	69.1	15.1	7.31	68.4	15.7	7.38
		120	73.8	14.6	7.64	73.3	15.1	7.68	72.7	15.6	7.72	72.4	15.8	7.75	72.1	16.1	7.77	69.0	15.4	7.87
	15	50	73.6	14.5	9.34	73.1	14.9	9.43	72.6	15.4	9.54	72.3	15.7	9.59	71.9	15.9	9.7	69.0	15.3	9.9
		60	75.4	14.7	10.2	74.9	15.1	10.2	74.3	15.6	10.3	74.0	15.9	10.4	73.6	16.2	10.4	69.0	14.7	10.7
		96	80.1	15.2	11.8	79.5	15.7	11.8	78.8	16.2	11.9	78.7	15.6	12.0	74.1	14.8	12.1	69.0	13.3	12.2
		120	81.8	15.4	12.4	81.1	15.9	12.4	79.2	15.9	12.5	78.7	15.1	12.5	74.1	14.3	12.6	69.0	12.9	12.8
	20	50	86.2	16.0	13.3	84.3	15.9	13.5	79.2	14.4	13.8	76.7	13.7	14.0	74.1	13.1	14.2	69.0	11.8	14.5
		60	86.8	16.0	14.4	84.3	15.7	14.5	79.2	14.3	14.8	76.7	13.6	15.0	74.1	12.9	15.1	69.0	11.6	15.4
		96	88.2	16.2	16.4	84.3	15.3	16.6	79.2	13.9	16.8	76.7	13.2	16.8	74.1	12.6	16.9	69.0	11.3	17.1
		120	88.7	16.3	17.1	84.3	15.1	17.2	79.2	13.8	17.4	76.7	13.1	17.5	74.1	12.5	17.5	69.0	11.2	17.7
25	50	89.4	14.9	17.9	84.3	13.6	18.2	79.2	12.4	18.6	76.7	11.8	18.8	74.1	11.3	19.0	69.0	10.2	19.4	
	60	89.4	14.7	19.1	84.3	13.5	19.4	79.2	12.3	19.7	76.7	11.7	19.8	74.1	11.1	20.0	69.0	10.1	20.3	
	96	89.4	14.3	21.3	84.3	13.1	21.5	79.2	11.9	21.7	76.7	11.4	21.8	74.1	10.8	21.9	69.0	9.80	22.1	
	120	89.4	14.2	22.0	84.3	13.0	22.2	79.2	11.8	22.3	76.7	11.3	22.4	74.1	10.8	22.5	69.0	9.72	22.6	
30	50	89.4	12.9	22.7	84.3	11.8	23.1	79.2	10.8	23.5	76.7	10.3	23.7	74.1	9.85	23.9	69.0	8.92	24.3	
	60	89.4	12.8	23.9	84.3	11.7	24.2	79.2	10.7	24.5	76.7	10.2	24.7	74.1	9.75	24.9	69.0	8.83	25.2	
	96	89.4	12.4	26.2	84.3	11.4	26.4	79.2	10.4	26.6	76.7	9.96	26.7	74.1	9.50	26.8	69.0	8.62	27.0	
	120	89.4	12.3	26.9	84.3	11.3	27.1	79.2	10.3	27.3	76.7	9.88	27.3	74.1	9.42	27.4	69.0	8.55	27.6	
35	50	89.4	11.4	27.5	84.3	10.4	27.9	79.2	9.57	28.3	76.7	9.15	28.6	74.1	8.73	28.8	69.0	7.94	29.2	
	60	89.4	11.2	28.8	84.3	10.3	29.1	79.2	9.47	29.4	76.7	9.06	29.6	74.1	8.65	29.8	69.0	7.87	30.1	
	96	89.4	11.0	31.1	84.3	10.1	31.3	79.2	9.24	31.5	76.7	8.83	31.6	74.1	8.44	31.7	69.0	7.68	31.9	
	120	89.4	10.9	31.9	84.3	9.99	32.0	79.2	9.16	32.2	76.7	8.76	32.3	74.1	8.37	32.4	69.0	7.62	32.6	
40	50	89.4	11.0	32.5	84.3	10.2	32.9	79.2	9.33	33.3	76.7	8.92	33.5	74.1	8.52	33.7	69.0	7.74	34.1	
	60	89.4	10.9	33.8	84.3	10.1	34.1	79.2	9.24	34.4	76.7	8.83	34.6	74.1	8.43	34.8	69.0	7.67	35.1	
	96	89.4	10.6	36.1	84.3	9.81	36.3	79.2	9.01	36.5	76.7	8.61	36.6	74.1	8.23	36.7	69.0	7.49	36.9	
	120	89.4	10.6	36.9	84.3	9.73														



# 4 Capacity tables

## 4 - 3 Heating capacity tables

RWEYQ28PY1														TC: Total Capacity: kW ; PI: Power Input: kW (compressor + outdoor fan motor) ; OWT: Outlet Water Temperatur: °C											
Combination (%)	Inlet Water Temp. (°C)	Water Volume L/min	Indoor air temperature: °CDB																						
			16.0			18.0			20.0			21.0			22.0			24.0							
			TC kW	PI kW	OWT °C	TC kW	PI kW	OWT °C	TC kW	PI kW	OWT °C	TC kW	PI kW	OWT °C	TC kW	PI kW	OWT °C	TC kW	PI kW	OWT °C					
70	10	50	48.0	7.89	6.17	47.8	8.07	6.20	47.6	8.30	6.25	47.4	8.43	6.27	47.3	8.57	6.30	46.9	8.89	6.37					
		60	54.4	10.0	6.46	54.1	10.3	6.51	53.7	10.6	6.57	53.5	10.8	6.60	53.2	11.0	6.84	52.7	11.4	6.71					
		96	68.5	15.6	7.37	65.6	14.8	7.47	61.6	13.4	7.60	59.6	12.8	7.67	57.6	12.2	7.74	53.7	11.0	7.87					
		120	69.5	15.6	7.85	65.6	14.3	7.96	61.6	13.0	8.06	59.6	12.4	8.12	57.6	11.8	8.17	53.7	10.6	8.29					
	15	50	69.5	15.5	9.84	65.6	14.2	10.09	61.6	12.9	10.35	59.6	12.3	10.5	57.6	11.7	10.6	53.7	10.54	10.9					
		60	69.5	14.9	10.7	65.6	13.6	10.9	61.6	12.4	11.1	59.6	11.8	11.2	57.6	11.2	11.3	53.7	10.15	11.5					
		96	69.5	13.4	12.2	65.6	12.3	12.4	61.6	11.2	12.5	59.6	10.7	12.6	57.6	10.2	12.6	53.7	9.24	12.8					
		120	69.5	13.0	12.8	65.6	11.9	12.9	61.6	10.9	13.0	59.6	10.4	13.0	57.6	9.9	13.1	53.7	8.96	13.2					
	20	50	69.5	11.9	14.5	65.6	10.9	14.8	61.6	9.98	15.1	59.6	9.53	15.2	57.6	9.09	15.4	53.7	8.25	15.7					
		60	69.5	11.8	15.4	65.6	10.8	15.6	61.6	9.87	15.9	59.6	9.43	16.0	57.6	9.00	16.1	53.7	8.18	16.4					
		96	69.5	11.4	17.1	65.6	10.5	17.3	61.6	9.62	17.4	59.6	9.20	17.5	57.6	8.78	17.6	53.7	7.98	17.7					
		120	69.5	11.3	17.7	65.6	10.4	17.8	61.6	9.54	17.9	59.6	9.12	18.0	57.6	8.71	18.1	53.7	7.92	18.2					
25	50	69.5	10.3	19.3	65.6	9.45	19.6	61.6	8.68	19.9	59.6	8.30	20.1	57.6	7.94	20.3	53.7	7.23	20.6						
	60	69.5	10.2	20.3	65.6	9.36	20.5	61.6	8.59	20.8	59.6	8.22	20.9	57.6	7.86	21.0	53.7	7.17	21.3						
	96	69.5	9.90	22.0	65.6	9.12	22.2	61.6	8.38	22.4	59.6	8.02	22.4	57.6	7.67	22.5	53.7	7.00	22.7						
	120	69.5	9.82	22.6	65.6	9.05	22.8	61.6	8.32	22.9	59.6	7.96	22.9	57.6	7.62	23.0	53.7	6.95	23.1						
30	50	69.5	9.01	24.2	65.6	8.32	24.5	61.6	7.66	24.8	59.6	7.35	25.0	57.6	7.04	25.2	53.7	6.44	25.5						
	60	69.5	8.92	25.2	65.6	8.24	25.4	61.6	7.59	25.7	59.6	7.28	25.8	57.6	6.97	26.0	53.7	6.38	26.2						
	96	69.5	8.70	27.0	65.6	8.04	27.1	61.6	7.41	27.3	59.6	7.11	27.4	57.6	6.81	27.5	53.7	6.24	27.6						
	120	69.5	8.63	27.6	65.6	7.98	27.7	61.6	7.36	27.8	59.6	7.06	27.9	57.6	6.76	28.0	53.7	6.20	28.1						
35	50	69.5	8.02	29.1	65.6	7.43	29.4	61.6	6.86	29.8	59.6	6.59	29.9	57.6	6.32	30.1	53.7	5.81	30.4						
	60	69.5	7.94	30.1	65.6	7.36	30.4	61.6	6.80	30.6	59.6	6.53	30.8	57.6	6.27	30.9	53.7	5.76	31.2						
	96	69.5	7.75	31.9	65.6	7.19	32.1	61.6	6.65	32.3	59.6	6.39	32.4	57.6	6.13	32.4	53.7	5.64	32.6						
	120	69.5	7.69	32.5	65.6	7.13	32.7	61.6	6.60	32.8	59.6	6.34	32.9	57.6	6.09	32.9	53.7	5.60	33.1						
40	50	69.5	7.82	34.1	65.6	7.24	34.4	61.6	6.69	34.8	59.6	6.42	34.9	57.6	6.16	35.1	53.7	5.66	35.4						
	60	69.5	7.74	35.1	65.6	7.17	35.4	61.6	6.63	35.6	59.6	6.37	35.8	57.6	6.11	35.9	53.7	5.61	36.2						
	96	69.5	7.56	36.9	65.6	7.01	37.1	61.6	6.48	37.3	59.6	6.23	37.3	57.6	5.98	37.4	53.7	5.50	37.6						
	120	69.5	7.50	37.5	65.6	6.96	37.7	61.6	6.43	37.8	59.6	6.18	37.9	57.6	5.93	37.9	53.7	5.46	38.1						
45	50	69.5	7.62	39.1	65.6	7.06	39.4	61.6	6.52	39.7	59.6	6.26	39.9	57.6	6.01	40.1	53.7	5.52	40.4						
	60	69.5	7.55	40.1	65.6	6.99	40.3	61.6	6.46	40.6	59.6	6.21	40.7	57.6	5.96	40.9	53.7	5.47	41.2						
	96	69.5	7.37	41.9	65.6	6.83	42.1	61.6	6.32	42.2	59.6	6.07	42.3	57.6	5.83	42.4	53.7	5.36	42.6						
	120	69.5	7.31	42.5	65.6	6.78	42.7	61.6	6.27	42.8	59.6	6.03	42.9	57.6	5.79	42.9	53.7	5.32	43.1						
60	10	50	47.4	8.4	6.27	47.2	8.7	6.32	46.8	9.0	6.38	46.6	9.1	6.42	46.4	9.3	6.45	45.9	9.63	6.53					
		60	53.5	10.8	6.60	53.1	11.1	6.66	52.6	11.5	6.73	51.1	11.0	6.81	49.4	10.5	6.90	46.0	9.39	7.08					
		96	59.6	12.8	7.67	56.2	11.7	7.79	52.8	10.7	7.90	51.1	10.2	7.96	49.4	9.72	8.02	46.0	8.80	8.15					
		120	59.6	12.4	8.12	56.2	11.3	8.21	52.8	10.4	8.31	51.1	9.9	8.36	49.4	9.44	8.41	46.0	8.56	8.51					
	15	50	59.6	12.3	10.5	56.2	11.3	10.7	52.8	10.29	10.9	51.1	9.82	11.1	49.4	9.37	11.2	46.0	8.50	11.4					
		60	59.6	11.8	11.2	56.2	10.8	11.4	52.8	9.91	11.6	51.1	9.47	11.7	49.4	9.03	11.8	46.0	8.20	12.0					
		96	59.6	10.7	12.6	56.2	9.85	12.7	52.8	9.03	12.8	51.1	8.64	12.9	49.4	8.25	13.0	46.0	7.51	13.1					
		120	59.6	10.4	13.0	56.2	9.54	13.1	52.8	8.76	13.2	51.1	8.38	13.3	49.4	8.01	13.4	46.0	7.30	13.5					
	20	50	59.6	9.52	15.2	56.2	8.78	15.5	52.8	8.07	15.7	51.1	7.73	15.9	49.4	7.40	16.0	46.0	6.76	16.2					
		60	59.6	9.43	16.0	56.2	8.70	16.2	52.8	8.00	16.4	51.1	7.66	16.5	49.4	7.33	16.7	46.0	6.70	16.9					
		96	59.6	9.19	17.5	56.2	8.48	17.6	52.8	7.81	17.8	51.1	7.48	17.8	49.4	7.16	17.9	46.0	6.55	18.0					
		120	59.6	9.11	18.0	56.2	8.41	18.1	52.8	7.75	18.2	51.1	7.42	18.3	49.4	7.11	18.3	46.0	6.50	18.4					
25	50	59.6	8.29	20.1	56.2	7.68	20.4	52.8	7.08	20.6	51.1	6.80	20.8	49.4	6.52	20.9	46.0	5.98	21.2						
	60	59.6	8.22	20.9	56.2	7.60	21.1	52.8	7.02	21.4	51.1	6.74	21.5	49.4	6.46	21.6	46.0	5.93	21.8						
	96	59.6	8.02	22.4	56.2	7.42	22.6	52.8	6.86	22.7	51.1	6.58	22.8	49.4	6.32	22.9	46.0	5.80	23.0						
	120	59.6	7.96	22.9	56.2	7.37	23.1	52.8	6.81	23.2	51.1	6.54	23.2	49.4	6.27	23.3	46.0	5.76	23.4						
30	50	59.6	7.34	25.0	56.2	6.81	25.3	52.8	6.31	25.6	51.1	6.07	25.7	49.4	5.83	25.8	46.0	5.37	26.1						
	60	59.6	7.27	25.8	56.2	6.75	26.1	52.8	6.25	26.3	51.1	6.01	26.4	49.4	5.78	26.5	46.0	5.32	26.8						
	96	59.6	7.10	27.4	56.2	6.60	27.5	52.8	6.12	27.7	51.1	5.88	27.8	49.4	5.66	27.8	46.0	5.22	28.0						
	120	59.6	7.05	27.9	56.2	6.55	28.0	52.8	6.08	28.1	51.1	5.84	28.2	49.4	5.62	28.3	46.0	5.18	28.4						
35	50	59.6	6.58	29.9	56.2	6.13	30.2	52.8	5.69	30.5	51.1	5.48	30.6	49.4	5.28	30.8	46.0	4.88	31.1						
	60	59.6	6.52	30.8	56.2	6.08	31.0	52.8	5.65	31.2	51.1	5.44	31.4	49.4	5.24	31.5	46.0	4.84	31.7						
	96	59.6	6.38	32.4	56.2	5.95	32.5	52.8	5.53	32.6	51.1	5.33	32.7	49.4	5.13	32.8	46.0	4.75	32.9						
	120	59.6	6.33	32.9	56.2	5.91	33.0	52.8	5.49	33.1	51.1	5.29	33.2	49.4	5.10	33.2	46.0	4.72	33.4						
40	50	59.6	6.42	34.9	56.2	5.98	35.2	52.8	5.55	35.5	51.1	5.35	35.6	49.4	5.15	35.8	46.0	4.76	36.1						
	60	59.6	6.36	35.8	56.2	5.93	36.0	52.8	5.51	36.2	51.1	5.30	36.4	49.4	5.11	36.5	46.0	4.72	36.7						
	96	59.6	6.22	37.3	56.2	5.80	37.5	52.8	5.39	37.6	51.1	5.20	37.7	49.4	5.00	37.8	46.0	4.63	37.9						
	120	59.6	6.18	37.9	56.2	5.76	38.0	52.8	5.36	38.1	51.1														

# 4 Capacity tables

## 4 - 3 Heating capacity tables

### RWEYQ30PY1

TC: Total Capacity: kW ; PI: Power Input: kW (compressor + outdoor fan motor) ; OWT: Outlet Water Temperatur: °C

Combination (%)	Inlet Water Temp. (°C)	Water Volume L/min	Indoor air temperature: °CDB																	
			16.0			18.0			20.0			21.0			22.0			24.0		
			TC kW	PI kW	OWT °C	TC kW	PI kW	OWT °C	TC kW	PI kW	OWT °C	TC kW	PI kW	OWT °C	TC kW	PI kW	OWT °C	TC kW	PI kW	OWT °C
130	10	50	44.4	11.7	6.88	46.2	10.7	6.61	47.8	9.93	6.38	48.5	9.60	6.28	49.2	9.30	6.19	50.2	8.84	6.05
		60	55.1	11.7	6.54	56.4	11.1	6.39	57.4	10.6	6.27	57.8	10.4	6.22	58.2	10.3	6.18	58.7	10.1	6.13
		96	76.4	13.8	6.89	76.7	13.8	6.87	76.8	13.9	6.87	76.8	14.0	6.87	76.8	14.2	6.88	76.5	14.5	6.91
	15	50	80.3	14.2	8.69	80.5	14.3	8.68	80.4	14.5	8.70	80.4	14.6	8.72	80.3	14.8	8.75	79.9	15.2	8.82
		60	82.6	14.2	9.56	82.7	14.4	9.56	82.6	14.6	9.59	82.5	14.8	9.61	82.3	15.0	9.64	81.9	15.4	9.7
		96	88.5	14.4	11.3	88.4	14.7	11.3	88.2	15.0	11.4	88.0	15.2	11.4	87.7	15.5	11.4	87.1	16.0	11.5
	20	50	96.2	14.9	12.2	95.9	15.2	12.3	95.4	15.6	12.4	95.1	15.9	12.4	94.7	16.2	12.5	94.0	16.8	12.6
		60	96.9	14.9	13.5	96.5	15.3	13.5	96.0	15.7	13.6	95.7	16.0	13.7	95.4	16.2	13.7	94.6	16.8	13.8
		96	98.6	15.0	15.8	98.2	15.4	15.9	97.7	15.9	15.9	97.3	16.2	16.0	97.0	16.4	16.0	96.1	17.0	16.1
	25	50	106	15.6	16.4	105	16.0	16.5	105	16.5	16.6	104	16.8	16.6	104	17.1	16.7	103	17.8	16.9
		60	107	15.6	17.8	106	16.1	17.8	105	16.6	17.9	105	16.9	18.0	104	17.2	18.1	103	17.8	18.2
		96	109	15.8	20.4	108	16.3	20.4	107	16.8	20.5	107	17.1	20.5	106	17.4	20.6	105	18.0	20.7
30	50	116	16.4	20.5	115	16.9	20.6	114	17.5	20.8	113	17.8	20.9	113	18.1	20.9	107	18.9	21.4	
	60	116	16.5	22.0	116	17.0	22.2	115	17.6	22.3	114	17.9	22.3	114	18.2	22.4	107	18.8	22.8	
	96	118	16.7	24.9	117	17.2	25.0	117	17.7	25.1	116	18.0	25.1	115	18.2	25.2	107	18.3	25.5	
35	50	125	17.3	24.7	124	17.8	24.8	123	18.3	25.0	119	17.4	25.3	115	16.5	25.6	107	14.8	26.2	
	60	126	17.4	26.3	125	17.9	26.5	123	18.1	26.7	119	17.2	26.9	115	16.3	27.1	107	14.7	27.6	
	96	128	17.6	29.5	127	18.1	29.6	123	17.6	29.8	119	16.7	29.9	115	15.9	30.1	107	14.3	30.4	
40	50	135	18.2	28.9	131	17.8	29.2	123	17.6	29.9	119	16.8	30.2	115	15.9	30.5	107	14.3	31.1	
	60	136	18.3	30.7	131	17.6	31.0	123	17.4	31.6	119	16.6	31.9	115	15.8	32.1	107	14.2	32.6	
	96	138	18.5	34.1	131	17.1	34.3	123	16.9	34.7	119	16.1	34.9	115	15.3	35.0	107	13.8	35.4	
45	50	139	18.5	35.2	131	16.9	35.5	123	16.8	35.8	119	16.0	35.9	115	15.2	36.0	107	13.7	36.3	
	60	139	18.1	33.5	131	17.3	34.2	123	17.0	34.9	119	16.2	35.2	115	15.4	35.5	107	13.9	36.1	
	96	139	17.9	35.4	131	17.1	36.0	123	16.8	36.6	119	16.0	36.8	115	15.2	37.1	107	13.8	37.6	
120	10	50	46.8	10.4	6.52	48.2	9.74	6.32	49.4	9.20	6.16	49.9	8.98	6.09	50.3	8.80	6.04	51.0	8.55	5.95
		60	56.8	10.9	6.35	57.7	10.5	6.24	58.3	10.2	6.17	58.6	10.1	6.14	58.8	10.1	6.12	59.1	10.1	6.10
		96	76.8	13.8	6.87	76.8	14.0	6.87	76.7	14.2	6.89	76.6	14.4	6.90	76.5	14.6	6.92	76.1	15.0	6.96
	15	50	80.5	14.3	8.68	80.4	14.6	8.71	80.2	14.9	8.76	80.0	15.1	8.79	79.8	15.3	8.83	79.3	15.8	8.93
		60	82.7	14.4	9.57	82.5	14.7	9.60	82.3	15.1	9.65	82.1	15.3	9.68	81.8	15.5	9.72	81.3	16.1	9.81
		96	88.4	14.8	11.3	88.1	15.1	11.4	87.6	15.6	11.4	87.4	15.8	11.4	87.1	16.1	11.5	86.4	16.7	11.5
	20	50	95.7	15.4	12.3	95.2	15.8	12.4	94.6	16.3	12.5	94.2	16.6	12.6	93.9	16.8	12.6	93.0	17.5	12.8
		60	96.4	15.4	13.6	95.8	15.8	13.6	95.2	16.3	13.7	94.9	16.6	13.8	94.5	16.9	13.8	93.6	17.6	13.9
		96	98.0	15.6	15.9	97.5	16.0	15.9	96.8	16.5	16.0	96.4	16.8	16.0	96.0	17.1	16.1	95.1	17.7	16.2
	25	50	105	16.2	16.5	104	16.7	16.6	104	17.3	16.7	103	17.5	16.8	103	17.9	16.9	98.8	17.3	17.2
		60	106	16.3	17.9	105	16.8	18.0	104	17.3	18.1	104	17.6	18.1	103	17.9	18.2	98.8	17.1	18.5
		96	108	16.4	20.5	107	16.9	20.5	106	17.5	20.6	106	17.8	20.6	105	18.1	20.7	98.8	16.6	20.9
30	50	115	17.1	20.7	114	17.6	20.8	113	18.2	21.0	110	17.6	21.2	106	16.7	21.5	98.8	15.0	22.0	
	60	115	17.2	22.2	114	17.7	22.3	113	18.3	22.4	110	17.4	22.6	106	16.5	22.9	98.8	14.8	23.3	
	96	117	17.4	25.0	116	17.9	25.1	113	17.8	25.2	110	16.9	25.4	106	16.1	25.5	98.8	14.4	25.8	
35	50	124	18.0	24.9	121	17.8	25.2	113	16.2	25.7	110	15.4	26.0	106	14.6	26.3	98.8	13.2	26.8	
	60	125	18.1	26.5	121	17.6	26.8	113	16.0	27.2	110	15.2	27.5	106	14.5	27.7	98.8	13.0	28.2	
	96	127	18.3	29.6	121	17.1	29.8	113	15.6	30.1	110	14.8	30.3	106	14.1	30.4	98.8	12.7	30.7	
40	50	128	18.4	30.7	121	17.0	30.9	113	15.4	31.1	110	14.7	31.2	106	14.0	31.3	98.8	12.6	31.6	
	60	128	17.2	29.4	121	17.1	30.1	113	15.6	30.7	110	14.9	30.9	106	14.1	31.2	98.8	12.8	31.8	
	96	128	17.0	31.2	121	17.0	31.7	113	15.4	32.2	110	14.7	32.4	106	14.0	32.7	98.8	12.6	33.1	
45	50	128	16.5	34.5	121	16.5	34.8	113	15.0	35.1	110	14.3	35.3	106	13.6	35.4	98.8	12.3	35.7	
	60	128	16.4	35.6	121	16.3	35.8	113	14.9	36.1	110	14.2	36.2	106	13.5	36.3	98.8	12.2	36.6	
	96	128	16.8	34.4	121	16.5	35.0	113	15.1	35.6	110	14.4	35.9	106	13.7	36.2	98.8	12.4	36.7	
110	10	50	48.8	9.47	6.24	49.8	9.03	6.11	50.5	8.71	6.00	50.8	8.60	5.96	51.1	8.51	5.93	51.5	8.44	5.89
		60	58.0	10.3	6.21	58.5	10.2	6.15	58.9	10.1	6.11	59.0	10.1	6.10	59.1	10.1	6.10	59.1	10.3	6.11
		96	76.8	14.1	6.88	76.7	14.3	6.90	76.4	14.7	6.93	76.2	14.9	6.95	76.0	15.2	6.97	75.4	15.7	7.03
	15	50	80.3	14.7	8.73	80.1	15.0	8.78	79.7	15.4	8.86	79.5	15.7	8.91	79.2	15.9	8.96	78.6	16.5	9.07
		60	82.4	14.9	9.62	82.1	15.2	9.67	81.7	15.7	9.74	81.4	15.9	9.78	81.1	16.2	9.83	80.4	16.8	9.93
		96	87.9	15.3	11.4	87.4	15.7	11.4	86.9	16.2	11.5	86.5	16.5	11.5	86.2	16.8	11.5	85.4	17.4	11.6
	20	50	94.9	16.0	12.5	94.3	16.5	12.6	93.6	17.0	12.7	93.2	17.3	12.7	92.8	17.6	12.8	90.6	17.7	13.0
		60	95.6	16.1	13.7	94.9	16.6	13.8	94.2	17.1	13.9	93.8	17.4	13.9	93.4	17.7	14.0	90.6	17.5	14.2
		96	97.2	16.2	16.0	96.5	16.7	16.0	95.8	17.3	16.1	95.3	17.6	16.1	94.9	17.9	16.2	90.6	17.0	16.3
	25	50	104	16.9	16.7	103	17.5	16.8	102	18.1	16.9	101	17.8	17.1	97.3	16.9	17.3	90.6	15.1	17.8
		60	105	17.0	18.0	104	17.5	18.1	103	18.1	18.2	101	17.6	18.4	97.3	16.7	18.6	90.6	15.0	19.0
		96	106	17.2	20.6	106	17.7	20.6	104	18.0	20.7	101	17.1	20.8	97.3	16.2	21.0	90.6	14.6	

# 4 Capacity tables

## 4 - 3 Heating capacity tables

RWEYQ30PY1													TC: Total Capacity: kW ; PI: Power Input: kW (compressor + outdoor fan motor) ; OWT: Outlet Water Temperatur: °C											
Combination (%)	Inlet Water Temp. (°C)	Water Volume L/min	Indoor air temperature: °CDB																					
			16.0			18.0			20.0			21.0			22.0			24.0						
			TC kW	PI kW	OWT °C	TC kW	PI kW	OWT °C	TC kW	PI kW	OWT °C	TC kW	PI kW	OWT °C	TC kW	PI kW	OWT °C	TC kW	PI kW	OWT °C				
100	10	50	50.2	8.8	6.04	50.8	8.6	5.96	51.3	8.5	5.91	51.4	8.4	5.89	51.5	8.4	5.88	51.6	8.5	5.88	51.6	8.5	5.88	
		60	58.8	10.1	6.12	59.0	10.1	6.10	59.1	10.2	6.10	59.1	10.3	6.11	59.1	10.3	6.12	58.9	10.6	6.16	58.9	10.6	6.16	
		96	76.5	14.5	6.92	76.2	14.9	6.95	75.7	15.4	7.00	75.5	15.6	7.02	75.2	15.9	7.05	74.5	16.5	7.11	74.5	16.5	7.11	
		120	80.1	15.4	7.43	79.6	15.9	7.46	79.1	16.4	7.50	78.8	16.7	7.53	78.5	16.9	7.55	77.8	17.6	7.60	77.8	17.6	7.60	
	15	50	79.9	15.3	8.83	79.5	15.7	8.91	78.9	16.2	9.00	78.6	16.5	9.06	78.3	16.7	9.12	77.6	17.4	9.25	77.6	17.4	9.25	
		60	81.9	15.5	9.71	81.4	15.9	9.78	80.9	16.4	9.87	80.5	16.7	9.92	80.2	17.0	10.0	79.4	17.6	10.1	79.4	17.6	10.1	
		96	87.1	16.0	11.5	86.5	16.5	11.5	85.9	17.1	11.6	85.5	17.4	11.6	85.1	17.7	11.6	82.4	17.4	11.8	82.4	17.4	11.8	
		120	89.0	16.2	12.1	88.3	16.7	12.2	87.6	17.3	12.2	87.2	17.6	12.2	86.8	17.9	12.3	82.4	16.8	12.4	82.4	16.8	12.4	
	20	50	93.9	16.8	12.6	93.2	17.3	12.7	92.4	17.9	12.9	91.5	18.0	13.0	88.4	17.0	13.2	82.4	15.3	13.6	82.4	15.3	13.6	
		60	94.5	16.9	13.8	93.8	17.4	13.9	93.0	18.0	14.0	91.5	17.8	14.1	88.4	16.8	14.3	82.4	15.1	14.6	82.4	15.1	14.6	
		96	96.1	17.0	16.1	95.3	17.6	16.1	94.5	18.2	16.2	91.5	17.3	16.3	88.4	16.4	16.4	82.4	14.7	16.6	82.4	14.7	16.6	
		120	96.6	17.1	16.8	95.8	17.6	16.9	94.5	18.0	17.0	91.5	17.1	17.0	88.4	16.2	17.1	82.4	14.6	17.3	82.4	14.6	17.3	
25	50	103	17.8	16.9	101	17.8	17.1	94.5	16.1	17.5	91.5	15.4	17.7	88.4	14.6	17.9	82.4	13.1	18.4	82.4	13.1	18.4		
	60	103	17.9	18.2	101	17.6	18.4	94.5	16.0	18.7	91.5	15.2	18.9	88.4	14.4	19.1	82.4	13.0	19.5	82.4	13.0	19.5		
	96	105	18.1	20.7	101	17.1	20.8	94.5	15.5	21.1	91.5	14.8	21.2	88.4	14.1	21.3	82.4	12.7	21.5	82.4	12.7	21.5		
	120	106	18.1	21.5	101	16.9	21.7	94.5	15.4	21.9	91.5	14.7	21.9	88.4	13.9	22.0	82.4	12.5	22.2	82.4	12.5	22.2		
30	50	107	16.8	21.4	101	15.4	21.9	94.5	14.0	22.3	91.5	13.4	22.5	88.4	12.7	22.8	82.4	11.5	23.2	82.4	11.5	23.2		
	60	107	16.7	22.8	101	15.2	23.2	94.5	13.9	23.6	91.5	13.2	23.8	88.4	12.6	24.0	82.4	11.4	24.3	82.4	11.4	24.3		
	96	107	16.2	25.5	101	14.8	25.7	94.5	13.5	26.0	91.5	12.9	26.1	88.4	12.3	26.2	82.4	11.1	26.5	82.4	11.1	26.5		
	120	107	16.0	26.4	101	14.7	26.6	94.5	13.4	26.8	91.5	12.8	26.9	88.4	12.1	27.0	82.4	11.0	27.2	82.4	11.0	27.2		
35	50	107	14.7	26.2	101	13.5	26.7	94.5	12.3	27.2	91.5	11.8	27.4	88.4	11.2	27.6	82.4	10.2	28.1	82.4	10.2	28.1		
	60	107	14.6	27.7	101	13.4	28.1	94.5	12.2	28.4	91.5	11.7	28.6	88.4	11.1	28.8	82.4	10.1	29.2	82.4	10.1	29.2		
	96	107	14.2	30.4	101	13.0	30.6	94.5	11.9	30.9	91.5	11.4	31.0	88.4	10.8	31.1	82.4	9.82	31.4	82.4	9.82	31.4		
	120	107	14.1	31.3	101	12.9	31.5	94.5	11.8	31.7	91.5	11.3	31.8	88.4	10.7	31.9	82.4	9.74	32.1	82.4	9.74	32.1		
40	50	107	14.3	31.2	101	13.1	31.6	94.5	12.0	32.1	91.5	11.5	32.4	88.4	10.9	32.6	82.4	9.91	33.1	82.4	9.91	33.1		
	60	107	14.1	32.6	101	13.0	33.0	94.5	11.9	33.4	91.5	11.3	33.6	88.4	10.8	33.8	82.4	9.81	34.2	82.4	9.81	34.2		
	96	107	13.7	35.4	101	12.6	35.6	94.5	11.6	35.9	91.5	11.1	36.0	88.4	10.6	36.1	82.4	9.57	36.4	82.4	9.57	36.4		
	120	107	13.6	36.3	101	12.5	36.5	94.5	11.5	36.7	91.5	11.0	36.8	88.4	10.5	36.9	82.4	9.50	37.1	82.4	9.50	37.1		
45	50	107	13.8	36.1	101	12.7	36.6	94.5	11.7	37.1	91.5	11.2	37.3	88.4	10.7	37.6	82.4	9.66	38.1	82.4	9.66	38.1		
	60	107	13.7	37.6	101	12.6	38.0	94.5	11.6	38.4	91.5	11.1	38.6	88.4	10.6	38.8	82.4	9.57	39.2	82.4	9.57	39.2		
	96	107	13.3	40.4	101	12.3	40.6	94.5	11.3	40.9	91.5	10.8	41.0	88.4	10.3	41.1	82.4	9.33	41.4	82.4	9.33	41.4		
	120	107	13.2	41.3	101	12.2	41.5	94.5	11.2	41.7	91.5	10.7	41.8	88.4	10.2	41.9	82.4	9.26	42.1	82.4	9.26	42.1		
90	10	50	51.2	8.49	5.92	51.5	8.44	5.89	51.6	8.47	5.88	51.6	8.52	5.88	51.6	8.59	5.89	51.5	8.78	5.92	51.5	8.78	5.92	
		60	59.1	10.1	6.10	59.1	10.3	6.11	59.0	10.5	6.14	58.9	10.6	6.16	58.7	10.8	6.18	58.4	11.1	6.24	58.4	11.1	6.24	
		96	75.9	15.3	6.98	75.4	15.7	7.03	74.8	16.2	7.08	74.5	16.5	7.11	74.2	16.8	7.14	73.5	17.4	7.21	73.5	17.4	7.21	
		120	79.3	16.2	7.49	78.7	16.7	7.53	78.1	17.3	7.58	77.8	17.6	7.60	77.4	17.9	7.63	74.1	17.2	7.73	74.1	17.2	7.73	
	15	50	79.1	16.1	8.98	78.6	16.5	9.08	77.9	17.1	9.19	77.6	17.4	9.25	77.2	17.7	9.31	74.1	17.0	9.55	74.1	17.0	9.55	
		60	81.0	16.3	9.85	80.4	16.8	9.93	79.8	17.4	10.0	79.4	17.6	10.1	79.0	18.0	10.1	74.1	16.4	10.4	74.1	16.4	10.4	
		96	86.0	16.9	11.6	85.4	17.5	11.6	84.6	18.0	11.7	82.3	17.3	11.8	79.6	16.5	11.9	74.1	14.8	12.0	74.1	14.8	12.0	
		120	87.8	17.2	12.2	87.1	17.7	12.2	85.1	17.6	12.3	82.3	16.7	12.4	79.6	15.9	12.5	74.1	14.3	12.6	74.1	14.3	12.6	
	20	50	92.6	17.7	12.8	90.5	17.7	13.0	85.1	16.0	13.4	82.3	15.3	13.6	79.6	14.5	13.8	74.1	13.1	14.2	74.1	13.1	14.2	
		60	93.2	17.8	14.0	90.5	17.5	14.2	85.1	15.9	14.5	82.3	15.1	14.6	79.6	14.4	14.8	74.1	12.9	15.1	74.1	12.9	15.1	
		96	94.7	18.0	16.2	90.5	17.0	16.3	85.1	15.4	16.5	82.3	14.7	16.6	79.6	14.0	16.7	74.1	12.6	16.9	74.1	12.6	16.9	
		120	95.2	18.1	16.9	90.5	16.8	17.1	85.1	15.3	17.2	82.3	14.6	17.3	79.6	13.8	17.4	74.1	12.5	17.5	74.1	12.5	17.5	
25	50	96.0	16.5	17.4	90.5	15.1	17.8	85.1	13.8	18.2	82.3	13.1	18.4	79.6	12.5	18.6	74.1	11.3	19.0	74.1	11.3	19.0		
	60	96.0	16.4	18.7	90.5	15.0	19.0	85.1	13.6	19.3	82.3	13.0	19.5	79.6	12.4	19.6	74.1	11.2	20.0	74.1	11.2	20.0		
	96	96.0	15.9	21.0	90.5	14.6	21.2	85.1	13.3	21.4	82.3	12.6	21.5	79.6	12.0	21.6	74.1	10.9	21.9	74.1	10.9	21.9		
	120	96.0	15.8	21.8	90.5	14.4	22.0	85.1	13.2	22.1	82.3	12.5	22.2	79.6	11.9	22.3	74.1	10.8	22.5	74.1	10.8	22.5		
30	50	96.0	14.4	22.2	90.5	13.2	22.6	85.1	12.0	23.0	82.3	11.5	23.2	79.6	10.9	23.4	74.1	9.91	23.9	74.1	9.91	23.9		
	60	96.0	14.2	23.5	90.5	13.0	23.8	85.1	11.9	24.2	82.3	11.4	24.4	79.6	10.8	24.5	74.1	9.81	24.9	74.1	9.81	24.9		
	96	96.0	13.8	25.9	90.5	12.7	26.1	85.1	11.6	26.3	82.3	11.1	26.5	79.6	10.6	26.6	74.1	9.57	26.8	74.1	9.57	26.8		
	120	96.0	13.7	26.7	90.5	12.6	26.9	85.1	11.5	27.1	82.3	11.0	27.2	79.6	10.5	27.2	74.1	9.50	27.4	74.1	9.50			

# 4 Capacity tables

## 4 - 3 Heating capacity tables

### RWEYQ30PY1

TC: Total Capacity: kW ; PI: Power Input: kW (compressor + outdoor fan motor) ; OWT: Outlet Water Temperatur: °C

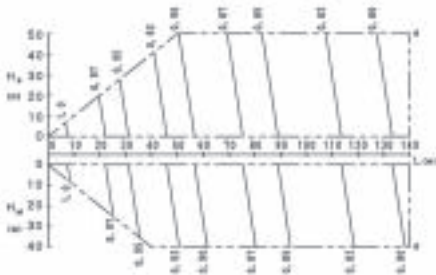
Combination (%)	Inlet Water Temp. (°C)	Water Volume L/min	Indoor air temperature: °CDB																	
			16.0			18.0			20.0			21.0			22.0			24.0		
			TC kW	PI kW	OWT °C	TC kW	PI kW	OWT °C	TC kW	PI kW	OWT °C	TC kW	PI kW	OWT °C	TC kW	PI kW	OWT °C	TC kW	PI kW	OWT °C
70	10	50	51.5	8.76	5.91	51.4	8.97	5.95	51.1	9.22	6.00	51.0	9.36	6.03	50.8	9.52	6.06	50.4	9.88	6.13
		60	58.4	11.1	6.23	58.1	11.4	6.28	57.7	11.8	6.35	57.4	12.0	6.38	57.2	12.2	6.42	56.6	12.7	6.50
		96	73.6	17.4	7.20	70.4	16.4	7.31	66.2	14.9	7.45	64.0	14.2	7.52	61.9	13.5	7.59	57.6	12.2	7.74
		120	74.7	17.3	7.72	70.4	15.8	7.83	66.2	14.4	7.94	64.0	13.7	8.00	61.9	13.1	8.06	57.6	11.8	8.17
	15	50	74.7	17.2	9.51	70.4	15.7	9.78	66.2	14.3	10.05	64.0	13.6	10.2	61.9	13.0	10.3	57.6	11.7	10.6
		60	74.7	16.5	10.4	70.4	15.1	10.6	66.2	13.8	10.8	64.0	13.1	10.9	61.9	12.5	11.1	57.6	11.3	11.3
		96	74.7	14.9	12.0	70.4	13.7	12.2	66.2	12.5	12.3	64.0	11.9	12.4	61.9	11.3	12.5	57.6	10.3	12.6
		120	74.7	14.4	12.6	70.4	13.2	12.7	66.2	12.1	12.8	64.0	11.5	12.9	61.9	11.0	13.0	57.6	10.0	13.1
	20	50	74.7	13.2	14.1	70.4	12.1	14.4	66.2	11.1	14.7	64.0	10.6	14.9	61.9	10.1	15.1	57.6	9.7	15.4
		60	74.7	13.1	15.1	70.4	12.0	15.3	66.2	11.0	15.6	64.0	10.5	15.7	61.9	10.0	15.9	57.6	9.08	16.1
		96	74.7	12.7	16.9	70.4	11.7	17.1	66.2	10.7	17.2	64.0	10.2	17.3	61.9	9.75	17.4	57.6	8.86	17.6
		120	74.7	12.6	17.5	70.4	11.6	17.7	66.2	10.6	17.8	64.0	10.1	17.9	61.9	9.67	17.9	57.6	8.79	18.1
25	50	74.7	11.4	19.0	70.4	10.5	19.3	66.2	9.64	19.6	64.0	9.22	19.8	61.9	8.82	19.9	57.6	8.04	20.3	
	60	74.7	11.3	20.0	70.4	10.4	20.2	66.2	9.54	20.5	64.0	9.13	20.6	61.9	8.73	20.8	57.6	7.96	21.0	
	96	74.7	11.0	21.8	70.4	10.1	22.0	66.2	9.31	22.2	64.0	8.91	22.3	61.9	8.53	22.3	57.6	7.78	22.5	
	120	74.7	10.9	22.5	70.4	10.1	22.6	66.2	9.24	22.7	64.0	8.84	22.8	61.9	8.46	22.9	57.6	7.72	23.0	
30	50	74.7	10.0	23.8	70.4	9.24	24.2	66.2	8.51	24.5	64.0	8.16	24.7	61.9	7.82	24.8	57.6	7.15	25.2	
	60	74.7	9.91	24.8	70.4	9.15	25.1	66.2	8.43	25.4	64.0	8.08	25.5	61.9	7.74	25.7	57.6	7.09	26.0	
	96	74.7	9.66	26.8	70.4	8.93	26.9	66.2	8.24	27.1	64.0	7.90	27.2	61.9	7.57	27.3	57.6	6.93	27.5	
	120	74.7	9.59	27.4	70.4	8.86	27.6	66.2	8.17	27.7	64.0	7.84	27.8	61.9	7.51	27.8	57.6	6.88	28.0	
35	50	74.7	8.90	28.7	70.4	8.25	29.1	66.2	7.62	29.4	64.0	7.32	29.6	61.9	7.02	29.8	57.6	6.45	30.1	
	60	74.7	8.82	29.8	70.4	8.17	30.0	66.2	7.55	30.3	64.0	7.25	30.5	61.9	6.96	30.6	57.6	6.40	30.9	
	96	74.7	8.61	31.7	70.4	7.98	31.9	66.2	7.38	32.1	64.0	7.09	32.2	61.9	6.81	32.3	57.6	6.26	32.4	
	120	74.7	8.55	32.4	70.4	7.92	32.5	66.2	7.33	32.7	64.0	7.04	32.7	61.9	6.76	32.8	57.6	6.22	33.0	
40	50	74.7	8.68	33.7	70.4	8.04	34.0	66.2	7.43	34.4	64.0	7.13	34.6	61.9	6.85	34.7	57.6	6.29	35.1	
	60	74.7	8.60	34.7	70.4	7.97	35.0	66.2	7.36	35.3	64.0	7.07	35.5	61.9	6.79	35.6	57.6	6.24	35.9	
	96	74.7	8.40	36.7	70.4	7.78	36.9	66.2	7.20	37.1	64.0	6.92	37.2	61.9	6.64	37.3	57.6	6.10	37.4	
	120	74.7	8.33	37.4	70.4	7.73	37.5	66.2	7.15	37.7	64.0	6.87	37.7	61.9	6.59	37.8	57.6	6.06	37.9	
45	50	74.7	8.47	38.7	70.4	7.84	39.0	66.2	7.24	39.4	64.0	6.96	39.5	61.9	6.67	39.7	57.6	6.13	40.1	
	60	74.7	8.39	39.7	70.4	7.77	40.0	66.2	7.18	40.3	64.0	6.89	40.5	61.9	6.62	40.6	57.6	6.08	40.9	
	96	74.7	8.19	41.7	70.4	7.59	41.9	66.2	7.02	42.1	64.0	6.74	42.2	61.9	6.47	42.2	57.6	5.95	42.4	
	120	74.7	8.12	42.4	70.4	7.53	42.5	66.2	6.97	42.6	64.0	6.69	42.7	61.9	6.43	42.8	57.6	5.91	42.9	
60	10	50	51.0	9.37	6.03	50.6	9.65	6.08	50.3	10.0	6.15	50.0	10.1	6.19	49.8	10.3	6.22	49.3	10.7	6.31
		60	57.4	12.0	6.38	57.0	12.4	6.45	56.5	12.8	6.52	54.9	12.3	6.61	53.1	11.6	6.70	49.4	10.4	6.90
		96	64.0	14.2	7.52	60.3	13.0	7.64	56.7	11.9	7.77	54.9	11.3	7.83	53.1	10.8	7.90	49.4	9.77	8.03
		120	64.0	13.7	8.00	60.3	12.6	8.10	56.7	11.5	8.20	54.9	11.0	8.25	53.1	10.5	8.31	49.4	9.51	8.41
	15	50	64.0	13.6	10.2	60.3	12.5	10.4	56.7	11.4	10.7	54.9	10.91	10.8	53.1	10.41	10.9	49.4	9.44	11.2
		60	64.0	13.1	10.9	60.3	12.0	11.2	56.7	11.0	11.4	54.9	10.52	11.5	53.1	10.04	11.6	49.4	9.11	11.8
		96	64.0	11.9	12.4	60.3	10.9	12.5	56.7	10.0	12.7	54.9	9.59	12.7	53.1	9.17	12.8	49.4	8.34	13.0
		120	64.0	11.5	12.9	60.3	10.6	13.0	56.7	9.73	13.1	54.9	9.31	13.2	53.1	8.90	13.2	49.4	8.11	13.4
	20	50	64.0	10.6	14.9	60.3	9.75	15.2	56.7	8.97	15.4	54.9	8.59	15.6	53.1	8.22	15.7	49.4	7.51	16.0
		60	64.0	10.5	15.7	60.3	9.66	16.0	56.7	8.88	16.2	54.9	8.51	16.3	53.1	8.14	16.4	49.4	7.44	16.7
		96	64.0	10.2	17.3	60.3	9.42	17.5	56.7	8.67	17.6	54.9	8.31	17.7	53.1	7.95	17.8	49.4	7.27	17.9
		120	64.0	10.1	17.9	60.3	9.35	18.0	56.7	8.60	18.1	54.9	8.24	18.1	53.1	7.89	18.2	49.4	7.22	18.3
25	50	64.0	9.21	19.8	60.3	8.53	20.0	56.7	7.87	20.3	54.9	7.55	20.5	53.1	7.24	20.6	49.4	6.64	20.9	
	60	64.0	9.13	20.6	60.3	8.45	20.9	56.7	7.80	21.1	54.9	7.48	21.2	53.1	7.18	21.3	49.4	6.58	21.6	
	96	64.0	8.91	22.3	60.3	8.25	22.4	56.7	7.62	22.6	54.9	7.31	22.6	53.1	7.02	22.7	49.4	6.44	22.9	
	120	64.0	8.84	22.8	60.3	8.18	22.9	56.7	7.56	23.0	54.9	7.26	23.1	53.1	6.97	23.2	49.4	6.40	23.3	
30	50	64.0	8.15	24.7	60.3	7.57	25.0	56.7	7.01	25.3	54.9	6.74	25.4	53.1	6.47	25.5	49.4	5.96	25.8	
	60	64.0	8.08	25.5	60.3	7.50	25.8	56.7	6.95	26.0	54.9	6.68	26.2	53.1	6.42	26.3	49.4	5.91	26.5	
	96	64.0	7.89	27.2	60.3	7.33	27.4	56.7	6.80	27.5	54.9	6.54	27.6	53.1	6.28	27.7	49.4	5.79	27.8	
	120	64.0	7.83	27.8	60.3	7.28	27.9	56.7	6.75	28.0	54.9	6.49	28.1	53.1	6.24	28.1	49.4	5.76	28.3	
35	50	64.0	7.31	29.6	60.3	6.81	29.9	56.7	6.33	30.2	54.9	6.09	30.3	53.1	5.86	30.5	49.4	5.42	30.8	
	60	64.0	7.25	30.5	60.3	6.75	30.7	56.7	6.27	31.0	54.9	6.04	31.1	53.1	5.82	31.2	49.4	5.38	31.5	
	96	64.0	7.09	32.2	60.3	6.61	32.3	56.7	6.14	32.5	54.9	5.92	32.6	53.1	5.70	32.6	49.4	5.28	32.8	
	120	64.0	7.04	32.7	60.3	6.56	32.9	56.7	6.10	33.0	54.9	5.88	33.1	53.1	5.66	33.1	49.4	5.24	33.2	
40	50	64.0	7.13	34.6	60.3	6.64	34.9	56.7	6.17	35.2	54.9	5.94	35.3	53.1	5.72	35.5	49.4	5.29	35.8	
	60	64.0	7.07	35.5	60.3	6.58	35.7	56.7	6.12	36.0	54.9	5.89	36.1	53.1	5.67	36.2	49.4	5.25	36.5	
	96	64.0	6.91	37.2	60.3	6.44	37.3	56.7	5.99	37.5	54.9	5.77	37.6	53.1	5.56	37.6	49.4	5.15	37.8	
	120	64.0	6.86	37.7	60.3	6.														

# 4 Capacity tables

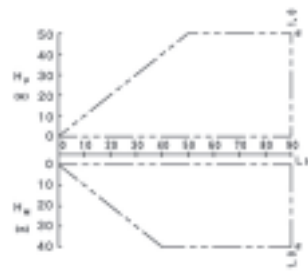
## 4 - 4 Capacity correction factor

### RWEYQ8P

• Correction ratio for cooling capacity



• Correction ratio for heating capacity



3D062332

### NOTES

1 These figures illustrate the rate of change in capacity for a standard indoor unit system at maximum load (with the thermostat set to maximum) under standard conditions. Moreover, under partial load conditions, there is only a minor deviation from the rate of change in capacity shown in the above figures.

2 With this outdoor unit, evaporating pressure constant control when cooling and condensing pressure constant control when heating is carried out.

3 Method of calculating A/C (cooling/heating) capacity:

The maximum A/C capacity of the system will be either the total A/C capacity of the indoor units obtained from capacity characteristic table or the maximum A/C capacity of the outside units as mentioned below, whichever smaller.

Calculating A/C capacity of outside units

• Condition: Indoor unit combination ratio does not exceed 100%

Maximum A/C capacity of outside units = A/C capacity of outside units obtained from capacity characteristic table at the 100% combination x capacity change rate due to piping length to the farthest indoor unit.

• Condition: Indoor unit combination ratio exceeds 100%

Maximum A/C capacity of outside units = A/C capacity of outside units obtained from capacity characteristic table at the combination x capacity change rate due to piping length to the farthest indoor unit.

4 When overall equivalent pipe length is 80m or more, the diameter of the main liquid pipes (outside unit-branch sections) must be increased.

Diameter of above case

Model	liquid pipe
RWEYQ8PY1	ø12.7

5 Read cooling/heating capacity rate of change in the above figures based on the following equivalent length.

Overall equivalent piping length = Equivalent length of main pipe x Correction factor + Equivalent length after branching

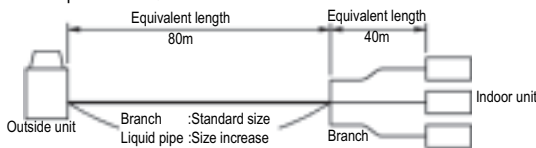
Choose a correction factor from the following table.

When cooling capacity is calculated: gas pipe size

When heating capacity is calculated: liquid pipe size.

Rate of change (object piping)	Correction factor	
	Standard size	Size increase
Cooling (gas pipe)	1.0	
Heating (liquid pipe)	1.0	0.5

Example RWEYQ8PY1



In the above case

(Cooling) Overall equivalent length = 80m x 1.0 + 40m x 1.0 = 120m

(Heating) Overall equivalent length = 80m x 0.5 + 40m x 1.0 = 80m

The correction factor in:

cooling capacity when height difference = 0 is thus approximately 0.78

heating capacity when height difference = 0 is thus approximately 1.0

6 Explanation of symbols

H<sub>p</sub>: Level difference (m) between indoor and outside units where indoor unit in inferior position

H<sub>M</sub>: Level difference (m) between indoor and outside units where indoor unit in superior position

L: Equivalent pipe length (m)

α: Capacity correction factor

Diameter of pipe

Model	liquid
RWEYQ8PY1	ø9.5



# 4 Capacity tables

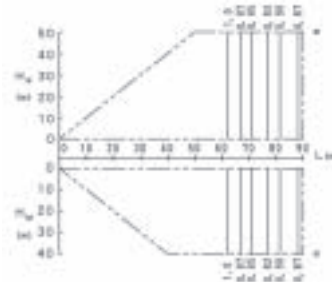
## 4 - 4 Capacity correction factor

### RWEYQ10,20P

• Correction ratio for cooling capacity



• Correction ratio for heating capacity



3D048283C

#### NOTES

1 These figures illustrate the rate of change in capacity for a standard indoor unit system at maximum load (with the thermostat set to maximum) under standard conditions. Moreover, under partial load conditions, there is only a minor deviation from the rate of change in capacity shown in the above figures.

2 With this outdoor unit, evaporating pressure constant control when cooling and condensing pressure constant control when heating is carried out.

3 Method of calculating A/C (cooling/heating) capacity:

The maximum A/C capacity of the system will be either the total A/C capacity of the indoor units obtained from capacity characteristic table or the maximum A/C capacity of the outside units as mentioned below, whichever smaller.

#### Calculating A/C capacity of outside units

• Condition: Indoor unit combination ratio does not exceed 100%

Maximum A/C capacity of outside units = A/C capacity of outside units obtained from capacity characteristic table at the 100% combination x capacity change rate due to piping length to the farthest indoor unit.

• Condition: Indoor unit combination ratio exceeds 100%

Maximum A/C capacity of outside units = A/C capacity of outside units obtained from capacity characteristic table at the combination x capacity change rate due to piping length to the farthest indoor unit.

4 When overall equivalent pipe length is 80m or more, the diameter of the main liquid pipes (outside unit-branch sections) must be increased.  
Diameter of above case

Model	liquid pipe
RWEYQ10PY1	ø12.7
RWEYQ20PY1	ø19.1

5 Read cooling/heating capacity rate of change in the above figures based on the following equivalent length.

Overall equivalent piping length = Equivalent length of main pipe x Correction factor + Equivalent length after branching

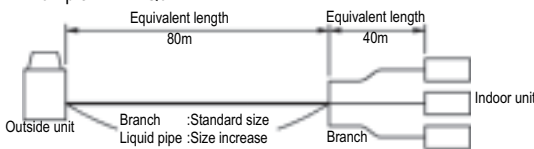
Choose a correction factor from the following table.

When cooling capacity is calculated: gas pipe size

When heating capacity is calculated: liquid pipe size.

Rate of change (object piping)	Correction factor	
	Standard size	Size increase
Cooling (gas pipe)	1.0	-
Heating (liquid pipe)	1.0	0.5

Example RWEYQ8PY1



In the above case

(Cooling) Overall equivalent length = 80m x 1.0 + 40m x 1.0 = 120m

(Heating) Overall equivalent length = 80m x 0.5 + 40m x 1.0 = 80m

The correction factor in:

cooling capacity when height difference = 0 is thus approximately 0.78

heating capacity when height difference = 0 is thus approximately 1.0

6 Explanation of symbols

H<sub>P</sub>: Level difference (m) between indoor and outside units where indoor unit in inferior position

H<sub>M</sub>: Level difference (m) between indoor and outside units where indoor unit in superior position

L: Equivalent pipe length (m)

α: Capacity correction factor

Diameter of pipe

Model	liquid
RWEYQ10PY1	ø9.5
RWEYQ20PY1	ø15.9

# 4 Capacity tables

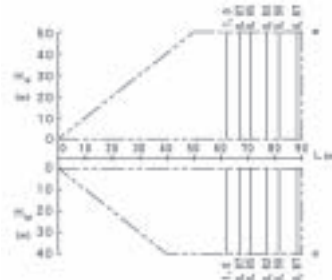
## 4 - 4 Capacity correction factor

### RWEYQ16,18,24,26,28,30P

• Correction ratio for cooling capacity



• Correction ratio for heating capacity



3D048284C

#### NOTES

1 These figures illustrate the rate of change in capacity for a standard indoor unit system at maximum load (with the thermostat set to maximum) under standard conditions. Moreover, under partial load conditions, there is only a minor deviation from the rate of change in capacity shown in the above figures.

2 With this outdoor unit, evaporating pressure constant control when cooling and condensing pressure constant control when heating is carried out.

3 Method of calculating A/C (cooling/heating) capacity:

The maximum A/C capacity of the system will be either the total A/C capacity of the indoor units obtained from capacity characteristic table or the maximum A/C capacity of the outside units as mentioned below, whichever smaller.

#### Calculating A/C capacity of outside units

• Condition: Indoor unit combination ratio does not exceed 100%

Maximum A/C capacity of outside units = A/C capacity of outside units obtained from capacity characteristic table at the 100% combination x capacity change rate due to piping length to the farthest indoor unit.

• Condition: Indoor unit combination ratio exceeds 100%

Maximum A/C capacity of outside units = A/C capacity of outside units obtained from capacity characteristic table at the combination x capacity change rate due to piping length to the farthest indoor unit.

4 When overall equivalent pipe length is 80m or more, the diameter of the main liquid pipes (outside unit-branch sections) must be increased.  
Diameter of above case

Model	liquid pipe
RWEYQ16PY1	ø15.9
RWEYQ18,24PY1	ø19.1
RWEYQ26,28,30PY1	ø22.2

5 Read cooling/heating capacity rate of change in the above figures based on the following equivalent length.

Overall equivalent piping length = Equivalent length of main pipe x Correction factor + Equivalent length after branching

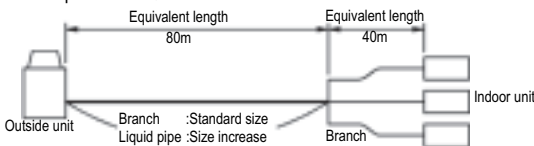
Choose a correction factor from the following table.

When cooling capacity is calculated: gas pipe size

When heating capacity is calculated: liquid pipe size.

Rate of change (object piping)	Correction factor	
	Standard size	Size increase
Cooling (gas pipe)	1.0	-
Heating (liquid pipe)	1.0	0.5

#### Example RWEYQ8PY1



In the above case

(Cooling) Overall equivalent length = 80m x 1.0 + 40m x 1.0 = 120m

(Heating) Overall equivalent length = 80m x 0.5 + 40m x 1.0 = 80m

The correction factor in:

cooling capacity when height difference = 0 is thus approximately 0.78

heating capacity when height difference = 0 is thus approximately 1.0

6 Explanation of symbols

$H_p$ : Level difference (m) between indoor and outside units where indoor unit in inferior position

$H_M$ : Level difference (m) between indoor and outside units where indoor unit in superior position

L: Equivalent pipe length (m)

$\alpha$ : Capacity correction factor

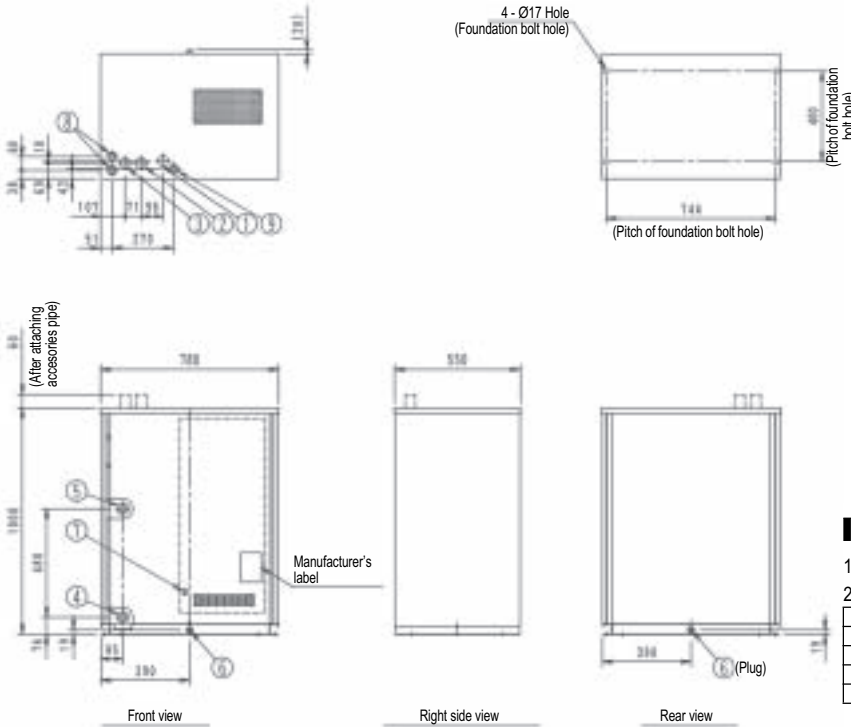
Diameter of pipe

Model	liquid
RWEYQ16PY1	ø12.7
RWEYQ18,24PY1	ø15.9
RWEYQ26,28,30PY1	ø19.1

## 5 Dimensional drawing & centre of gravity

### 5 - 1 Dimensional drawing

RWEYQ8-10P



Nr	Name	Description
1	Liquid pipe	see note 2
2	Suction gas pipe connection	see note 2
3	HP/LP gas pipe	see note 2
4	Water inlet	PT 1 <sup>1</sup> / <sub>4</sub> B internal thread
5	Water outlet	PT 1 <sup>1</sup> / <sub>4</sub> B internal thread
6	Drain outlet	PS 1 <sup>1</sup> / <sub>2</sub> B internal thread
7	Earth terminal	M5
8	Power cord through hole	Ø29
9	Wiring through hole	Ø29

#### NOTE

- 1 Earth terminal is in the switch box.
- 2 Piping size is as follows.

Model name	RWEYQ8PY1		RWEYQ10PY1	
Operation system	Heat pump	Heat recovery	Heat pump	Heat recovery
Liquid pipe	Ø9.5	Ø9.5	Ø9.5	Ø9.5
Suction gas pipe	Ø19.1		Ø22.2	
HP/LP gas pipe	Ø19.1	Ø15.9	Ø22.2	Ø19.1

\*connection method Liquid Pipe: flare connection

Suction gas pipe } : brazing connection  
HP/LP gas pipe }

\*In the case of heat pump system, suction gas pipe is not used

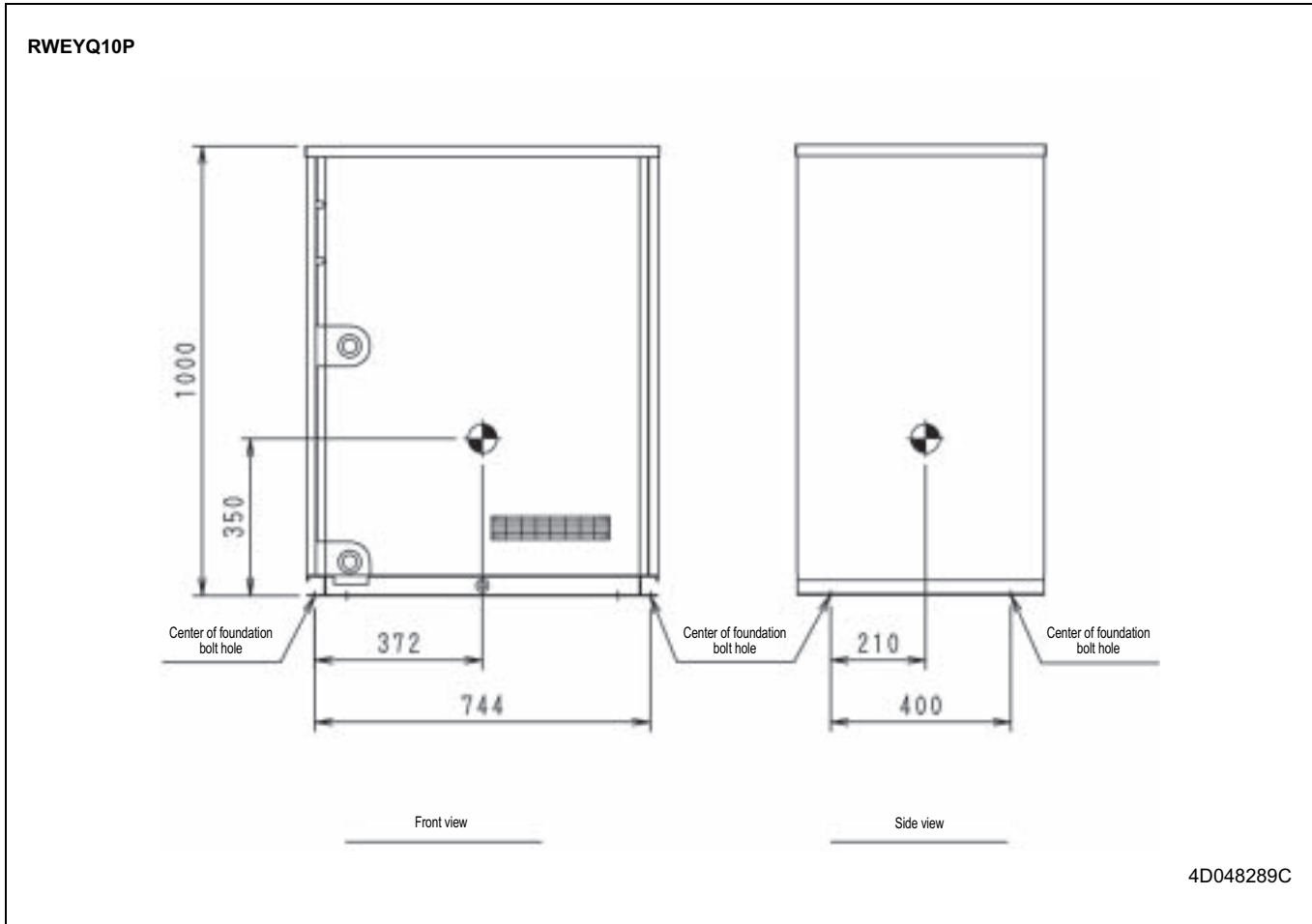
3D062150

1

5

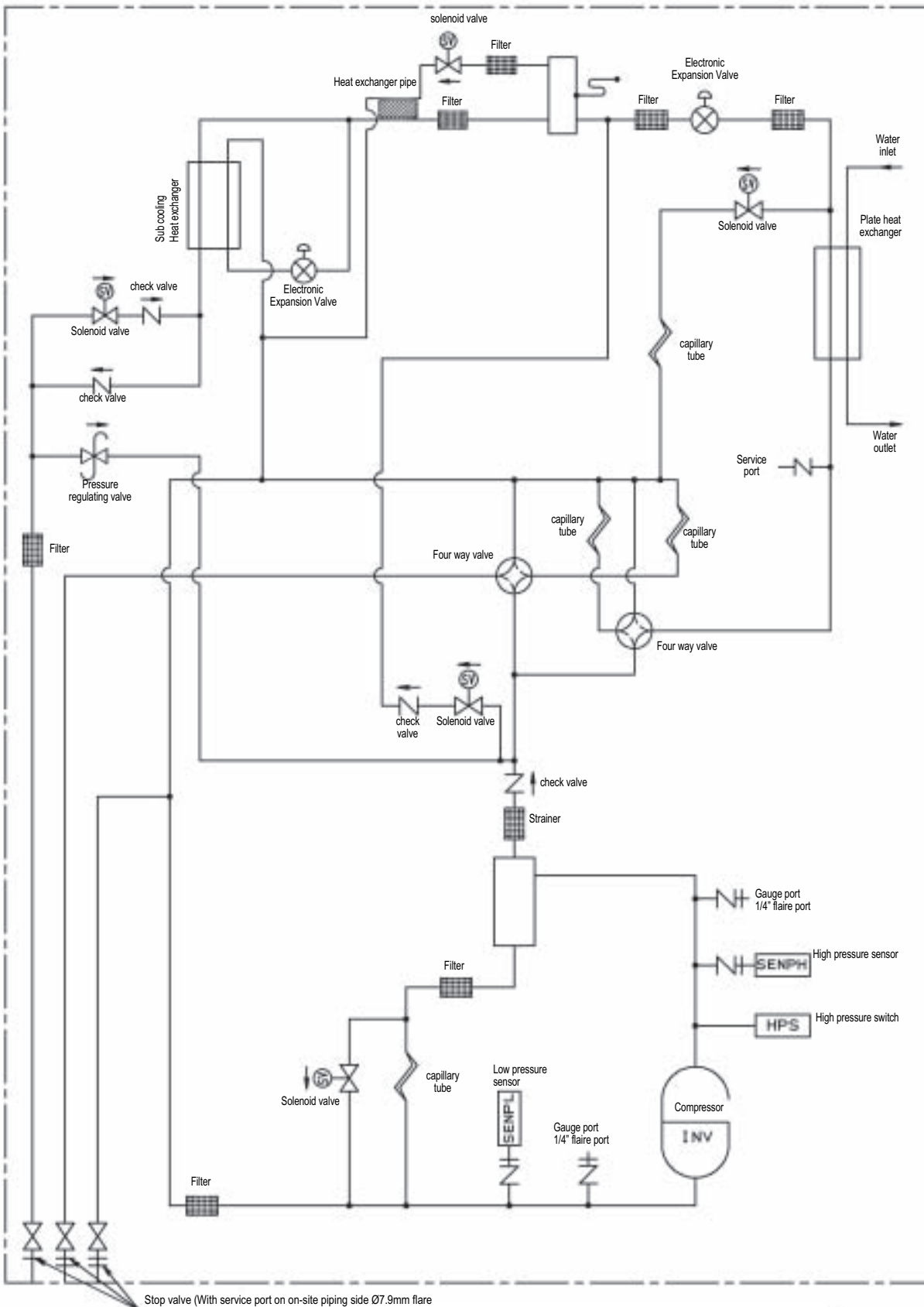
## 5 Dimensional drawing & centre of gravity

### 5 - 2 Centre of gravity



# 6 Piping diagram

RWEYQ8-10P



4D048290C



# 7 Wiring diagram

## 7 - 1 Wiring diagram

**RWEYQ8-10P**

power supply  
3N-380-415V 50Hz

note2

is connector color for printed circuit board  
is connector color for component  
is discrimination color for component lead wire

Colors  
BLK : Black  
RED : Red  
BLU : Blue  
WHT : White  
PNK : Pink  
GRY : Gray  
ORG : Orange

Detail of M1C

EL.COMPO.BOX

Field wiring : : Connector :   
Terminal strip : : Terminal :   
Protective earth (screw) :

notes

- 1 This wiring diagram is applied only to the outdoor unit.
- 2 When using the optional adapter, refer to the installation manual.
- 3 Refer to the installation manual, for connection wiring to indoor-outdoor transmission F1-F2, outdoor-outdoor transmission F1-F2, outdoor-multi transmission Q1-Q2
- 4 Refer to 'service precaution' label (on el.compo.box cover), how to use BS1-BS5 and DS1 switch.
- 5 When operating, don't shortcircuit the protection device (S1PH).
- 6 Be sure to connect an interlock circuit between the terminal (3)-(4) of terminal strip (X3M)
- 7 Install a heat source water pump operation circuit between the terminal (1)-(2) of terminal strip (X2M), when interlocking a heat source water pump and system operation.
- 8 Cool/heat selector cannot be connected when operating heat recovery system.

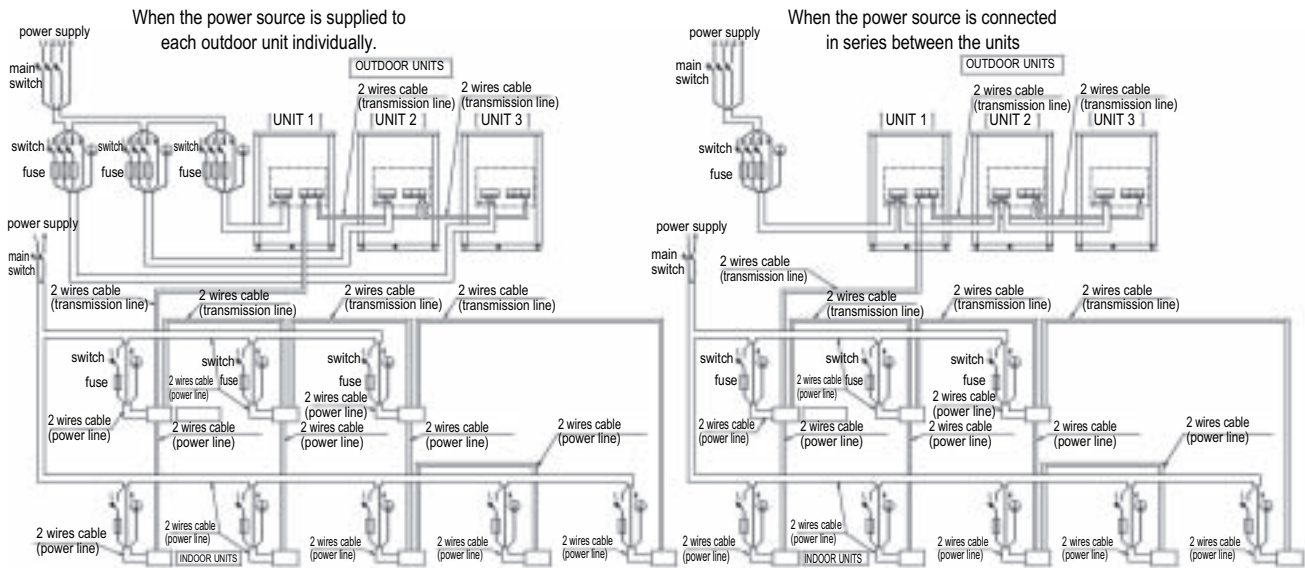
A1P	Printed circuit board (Main)	K5R	Magnetic relay (Y3S)(A1P)	R2T	Thermistor (Suction)	X4M	Terminal strip (M1C)
A2P	Printed circuit board (INV)	K6R	Magnetic relay (Y4S)(A1P)	R31T	Thermistor (M1C discharge)	Y1E	Electronic expansion valve (main)
A3P	Printed circuit board (Noise filter)	K7R	Magnetic relay (M1F,M2F)(A1P)	R4T	Thermistor (hex gas pipe)	Y3E	Electronic expansion valve (Sub cool)
BS1-5	Push button switch (Mode, set, return, test, reset)	K8R	Magnetic relay (Y6S)(A1P)	R5T	Thermistor (sub cooling hex)	Y1S	Solenoid valve (hot gas bypass)
C63,C66	Capacitor	K9R	Magnetic relay (Y2S)(A1P)	R6T	Thermistor (Receiver liq. pipe)	Y2S	Solenoid valve (oil recovery)
DS1	Dip switch	K10R	Magnetic relay (operation output) (A1P)	S1NPH	Pressure sensor (High)	Y3S	Solenoid valve (receiver pressurization)
E1HC	Crankcase heater	K11R	Magnetic relay (Y5S)(A1P)	S1NPL	Pressure sensor (Low)	Y4S	Solenoid valve (receiver gas purge)
F1U	Fuse (250V, 5A, B)(A3P)	K12R	Magnetic relay (Y27S)(A1P)	S1PH	Pressure switch (High)	Y6S	Solenoid valve (4 way valve) (main)
F1U, F2U	Fuse (250V, 10A, B)(A1P)	K13R	Magnetic relay (E1HC)(A1P)	T1R	Transformer (220-240V/20V)	Y6S	Solenoid valve (liquid pipe)
H1P-8P	Pilotlamp (service monitor-green) [H2P] prepare, test flickering malfunction detectionlight up	L1R	Reactor (A2P)	V1CP	Safety devices input	Y7S	Solenoid valve (4 way valve) (heat exchanger)
HAP	Pilotlamp (service monitor green) (A1P)	M1C	Motor (compressor)	V1R	Diode bridge (A2P)	Z1C	Noise filter (ferrite core)
K1M	Magnetic contactor (M1C)(A2P)	M1F,M2F	Motor (fan, inverter cooling)	V2R	Power module (A2P)	Z1F	Noise filter (with surge absorber)
K1R	Magnetic relay (A2P)	PS	Switching power supply	X1A,X2A	Connector (Y1E, Y3E)		
K3R	Magnetic relay (Y1S)(A1P)	Q1RP	Phase reversal detect circuit (A1P)	X1M	Terminal strip (power supply)		
		R50,R59	Resistor	X1M	Terminal strip (Control)(A1P)		COOL/HEAT SELECTOR
		R95	Resistor (current limiting)	X2M	Terminal strip (operation output)		S1S Selector switch (fan/cool - heat)
		R1T	Thermistor (Fin)(A2P)	X3M	Terminal strip (interlock)		S2S Selector switch (cool/heat)

3D061377B

# 7 Wiring diagram

## 7 - 2 External connection diagram

### RWEYQ-P-[HEAT RECOVERY]

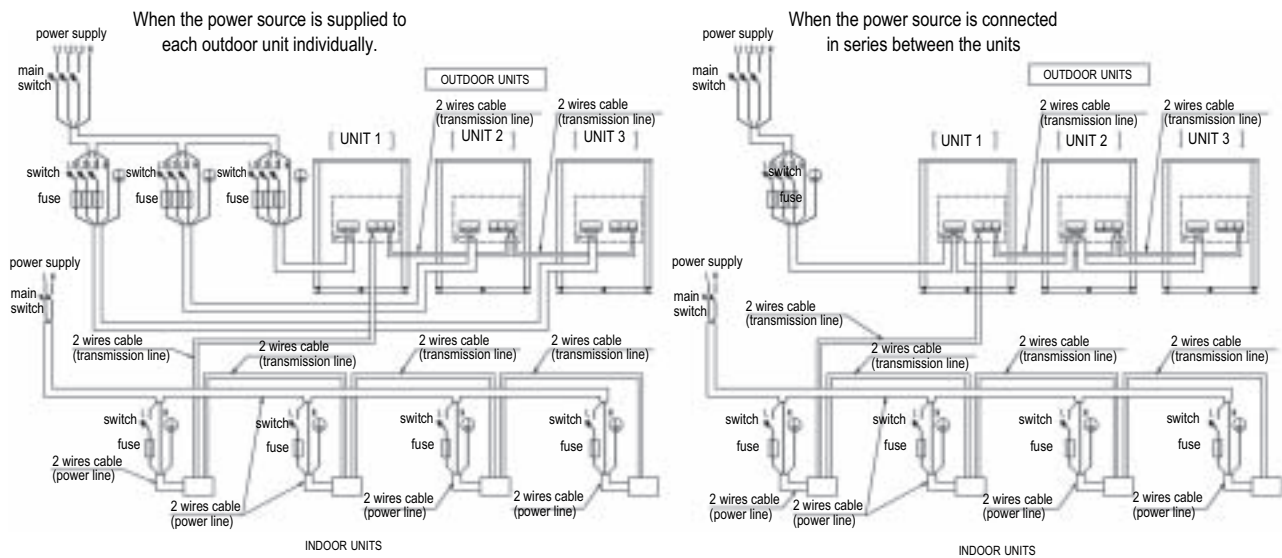


#### NOTES

- 1 All wiring, components and materials to be procured on the site must comply with the applicable local and national codes
- 2 Use copper conductors only.
- 3 As for details, see wiring diagram.
- 4 Install circuit breaker for safety.
- 5 All field wiring and components must be provided by licensed electrician.
- 6 Unit shall be grounded in compliance with the applicable local and national codes
- 7 Wiring shown are general points-of-connection guides only and are not intended for or to include all details for a specific installation.
- 8 Be sure to install the switch and the fuse to the power line of each equipment.
- 9 Install the main switch that can interrupt all the power sources in an integrated manner because this system consists of the equipment utilizing the multiple power sources.
- 10 If there exists the possibility of reversed phase, lose phase, momentary blackout or the power goes on and off while the product is operating, attach a reversed phase protection circuit locally. Running the product in reversed phase may break the compressor and other parts.

3D048823D

### RWEYQ-P-[HEAT PUMP]



#### NOTES

- 1 All wiring, components and materials to be procured on the site must comply with the applicable local and national codes
- 2 Use copper conductors only.
- 3 As for details, see wiring diagram.
- 4 Install circuit breaker for safety.
- 5 All field wiring and components must be provided by licensed electrician.
- 6 Unit shall be grounded in compliance with the applicable local and national codes
- 7 Wiring shown are general points-of-connection guides only and are not intended for or to include all details for a specific installation.
- 8 Be sure to install the switch and the fuse to the power line of each equipment.
- 9 Install the main switch that can interrupt all the power sources in an integrated manner because this system consists of the equipment utilizing the multiple power sources.
- 10 If there exists the possibility of reversed phase, lose phase, momentary blackout or the power goes on and off while the product is operating, attach a reversed phase protection circuit locally. Running the product in reversed phase may break the compressor and other parts.

3D048824D

# 8 Sound data

## 8 - 1 Sound pressure spectrum

**RWEYQ8P**

4D062222

**NOTE**

- Over All (dB):  
(B, G, N is already rectified)
- Operating conditons:
  - Power source: Y1: 380-415V 50Hz
- Measuring place: Anechoic chamber (conversion value)
- The operation sound is measured in anechoic chamber, if it is measured under the actual installation conditions, it is normally over the set value due to enviromental noise and reflection
- Location of microphone

Scale	50Hz
A	50
C	53

**RWEYQ10P**

4D048340C

**NOTE**

- Over All (dB):  
(B, G, N is already rectified)
- Operating conditons:
  - Power source: Y1: 380-415V 50Hz
- Measuring place: Anechoic chamber (conversion value)
- The operation sound is measured in anechoic chamber, if it is measured under the actual installation conditions, it is normally over the set value due to enviromental noise and reflection
- Location of microphone

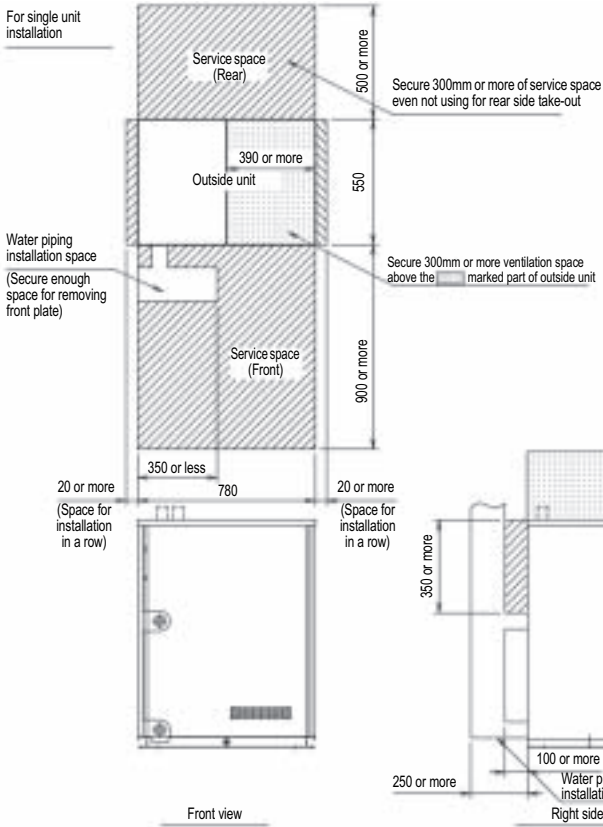
Scale	50Hz
A	51
C	53

# 9 Installation

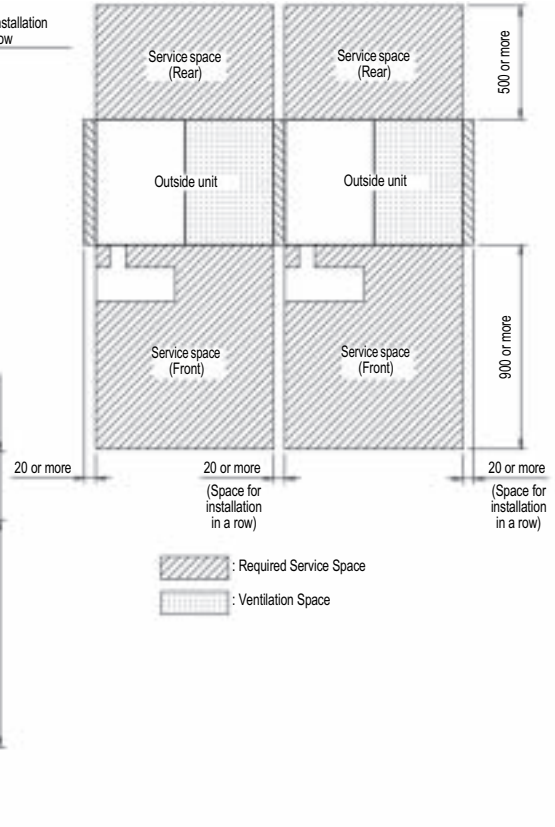
## 9 - 1 Service space

### RWEYQ8-10P

For single unit installation



For installation in a row



3D048341C





# 9 Installation

## 9 - 2 Refrigerant pipe selection

RWEYQ-P

System	Liquid pipe
RWEYQ8_10PY1	φ9.5 → φ12.7
RWEYQ16PY1	φ12.7 → φ15.9
RWEYQ18 ~ 24PY1	φ15.9 → φ19.1
RWEYQ26 ~ 30PY1	φ19.1 → φ22.2

Note 1. When the equivalent pipe length between outside and indoor units is 80m or more, the size of main pipes on the liquid side (refer to figure 21) must be increased according to the right table.  
(Never increase suction gas pipe and HP/LP gas pipe.)  
**(Refer to figure 21)**

1. Outside unit
2. Main pipes
3. Increase only liquid pipe size
4. First refrigerant branch kit
5. Indoor unit

Note 2. Allowable length after the first refrigerant branch kit to indoor units is 40m or less, however it can be extended up to 90m if all the following conditions are satisfied. (In case of "Branch with REFNET joint")

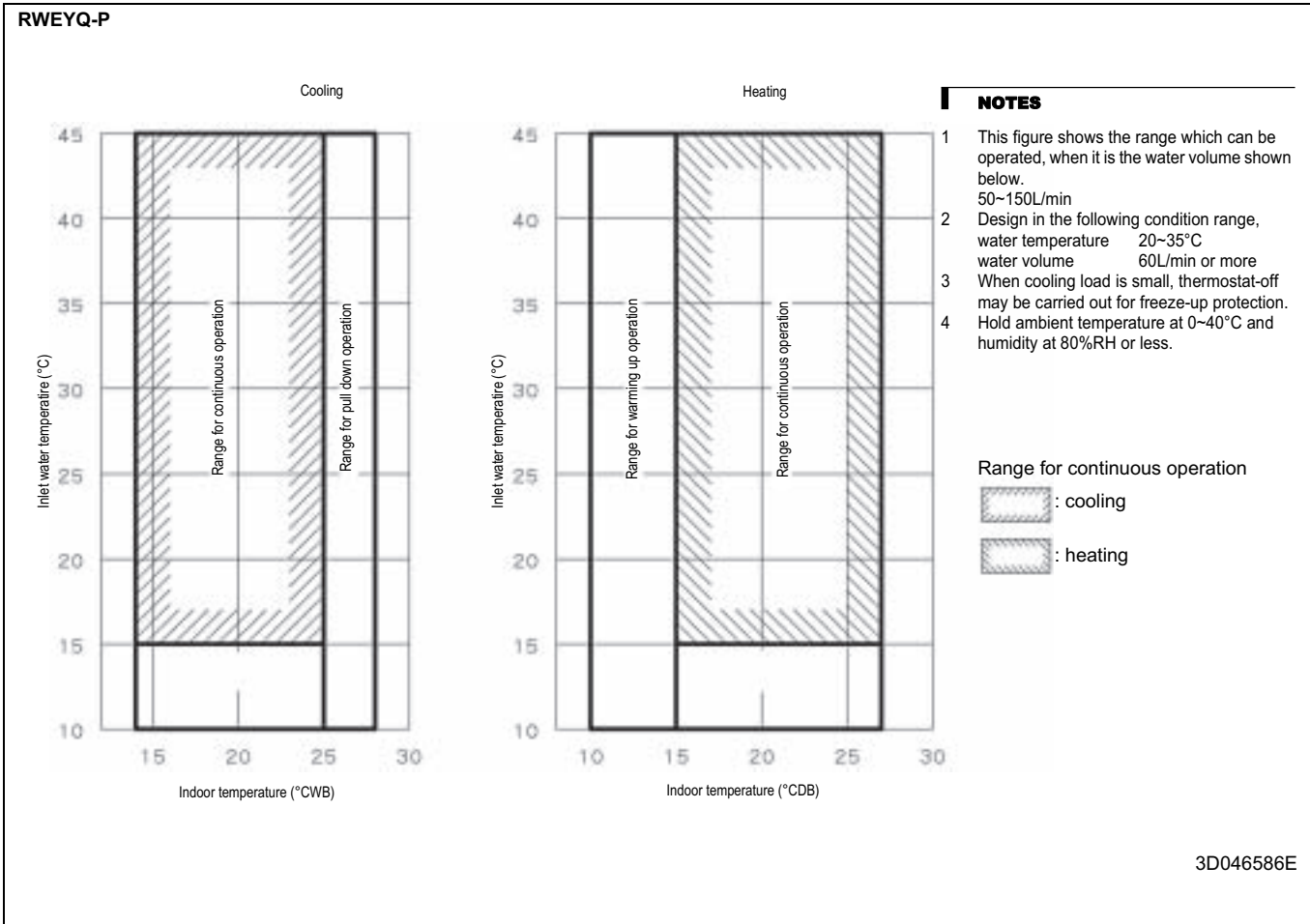
Required Conditions	Example Drawings
1. It is necessary to increase the liquid and suction gas pipe size between the first branch kit and the final branch kit. (Reducers must be procured on site) However, the pipes that are same pipe size with main pipe must not be increased.	Increase the liquid and suction gas pipe size as follows φ9.5 → φ12.7   φ15.9 → φ19.1   φ22.2 → φ25.4*   φ34.9 → φ38.1* φ12.7 → φ15.9   φ19.1 → φ22.2   φ28.6 → φ31.8*
2. For calculation of Total extension length, the actual length of above pipes must be doubled. (except main pipe and the pipes that are not increased)	
3. Indoor unit to the nearest branch kit ≤ 40 m 4. The difference between [Outside unit to the farthest indoor unit] and [Outside unit to the nearest indoor unit] ≤ 40 m	

\*If available on the site, use this size. Otherwise it can not be increased.

This table is about a heat recovery system (3-piping: suction gas, HP/LP gas and liquid pipes).  
 In a case of heat pump system (2-piping: gas and liquid pipes), select the pipe size from suction gas pipe for gas pipes and from liquid gas pipe for liquid pipes.  
 And BS unit is not required.

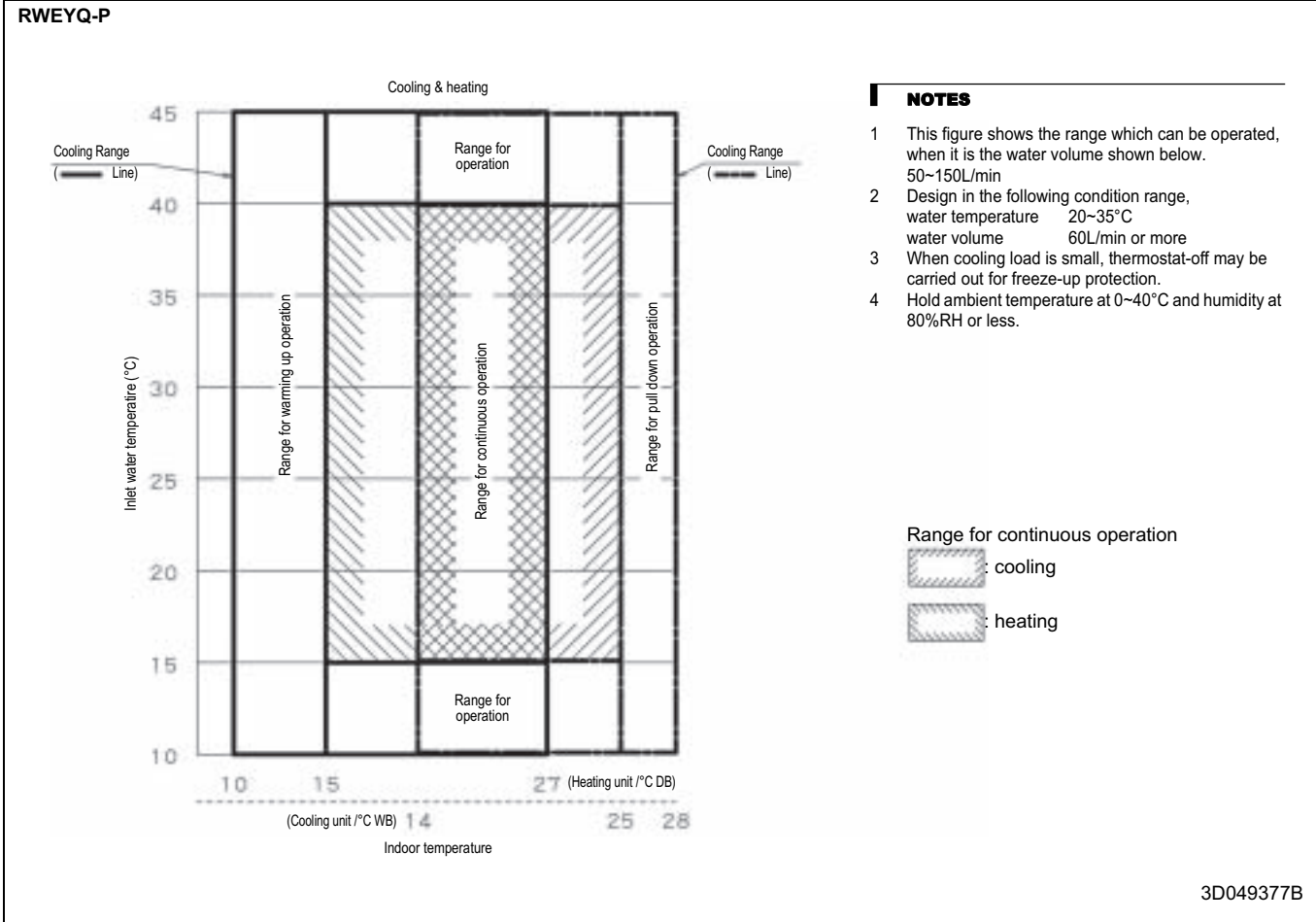
3P153897-8L

# 10 Operation range



1

10





Daikin's unique position as a manufacturer of air conditioning equipment, compressors and refrigerants has led to its close involvement in environmental issues. For several years Daikin has had the intension to become a leader in the provision of products that have limited impact on the environment. This challenge demands the eco design and development of a wide range of products and an energy management system, resulting in energy conservation and a reduction of waste.



Daikin Europe N.V. is approved by LRQA for its Quality Management System in accordance with the ISO9001 standard. ISO9001 pertains to quality assurance regarding design, development, manufacturing as well as to services related to the product.



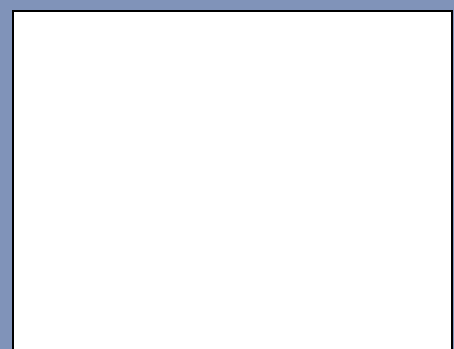
ISO14001 assures an effective environmental management system in order to help protect human health and the environment from the potential impact of our activities, products and services and to assist in maintaining and improving the quality of the environment.



Daikin units comply with the European regulations that guarantee the safety of the product.

VRV® products are not within the scope of the Eurovent certification programme.

The present publication is drawn up by way of information only and does not constitute an offer binding upon Daikin Europe N.V.. Daikin Europe N.V. has compiled the content of this publication to the best of its knowledge. No express or implied warranty is given for the completeness, accuracy, reliability or fitness for particular purpose of its content and the products and services presented therein. Specifications are subject to change without prior notice. Daikin Europe N.V. explicitly rejects any liability for any direct or indirect damage, in the broadest sense, arising from or related to the use and/or interpretation of this publication. All content is copyrighted by Daikin Europe N.V..



**DAIKIN EUROPE N.V.**

Naamloze Vennoetschap  
Zandvoordestraat 300  
B-8400 Oostende, Belgium  
www.daikin.eu  
BTW: BE 0412 120 336  
RPR Oostende