



technical data

Multi BS Box
BSV4Q100PV1

air conditioning systems

R-410A



technical data

Multi BS Box
BSV4Q100PV1

air conditioning systems

R-410A

TABLE OF CONTENTS

BSV4Q100PV1

1	Specifications	2
	Technical Specifications	2
	Electrical Specifications	2
2	Safety device settings	3
3	Dimensional drawing & centre of gravity	4
	Dimensional drawing	4
	Centre of gravity	5
4	Piping diagram.....	6
5	Wiring diagram.....	7
	Wiring diagram	7
6	Sound data.....	8
	Sound pressure spectrum	8

1 Specifications

1-1 TECHNICAL SPECIFICATIONS				BSV4Q100PV1
Maximum capacity index of connectable indoor units				400
Maximum capacity index of connectable indoor units per branch				100
Number of branches				4
Maximum number of connectable indoor units				20
Maximum number of connectable indoor units per branch				5
Power input (nominal)	Cooling	kW	0.020	
	Heating	kW	0.020	
Casing	Material			Galvanised steel
Dimensions	Unit	Height	mm	209
		Width	mm	1,053
		Depth	mm	635
Weight	Unit	kg	60	
Outdoor Unit	Liquid (OD)	Type	Brazing connection	
		Diameter	mm	12.7
	Gas	Type	Brazing connection	
		Diameter	mm	28.6
	Discharge Gas	Type	Brazing connection	
		Diameter	mm	19.1
Indoor Units	Liquid (OD)	Type	Brazing connection	
		Diameter	mm	9.5
	Gas	Type	Brazing connection	
		Diameter	mm	15.9
Sound absorbing thermal insulation material				Foamed polyurethane, Flame resisting needle felt
Standard Accessories	Item	Installation manual		
		Attached piping		
		Insulation pipe cover		
		Clamps		
Notes				In case of connection with a 20~50 type indoor unit, match to the size of the field pipe using the attached pipe. Connection between the attached pipe and the field pipe must be brazed.
				In case the joint diameter does not fit on the triple piping side, a reducer is needed (field supply)
				Insulators are necessary (field supply) for the triple piping side

1-2 ELECTRICAL SPECIFICATIONS				BSV4Q100PV1
Power Supply	Name	V1		
	Phase	1~		
	Frequency	Hz	50	
	Voltage	V	220-240	
Voltage range	Minimum	V	-10%	
	Maximum	V	+10%	
Total circuit	Minimum circuit amps (MCA)	A	0.5	
	Maximum Fuse Amps	A	15	
Notes				Voltage range : units are suitable for use on electrical systems where voltage supplied to unit terminal is not below or above listed range limits
				Maximum allowable voltage range variation between phases is 2%
				MCA / MFA : MCA = 1.25 x FLA
				MFA is smaller than or equal to 4 x FLA
				Next lower standard fuse rating minimum 15A
				Select wire size based on MCA
				Instead of a fuse, use a circuit breaker

2 Safety device settings

BSV4Q100PV
BSV6Q100PV

Model	Safety devices
	PC board fuse
BSV4Q100PV	250V 3.15A
BSV6Q100PV	250V 3.15A

4D064144

3 Dimensional drawing & centre of gravity

3 - 1 Dimensional drawing

BSV4Q100PV

(Suspension bolt pitch)

(Suspension bolt pitch)

(Servicing space)

Inspection door

(or more (Servicing space))

(or more (Servicing space))

(or more (Servicing space))

(Servicing space) (note 4)

(In case of use attached pipe (note 3))

Servicing space

(Servicing space) (note 4)

Location of unit's name plate . . . Right side of electric box)

Nr	Name	Description
1	Suction gas pipe connection port (note 5,6)	ø28.6mm brazing connection
2	HP/LP gas pipe connection port (note 5,6)	ø19.1mm brazing connection
3	Liquid pipe connection port (note 5,6)	ø12.7mm brazing connection
4	Gas pipe connection port	ø15.9mm brazing connection
5	Liquid pipe connection port	ø9.5mm brazing connection
6	Electric box (note 1.)	
7	Suspension brackets	M8 -M10
8	Grounding terminal	M4
9	Attached pipe (1) (Note. 3)	ø12.7mm brazing connection
10	Attached pipe (2) (Note. 3)	ø6.4mm brazing connection

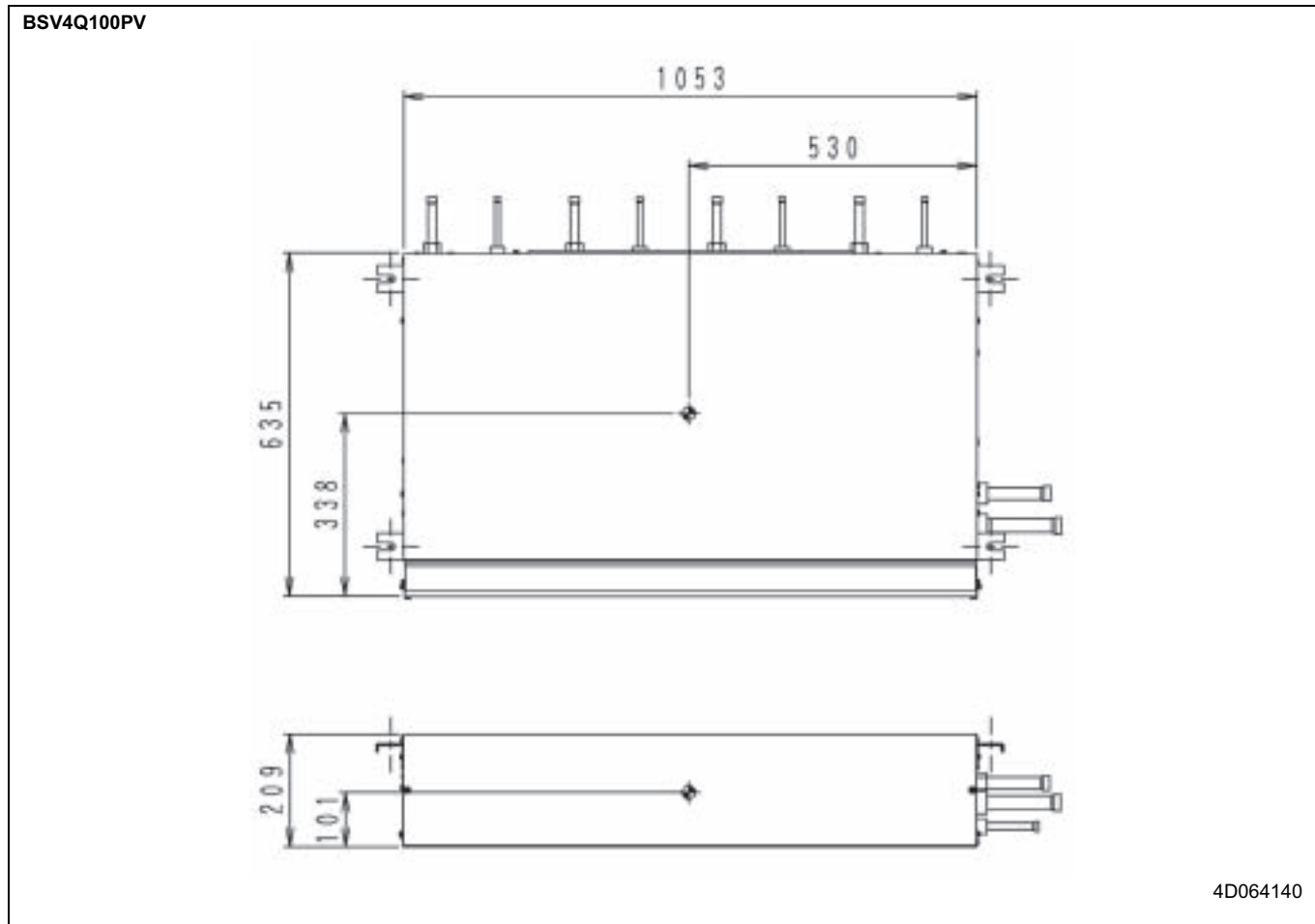
NOTES

- Be sure to install a inspection door at electric box side. Another door is necessary to unload the product.
- Install it at the place where small sound of refrigerant does not disturb. Must not install it at the space such as roof-space of room where persons exists.
- Attached pipe is only used in case of connecting with 20-50 class indoor unit.
- Occupy the space witch is possible to install field pipes.
- Reducer may be required (field supply) if joint diameter does not suit on the triple piping side.
- Insulators are necessary (field supply) for the triple piping side.
- This space is a space to keep a top panel when servicing.

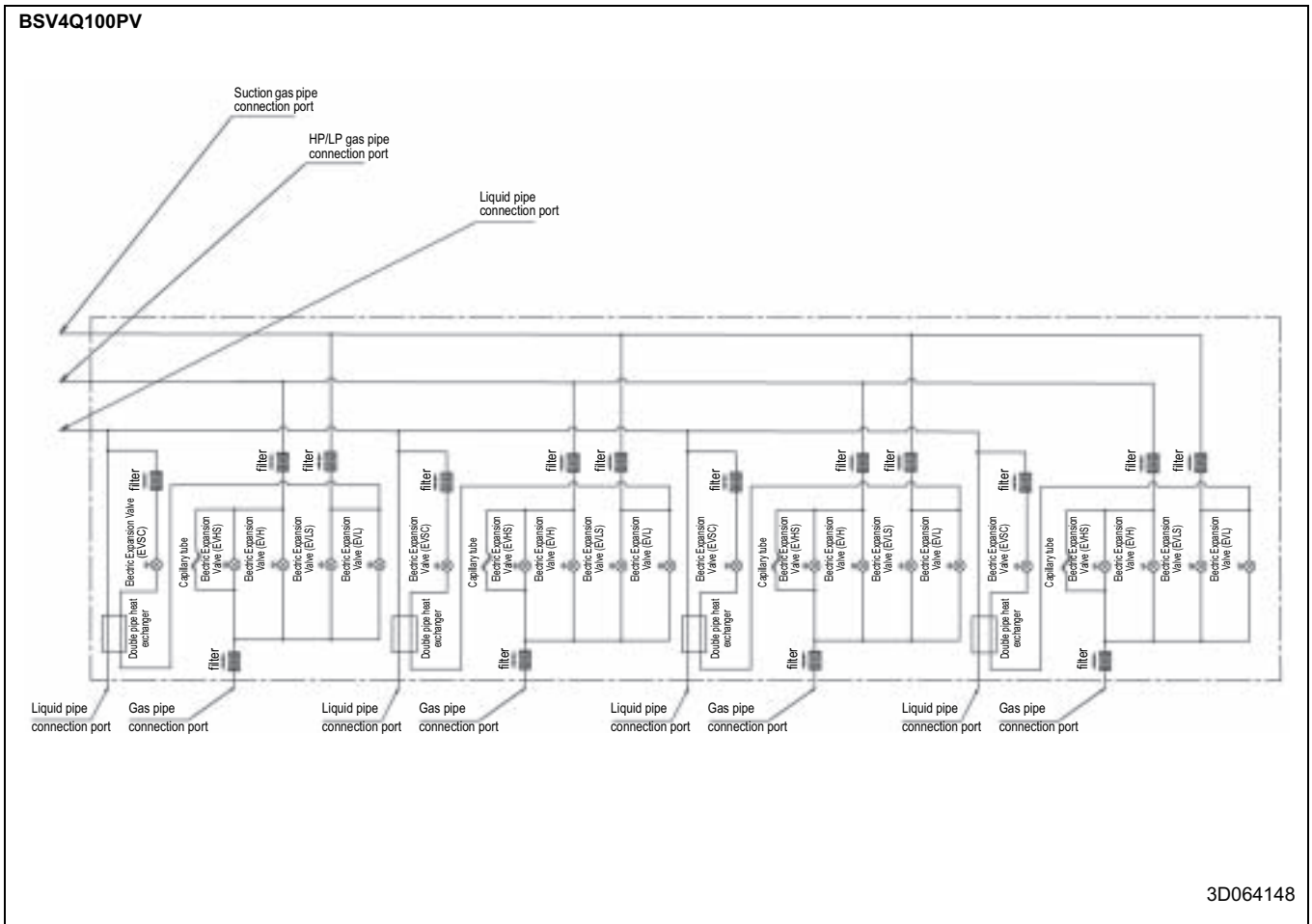
3D064060A

3 Dimensional drawing & centre of gravity

3 - 2 Centre of gravity

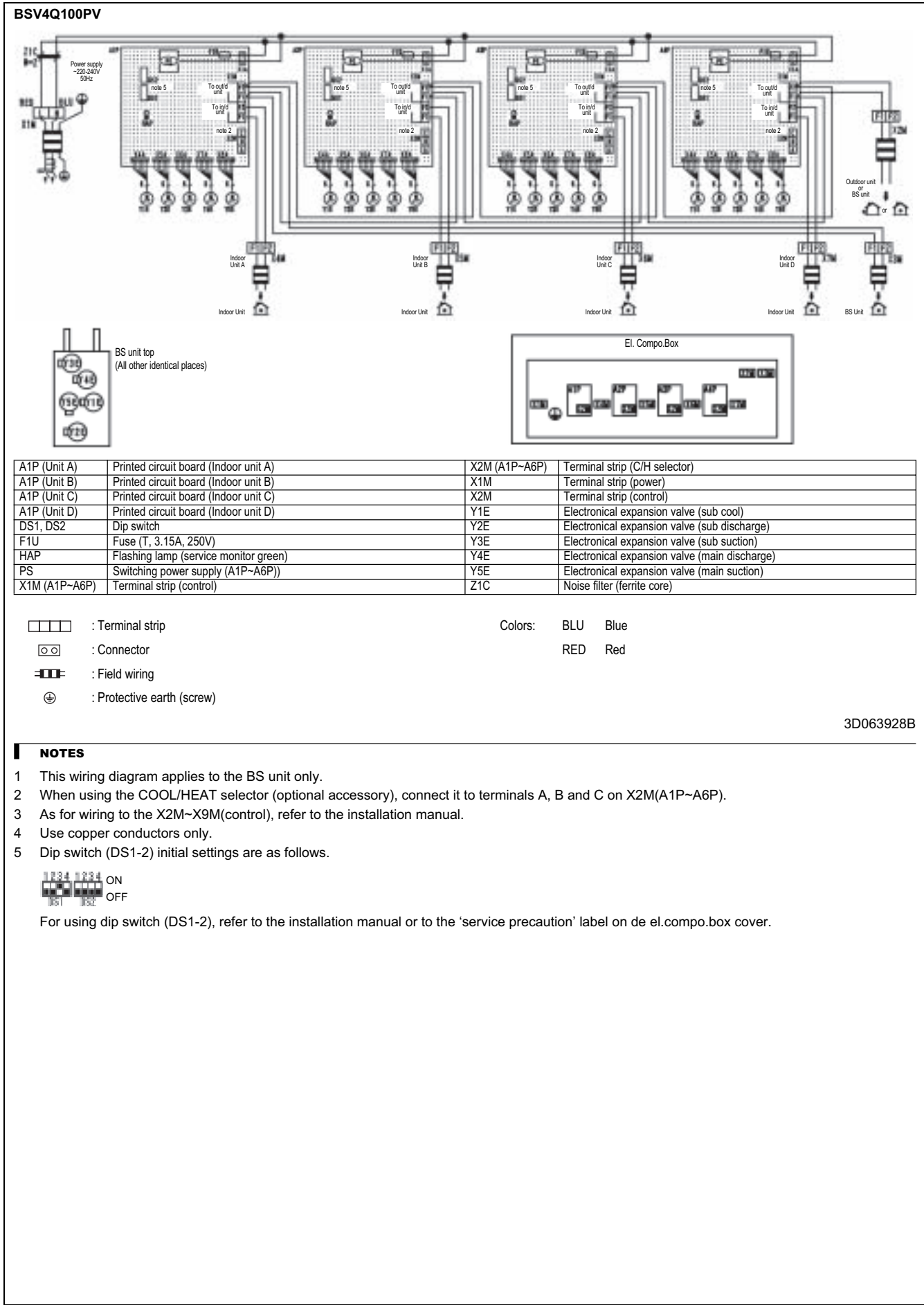


4 Piping diagram



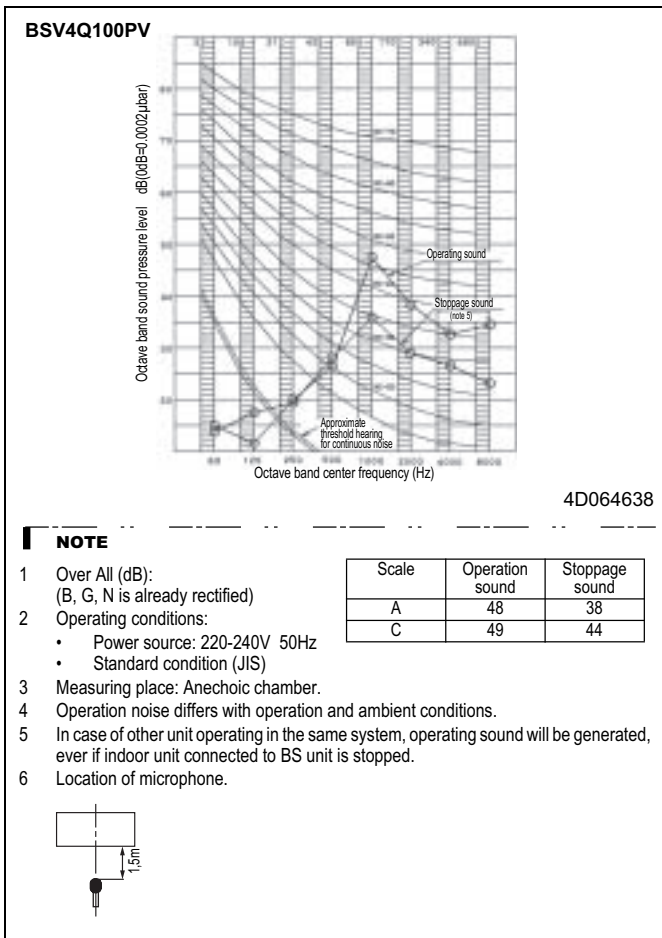
5 Wiring diagram

5 - 1 Wiring diagram



6 Sound data

6 - 1 Sound pressure spectrum





Daikin's unique position as a manufacturer of air conditioning equipment, compressors and refrigerants has led to its close involvement in environmental issues. For several years Daikin has had the intension to become a leader in the provision of products that have limited impact on the environment. This challenge demands the eco design and development of a wide range of products and an energy management system, resulting in energy conservation and a reduction of waste.



Daikin Europe N.V. is approved by LRQA for its Quality Management System in accordance with the ISO9001 standard. ISO9001 pertains to quality assurance regarding design, development, manufacturing as well as to services related to the product.



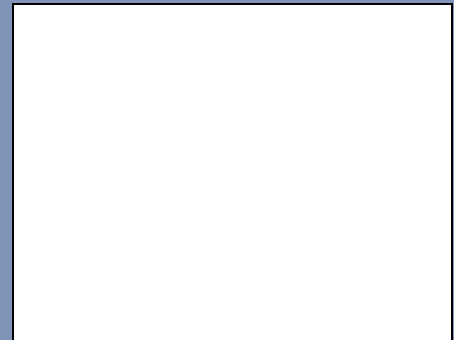
ISO14001 assures an effective environmental management system in order to help protect human health and the environment from the potential impact of our activities, products and services and to assist in maintaining and improving the quality of the environment.



Daikin units comply with the European regulations that guarantee the safety of the product.

VRV® products are not within the scope of the Eurovent certification programme.

The present publication is drawn up by way of information only and does not constitute an offer binding upon Daikin Europe N.V.. Daikin Europe N.V. has compiled the content of this publication to the best of its knowledge. No express or implied warranty is given for the completeness, accuracy, reliability or fitness for particular purpose of its content and the products and services presented therein. Specifications are subject to change without prior notice. Daikin Europe N.V. explicitly rejects any liability for any direct or indirect damage, in the broadest sense, arising from or related to the use and/or interpretation of this publication. All content is copyrighted by Daikin Europe N.V..



DAIKIN EUROPE N.V.

Naamloze Vennoetschap
Zandvoordestraat 300
B-8400 Oostende, Belgium
www.daikin.eu
BTW: BE 0412 120 336
RPR Oostende