

TABLE OF CONTENTS

FXFQ-P9VEB

1	Specifications	2
	Technical Specifications	2
2	Safety device settings	6
3	Options	7
4	Capacity tables	8
	Cooling capacity tables	8
	Heating capacity tables	10
5	Dimensional drawing & centre of gravity	12
	Dimensional drawing for standard panel	12
	Dimensional drawing for auto leaning panel	14
	Dimensional drawing with accessories	16
	Centre of gravity	18
6	Piping diagram.....	19
7	Wiring diagram.....	20
	Wiring diagram	20
8	Sound data.....	21
	Sound pressure spectrum	21
	Sound power spectrum	24
9	Air flow pattern.....	26

1 Specifications

1-1 Technical Specifications				FXFQ20P9VEB	FXFQ25P9VEB	FXFQ32P9VEB	FXFQ40P9VEB	FXFQ50P9VEB
Capacity	Cooling	Nominal	kW	2.2	2.8	3.6	4.5	5.6
	Heating	Nominal	kW	2.5	3.2	4.0	5.0	6.3
Power Input (50Hz)	Cooling	Nominal	kW	0.053	0.053	0.053	0.063	0.083
	Heating	Nominal	kW	0.045	0.045	0.045	0.055	0.067
Power Input (60Hz)	Cooling	Nominal	kW	0.052	0.052	0.052	0.062	0.082
	Heating	Nominal	kW	0.045	0.045	0.045	0.055	0.067
Dimensions	Unit	Height	mm	204				
		Width	mm	840				
		Depth	mm	840				
	Packed unit	Height	mm	220				
		Width	mm	882				
		Depth	mm	882				
Weight	Unit		kg	20				21
	Packed Unit		kg	24				26
Casing		Material		Galvanised steel plate				
Heat Exchanger	Type		Cross fin coil					
	Type	Nr of Rows		2				
		Inside length	mm	2,096				
		Outside length	mm	2,152				
		Fin Pitch	mm	1.2				
		Nr of Passes			2	3	7	
	Face Area	m ²	0.267				0.357	
	Nr of Stages		6					8
	Empty Tubeplate Hole				4	0		
Fan	Type		Turbo fan					
	Quantity		1					
Air Flow Rate (50Hz)	Cooling	High	m ³ /min	12.5			13.5	15.5
		Low	m ³ /min	9.0			10.0	
	Heating	High	m ³ /min	12.5			13.5	15.0
		Low	m ³ /min	9.0			9.5	
Air Flow Rate (60Hz)	Cooling	High	m ³ /min	12.5			13.5	15.5
		Low	m ³ /min	9.0			10.0	
	Heating	High	m ³ /min	12.5			13.5	15.0
		Low	m ³ /min	9.0			9.5	
Fan	Motor	Quantity		1				
		Model		QTS48D11M				
		Steps		2				
		Output (high)	W	56				
Refrigerant	Type		R-410A					
Sound power level	Cooling	Nominal	dBA	49			50	51
Sound pressure level	Cooling	High	dBA	31			32	33
		Low	dBA	28				
	Heating	High	dBA	31			32	33
		Low	dBA	28				
Piping connections	Liquid (OD)	Type		Flare connection				
		Diameter	mm	6.35				
	Gas	Type		Flare connection				
		Diameter	mm	12.7				
	Drain	Diameter		mm				
	Heat Insulation		Foamed polystyrene/polyethylene					
	Sound absorbing insulation		Foamed Polyurethane					
Decoration Panel	Model		BYCQ140CW1					
	Colour		White (RAL9010)					
	Dimensions	Height	mm	50				
		Width	mm	950				
		Depth	mm	950				
Weight		kg		5.5				

1 Specifications

1-1 Technical Specifications				FXFQ20P9VEB	FXFQ25P9VEB	FXFQ32P9VEB	FXFQ40P9VEB	FXFQ50P9VEB
Decoration Panel 2	Model			BYCQ140CW1W				
	Colour			White (RAL9010)				
	Dimensions	Height	mm	50				
		Width	mm	950				
		Depth	mm	950				
Weight			kg	5.5				
Decoration Panel 3	Model			BYCQ140CGW1				
	Colour			White (RAL9010)				
	Dimensions	Height	mm	130				
		Width	mm	950				
		Depth	mm	950				
Weight			kg	5.5				
Air Filter				Resin net with mold resistance				
Standard Accessories				Operation manual				
				Installation manual				
				Drain hose				
				Clamp for drain hose				
				Washer for hanger bracket				
				Screws				
				Installation guide				
				Insulation for fitting				
				Sealing pads				
				Drain sealing pad				
Notes				Cooling: indoor temp. 27°CDB, 19°CWB; outdoor temp. 35°CDB; equivalent piping length: 7.5m; level difference: 0m				
				Heating: indoor temp. 20°CDB; outdoor temp. 7°CDB, 6°CWB; equivalent refrigerant piping: 7.5m; level difference: 0m				
				The sound pressure values are mentioned for a unit installed with rear suction				
				The sound power level is an absolute value indicating the power which a sound source generates				
				Capacities are net, including a deduction for cooling (an addition for heating) for indoor fan motor heat				
				The BYCQ140CW1W has white insulations. Be informed that formation of dirt on white insulations is more visible and that it is consequently not advised to install the BYCQ140W1W decoration panel in environments exposed to concentrations of dirt				
				Voltage range: units are suitable for use on electrical systems where voltage supplied to unit terminal is not below or above listed range limits				
				Maximum allowable voltage range variation between phases is 2%				
				MCA/MFA: MCA = 1.25 x FLA				
				MFA ≤ 4 x FLA				
				Next lower standard fuse rating minimum 16A				
				Select wire size based on the value of MCA				
				Instead of a fuse, use a circuit breaker				
Power supply	Name			VE				
	Phase			1~				
	Frequency	Hz	50/60					
	Voltage	V	220-240/220					
Voltage range	Min.			-10				
	Max.			10				
Current - 50Hz	Minimum circuit amps (MCA)	A	0.4		0.5		0.6	
	Maximum fuse amps (MFA)	A	16					
	Full load amps (FLA)	A	0.3		0.4		0.5	
Current - 60Hz	Minimum circuit amps (MCA)	A	0.4		0.5		0.6	
	Maximum fuse amps (MFA)	A	16					
	Full load amps (FLA)	A	0.3		0.4		0.5	

1 Specifications

1-1 Technical Specifications				FXFQ63P9VEB	FXFQ80P9VEB	FXFQ100P9VEB	FXFQ125P9VEB	
Capacity	Cooling	Nominal	kW	7.1	9.0	11.2	14	
	Heating	Nominal	kW	8.0	10.0	12.5	16	
Power Input (50Hz)	Cooling	Nominal	kW	0.095	0.120	0.173	0.258	
	Heating	Nominal	kW	0.114	0.108	0.176	0.246	
Power Input (60Hz)	Cooling	Nominal	kW	0.094	0.119	0.172	0.257	
	Heating	Nominal	kW	0.114	0.108	0.176	0.246	
Dimensions	Unit	Height	mm	204		246		
		Width	mm	840				
		Depth	mm	840				
	Packed Unit	Height	mm	220	262		304	
		Width	mm	882				
		Depth	mm	882				
Weight	Unit		kg	21	24	26		
	Packed Unit		kg	26	28	31		
Casing		Material		Galvanised steel plate				
Heat Exchanger	Type		Cross fin coil					
	Type	Nr of Rows		2				
		Inside length	mm	2,096				
		Outside length	mm	2,152				
		Fin Pitch	mm	1.2				
		Nr of Passes		7	9		11	
		Face Area	m ²	0.357	0.446		0.535	
		Nr of Stages		8	10		12	
		Empty Tubeplate Hole		0				
Fan	Type		Turbo fan					
	Quantity		1					
Air Flow Rate (50Hz)	Cooling	High	m ³ /min	16.5	23.5	26.5	33.0	
		Low	m ³ /min	11.0	14.5	17.0	20.0	
	Heating	High	m ³ /min	17.5	23.5	28.0	33.0	
		Low	m ³ /min	12.0	14.5	17.5	20.0	
Air Flow Rate (60Hz)	Cooling	High	m ³ /min	16.5	23.5	26.5	33	
		Low	m ³ /min	11.0	14.5	17.0	20.0	
	Heating	High	m ³ /min	17.5	23.5	28.0	33.0	
		Low	m ³ /min	12.0	14.5	17.5	20.0	
Fan	Motor	Quantity		1				
		Model		QTS48D11M	QTS48C15M			
		Steps		2				
		Output (high)	W	56	120			
Refrigerant	Type		R-410A					
Sound power level	Cooling	Nominal	dBA	52	55	58	61	
Sound pressure level	Cooling	High	dBA	34	38	41	44	
		Low	dBA	29	32	33	34	
	Heating	High	dBA	36	38	42	44	
		Low	dBA	30	32	34		
Piping connections	Liquid (OD)	Type		Flare connection				
		Diameter	mm	9.52				
	Gas	Type		Flare connection				
		Diameter	mm	15.9				
	Drain	Diameter	mm	VP25 (O.D. 32 / I.D. 25)				
	Heat Insulation		Foamed polystyrene/polyethylene					
Sound absorbing insulation		Foamed Polyurethane						
Decoration Panel	Model		BYCQ140CW1					
	Colour		White (RAL9010)					
	Dimensions	Height	mm	50				
		Width	mm	950				
		Depth	mm	950				
	Weight		kg	5.5				

1 Specifications

1-1 Technical Specifications				FXFQ63P9VEB	FXFQ80P9VEB	FXFQ100P9VEB	FXFQ125P9VEB
Decoration Panel 2	Model			BYCQ140CW1W			
	Colour			White (RAL9010)			
	Dimensions	Height	mm	50			
		Width	mm	950			
		Depth	mm	950			
Weight			kg	5.5			
Decoration Panel 3	Model			BYCQ140CGW1			
	Colour			White (RAL9010)			
	Dimensions	Height	mm	130			
		Width	mm	950			
		Depth	mm	950			
Weight			kg	5.5			
Air Filter				Resin net with mold resistance			
Standard Accessories				Operation manual			
				Installation manual			
				Drain hose			
				Clamp for drain hose			
				Washer for hanger bracket			
				Screws			
				Installation guide			
				Insulation for fitting			
				Sealing pads			
				Drain sealing pad			
Notes				Cooling: indoor temp. 27°CDB, 19°CWB; outdoor temp. 35°CDB; equivalent piping length: 7.5m; level difference: 0m			
				Heating: indoor temp. 20°CDB; outdoor temp. 7°CDB, 6°CWB; equivalent refrigerant piping: 7.5m; level difference: 0m			
				The sound pressure values are mentioned for a unit installed with rear suction			
				The sound power level is an absolute value indicating the power which a sound source generates			
				Capacities are net, including a deduction for cooling (an addition for heating) for indoor fan motor heat			
				The BYCQ140CW1W has white insulations. Be informed that formation of dirt on white insulations is more visible and that it is consequently not advised to install the BYCQ140W1W decoration panel in environments exposed to concentrations of dirt			
				Voltage range: units are suitable for use on electrical systems where voltage supplied to unit terminal is not below or above listed range limits			
				Maximum allowable voltage range variation between phases is 2%			
				MCA/MFA: MCA = 1.25 x FLA			
				MFA ≤ 4 x FLA			
				Next lower standard fuse rating minimum 16A			
				Select wire size based on the value of MCA			
				Instead of a fuse, use a circuit breaker			
Power supply	Name			VE			
	Phase			1~			
	Frequency	Hz	50/60				
	Voltage	V	220-240/220				
Voltage range	Min.			-10			
	Max.			10			
Current - 50Hz	Minimum circuit amps (MCA)	A	0.9	1.4	1.9		
	Maximum fuse amps (MFA)	A	16				
	Full load amps (FLA)	A	0.7	1.1	1.5		
Current - 60Hz	Minimum circuit amps (MCA)	A	0.9	1.4	1.9		
	Maximum fuse amps (MFA)	A	16				
	Full load amps (FLA)	A	0.7	1.1	1.5		

2 Safety device settings

Safety devices		FXFQ20P9	FXFQ25P9	FXFQ32P9	FXFQ40P9	FXFQ50P9	FXFQ63P9	FXFQ80P9	FXFQ100P9	FXFQ125P9
PC board fuse		250V 5A	250V 5A	250V 5A	250V 5A	250V 5A	250V 5A	250V 5A	250V 5A	250V 5A
Fan motor thermal fuse	°C	---	---	---	---	---	---	---	---	---
Fan motor thermal protector	°C	OFF: 108 ^{±5} (ON: 96 ^{±15})	OFF: 108 ^{±5} (ON: 96 ^{±15})	OFF: 108 ^{±5} (ON: 96 ^{±15})	OFF: 108 ^{±5} (ON: 96 ^{±15})	OFF: 108 ^{±5} (ON: 96 ^{±15})	OFF: 108 ^{±5} (ON: 96 ^{±15})	OFF: 108 ^{±5} (ON: 96 ^{±15})	OFF: 108 ^{±5} (ON: 96 ^{±15})	OFF: 108 ^{±5} (ON: 96 ^{±15})
Drain pump fuse	°C	145	145	145	145	145	145	145	145	145

3TW28831-3

3 Options

FXFQ20-125P9VEB

OPTIONS

Item	Model	FXFQ20	FXFQ25	FXFQ32	FXFQ40	FXFQ50	FXFQ63	FXFQ80	FXFQ100	FXFQ125	
1	Decoration panel	BYCQ140CW1 / BYCQ140CW1W *3 / BYCQ140CGW1 *5,*6									
2	Long life replacement filter	Non-woven type		KAFP551K160							
3	Fresh air intake kit (20% fresh air)	Chamber type		KDDQ55C140 *9							
4	Sealing member of air discharge outlet	KDBHQ55C140									

CONTROL SYSTEMS

Item	Model	FXFQ20	FXFQ25	FXFQ32	FXFQ40	FXFQ50	FXFQ63	FXFQ80	FXFQ100	FXFQ125
1	Remote control	Wireless	H/P	BRC7F532F *9						
			C/O	BRC7F533F *9						
	Wired	BRC1D528								
		BRC1E51A7 *4								
2-1	Wiring adapter for electrical appendices (1)		KRP1BA57 *1 *9							
2-2	Wiring adapter for electrical appendices (2)		KRP4AA53 *1 *9							
2-3	Wiring adapter (hour meter)		EKRP1C11 *1 *8							
3	Remote sensor		KRCS01-4							
4	Installation box for adapter PCB		KHRP1H98/KRP1C12 *1 *8							
5	Central remote control		DCS302CA51							
6	Unified ON/OFF control		DCS301BA51							
7	Electrical box with earth terminal (2 blocks)		KJB212AA							
8	Schedule timer		DST301BA51							
9	PCB for multi tenant		DTA0114A61 *9							

3TW32469-1B

NOTES

- *1. Installation box is necessary for these adapters.
- *2. All options are supplied as kit.
- *3. The BYCQ140CW1W white insulations.
Be informed that formation of dirt on white insulations is visibly stronger and that it is consequently not advised to install the BYCQ140CW1W decoration panel in environments exposed to concentrations of dirt.
- *4. Included languages are: English, German, French, Dutch, Spanish, Italian, Greek, Portuguese, Russian and Turkish.
- *5. To be able to control the BYCQ140CGW1 the controller BRC1E* is needed.
- *6. The BYCQ140CGW1 is not compatible with Mini-VRV, Multi and Split Non-Inverter Outdoor units.
- *7. When using decoration panel BYCQ140CGW1, installation box for adapter PCB KRP1J98 must be used
- *8. When using decoration panel BYCQ140CGW1, wiring adaptor (hour meter) KRP1C12 must be used
- *9. Option not available in combination with BYCQ140CGW1

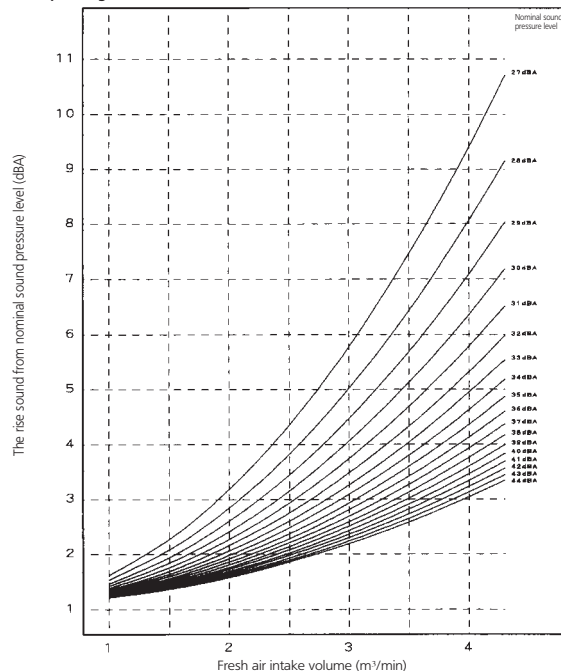
FXFQ-P9

Max fresh air intake volume table

The maximum intake air flow volume is following table.
If the intake air flow volume is too large, the operating sound may rise or detection of the indoor unit suction temperature may be affected.

FXFQ-P	20	25	32	40	50	63	80	100	125
Max fresh air intake volume (m ³ /min)	2.5	2.5	2.5	2.7	3.1	3.5	4.3	4.3	4.3

The rise of operating sound at with fresh air intake kit



4D057910

4 Capacity tables

4 - 1 Cooling capacity tables

FXFQ-P9		TC: Total capacity,kW – SHC: Sensible capacity,kW															
Unit size	Nominal capacity	Outdoor air temp. °CDB	Indoor air temperature														
			14.OWB		16.OWB		18.OWB		19.OWB		20.OWB		22.OWB		24.OWB		
			20.0DB		23.0DB		26.0DB		27.0DB		28.0DB		30.0DB		32.0DB		
		TC	SHC	TC	SHC	TC	SHC	TC	SHC	TC	SHC	TC	SHC	TC	SHC	TC	SHC
20	2.2	10.0	1.5	1.4	1.8	1.6	2.1	1.7	2.2	1.8	2.3	1.8	2.6	1.9	2.9	1.9	1.9
		12.0	1.5	1.4	1.8	1.6	2.1	1.7	2.2	1.8	2.3	1.8	2.6	1.9	2.9	1.9	1.9
		14.0	1.5	1.4	1.8	1.6	2.1	1.7	2.2	1.8	2.3	1.8	2.6	1.9	2.8	1.8	1.8
		16.0	1.5	1.4	1.8	1.6	2.1	1.7	2.2	1.8	2.3	1.8	2.6	1.9	2.8	1.8	1.8
		18.0	1.5	1.4	1.8	1.6	2.1	1.7	2.2	1.8	2.3	1.8	2.6	1.9	2.7	1.8	1.8
		20.0	1.5	1.4	1.8	1.6	2.1	1.7	2.2	1.8	2.3	1.8	2.6	1.9	2.7	1.8	1.8
		21.0	1.5	1.4	1.8	1.6	2.1	1.7	2.2	1.8	2.3	1.8	2.6	1.9	2.7	1.8	1.8
		23.0	1.5	1.4	1.8	1.6	2.1	1.7	2.2	1.8	2.3	1.8	2.6	1.9	2.6	1.7	1.7
		25.0	1.5	1.4	1.8	1.6	2.1	1.7	2.2	1.8	2.3	1.8	2.6	1.9	2.6	1.7	1.7
		27.0	1.5	1.4	1.8	1.6	2.1	1.7	2.2	1.8	2.3	1.8	2.5	1.8	2.6	1.7	1.7
		29.0	1.5	1.4	1.8	1.6	2.1	1.7	2.2	1.8	2.3	1.8	2.5	1.8	2.5	1.7	1.7
		31.0	1.5	1.4	1.8	1.6	2.1	1.7	2.2	1.8	2.3	1.8	2.4	1.8	2.5	1.7	1.7
		33.0	1.5	1.4	1.8	1.6	2.1	1.7	2.2	1.8	2.3	1.8	2.4	1.7	2.5	1.7	1.7
		35.0	1.5	1.4	1.8	1.6	2.1	1.7	2.2	1.8	2.3	1.8	2.4	1.7	2.4	1.7	1.7
37.0	1.5	1.4	1.8	1.6	2.1	1.7	2.2	1.7	2.3	1.8	2.3	1.8	2.4	1.7	1.7		
39.0	1.5	1.4	1.8	1.6	2.1	1.7	2.2	1.7	2.2	1.8	2.3	1.7	2.3	1.7	1.7		
25	2.8	10.0	1.9	1.7	2.3	1.9	2.6	2.0	2.8	2.1	3.0	2.2	3.4	2.2	3.7	2.3	2.3
		12.0	1.9	1.7	2.3	1.9	2.6	2.0	2.8	2.1	3.0	2.2	3.4	2.2	3.6	2.3	2.3
		14.0	1.9	1.7	2.3	1.9	2.6	2.0	2.8	2.1	3.0	2.2	3.4	2.2	3.6	2.2	2.2
		16.0	1.9	1.7	2.3	1.9	2.6	2.0	2.8	2.1	3.0	2.2	3.4	2.2	3.5	2.2	2.2
		18.0	1.9	1.7	2.3	1.9	2.6	2.0	2.8	2.1	3.0	2.2	3.4	2.2	3.5	2.2	2.2
		20.0	1.9	1.7	2.3	1.9	2.6	2.0	2.8	2.1	3.0	2.2	3.4	2.2	3.4	2.1	2.1
		21.0	1.9	1.7	2.3	1.9	2.6	2.0	2.8	2.1	3.0	2.2	3.4	2.2	3.4	2.1	2.1
		23.0	1.9	1.7	2.3	1.9	2.6	2.0	2.8	2.1	3.0	2.2	3.3	2.2	3.4	2.1	2.1
		25.0	1.9	1.7	2.3	1.9	2.6	2.0	2.8	2.1	3.0	2.2	3.3	2.2	3.3	2.1	2.1
		27.0	1.9	1.7	2.3	1.9	2.6	2.0	2.8	2.1	3.0	2.2	3.2	2.1	3.3	2.1	2.1
		29.0	1.9	1.7	2.3	1.9	2.6	2.0	2.8	2.1	3.0	2.2	3.2	2.1	3.2	2.0	2.0
		31.0	1.9	1.7	2.3	1.9	2.6	2.0	2.8	2.1	3.0	2.2	3.1	2.1	3.2	2.1	2.1
		33.0	1.9	1.7	2.3	1.9	2.6	2.0	2.8	2.1	3.0	2.2	3.1	2.1	3.1	2.0	2.0
		35.0	1.9	1.7	2.3	1.9	2.6	2.0	2.8	2.1	3.0	2.2	3.0	2.1	3.1	2.0	2.0
37.0	1.9	1.7	2.3	1.9	2.6	2.0	2.8	2.1	2.9	2.2	3.0	2.1	3.0	2.0	2.0		
39.0	1.9	1.7	2.3	1.9	2.6	2.0	2.8	2.1	2.9	2.2	2.9	2.0	3.0	2.0	2.0		
32	3.6	10.0	2.4	2.3	2.9	2.6	3.4	2.8	3.6	2.8	3.8	2.9	4.3	2.9	4.7	2.9	2.9
		12.0	2.4	2.3	2.9	2.6	3.4	2.8	3.6	2.8	3.8	2.9	4.3	2.9	4.7	2.9	2.9
		14.0	2.4	2.3	2.9	2.6	3.4	2.8	3.6	2.8	3.8	2.9	4.3	2.9	4.6	2.9	2.9
		16.0	2.4	2.3	2.9	2.6	3.4	2.8	3.6	2.8	3.8	2.9	4.3	2.9	4.6	2.8	2.8
		18.0	2.4	2.3	2.9	2.6	3.4	2.8	3.6	2.8	3.8	2.9	4.3	2.9	4.5	2.8	2.8
		20.0	2.4	2.3	2.9	2.6	3.4	2.8	3.6	2.8	3.8	2.9	4.3	2.9	4.4	2.7	2.7
		21.0	2.4	2.3	2.9	2.6	3.4	2.8	3.6	2.8	3.8	2.9	4.3	2.9	4.4	2.7	2.7
		23.0	2.4	2.3	2.9	2.6	3.4	2.8	3.6	2.8	3.8	2.9	4.2	2.8	4.3	2.7	2.7
		25.0	2.4	2.3	2.9	2.6	3.4	2.8	3.6	2.8	3.8	2.9	4.2	2.8	4.3	2.7	2.7
		27.0	2.4	2.3	2.9	2.6	3.4	2.8	3.6	2.8	3.8	2.9	4.1	2.8	4.2	2.6	2.6
		29.0	2.4	2.3	2.9	2.6	3.4	2.8	3.6	2.8	3.8	2.9	4.1	2.8	4.2	2.6	2.6
		31.0	2.4	2.3	2.9	2.6	3.4	2.8	3.6	2.8	3.8	2.9	4.0	2.7	4.1	2.6	2.6
		33.0	2.4	2.3	2.9	2.6	3.4	2.8	3.6	2.8	3.8	2.9	3.9	2.7	4.0	2.6	2.6
		35.0	2.4	2.3	2.9	2.6	3.4	2.8	3.6	2.8	3.8	2.8	3.9	2.7	4.0	2.6	2.6
37.0	2.4	2.3	2.9	2.6	3.4	2.8	3.6	2.8	3.7	2.8	3.8	2.7	3.9	2.6	2.6		
39.0	2.4	2.3	2.9	2.6	3.4	2.8	3.6	2.9	3.7	2.8	3.8	2.6	3.8	2.6	2.6		
40	4.5	10.0	3.0	2.8	3.6	3.0	4.2	3.3	4.5	3.4	4.8	3.5	5.4	3.2	5.9	3.5	3.5
		12.0	3.0	2.8	3.6	3.0	4.2	3.3	4.5	3.4	4.8	3.5	5.4	3.2	5.8	3.5	3.5
		14.0	3.0	2.8	3.6	3.0	4.2	3.3	4.5	3.4	4.8	3.5	5.4	3.2	5.8	3.5	3.5
		16.0	3.0	2.8	3.6	3.0	4.2	3.3	4.5	3.4	4.8	3.5	5.4	3.2	5.7	3.4	3.4
		18.0	3.0	2.8	3.6	3.0	4.2	3.3	4.5	3.4	4.8	3.5	5.4	3.2	5.6	3.4	3.4
		20.0	3.0	2.8	3.6	3.0	4.2	3.3	4.5	3.4	4.8	3.5	5.4	3.2	5.5	3.4	3.4
		21.0	3.0	2.8	3.6	3.0	4.2	3.3	4.5	3.4	4.8	3.5	5.4	3.2	5.5	3.3	3.3
		23.0	3.0	2.8	3.6	3.0	4.2	3.3	4.5	3.4	4.8	3.5	5.3	3.2	5.4	3.3	3.3
		25.0	3.0	2.8	3.6	3.0	4.2	3.3	4.5	3.4	4.8	3.5	5.2	3.2	5.3	3.3	3.3
		27.0	3.0	2.8	3.6	3.0	4.2	3.3	4.5	3.4	4.8	3.5	5.2	3.1	5.3	3.3	3.3
		29.0	3.0	2.8	3.6	3.0	4.2	3.3	4.5	3.4	4.8	3.5	5.1	3.1	5.2	3.2	3.2
		31.0	3.0	2.8	3.6	3.0	4.2	3.3	4.5	3.4	4.8	3.5	5.0	3.1	5.1	3.2	3.2
		33.0	3.0	2.8	3.6	3.0	4.2	3.3	4.5	3.4	4.8	3.5	4.9	3.0	5.0	3.2	3.2
		35.0	3.0	2.8	3.6	3.0	4.2	3.3	4.5	3.4	4.7	3.5	4.9	3.0	5.0	3.1	3.1
37.0	3.0	2.8	3.6	3.0	4.2	3.3	4.5	3.4	4.7	3.5	4.8	3.0	4.9	3.1	3.1		
39.0	3.0	2.8	3.6	3.0	4.2	3.3	4.5	3.4	4.6	3.4	4.7	3.0	4.8	3.1	3.1		

3TW25592-1

4 Capacity tables

4 - 2 Heating capacity tables

FXFQ-P9				Indoor air temp.: °CDB					
Unit size	Nominal Capacity	Outdoor air temp		16.0	18.0	20.0	21.0	22.0	24.0
		°CDB	°CWB	KW	KW	KW	KW	KW	KW
20	2.5	-19.8	-20.0	1.5	1.5	1.5	1.5	1.5	1.5
		-18.8	-19.0	1.5	1.5	1.5	1.5	1.5	1.5
		-16.7	-17.0	1.6	1.6	1.6	1.6	1.6	1.6
		-14.7	-15.0	1.7	1.7	1.7	1.7	1.7	1.7
		-12.6	-13.0	1.8	1.8	1.8	1.8	1.8	1.8
		-10.5	-11.0	1.9	1.9	1.9	1.9	1.9	1.9
		-9.5	-10.0	1.9	1.9	1.9	1.9	1.9	1.9
		-8.5	-9.1	2.0	2.0	1.9	1.9	1.9	1.9
		-7.0	-7.6	2.0	2.0	2.0	2.0	2.0	2.0
		-5.0	-5.6	2.1	2.1	2.1	2.1	2.1	2.1
		-3.0	-3.7	2.2	2.2	2.2	2.2	2.2	2.2
		0.0	-0.7	2.3	2.3	2.3	2.3	2.3	2.2
		3.0	2.2	2.5	2.5	2.4	2.4	2.3	2.2
		5.0	4.1	2.5	2.5	2.5	2.4	2.3	2.2
		7.0	6.0	2.6	2.6	2.5	2.4	2.3	2.2
		9.0	7.9	2.7	2.7	2.5	2.4	2.3	2.2
		11.0	9.8	2.8	2.7	2.5	2.4	2.3	2.2
13.0	11.8	2.8	2.7	2.5	2.4	2.3	2.2		
15.0	13.7	2.8	2.7	2.5	2.4	2.3	2.2		
25	3.2	-19.8	-20.0	1.9	1.9	1.9	1.9	1.9	1.9
		-18.8	-19.0	1.9	1.9	1.9	1.9	1.9	1.9
		-16.7	-17.0	2.1	2.1	2.0	2.0	2.0	2.0
		-14.7	-15.0	2.2	2.2	2.2	2.2	2.2	2.1
		-12.6	-13.0	2.3	2.3	2.3	2.3	2.3	2.3
		-10.5	-11.0	2.4	2.4	2.4	2.4	2.4	2.4
		-9.5	-10.0	2.5	2.4	2.4	2.4	2.4	2.4
		-8.5	-9.1	2.5	2.5	2.5	2.5	2.5	2.5
		-7.0	-7.6	2.6	2.6	2.6	2.6	2.6	2.6
		-5.0	-5.6	2.7	2.7	2.7	2.7	2.7	2.7
		-3.0	-3.7	2.8	2.8	2.8	2.8	2.8	2.8
		0.0	-0.7	3.0	3.0	3.0	3.0	3.0	2.8
		3.0	2.2	3.1	3.1	3.1	3.1	3.0	2.8
		5.0	4.1	3.3	3.2	3.2	3.1	3.0	2.8
		7.0	6.0	3.4	3.4	3.2	3.1	3.0	2.8
		9.0	7.9	3.5	3.4	3.2	3.1	3.0	2.8
		11.0	9.8	3.6	3.4	3.2	3.1	3.0	2.8
13.0	11.8	3.6	3.4	3.2	3.1	3.0	2.6		
15.0	13.7	3.6	3.4	3.2	3.1	3.0	2.8		
32	4.0	-19.8	-20.0	2.4	2.4	2.3	2.3	2.3	2.3
		-18.8	-19.0	2.4	2.4	2.4	2.4	2.4	2.4
		-16.7	-17.0	2.6	2.6	2.6	2.6	2.6	2.5
		-14.7	-15.0	2.7	2.7	2.7	2.7	2.7	2.7
		-12.6	-13.0	2.9	2.8	2.8	2.8	2.8	2.8
		-10.5	-11.0	3.0	3.0	3.0	3.0	3.0	3.0
		-9.5	-10.0	3.1	3.1	3.1	3.1	3.0	3.0
		-8.5	-9.1	3.1	3.1	3.1	3.1	3.1	3.1
		-7.0	-7.6	3.2	3.2	3.2	3.2	3.2	3.2
		-5.0	-5.6	3.4	3.4	3.4	3.4	3.4	3.4
		-3.0	-3.7	3.5	3.5	3.5	3.5	3.5	3.5
		0.0	-0.7	3.7	3.7	3.7	3.7	3.7	3.5
		3.0	2.2	3.9	3.9	3.9	3.9	3.7	3.5
		5.0	4.1	4.1	4.1	4.0	3.9	3.7	3.5
		7.0	6.0	4.2	4.2	4.0	3.9	3.7	3.5
		9.0	7.9	4.3	4.3	4.0	3.9	3.7	3.5
		11.0	9.8	4.5	4.3	4.0	3.9	3.7	3.5
13.0	11.8	4.5	4.3	4.0	3.9	3.7	3.5		
15.0	13.7	4.5	4.3	4.0	3.9	3.7	3.5		
40	5.0	-19.8	-20.0	3.0	2.9	2.9	2.9	2.9	2.9
		-18.8	-19.0	3.0	3.0	3.0	3.0	3.0	3.0
		-16.7	-17.5	3.2	3.2	3.2	3.2	3.2	3.2
		-14.7	-15.0	3.4	3.4	3.4	3.4	3.4	3.4
		-12.6	-13.0	3.6	3.6	3.6	3.5	3.5	3.5
		-10.5	-11.0	3.7	3.7	3.7	3.7	3.7	3.7
		-9.5	-10.0	3.8	3.8	3.8	3.8	3.8	3.8
		-8.5	-9.1	3.9	3.9	3.9	3.9	3.9	3.9
		-7.0	-7.6	4.0	4.0	4.0	4.0	4.0	4.0
		-5.0	-5.6	4.2	4.2	4.2	4.2	4.2	4.2
		-3.0	-3.7	4.4	4.4	4.4	4.4	4.4	4.4
		0.0	-0.7	4.7	4.6	4.6	4.6	4.6	4.4
		3.0	2.2	4.9	4.9	4.9	4.8	4.7	4.4
		5.0	4.1	5.1	5.1	5.0	4.8	4.7	4.4
		7.0	6.0	5.2	5.2	5.0	4.8	4.7	4.4
		9.0	7.9	5.4	5.3	5.0	4.8	4.7	4.4
		11.0	9.8	5.6	5.3	5.0	4.8	4.7	4.4
13.0	11.8	5.6	5.3	5.0	4.8	4.7	4.4		
15.0	13.7	5.6	5.3	5.0	4.8	4.7	4.4		

3TW25512-2A

4 Capacity tables

4 - 2 Heating capacity tables

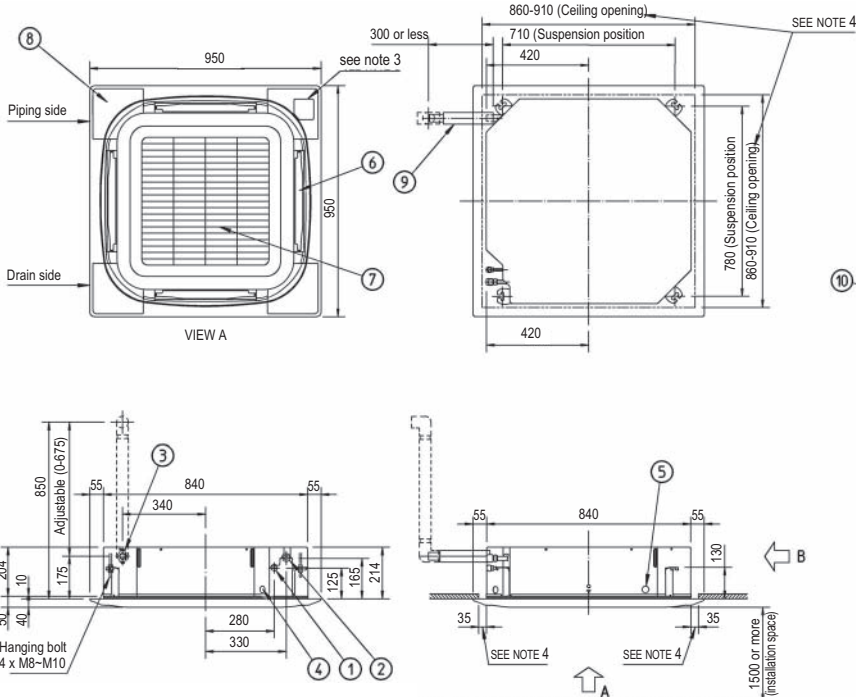
FXFQ-P9									
Unit size	Nominal Capacity	Outdoor air temp		Indoor air temp.: °CDB					
				16.0	18.0	20.0	21.0	22.0	24.0
		(°CDB)	(°CWB)	KW	KW	KW	KW	KW	KW
50	6.3	-19.8	-20.0	3.7	3.7	3.7	3.7	3.7	3.7
		-18.8	-19.0	3.8	3.8	3.8	3.8	3.8	3.8
		-16.7	-17.0	4.1	4.0	4.0	4.0	4.0	4.0
		-14.7	-15.0	4.3	4.3	4.3	4.2	4.2	4.2
		-12.6	-13.0	4.5	4.5	4.5	4.5	4.5	4.5
		-10.5	-11.0	4.7	4.7	4.7	4.7	4.7	4.7
		-9.5	-10.0	4.8	4.8	4.8	4.8	4.8	4.8
		-8.5	-9.1	4.9	4.9	4.9	4.9	4.9	4.9
		-7.0	-7.6	5.1	5.1	5.1	5.1	5.1	5.1
		-5.0	-5.6	5.3	5.3	5.3	5.3	5.3	5.3
		-3.0	-3.7	5.5	5.5	5.5	5.5	5.5	5.5
		0.0	-0.7	5.9	5.9	5.8	5.8	5.8	5.5
		3.0	2.2	6.2	6.2	6.2	6.1	5.9	5.5
		5.0	4.1	6.4	6.4	6.3	6.1	5.9	5.5
		7.0	6.0	6.6	6.6	6.3	6.1	5.9	5.5
		9.0	7.9	6.8	6.7	6.3	6.1	5.9	5.5
		11.0	9.8	7.0	6.7	6.3	6.1	5.9	5.5
13.0	11.8	7.1	6.7	6.3	6.1	5.9	5.5		
15.0	13.7	7.1	6.7	6.3	6.1	5.9	5.5		
63	8.0	-19.8	-20.0	4.7	4.7	4.7	4.7	4.7	4.7
		-18.8	-19.0	4.9	4.9	4.8	4.8	4.8	4.8
		-16.7	-17.0	5.1	5.1	5.1	5.1	5.1	5.1
		-14.7	-15.0	5.4	5.4	5.4	5.4	5.4	5.4
		-12.6	-13.0	5.7	5.7	5.7	5.7	5.7	5.7
		-10.5	-11.0	6.0	6.0	6.0	6.0	6.0	5.9
		-9.5	-10.0	6.1	6.1	6.1	6.1	6.1	6.1
		-8.5	-9.1	6.3	6.3	6.2	6.2	6.2	6.2
		-7.0	-7.6	6.5	6.5	6.4	6.4	6.4	6.4
		-5.0	-5.6	6.8	6.7	6.7	6.7	6.7	6.7
		-3.0	-3.7	7.0	7.0	7.0	7.0	7.0	7.0
		0.0	-0.7	7.5	7.4	7.4	7.4	7.4	7.0
		3.0	2.2	7.9	7.8	7.8	7.7	7.5	7.0
		5.0	4.1	8.1	8.1	8.0	7.7	7.5	7.0
		7.0	6.0	8.4	8.4	8.0	7.7	7.5	7.0
		9.0	7.9	8.7	8.5	8.0	7.7	7.5	7.0
		11.0	9.8	8.9	8.5	8.0	7.7	7.5	7.0
13.0	11.8	9.0	8.5	8.0	7.7	7.5	7.0		
15.0	13.7	9.0	8.5	8.0	7.7	7.5	7.0		
80	10.0	-19.8	-20.0	5.9	5.9	5.9	5.9	5.9	5.8
		-18.8	-19.0	6.1	6.1	6.0	6.0	6.0	6.0
		-16.7	-17.0	6.4	6.4	6.4	6.4	6.4	6.4
		-14.7	-15.0	6.8	6.8	6.8	6.7	6.7	6.7
		-12.6	-13.0	7.1	7.1	7.1	7.1	7.1	7.1
		-10.5	-11.0	7.5	7.5	7.5	7.5	7.4	7.4
		-9.5	-10.0	7.7	7.7	7.6	7.6	7.6	7.6
		-8.5	-9.1	7.8	7.8	7.8	7.8	7.8	7.8
		-7.0	-7.6	8.1	8.1	8.1	8.1	8.0	8.0
		-5.0	-5.6	8.4	8.4	8.4	8.4	8.4	8.4
		-3.0	-3.7	8.8	8.8	8.7	8.7	8.7	8.7
		0.0	-0.7	9.3	9.3	9.3	9.3	9.3	8.7
		3.0	2.2	9.8	9.8	9.8	9.7	9.4	8.7
		5.0	4.1	10.2	10.1	10.0	9.7	9.4	8.7
		7.0	6.0	10.5	10.5	10.0	9.7	9.4	8.7
		9.0	7.9	10.8	10.6	10.0	9.7	9.4	8.7
		11.0	9.8	11.2	10.6	10.0	9.7	9.4	8.7
13.0	11.8	11.3	10.6	10.0	9.7	9.4	8.7		
15.0	13.7	11.3	10.6	10.0	9.7	9.4	8.7		
100	12.5	-19.8	-20.0	7.4	7.4	7.3	7.3	7.3	7.3
		-18.8	-19.0	7.6	7.6	7.6	7.5	7.5	7.5
		-16.7	-17.0	8.0	8.0	8.0	8.0	8.0	8.0
		-14.7	-15.0	8.5	8.5	8.4	8.4	8.4	8.4
		-12.6	-13.0	8.9	8.9	8.9	8.9	8.9	8.8
		-10.5	-11.0	9.4	9.3	9.3	9.3	9.3	9.3
		-9.5	-10.0	9.6	9.6	9.5	9.5	9.5	9.5
		-8.5	-9.1	9.8	9.8	9.7	9.7	9.7	9.7
		-7.0	-7.6	10.1	10.1	10.1	10.1	10.1	10.0
		-5.0	-5.6	10.6	10.5	10.5	10.5	10.5	10.5
		-3.0	-3.7	11.0	11.0	10.9	10.9	10.9	10.9
		0.0	-0.7	11.6	11.6	11.6	11.6	11.6	10.9
		3.0	2.2	12.3	12.3	12.2	12.1	11.7	10.9
		5.0	4.1	12.7	12.7	12.5	12.1	11.7	10.9
		7.0	6.0	13.1	13.1	12.5	12.1	11.7	10.9
		9.0	7.9	13.5	13.3	12.5	12.1	11.7	10.9
		11.0	9.8	14.0	13.3	12.5	12.1	11.7	10.9
13.0	11.8	14.1	13.3	12.5	12.1	11.7	10.9		
15.0	13.7	14.1	13.3	12.5	12.1	11.7	10.9		
125	16.0	-19.8	-20.0	9.4	9.4	9.4	9.4	9.4	9.3
		-18.8	-19.0	9.7	9.7	9.7	9.7	9.6	9.6
		-16.7	-17.0	10.3	10.3	10.2	10.2	10.2	10.2
		-14.7	-15.0	10.9	10.8	10.8	10.8	10.8	10.7
		-12.6	-13.0	11.4	11.4	11.4	11.4	11.3	11.3
		-10.5	-11.0	12.0	12.0	11.9	11.9	11.9	11.9
		-9.5	-10.0	12.3	12.2	12.2	12.2	12.2	12.2
		-8.5	-9.1	12.5	12.5	12.5	12.5	12.4	12.4
		-7.0	-7.6	13.0	12.9	12.9	12.9	12.9	12.8
		-5.0	-5.6	13.5	13.5	13.5	13.4	13.4	13.4
		-3.0	-3.7	14.1	14.0	14.0	14.0	14.0	13.9
		0.0	-0.7	14.9	14.9	14.8	14.8	14.8	13.9
		3.0	2.2	15.7	15.7	15.7	15.5	15.0	13.9
		5.0	4.1	16.3	16.2	16.0	15.5	15.0	13.9
		7.0	6.0	16.8	16.8	16.0	15.5	15.0	13.9
		9.0	7.9	17.3	17.0	16.0	15.5	15.0	13.9
		11.0	9.8	17.9	17.0	16.0	15.5	15.0	13.9
13.0	11.8	18.1	17.0	16.0	15.5	15.0	13.9		
15.0	13.7	18.1	17.0	16.0	15.5	15.0	13.9		

3TW25512-2A

5 Dimensional drawing & centre of gravity

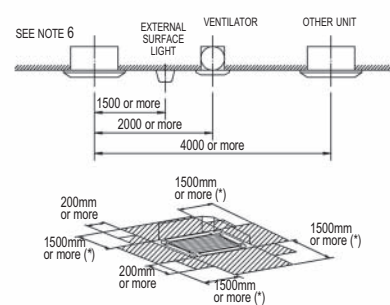
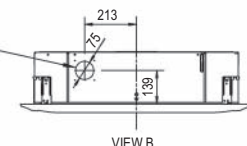
5 - 1 Dimensional drawing for standard panel

FXFQ20,25,32,40,50,63P9



Nr	Name	Description
1	Liquid pipe connection	ø A flare connection
2	Gas pipe connection	ø B flare connection
3	Drain pipe connection	VP25 (O.D. ø 32 / I.D. ø 25)
4	Power supply entry hole	
5	Transmission wiring entry hole	
6	Air discharge opening	
7	Air suction grille	
8	Corner decoration cover	
9	Drain hose	O.D. ø 32 / I.D. ø 26
10	Knock out hole	

MODEL	A	B
FXFQ20-50P9	6.35	12.7
FXFQ63P9	9.52	15.9

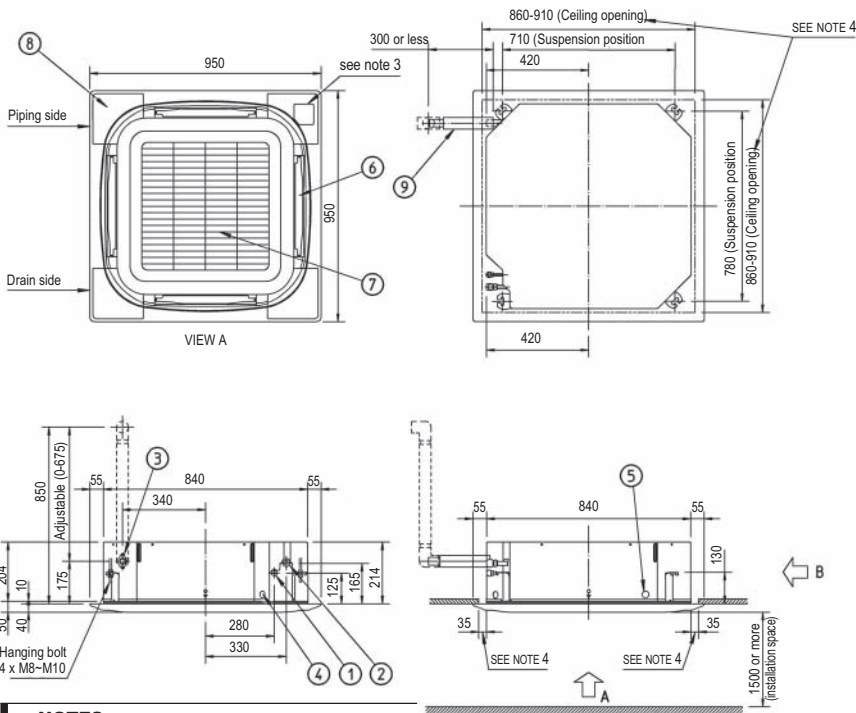


NOTES

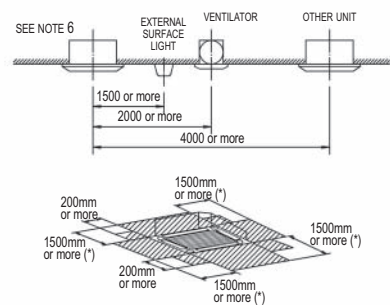
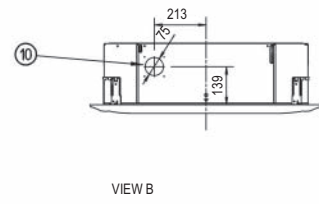
- Location of the nameplates
- Unit body: on the control box cover.
- Decoration panel: on the panel frame at the motor side under the corner cover
- When installing an optional accessory, refer to the installation drawings.
- For the fresh air intake kit an inspection port is necessary
- In case of using an infrared remote control, this position will be a signal receiver. Refer to the drawing of the infrared remote control for more detail.
- Make sure the spacing between the ceiling and the cassette is no more than 35mm. MAX ceiling opening: 910mm.
- When the conditions exceed 30°C and RH 80% in the ceiling or fresh air is inducted into the ceiling, an additional insulation is required (polyethylene foam, thickness 10mm or more).
- Please respect the distances as shown on the figure

3TW28834-1B

FXFQ80,100P9



Nr	Name	Description
1	Liquid pipe connection	ø 9.52 flare connection
2	Gas pipe connection	ø 15.90 flare connection
3	Drain pipe connection	VP25 (O.D. ø 32 / I.D. ø 25)
4	Power supply entry hole	
5	Transmission wiring entry hole	
6	Air discharge opening	
7	Air suction grille	
8	Corner decoration cover	
9	Drain hose	O.D. ø 32 / I.D. ø 26
10	Knock out hole	



NOTES

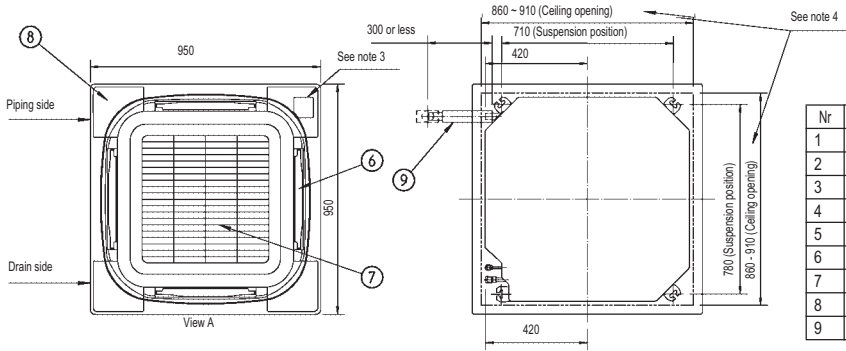
- Location of the nameplates
- Unit body: on the control box cover.
- Decoration panel: on the panel frame at the motor side under the corner cover
- When installing an optional accessory, refer to the installation drawings.
- For the fresh air intake kit an inspection port is necessary
- In case of using an infrared remote control, this position will be a signal receiver. Refer to the drawing of the infrared remote control for more detail.
- Make sure the spacing between the ceiling and the cassette is no more than 35mm. MAX ceiling opening: 910mm.
- When the conditions exceed 30°C and RH 80% in the ceiling or fresh air is inducted into the ceiling, an additional insulation is required (polyethylene foam, thickness 10mm or more).
- Please respect the distances as shown on the figure

3TW28894-1B

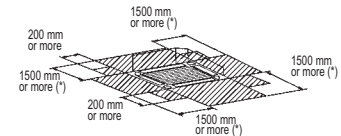
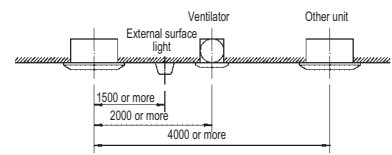
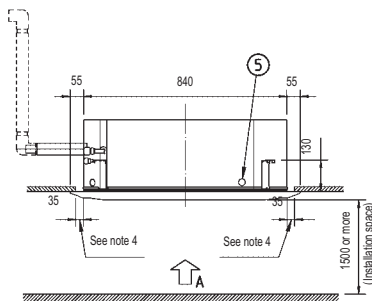
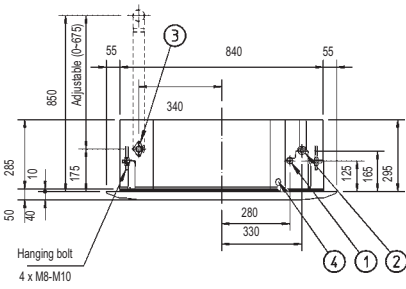
5 Dimensional drawing & centre of gravity

5 - 1 Dimensional drawing for standard panel

FXFQ125P9



Nr	Name	Description
1	Liquid pipe connection	ø9.52 flare connection
2	Gas pipe connection	ø15.90 flare connection
3	Drain pipe connection	VP25 (O.D. ø32, I.D. ø25)
4	Power supply connection	
5	Transmission wiring connection	
6	Air discharge opening	
7	Air suction grill	
8	Corner decoration cover	
9	Drain house	O.D. ø32 I.D. ø26



NOTES

- Location of the nameplates:
 - Unit body: on the control box cover.
 - Decoration panel: on the panel frame at the motor side under the corner cover
- When installing an optional accessory, refer to the installation drawings
 - For the fresh air intake kit ... an inspection port is necessary

- In case of using an Infrared remote control, this position will be a signal receiver. Refer to the drawing of the infrared remote control for more detail
- Make sure the spacing between the ceiling and the cassette is no more than 35 mm. Max ceiling opening: 910 mm.
- When the conditions exceed 30°C and RH 80% in the ceiling or fresh air is inducted into the ceiling, an additional insulation is required (polyethylene foam, thickness 10 mm or more.)
- Please respect the distances as shown above

(*) In case a discharge opening is closed with the 'sealing member' option, the distance of 1500 mm can be reduced to 500 mm on the closed side.

3TW28914-1C

5 Dimensional drawing & centre of gravity

5 - 2 Dimensional drawing for auto leaning panel

FXFQ20-63P9VEB

Nr	Name	Description
1	Liquid pipe connection	ØA flare connection
2	Gas pipe connection	ØB flare connection
3	Drain pipe connection	VP25 (O.D. Ø32, I.D. Ø25)
4	Power supply entry hole	
5	Transmission wiring entry hole	
6	Air discharge opening	
7	Air suction grille	
8	Corner decoration cover	
9	Drain hose	O.D. Ø32, I.D. Ø26
10	Knock out hole	

Model	A	B
FCQ35	6.35	9.52
FCQ50-60, FXFQ20-50	6.35	12.7
FCQ71, FXFQ63	9.52	15.9

NOTES

- Location of the nameplates:
 - Unit body: on the control box.
 - Decoration panel: on the panel frame at the motor side under the corner cover
- When installing an optional accessory, refer to the installation drawings.
 - For the fresh air intake kit an inspection part is necessary
- Make sure the spacing between the ceiling and the cassette is no more than 35mm. Max. ceiling opening: 910mm
- When the conditions exceed 30°C and RH 80% in de ceiling or fresh air is included into the ceiling, an additional insulation is required (polyethylene foam, thickness 10mm or more).

3TW32464-1

FXFQ80-100P9VEB

Nr	Name	Description
1	Liquid pipe connection	Ø9.52 flare connection
2	Gas pipe connection	Ø15.90 flare connection
3	Drain pipe connection	VP25 (O.D. Ø32, I.D. Ø25)
4	Power supply entry hole	
5	Transmission wiring entry hole	
6	Air discharge opening	
7	Air suction grille	
8	Corner decoration cover	
9	Drain hose	O.D. Ø32, I.D. Ø26
10	Knock out hole	

NOTES

- Location of the nameplates:
 - Unit body: on the control box.
 - Decoration panel: on the panel frame at the motor side under the corner cover
- When installing an optional accessory, refer to the installation drawings.
 - For the fresh air intake kit an inspection part is necessary
- Make sure the spacing between the ceiling and the cassette is no more than 35mm. Max. ceiling opening: 910mm
- When the conditions exceed 30°C and RH 80% in de ceiling or fresh air is included into the ceiling, an additional insulation is required (polyethylene foam, thickness 10mm or more).

3TW32524-1

5 Dimensional drawing & centre of gravity

5 - 2 Dimensional drawing for auto leaning panel

FXFQ125P9VEB

VIEW A

VIEW B

Nr	Name	Description
1	Liquid pipe connection	Ø9.52 flare connection
2	Gas pipe connection	Ø15.90 flare connection
3	Drain pipe connection	VP25 (O.D. Ø32, I.D. Ø25)
4	Power supply entry hole	
5	Transmission wiring entry hole	
6	Air discharge opening	
7	Air suction grille	
8	Corner decoration cover	
9	Drain hose	O.D. Ø32, I.D. Ø26
10	Knock out hole	

6. Please respect the distances as shown on figure below

(*)1 Does not count for build in light
 (*)2 Space needed to enter with vacuum-cleaner tube.
 (*)3 Keep the exhaust of decoration panel free.

(*)4 In case a discharge opening is closed with the 'sealing member' option, the distance of 1500mm can be reduced to 500 mm on the closed side.

NOTES

- Location of the nameplates:
 - Unit body: on the control box.
 - Decoration panel: on the panel frame at the motor side under the corner cover
- When installing an optional accessory, refer to the installation drawings.
 - For the fresh air intake kit an inspection part is necessary
- Make sure the spacing between the ceiling and the cassette is no more than 35mm. Max. ceiling opening: 910mm
- When the conditions exceed 30°C and RH 80% in de ceiling or fresh air is included into the ceiling, an additional insulation is required (polyethylene foam, thickness 10mm or more).

5. Installation direction

3TW32544-1

5 Dimensional drawing & centre of gravity

5 - 3 Dimensional drawing with accessories

FXFQ20,25,32,40,50,63P9

Service access panel: 450x450 mm or more (Refer to note: 1)

Installation service access panel

Service access panel: 450 x 450 mm or more (Refer to note: 1)

Notes:

- When installing this kit, inspection hatch is necessary. (It is necessary when servicing.) Either one of inspection hatches must be installed.
- Field construction.
- The corner air outlet of this part must be shut.
- In case of mounting a duct fan, make sure to use a wiring adapter for electrical appendices and link with the indoor unit fan.
- The intake air flow rate is recommended to be 20% or less of the H speed air flow rate. If the intake air flow rate is too large, the operating sound may rise or detection of the indoor unit suction temperature may be affected.
- It indicates the distance between the T-tube inlet and the indoor unit inlet when the T-tube is connected.

Dimensions: 840, 725, 448, 508, 328, 427, 55, 264, 455 (Ceiling opening space), 148, 165, 275, 1000, 140, 130, 120, 110, 100, 90, 80, 70, 60, 50, 40, 30, 20, 10, 0, 1, 2, 3, 4, 5, 6

Static pressure of chamber (Pa)

Air flow rate (m³/min)

Ventilation resistance in chamber (Note: 6)

Nr	Name	Description
1	Indoor unit	
2	Decoration panel	
3	Suction chamber	
4	Connecting chamber (Right)	
5	Connecting chamber (Left)	

3D057035

FXFQ80,100P9

Service access panel: 450x450 mm or more (Refer to note: 1)

Installation service access panel

Service access panel: 450 x 450 mm or more (Refer to note: 1)

Notes:

- When installing this kit, inspection hatch is necessary. (It is necessary when servicing.) Either one of inspection hatches must be installed.
- Field construction.
- The corner air outlet of this part must be shut.
- In case of mounting a duct fan, make sure to use a wiring adapter for electrical appendices and link with the indoor unit fan.
- The intake air flow rate is recommended to be 20% or less of the H speed air flow rate. If the intake air flow rate is too large, the operating sound may rise or detection of the indoor unit suction temperature may be affected.
- It indicates the distance between the T-tube inlet and the indoor unit inlet when the T-tube is connected.

Dimensions: 840, 725, 448, 508, 328, 427, 55, 306, 455 (Ceiling opening space), 148, 165, 275, 1000, 140, 130, 120, 110, 100, 90, 80, 70, 60, 50, 40, 30, 20, 10, 0, 1, 2, 3, 4, 5, 6

Static pressure of chamber (Pa)

Air flow rate (m³/min)

Ventilation resistance in chamber (Note: 6)

Nr	Name	Description
1	Indoor unit	
2	Decoration panel	
3	Suction chamber	
4	Connecting chamber (Right)	
5	Connecting chamber (Left)	

3D057034

5 Dimensional drawing & centre of gravity

5 - 3 Dimensional drawing with accessories

FXFQ125P9

Service access panel: 450x450 mm or more (Refer to note: 1)

Installation service access panel

725

840

448

508

328

427

328

427

55

840

55

348

1

2

3

4

5

455 (Ceiling opening space)

Connecting chamber mounting space

Pipe connection side

Drain connection side

Note: 3

Note: 3

A View

Static pressure of chamber (Pa)

Air flow rate (m³/min)

(1000)

Inlet

T-tube

Field supply

Ventilation resistance in chamber (Note: 6)

Nr	Name	Description
1	Indoor unit	
2	Decoration panel	
3	Suction chamber	
4	Connecting chamber (Right)	
5	Connecting chamber (Left)	

3D057032

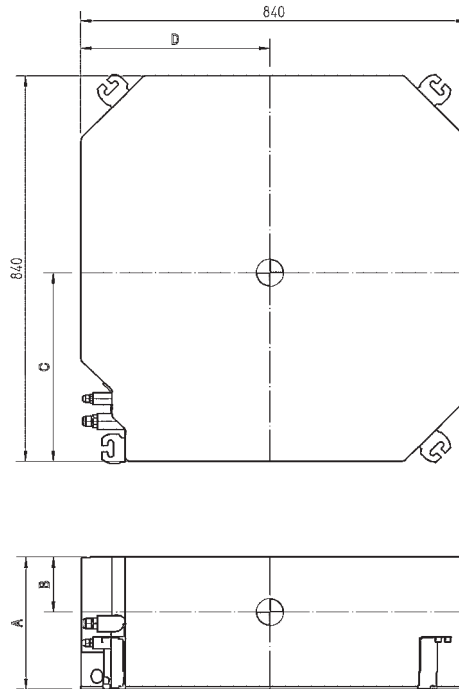
NOTES

- When installing this kit, inspection hatch is necessary. (It is necessary when servicing.) Either one of inspection hatches must be installed.
- Field construction.
- The corner air outlet of this part must be shut.
- In case of mounting a duct fan, make sure to use a wiring adapter for electrical appendices and link with the indoor unit fan.
- The intake air flow rate is recommended to be 20% or less of the H speed air flow rate. If the intake air flow rate is too large, the operating sound may rise or detection of the indoor unit suction temperature may be affected.
- It indicates the distance between the T-tube inlet and the indoor unit inlet when the T-tube is connected.

5 Dimensional drawing & centre of gravity

5 - 4 Centre of gravity

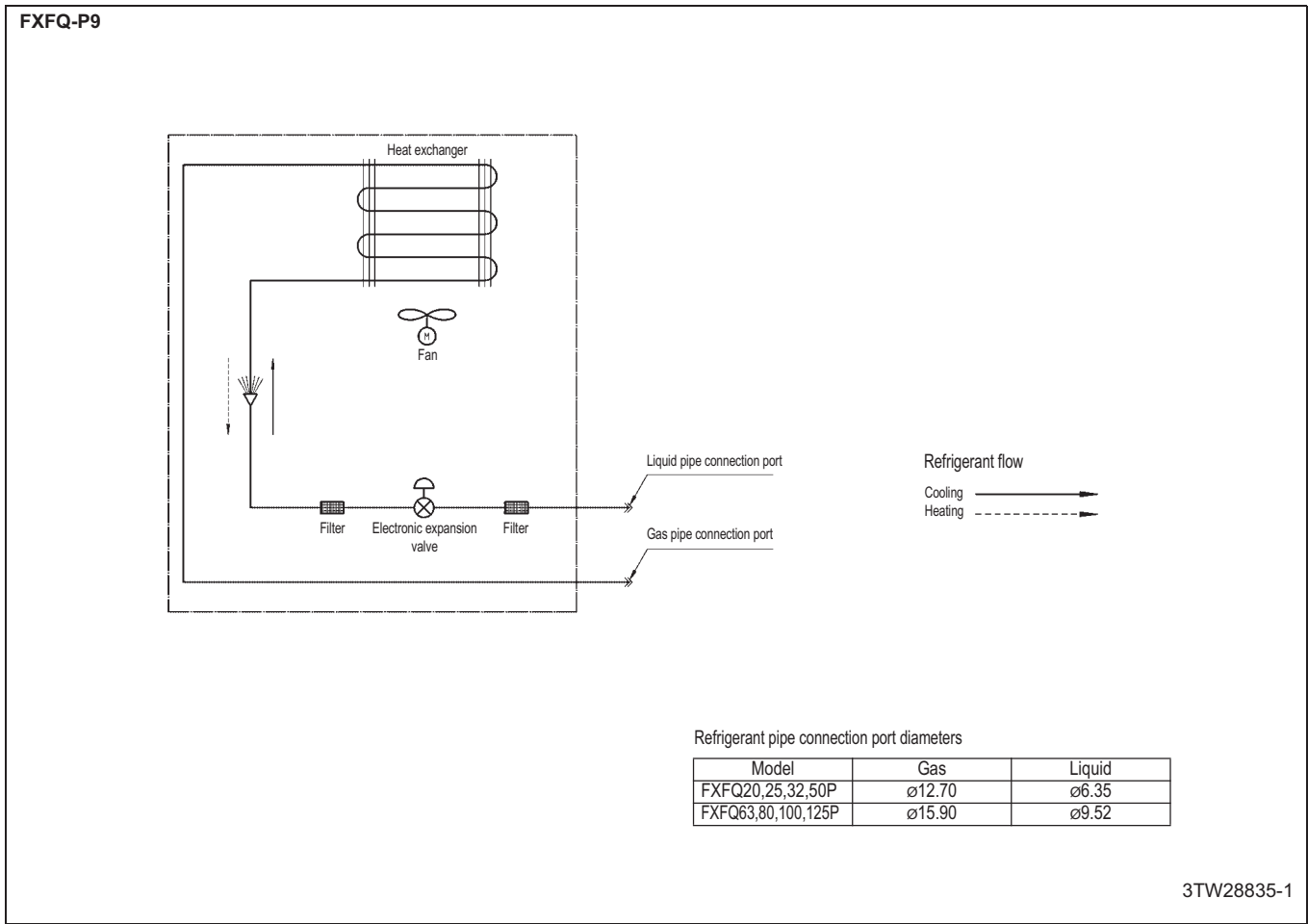
FXFQ-P9



Models	A	B	C	D
FXFQ20~63	202	60	409	358
FXFQ80~100	246	90	411	411
FXFQ125	288	120	420	420

4TW28839-2

6 Piping diagram

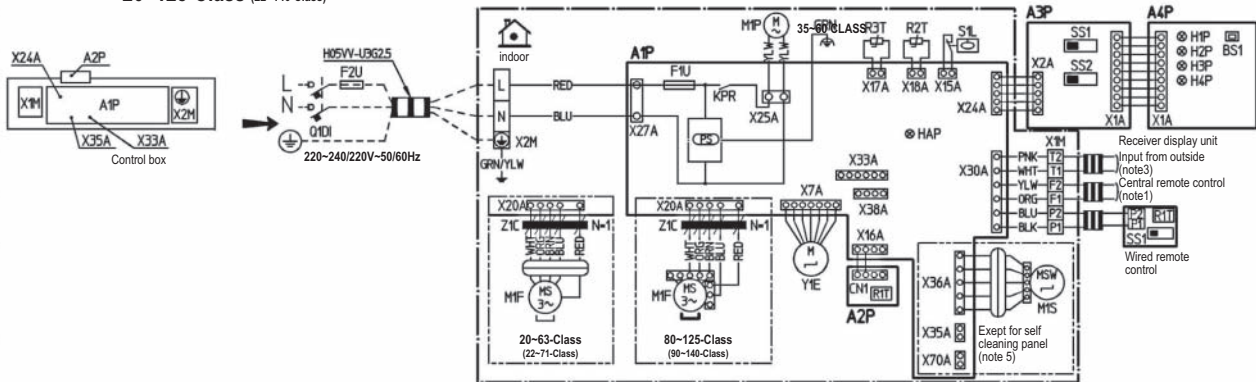


7 Wiring diagram

7 - 1 Wiring diagram

FXFQ20-125P

20~125-Class (22~140-Class)



A1P	Printed circuit board	Receiver display unit (attached to wireless remote controller)	
A2P	Printed circuit board (Humidity sensor unit)	A3P	Printed circuit board
HAP	Light emitting diode (Service monitor green)	A4P	Printed circuit board
KPR	Magnetic relay (M1P)	BS1	Push button (On/off)
M1F	Motor (Indoor fan)	H1P	Light emitting diode (On-red)
M1P	Motor (Drain pump)	H2P	Light emitting diode (Timer-green)
M1S	Motor (Swing flap)	H3P	Light emitting diode (Filter sign-red)
PS	Power supply circuit	H4P	Light emitting diode (Defrost - orange)
R1T	Thermistor (Air)	SS1	Selector switch (Main/sub)
R2T	Thermistor (Coil)	SS2	Selector switch (Wireless address set)
RC	Signal receiver circuit	Connector for optional parts	
S1L	Float switch	X24A	Connector (Wireless remote control)
SS1	Selector switch (Emergency)	X33A	Connector (Adapter for wiring)
TC	Signal transmission circuit	X35A	Connector (Group control adapter)
X1M	Terminal strip	X70A	Connector (Self cleaning panel)
X2M	Terminal strip	Wired remote control	
Z1C	Ferrite core	R1T	Thermistor (Air)
		SS1	Selector switch (Main/sub)

- : Terminal strip
- : Connector
- : Field wiring

- Colors:
- | | | | | | |
|-----|-------|-----|--------|-----|-------|
| RED | Red | YLV | Yellow | BRN | Brown |
| BLK | Black | GRN | Green | GRY | Grey |
| WHT | White | ORG | Orange | BLU | Blue |

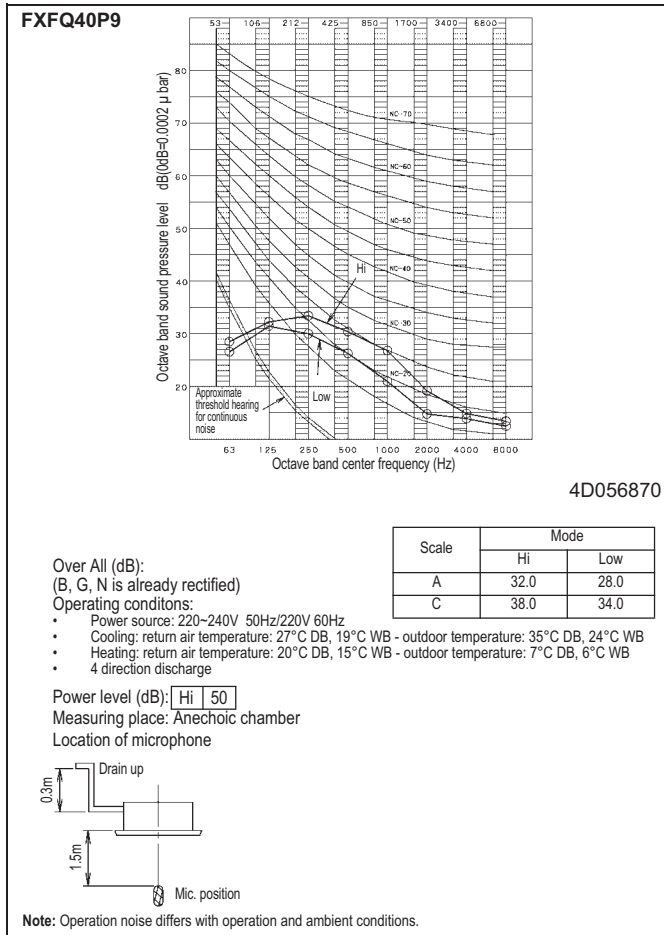
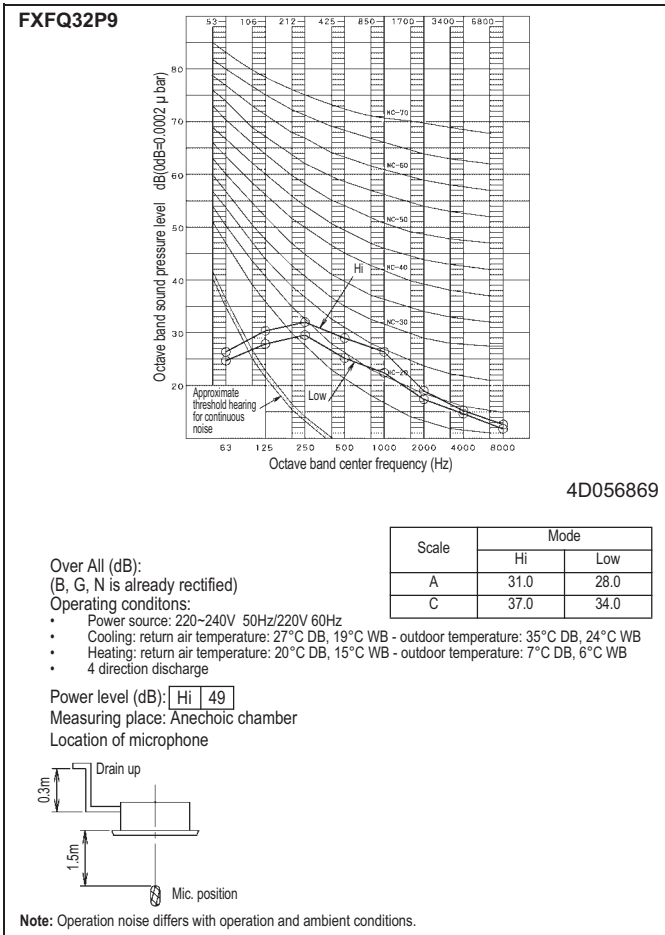
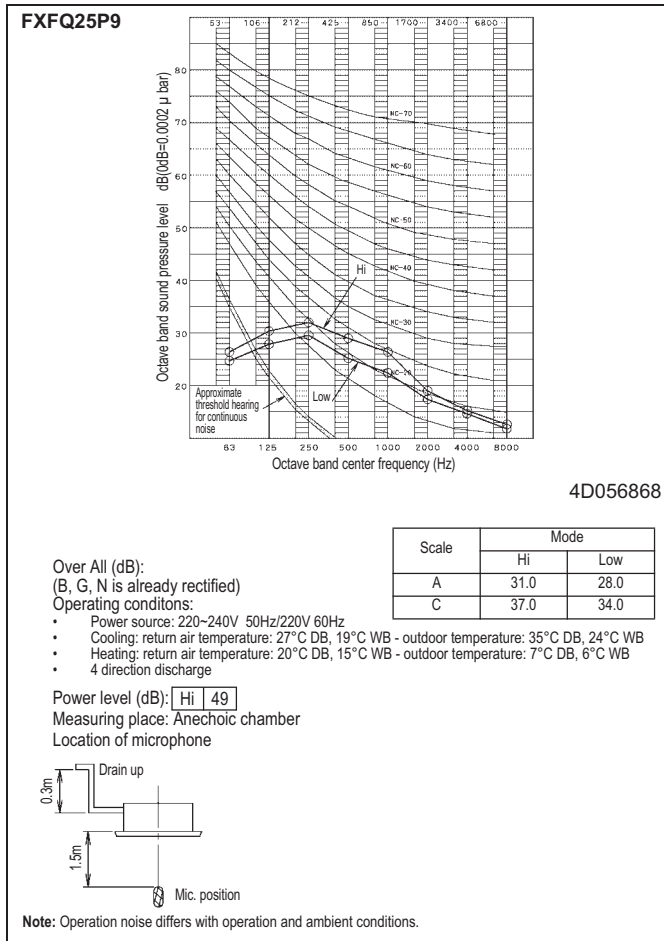
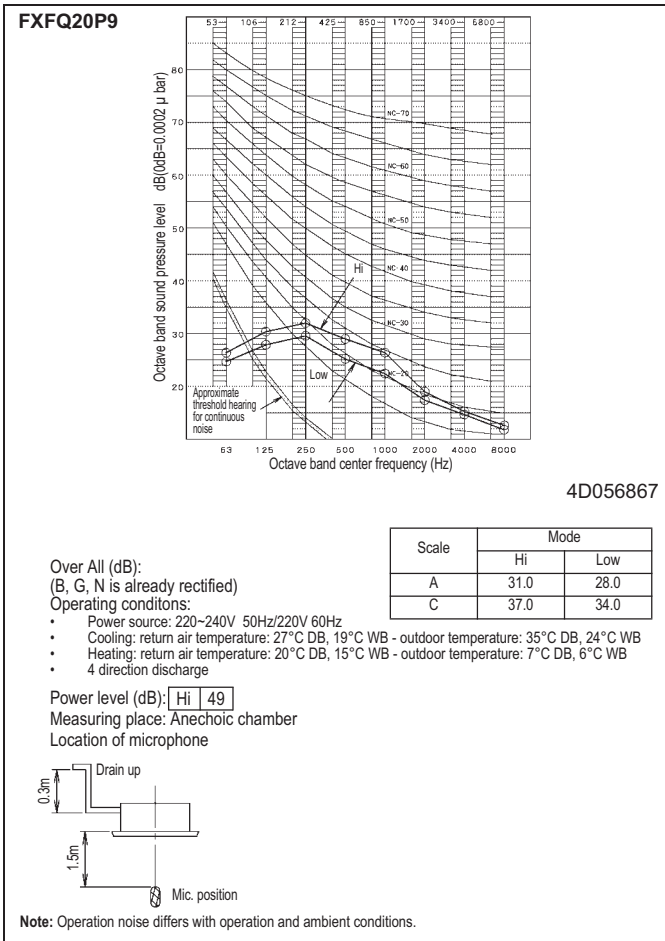
3TW32466-1

NOTES

- In case of using a central remote control, connect it to the unit in accordance with the attached installation manual.
- X24A, X33A and X335A are connected when the optional accessories are being used.
- When connecting the input wires from outside, forced OFF or ON/OFF control operation can be selected by the remote control. See installation manual for details.
- Confirm the method of setting the selector switch (SS1, SS2) by installation manual and engineering data, etc.
- In case of self cleaning panel follow the self cleaning panel installation instruction.

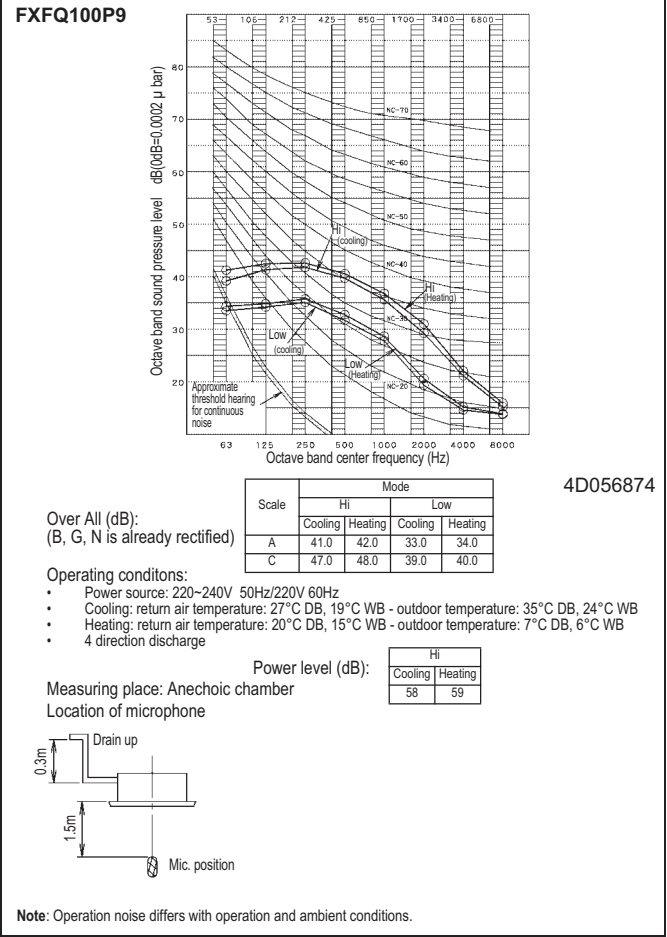
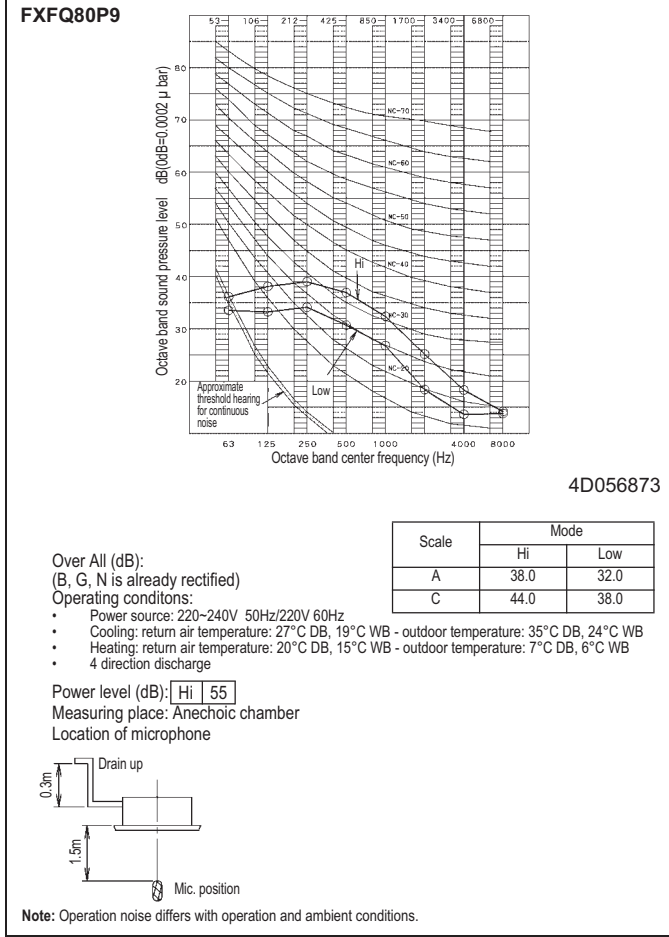
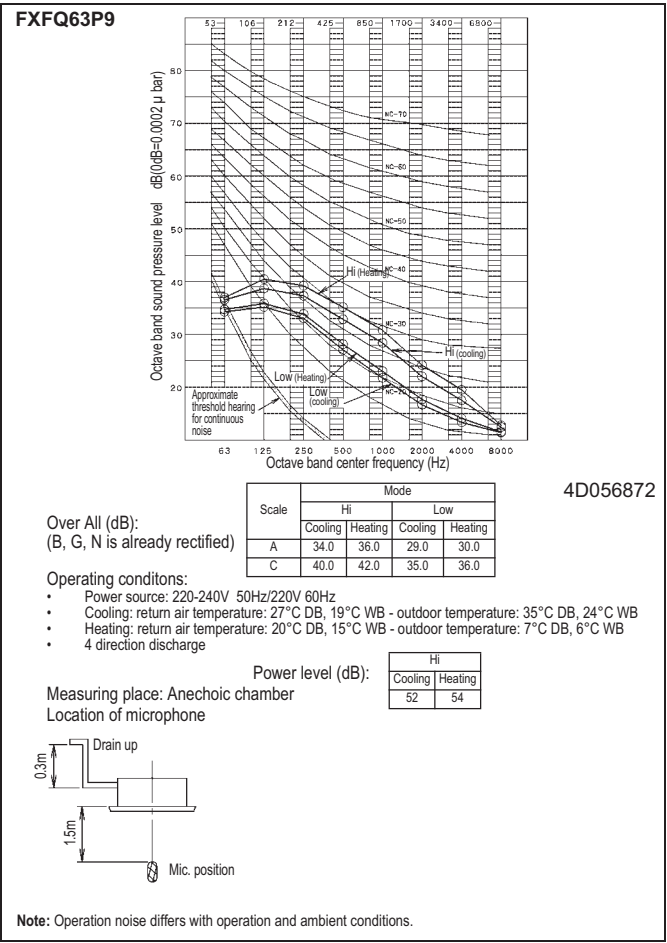
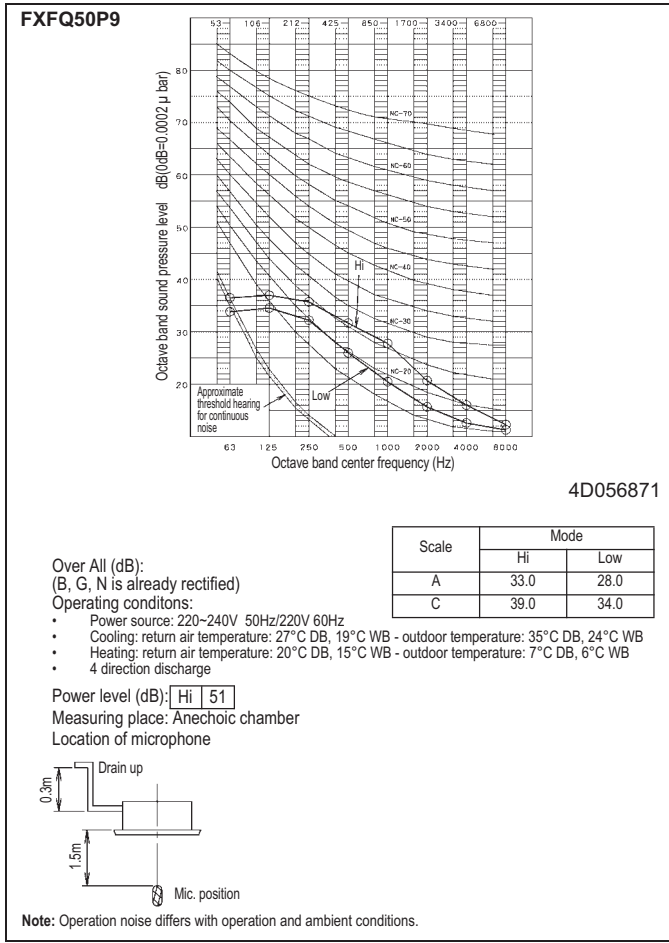
8 Sound data

8 - 1 Sound pressure spectrum



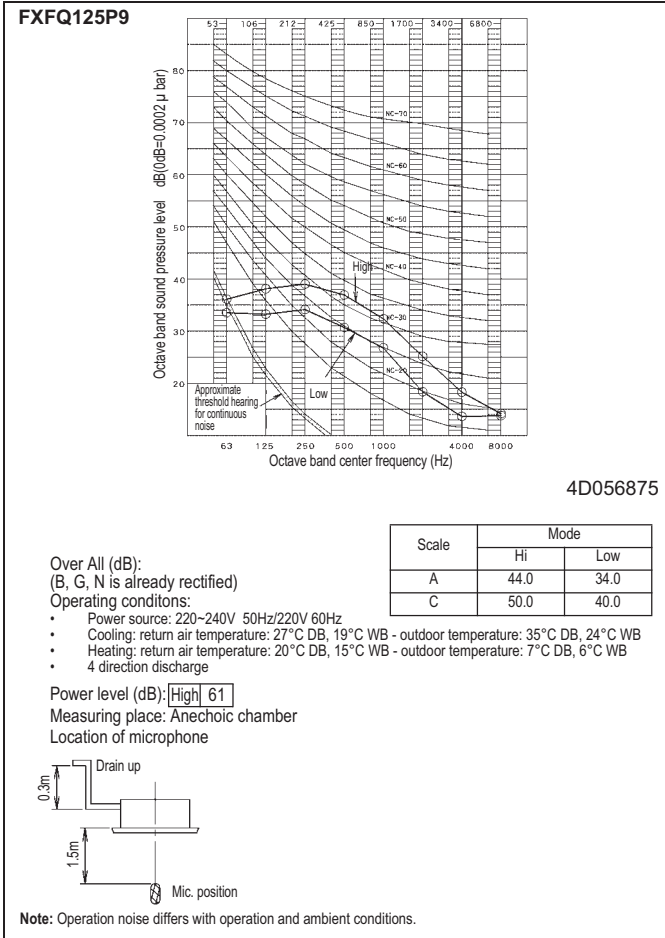
8 Sound data

8 - 1 Sound pressure spectrum



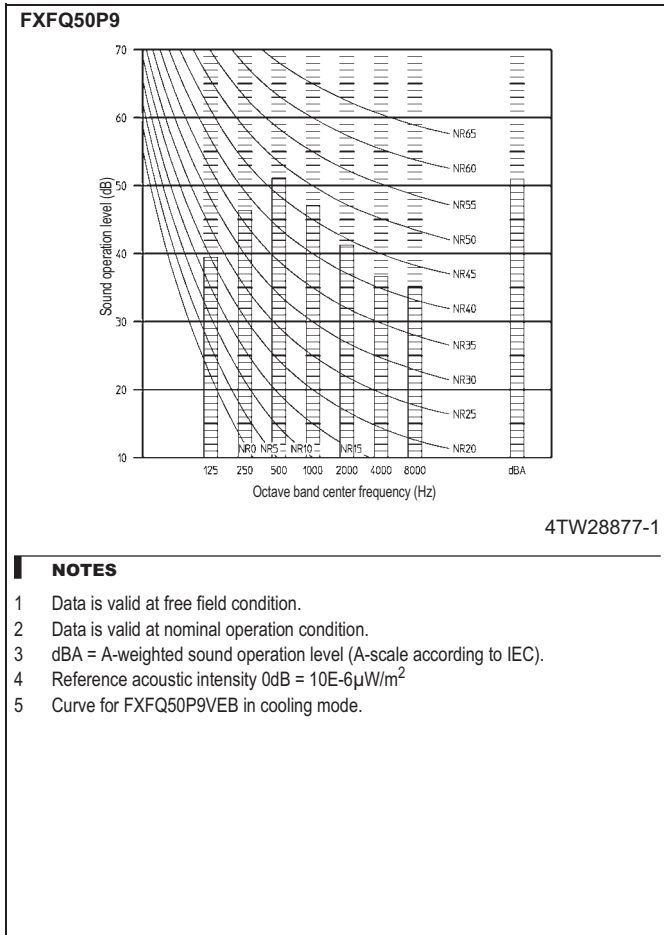
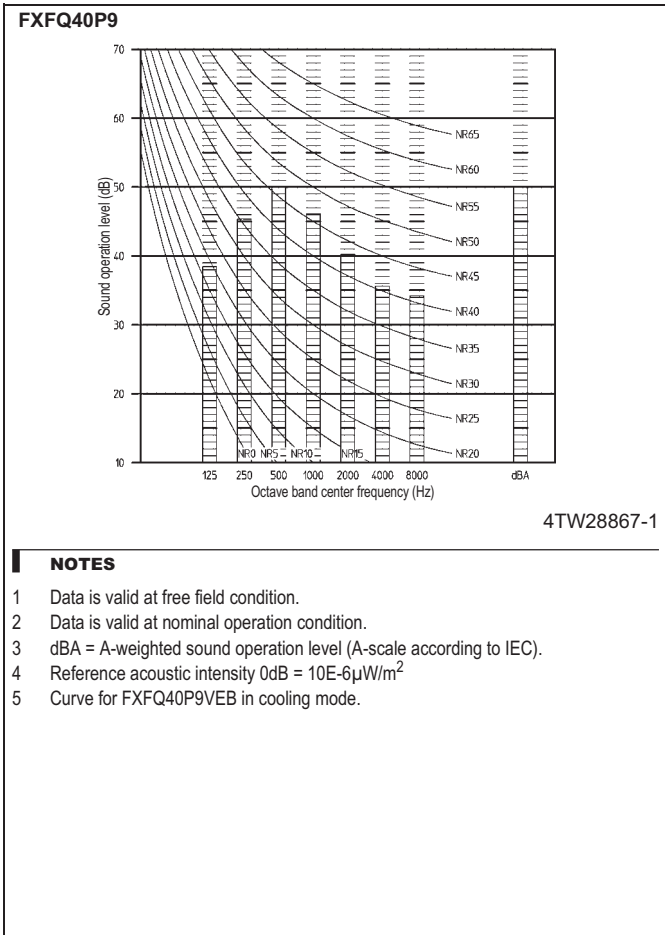
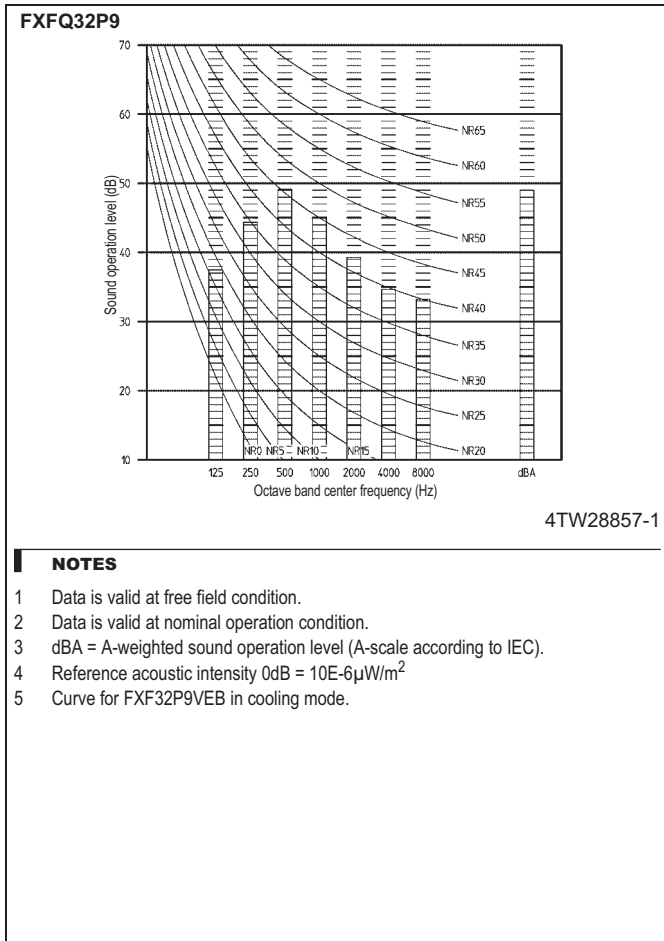
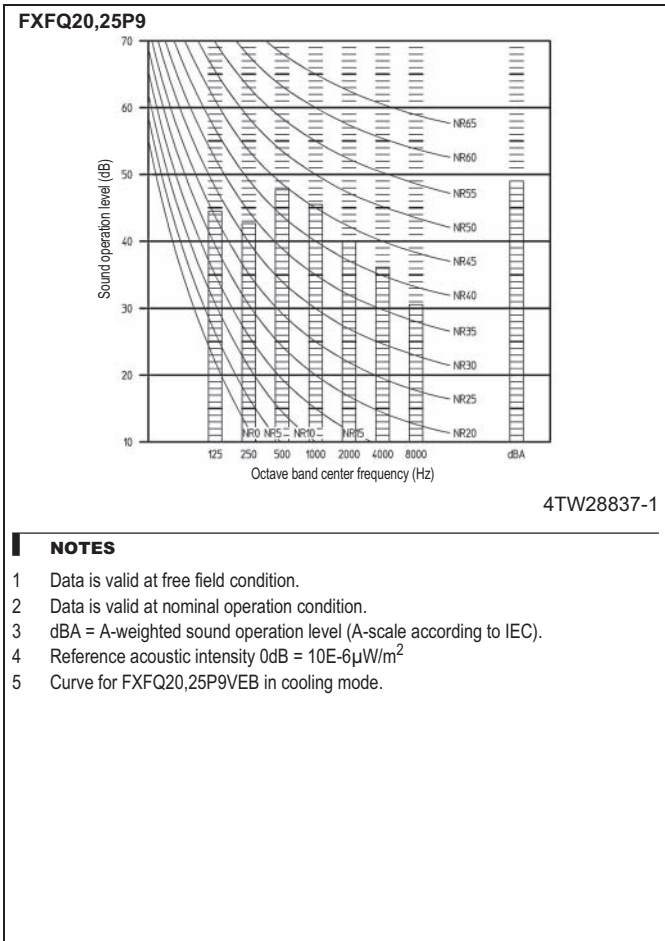
8 Sound data

8 - 1 Sound pressure spectrum



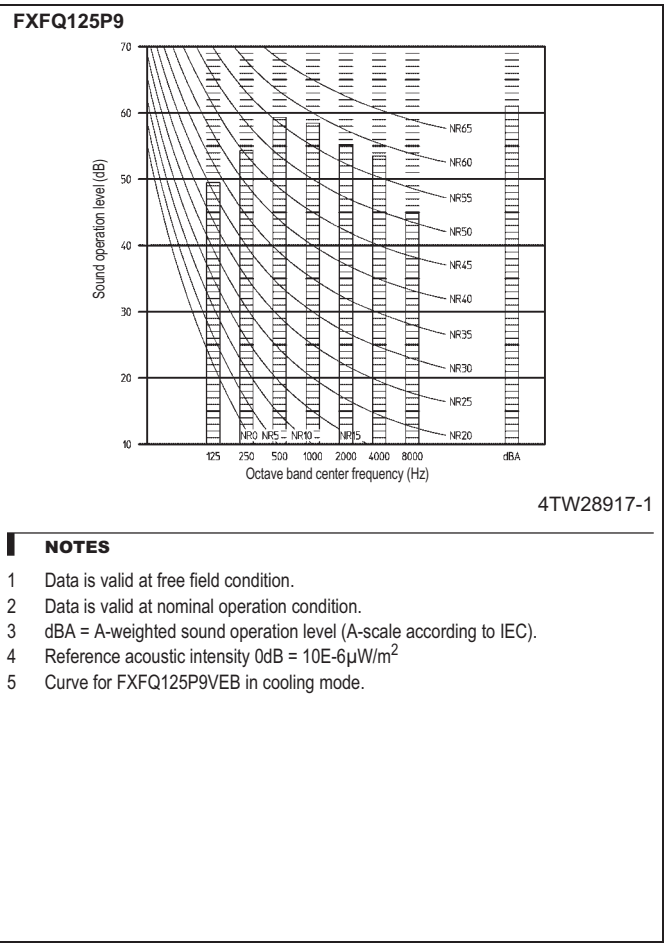
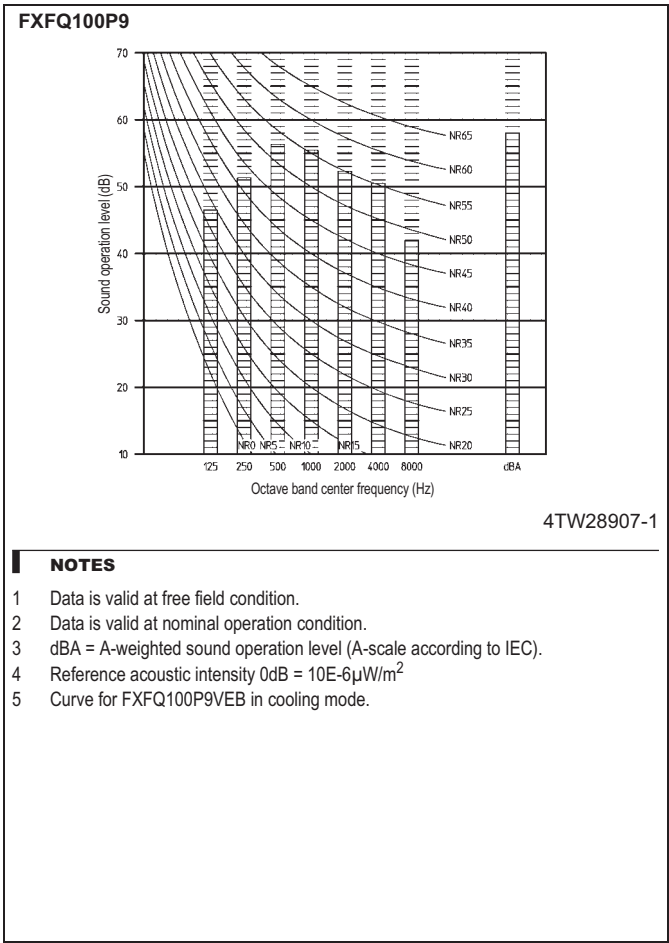
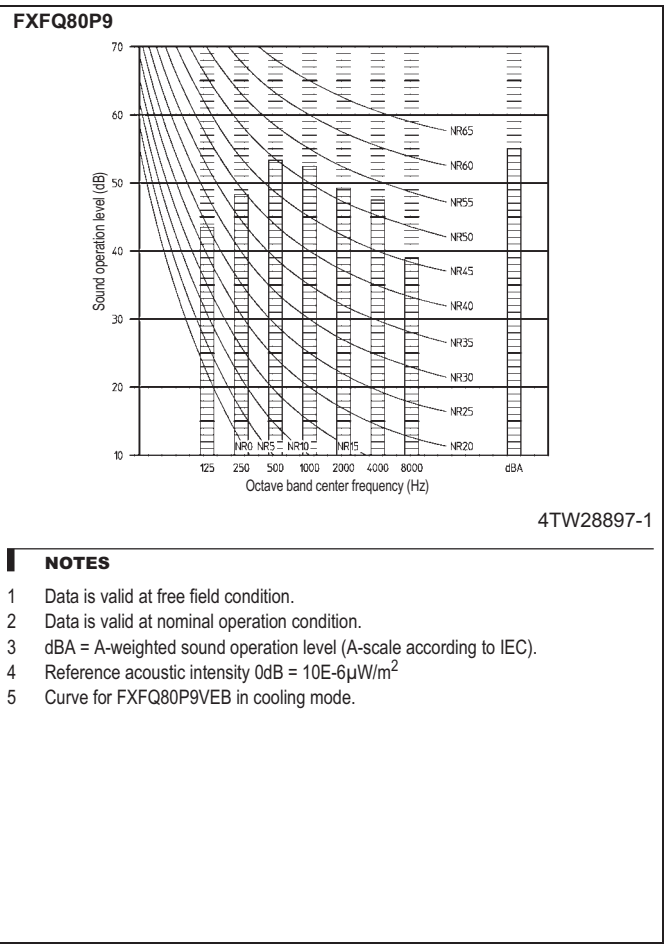
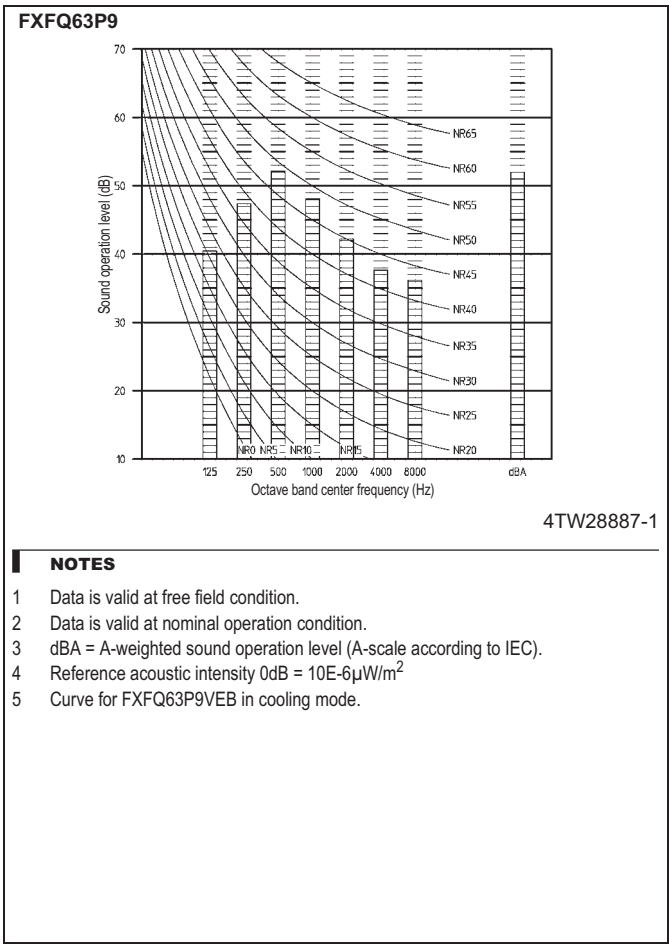
8 Sound data

8 - 2 Sound power spectrum



8 Sound data

8 - 2 Sound power spectrum

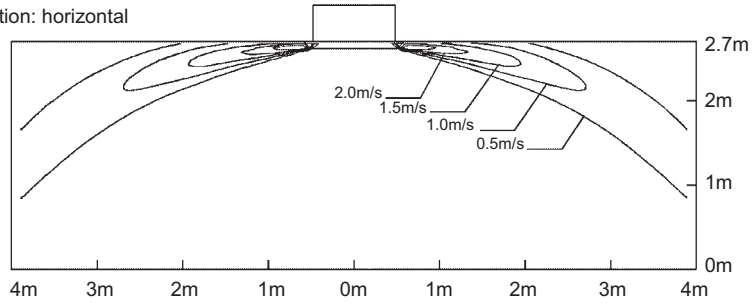


9 Air flow pattern

FXFQ20P9

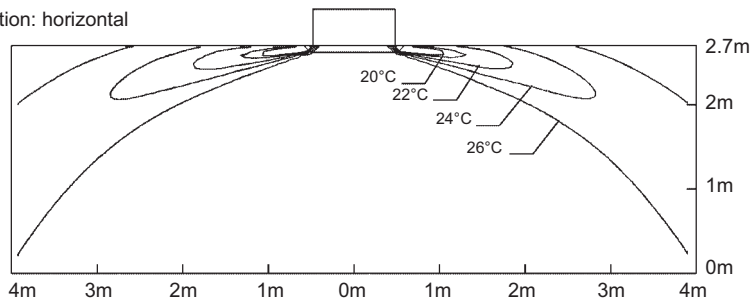
Cooling air velocity distribution

All round air discharge, air flow direction: horizontal



Cooling air temperature distribution

All round air discharge, air flow direction: horizontal

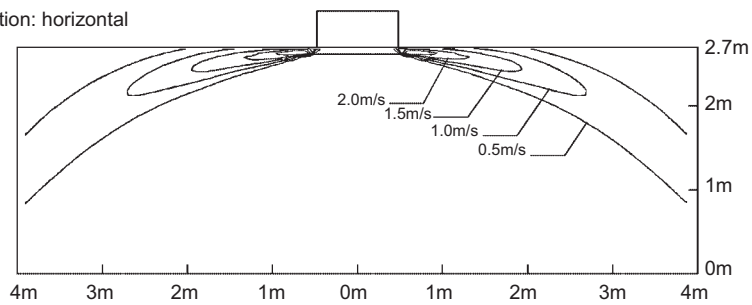


4D057221

FXFQ25P9

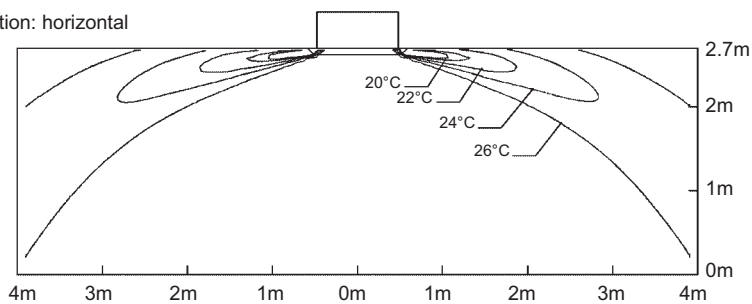
Cooling air velocity distribution

All round air discharge, air flow direction: horizontal



Cooling air temperature distribution

All round air discharge, air flow direction: horizontal



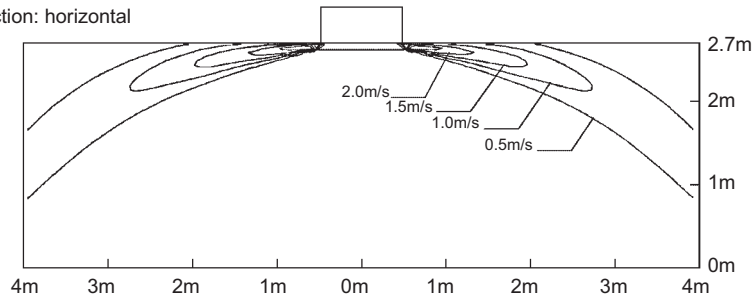
4D057223

9 Air flow pattern

FXFQ32P9

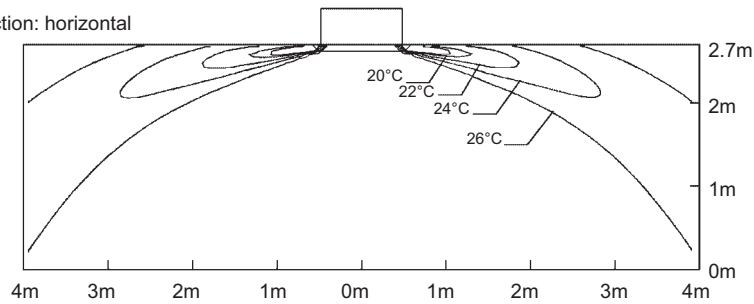
Cooling air velocity distribution

All round air discharge, air flow direction: horizontal



Cooling air temperature distribution

All round air discharge, air flow direction: horizontal

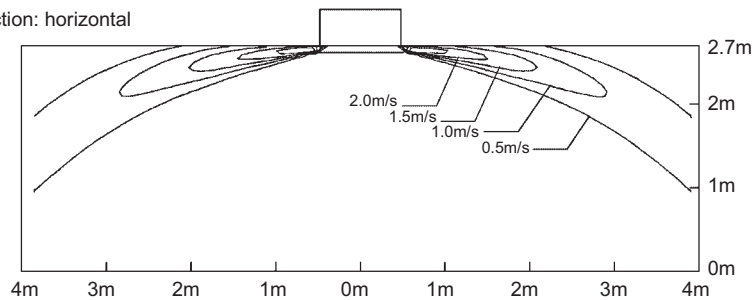


4D057225

FXFQ40P9

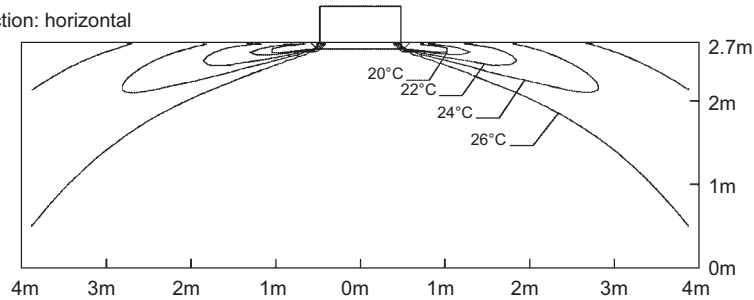
Cooling air velocity distribution

All round air discharge, air flow direction: horizontal



Cooling air temperature distribution

All round air discharge, air flow direction: horizontal



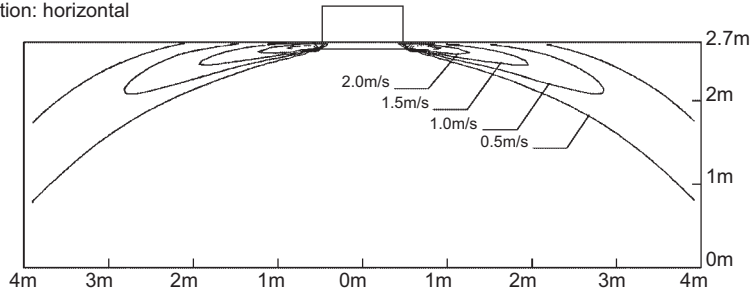
4D057227

9 Air flow pattern

FXFQ50P9

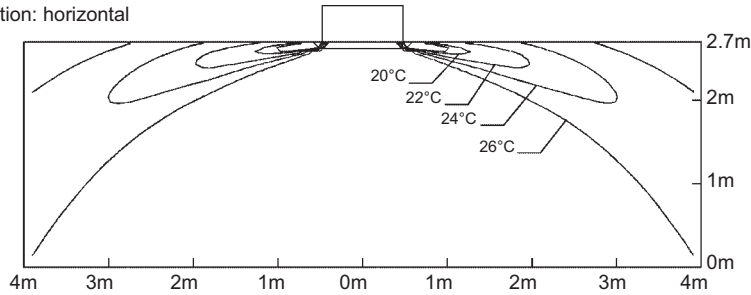
Cooling air velocity distribution

All round air discharge, air flow direction: horizontal



Cooling air temperature distribution

All round air discharge, air flow direction: horizontal

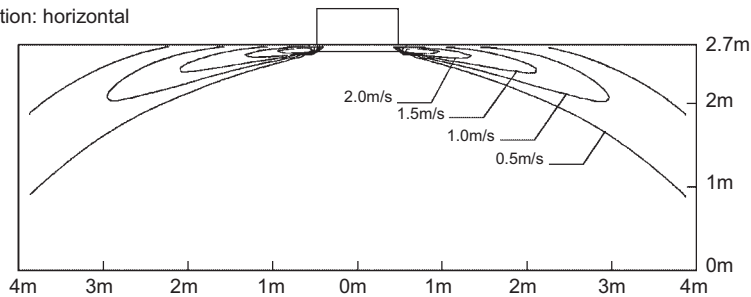


4D057229

FXFQ63P9

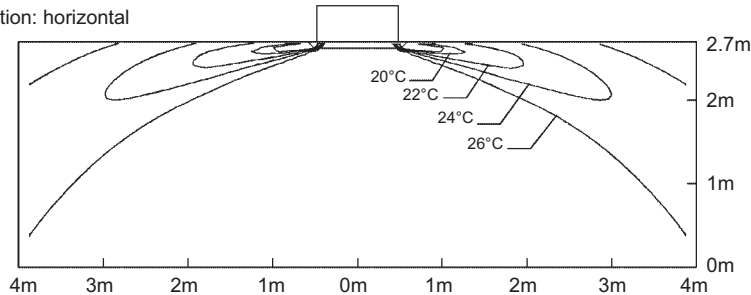
Cooling air velocity distribution

All round air discharge, air flow direction: horizontal



Cooling air temperature distribution

All round air discharge, air flow direction: horizontal



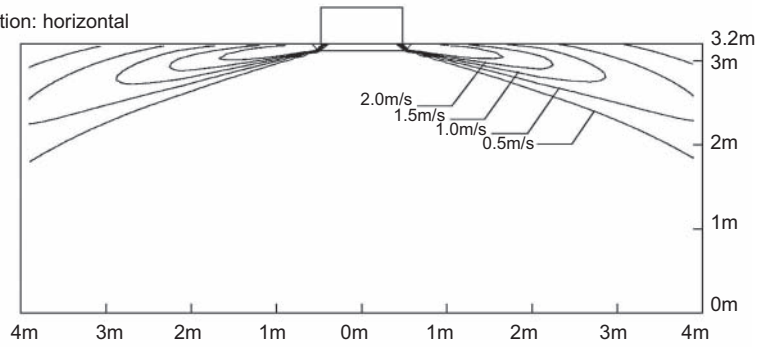
4D057231

9 Air flow pattern

FXFQ80P9

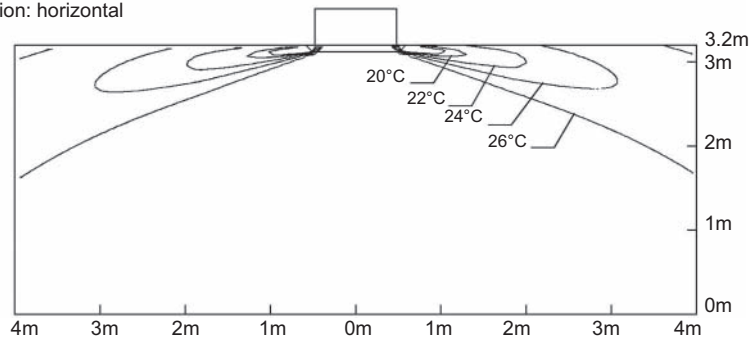
Cooling air velocity distribution

All round air discharge, air flow direction: horizontal



Cooling air temperature distribution

All round air discharge, air flow direction: horizontal

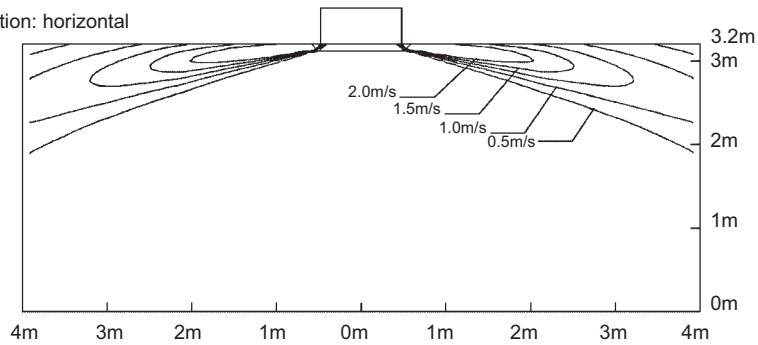


4D057233

FXFQ100P9

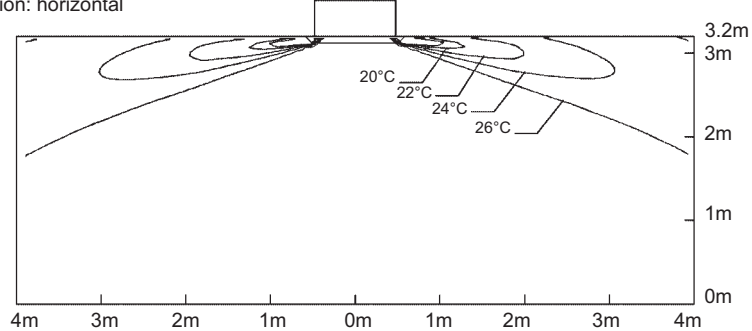
Cooling air velocity distribution

All round air discharge, air flow direction: horizontal



Cooling air temperature distribution

All round air discharge, air flow direction: horizontal



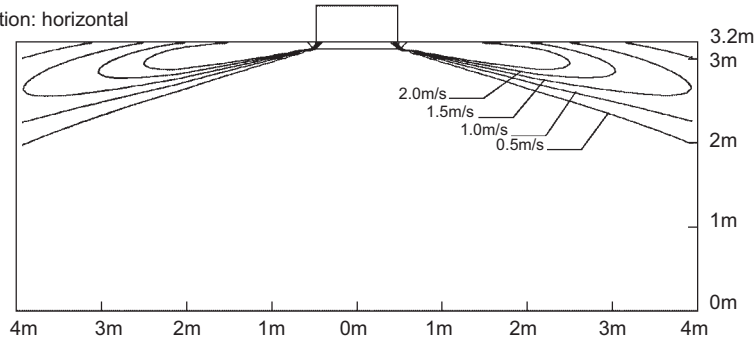
4D057235

9 Air flow pattern

FXFQ125P9

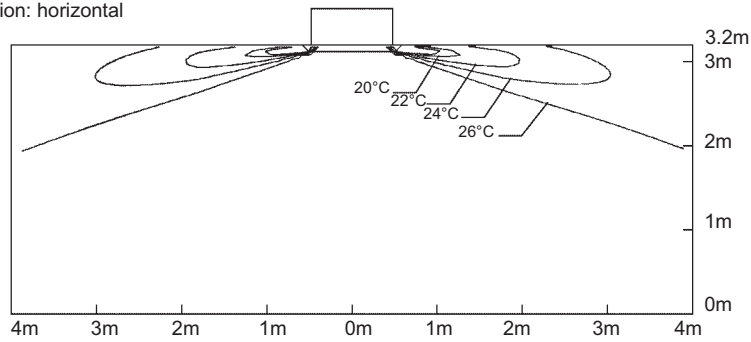
Cooling air velocity distribution

All round air discharge, air flow direction: horizontal



Cooling air temperature distribution

All round air discharge, air flow direction: horizontal

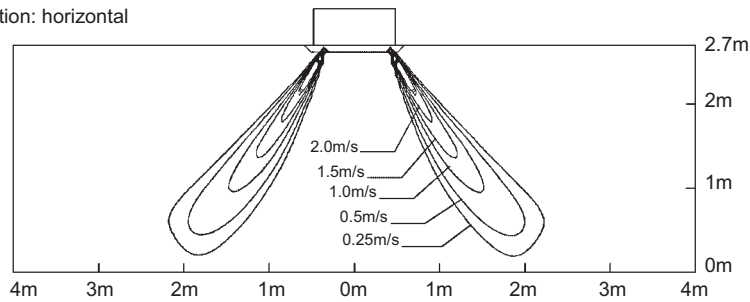


4D057237

FXFQ20P9

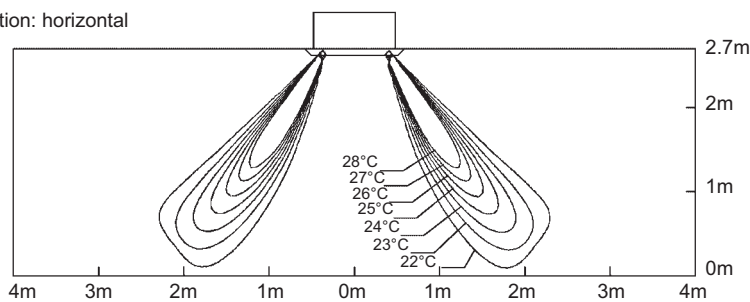
Heating air velocity distribution

All round air discharge, air flow direction: horizontal



Heating air temperature distribution

All round air discharge, air flow direction: horizontal



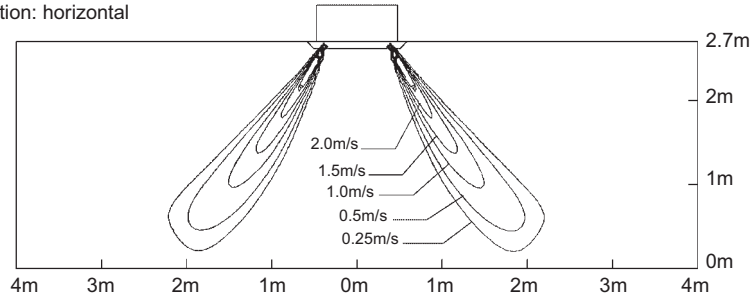
4D057220

9 Air flow pattern

FXFQ25P9

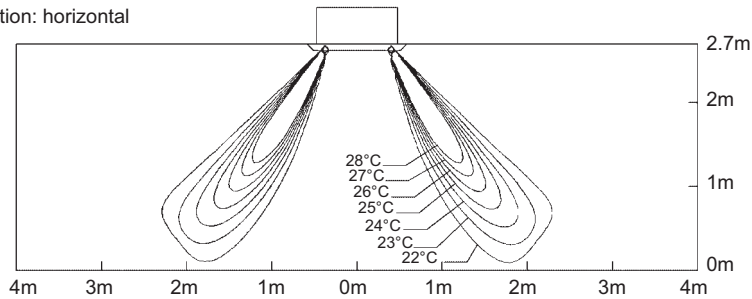
Heating air velocity distribution

All round air discharge, air flow direction: horizontal



Heating air temperature distribution

All round air discharge, air flow direction: horizontal

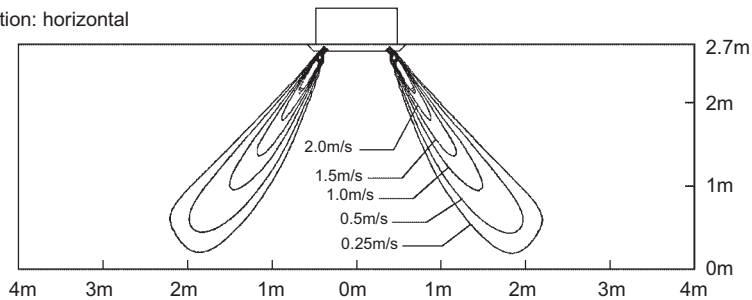


4D057222

FXFQ32P9

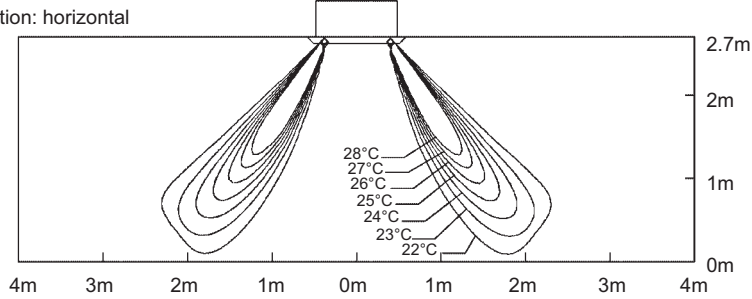
Heating air velocity distribution

All round air discharge, air flow direction: horizontal



Heating air temperature distribution

All round air discharge, air flow direction: horizontal



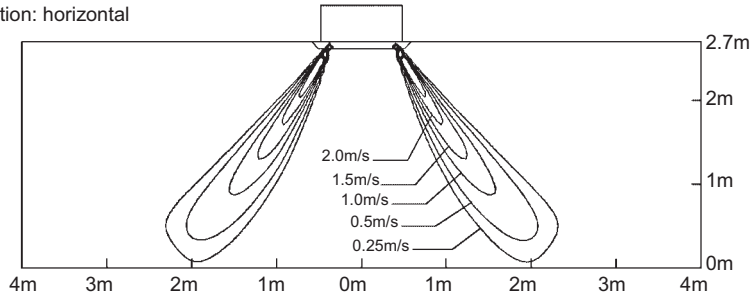
4D057224

9 Air flow pattern

FXFQ40P9

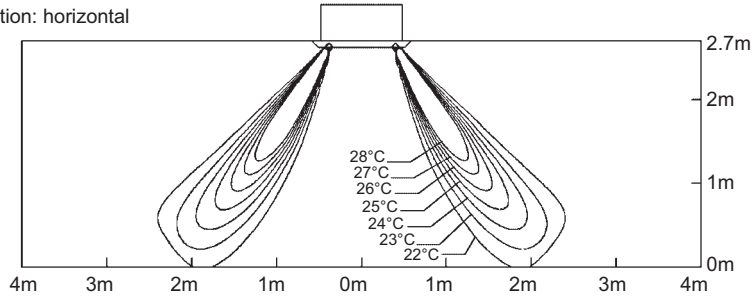
Heating air velocity distribution

All round air discharge, air flow direction: horizontal



Heating air temperature distribution

All round air discharge, air flow direction: horizontal

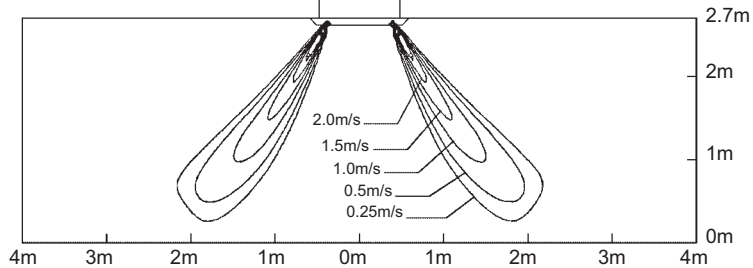


4D057226

FXFQ50P9

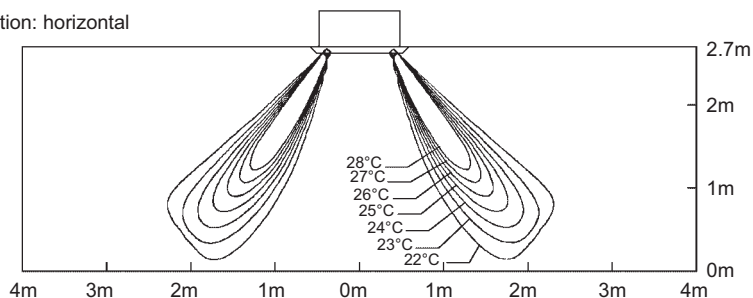
Heating air velocity distribution

All round air discharge, air flow direction: horizontal



Heating air temperature distribution

All round air discharge, air flow direction: horizontal



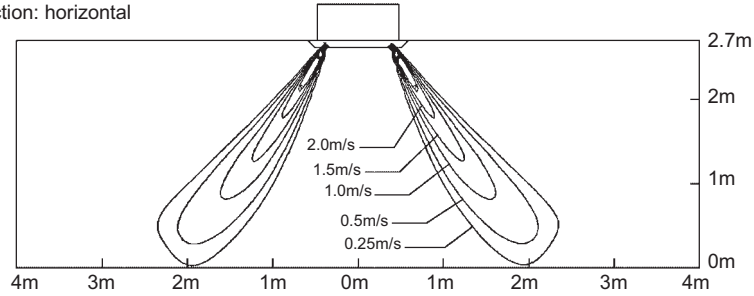
4D057228

9 Air flow pattern

FXFQ63P9

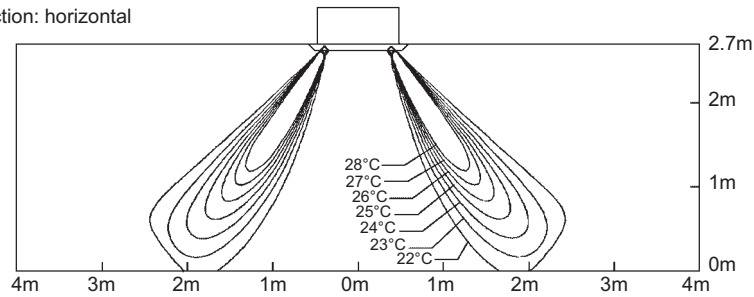
Heating air velocity distribution

All round air discharge, air flow direction: horizontal



Heating air temperature distribution

All round air discharge, air flow direction: horizontal

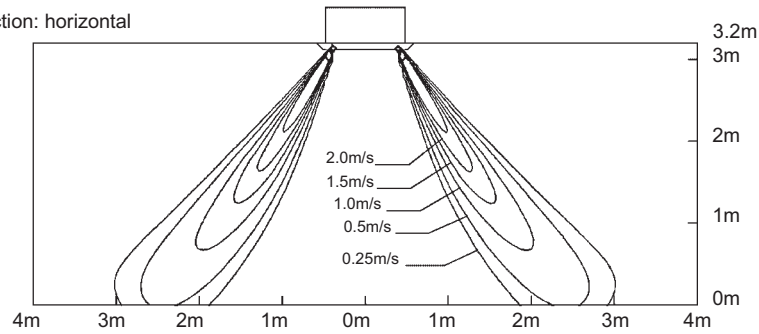


4D057230

FXFQ80P9

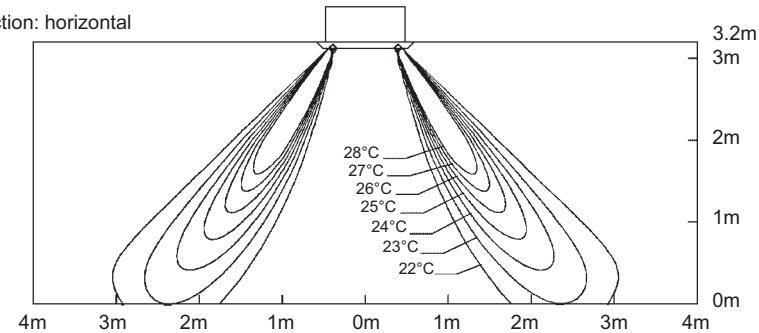
Heating air velocity distribution

All round air discharge, air flow direction: horizontal



Heating air temperature distribution

All round air discharge, air flow direction: horizontal



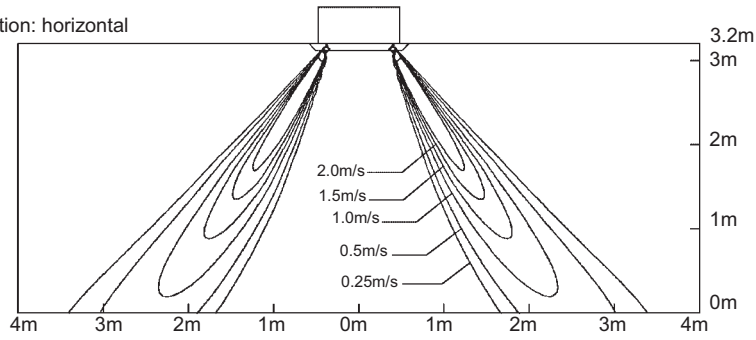
4D057232

9 Air flow pattern

FXFQ100P9

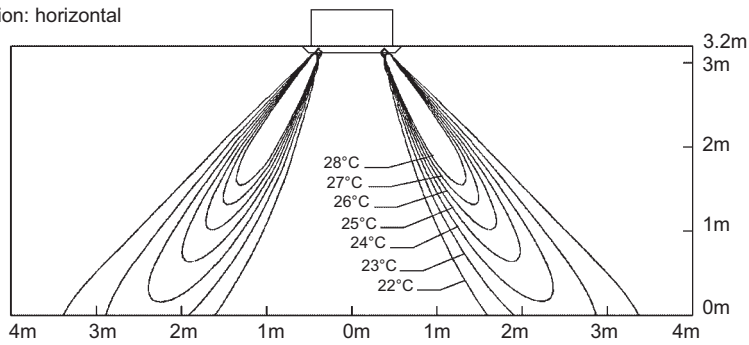
Heating air velocity distribution

All round air discharge, air flow direction: horizontal



Heating air velocity distribution

All round air discharge, air flow direction: horizontal

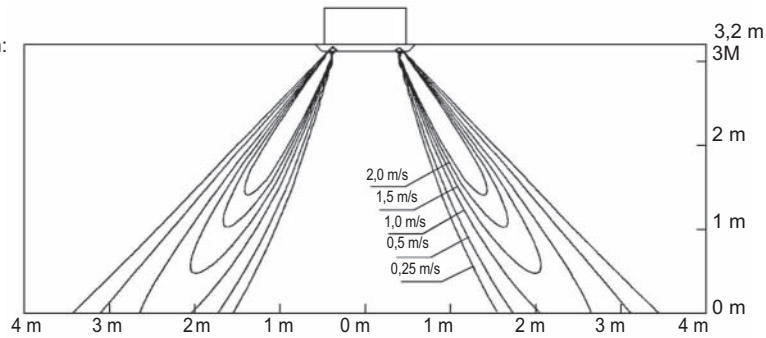


4D057234

FXFQ125P9

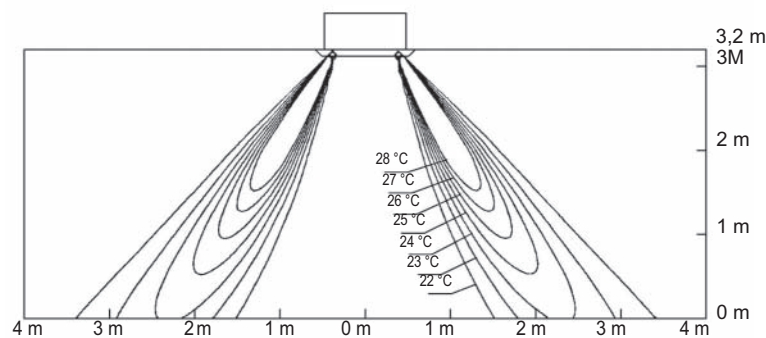
Heating air velocity distribution

All round air discharge, air flow direction: horizontal



Heating air temperature distribution

All round air discharge, air flow direction: horizontal



4D057236

In all of us,
a green heart



Daikin's unique position as a manufacturer of air conditioning equipment, compressors and refrigerants has led to its close involvement in environmental issues. For several years Daikin has had the intension to become a leader in the provision of products that have limited impact on the environment. This challenge demands the eco design and development of a wide range of products and an energy management system, resulting in energy conservation and a reduction of waste.



Daikin Europe N.V. is approved by LRQA for its Quality Management System in accordance with the ISO9001 standard. ISO9001 pertains to quality assurance regarding design, development, manufacturing as well as to services related to the product.



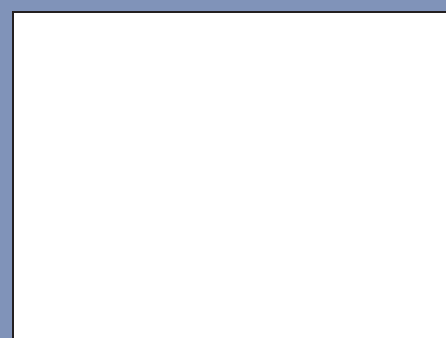
ISO14001 assures an effective environmental management system in order to help protect human health and the environment from the potential impact of our activities, products and services and to assist in maintaining and improving the quality of the environment.



Daikin units comply with the European regulations that guarantee the safety of the product.

VRV® products are not within the scope of the Eurovent certification programme.

The present publication is drawn up by way of information only and does not constitute an offer binding upon Daikin Europe N.V.. Daikin Europe N.V. has compiled the content of this publication to the best of its knowledge. No express or implied warranty is given for the completeness, accuracy, reliability or fitness for particular purpose of its content and the products and services presented therein. Specifications are subject to change without prior notice. Daikin Europe N.V. explicitly rejects any liability for any direct or indirect damage, in the broadest sense, arising from or related to the use and/or interpretation of this publication. All content is copyrighted by Daikin Europe N.V..



DAIKIN EUROPE N.V.

Naamloze Vennoetschap
Zandvoordestraat 300
B-8400 Oostende, Belgium
www.daikin.eu
BTW: BE 0412 120 336
RPR Oostende