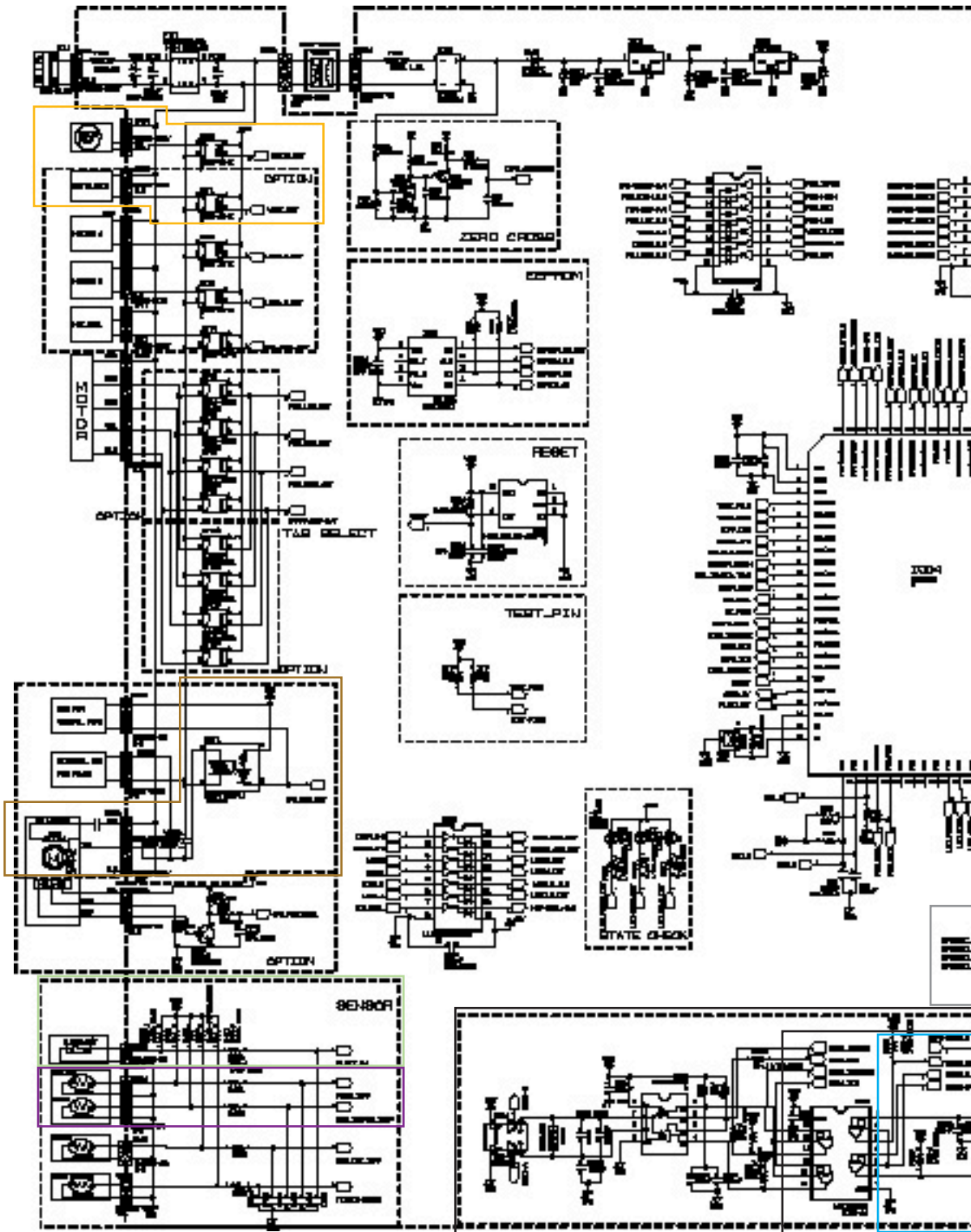


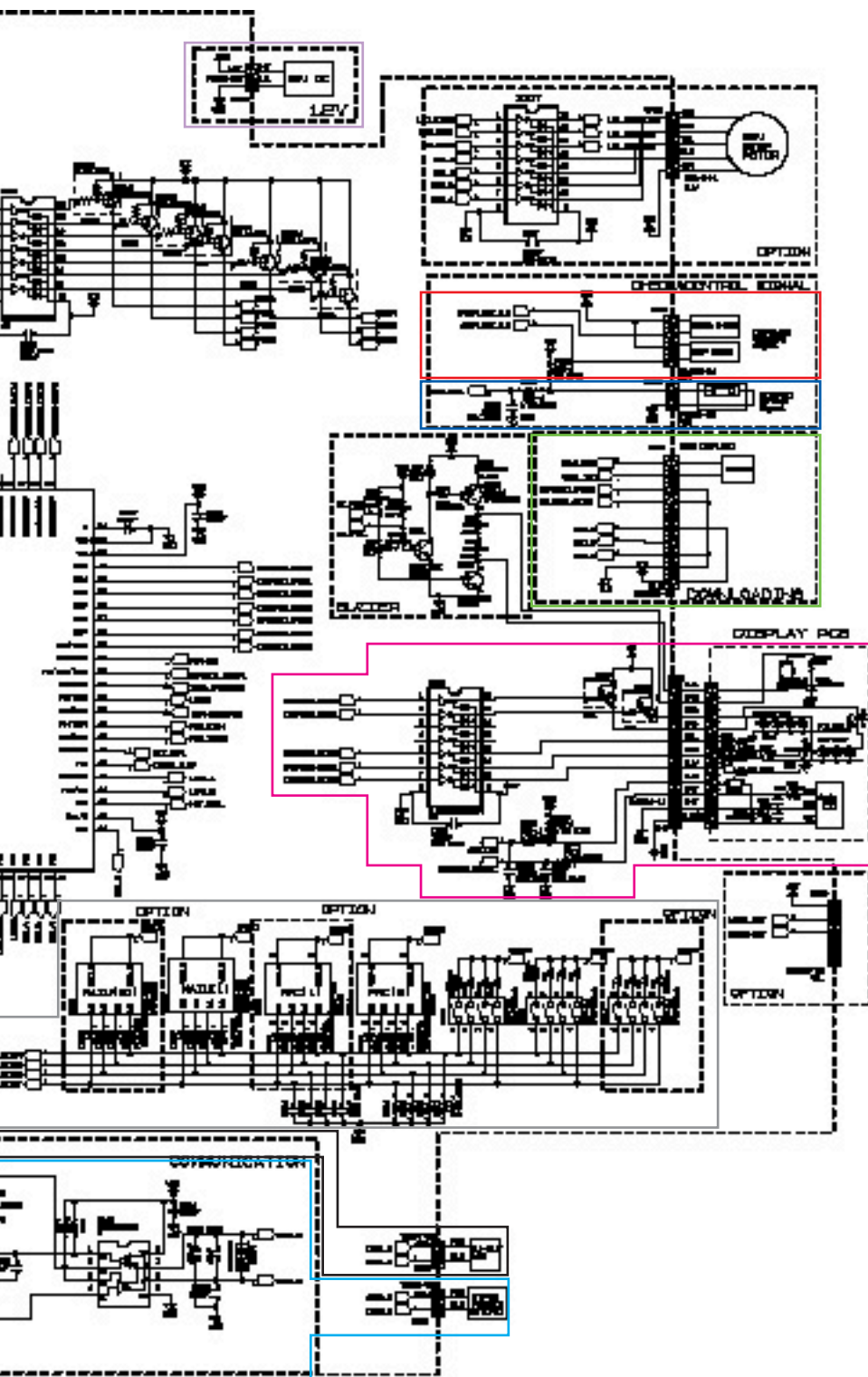
# 9. Circuit Descriptions

## 9-1 PCB Circuit Descriptions

### 9-1-1 Indoor Unit



This Document can not be used v

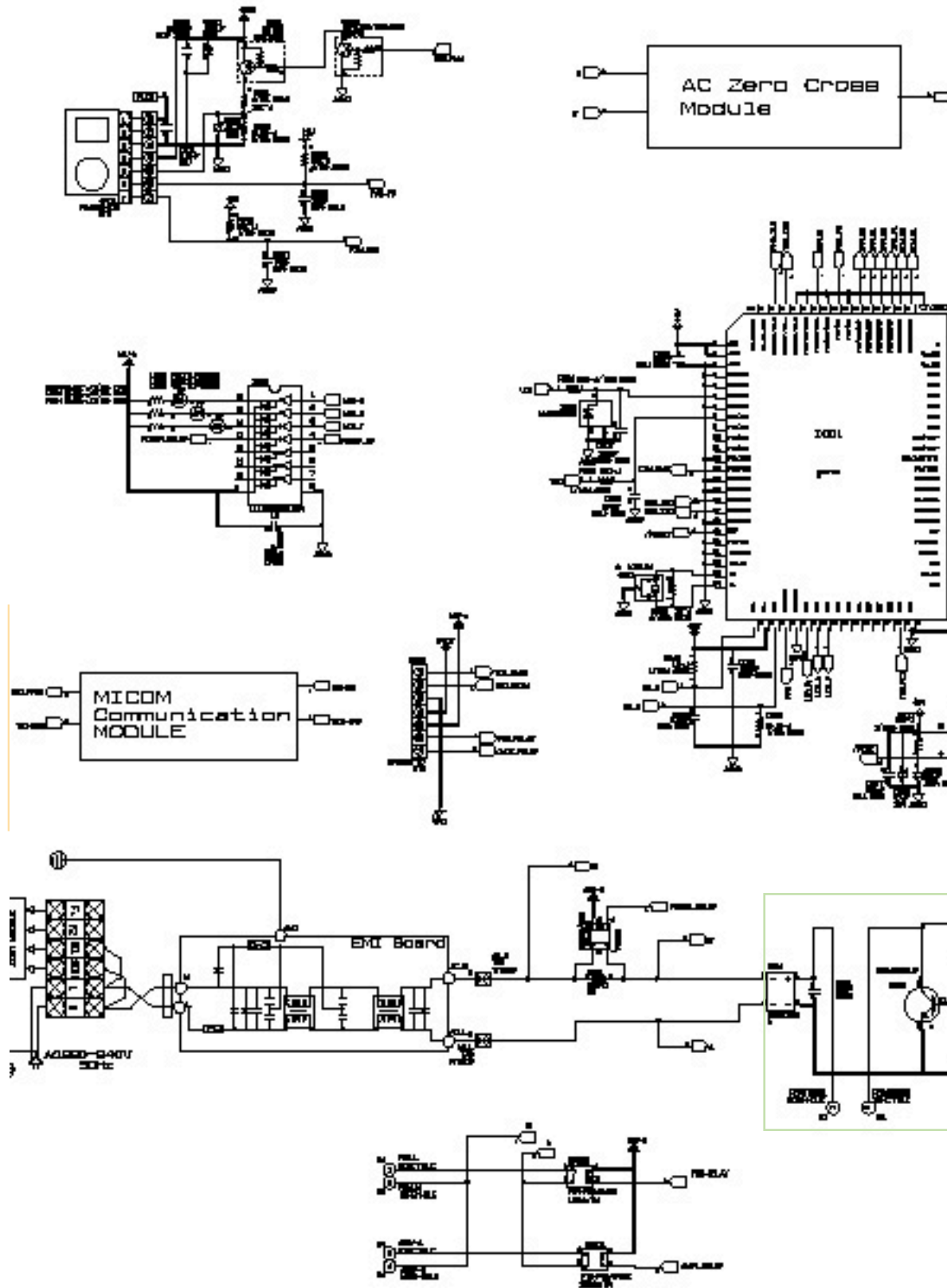


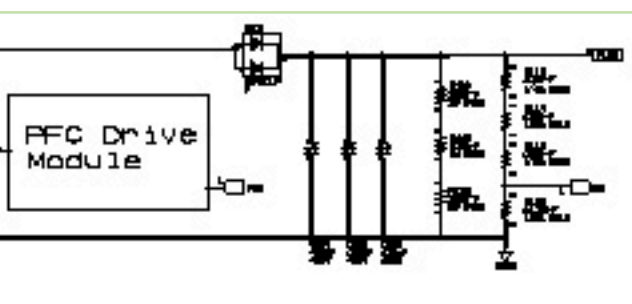
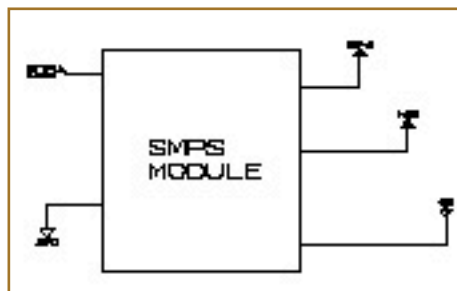
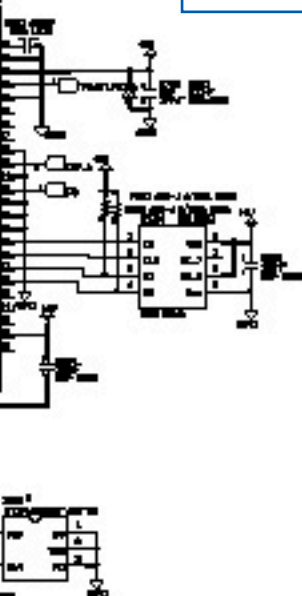
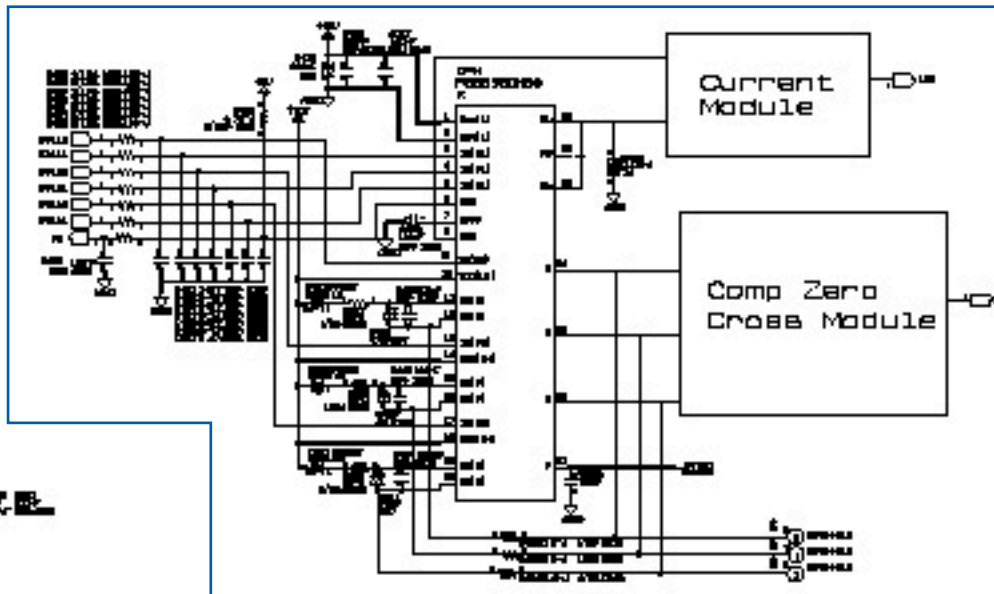
- Drain-pump, Ventilator
- Indoor Fan Part(SSR)
- External Control Out
- External Control In
- Wired Remote Controller Power(12V)
- 485 Communication Part(F1/F2)
- 485 Communication Part(F3/F4)
- Temperature Sensor Part  
- Room Temperature  
- Eva. In Temperature
- Micom download
- Display Part
- Option & Address Set S/W
- Floating S/W

without Samsung's authorization.

### 9-1-2 Outdoor Unit((UH035EAV1)

#### ■ Inverter



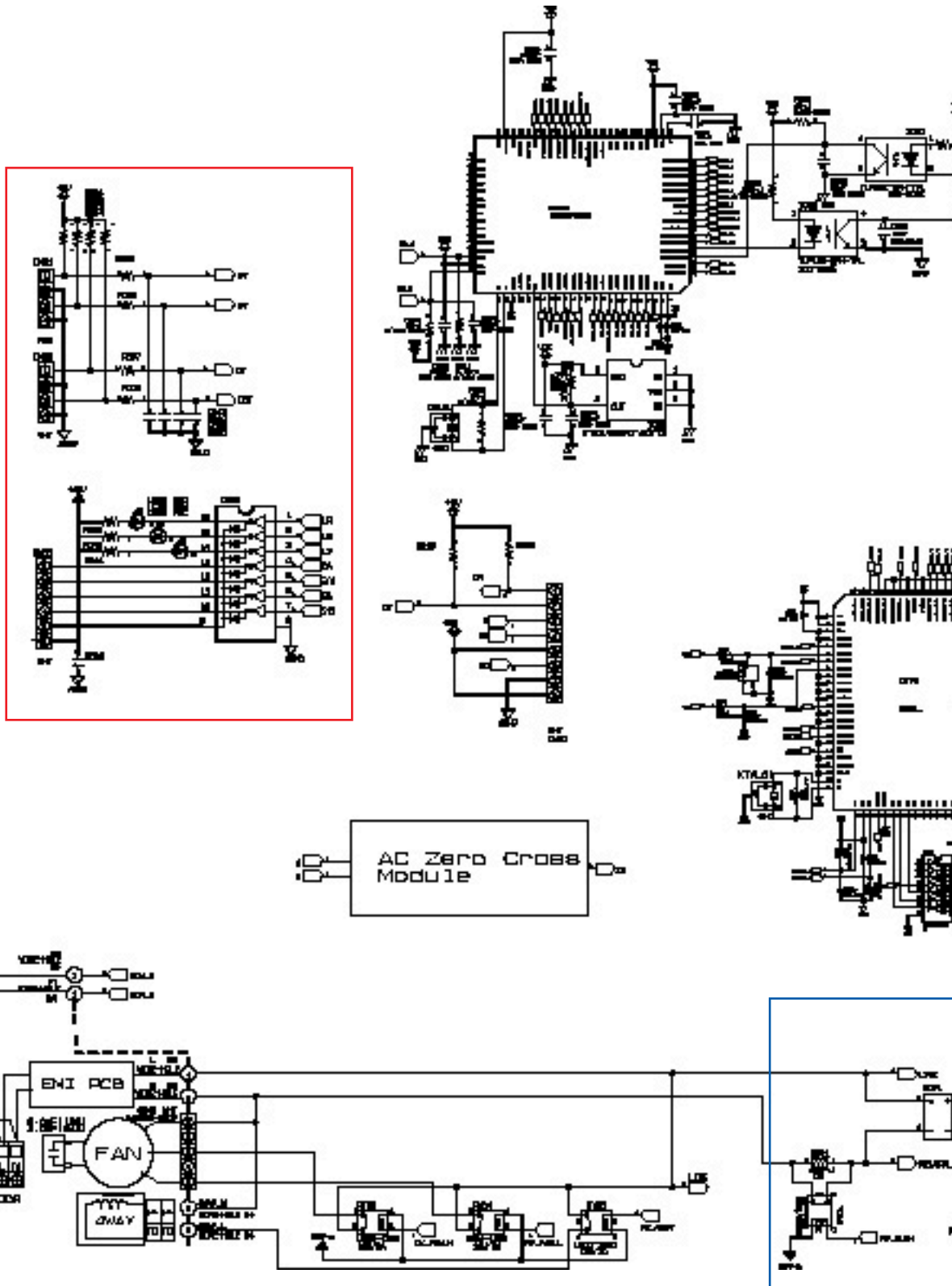


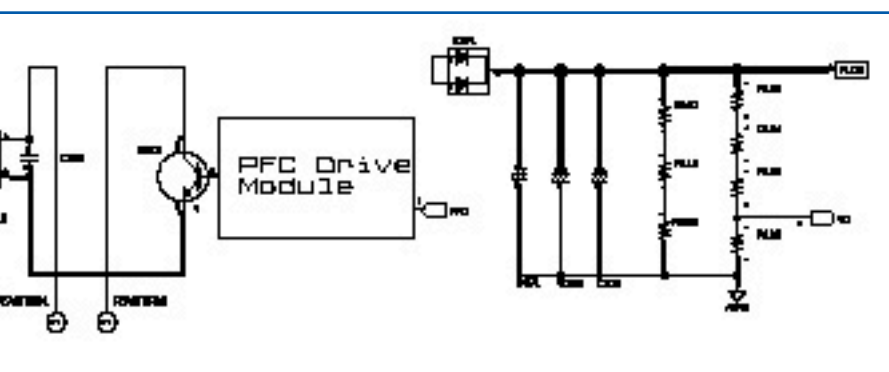
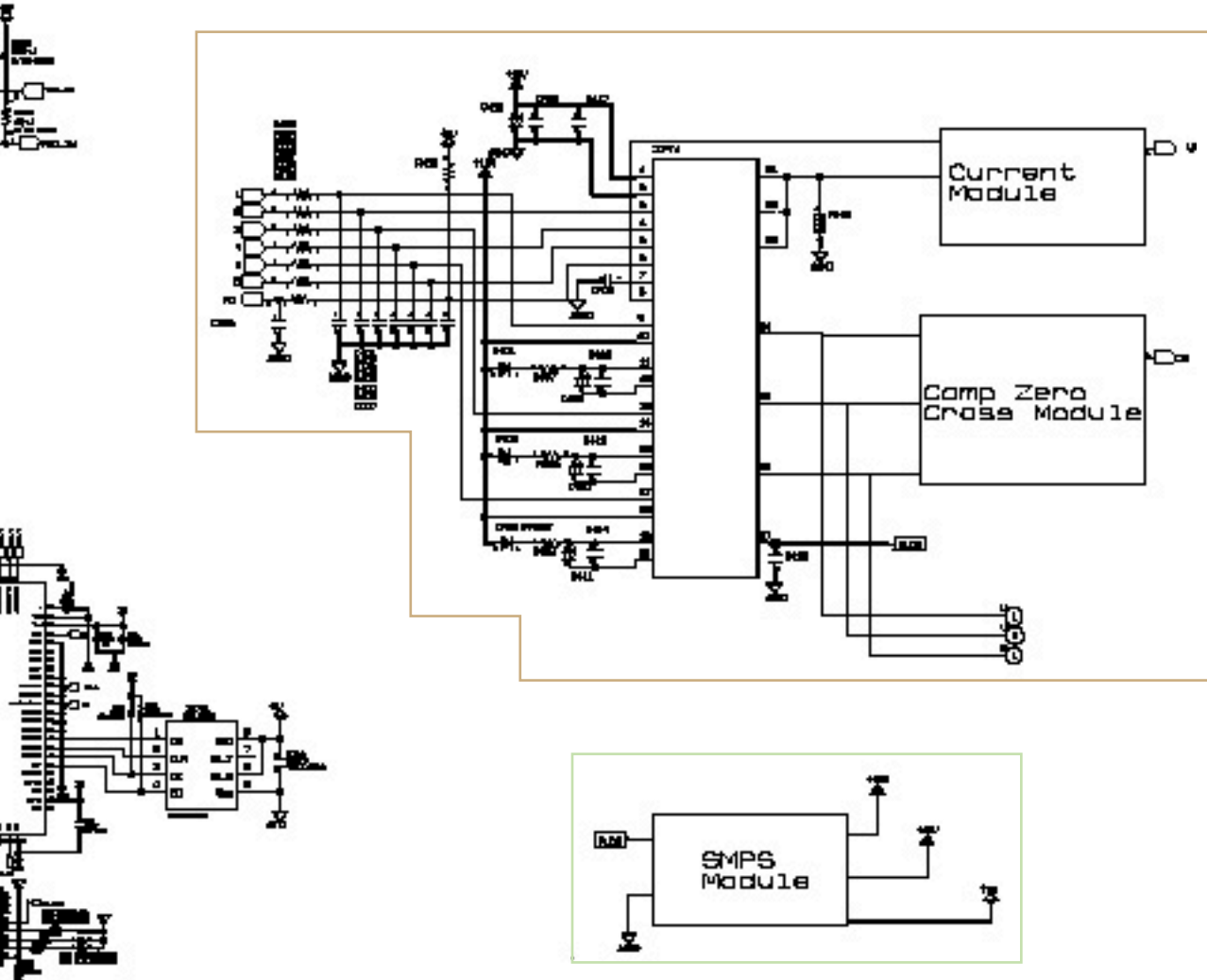






### 9-1-3 Outdoor Unit(UH052EAV1/UH070EAV1)





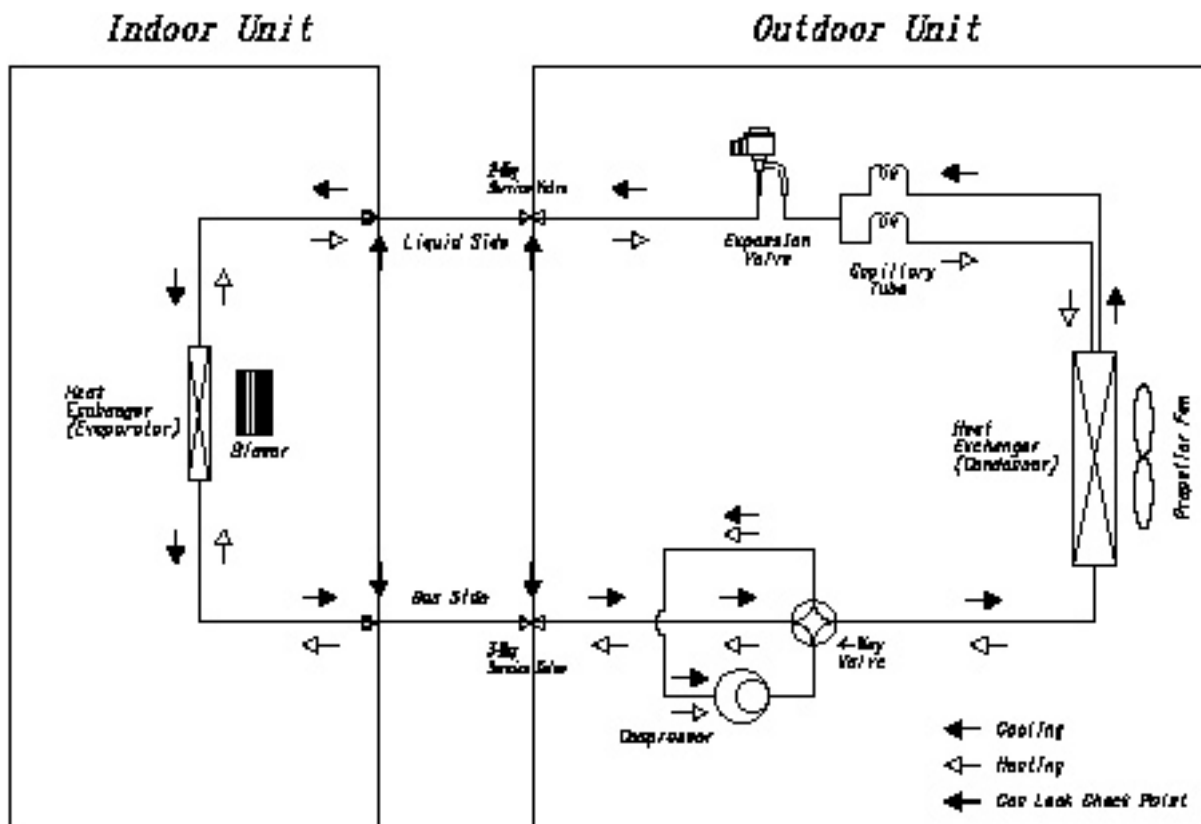
- TEMPERATURE SENSOR & EEV
- PFC
- SMPS
- INVERTER

without Samsung's authorization.



## 9-2 Refrigerating Cycle Diagram

### ■ EH035EAV1/UH035EAV1



■ EH052EAV1/UH052EAV1,EH070EAV1/UH070EAV1

