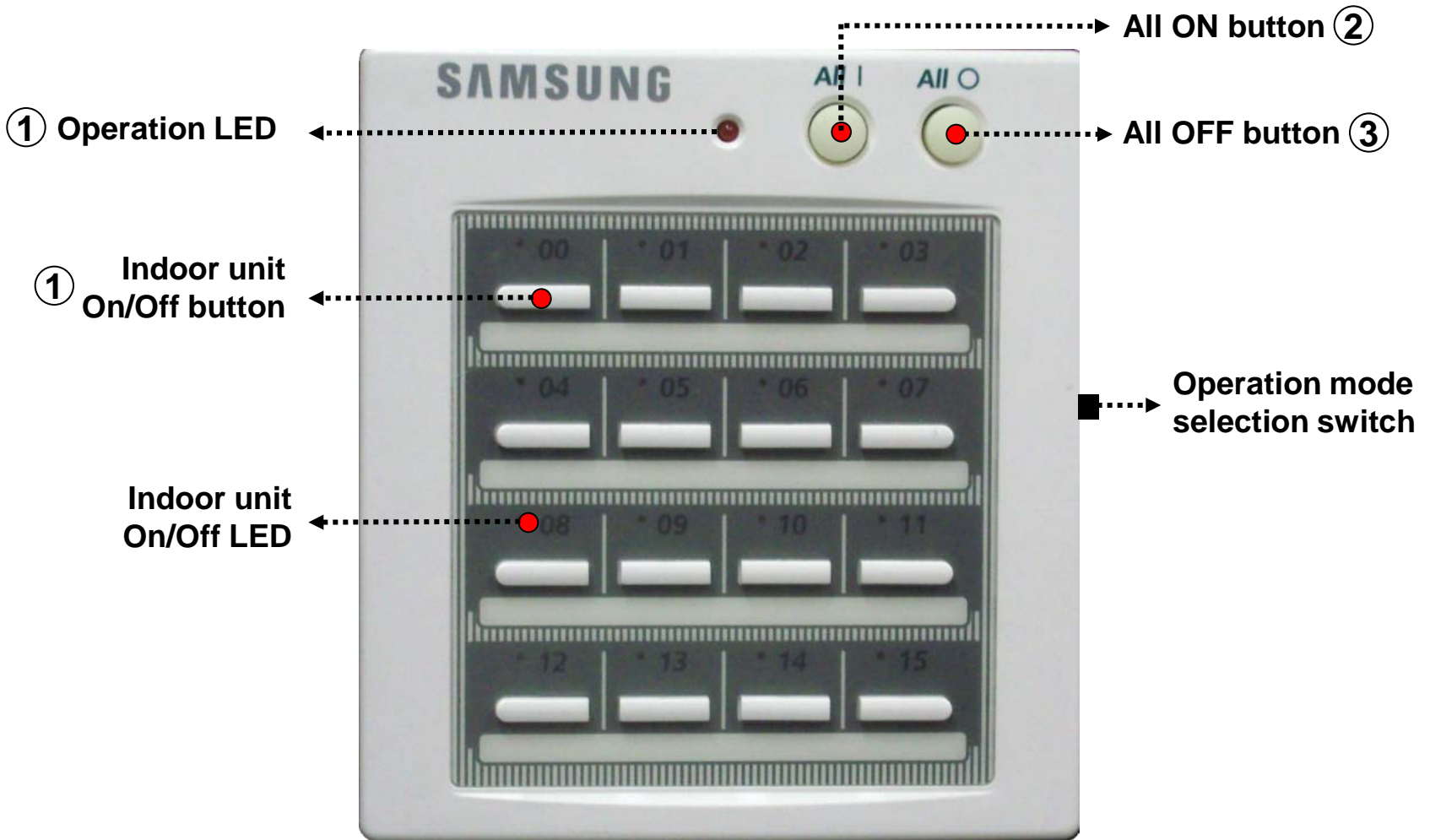


# On/Off controller



**MCM-A202B**

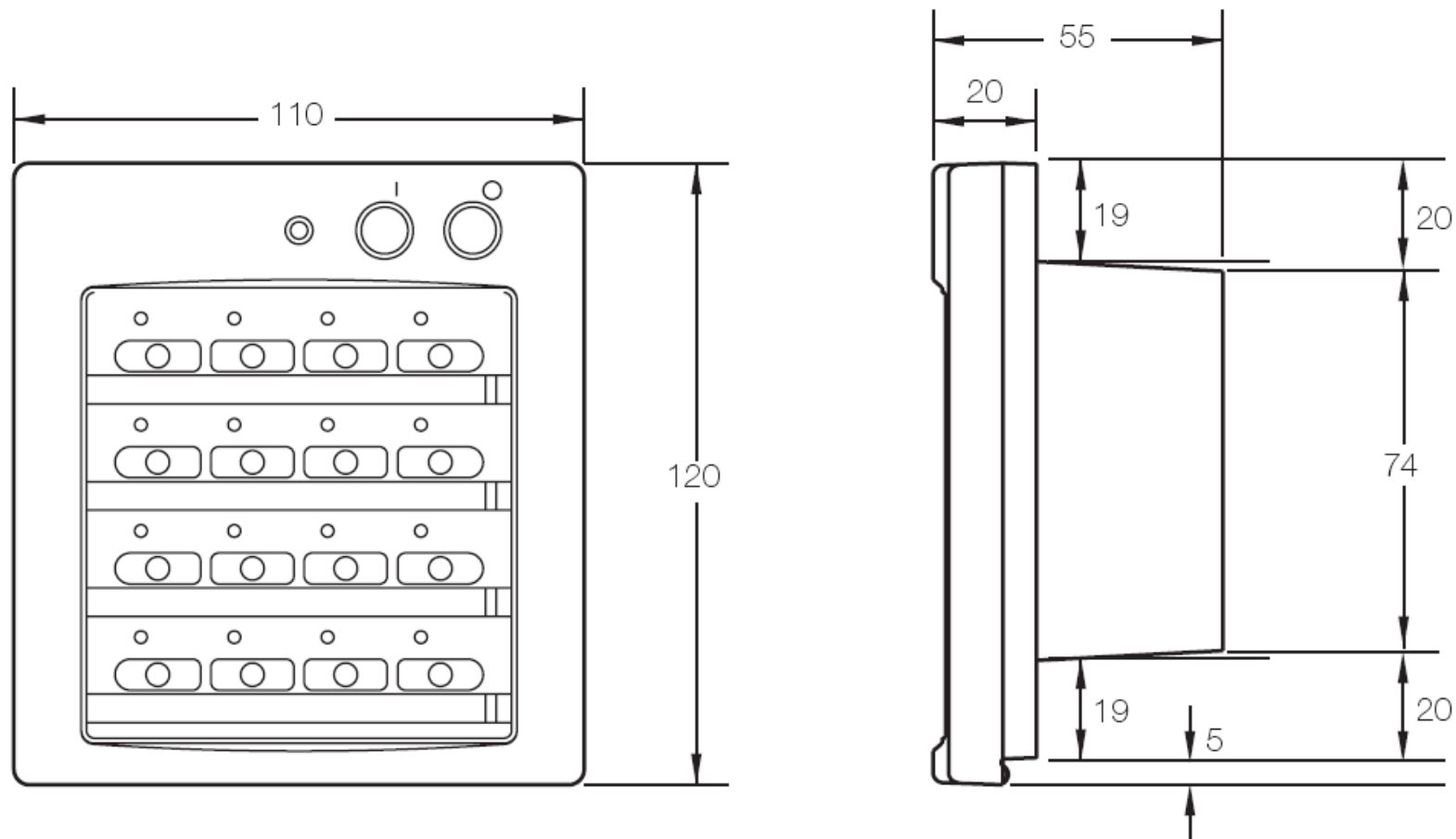
## - MCM-A202B



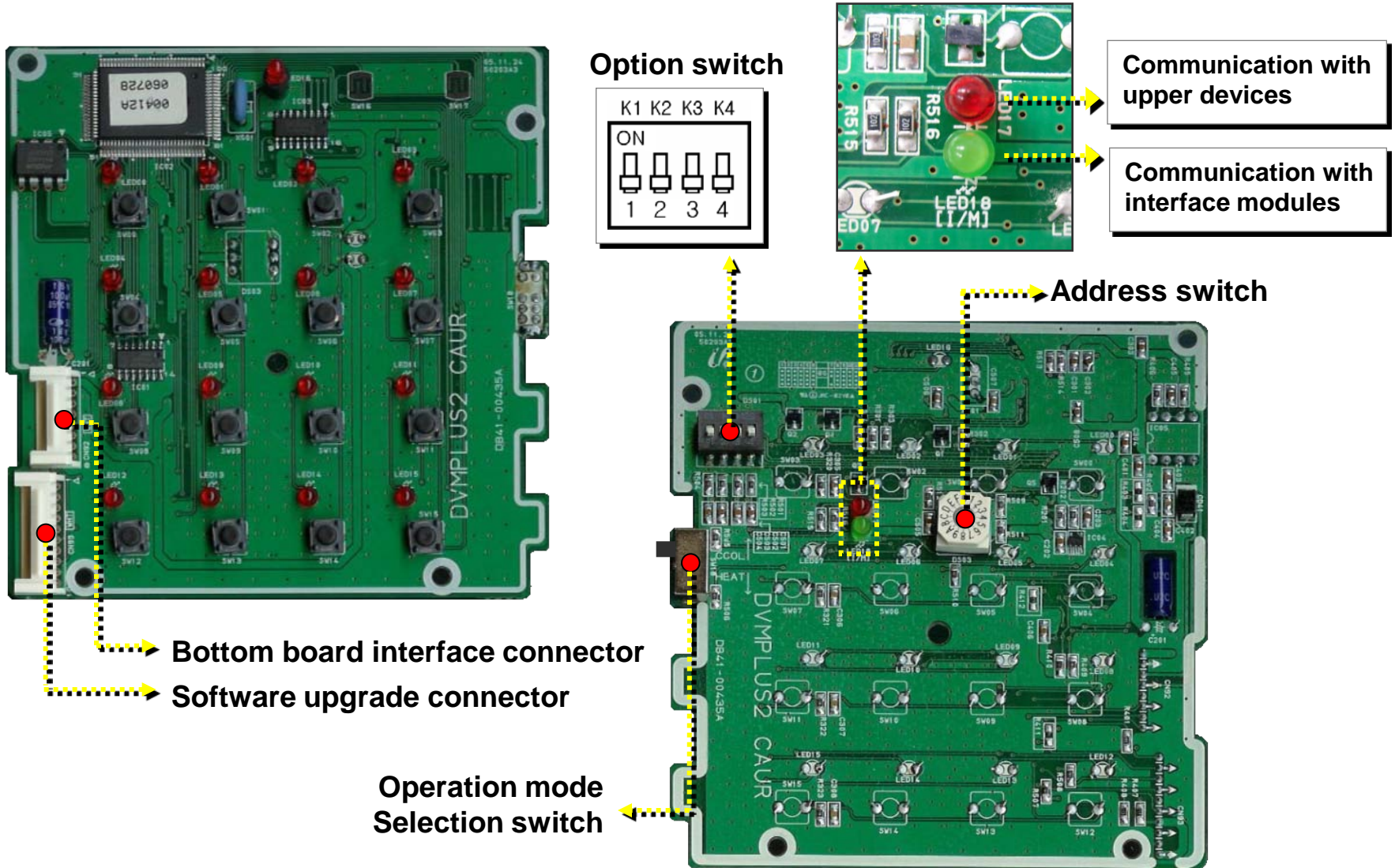
## - Button/Switch/LED

No	Name	Description
1	Operation LED	It lights on when more than one indoor unit operate. It flickers during indoor unit tracking process after power reset.
2	All ON button	Press All ON button to turn on all the indoor units. It is also used to prohibit use of wired/wireless remote controllers for indoor units under Level 3. It is mainly used to toggle remote controller use dynamically.
3	All OFF button	Press All OFF button to turn off all the indoor units.
4	indoor unit On/Off LED	It lights on when its equivalent indoor unit operates. It also flickers when the indoor unit has an error.
5	Indoor unit On/Off button	Press each indoor unit button to control the equivalent unit operation.
6	Operation mode selection switch	Set operation mode selection switch to a certain mode and press indoor unit control button to control operation mode. Whenever pressing any button on the controller, set operation mode is delivered to the indoor unit.

## - Dimensions



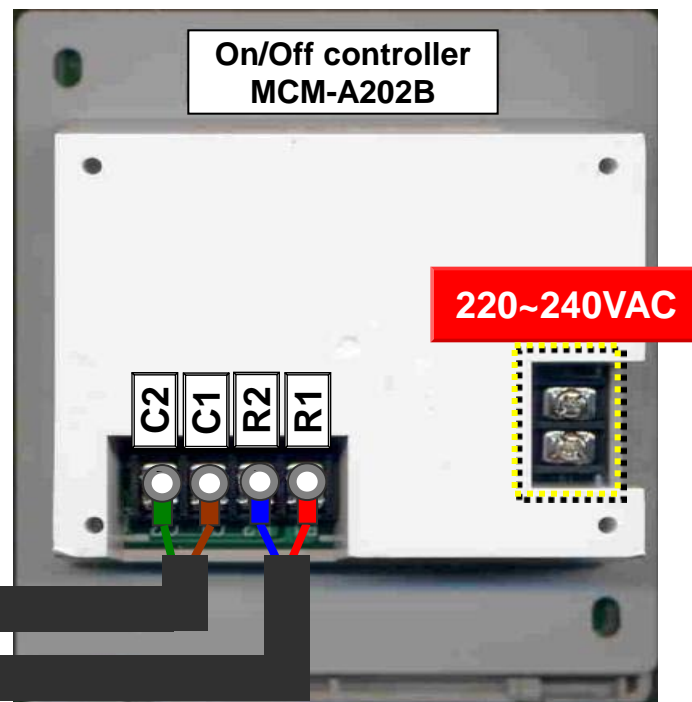
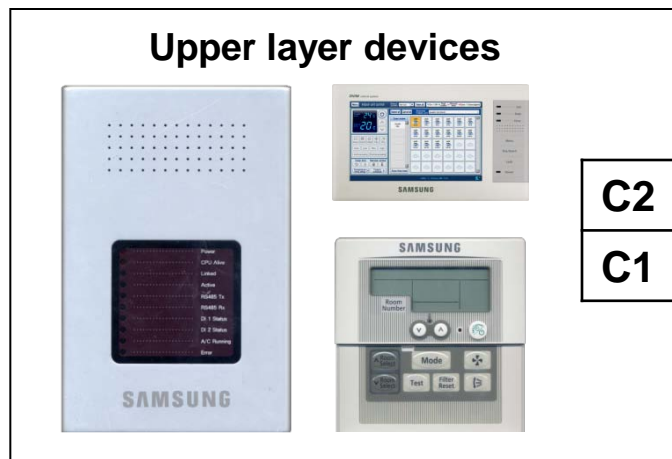
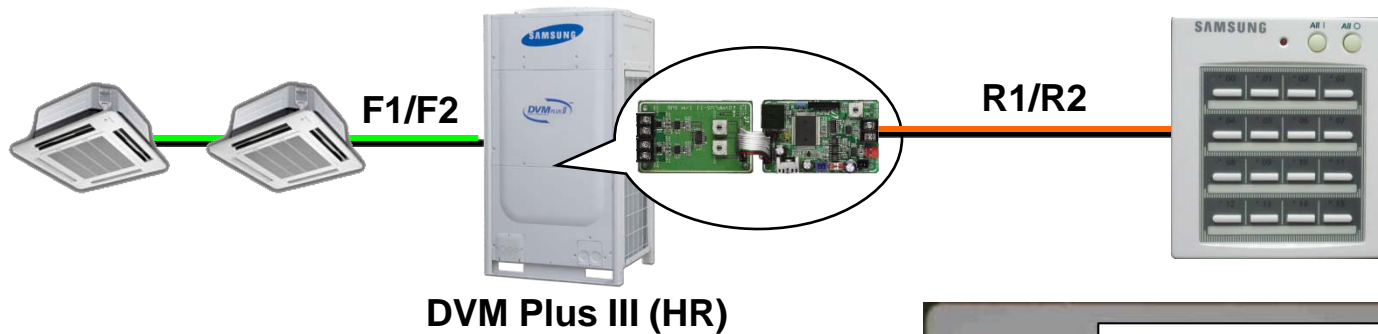
## - MCM-A202B



## - Option switch

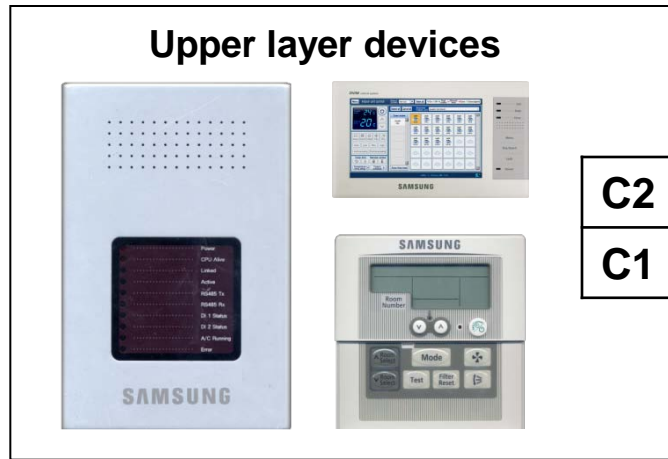
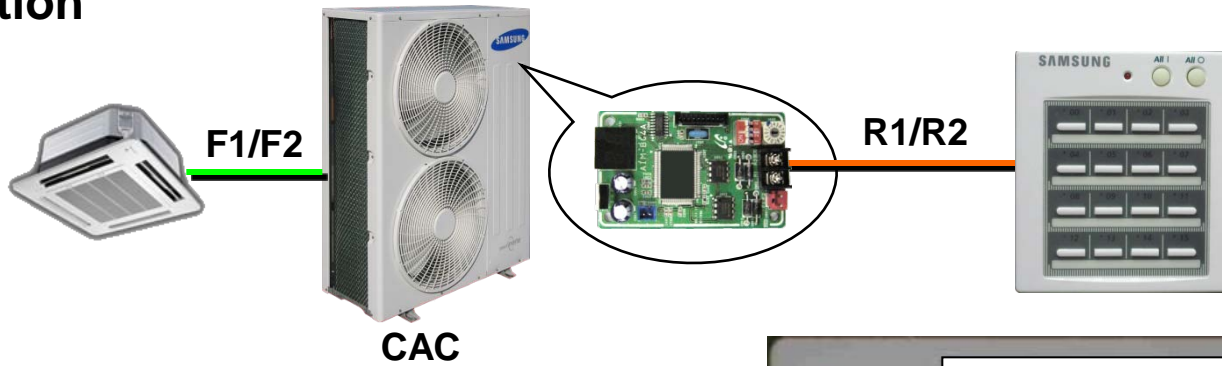
DIP SW		Function
<b>K1</b>	<b>K2</b>	Restriction setting on wired/wireless remote controller use
OFF	OFF	Wired/Wireless remote controller use is allowed all the time. Level0
ON	OFF	Wired/Wireless remote controller use is allowed only if indoor unit is ON by the centralized controller. When indoor units are OFF by the centralized controller, remote controller use is prohibited. Level1
OFF	ON	Wired/Wireless remote controller use is prohibited. Level2
ON	ON	Dynamic switching of remote controller use between 'Allowed' and 'Prohibited' by using All ON button.
<b>K3</b>		Registration (Tracking) mode OFF : Group mode (indoor unit control with the RMC address) ON : Room mode (indoor unit control with the MAIN address) Note - Button control is allowed under the Group mode, and not under the Room mode on the condition that K4 is set to OFF.
<b>K4</b>		Upper controller compatibility setting OFF : DMS or S-NET mini ON : Function controller, S-NET2+ or 7-Day scheduler

## - Installation

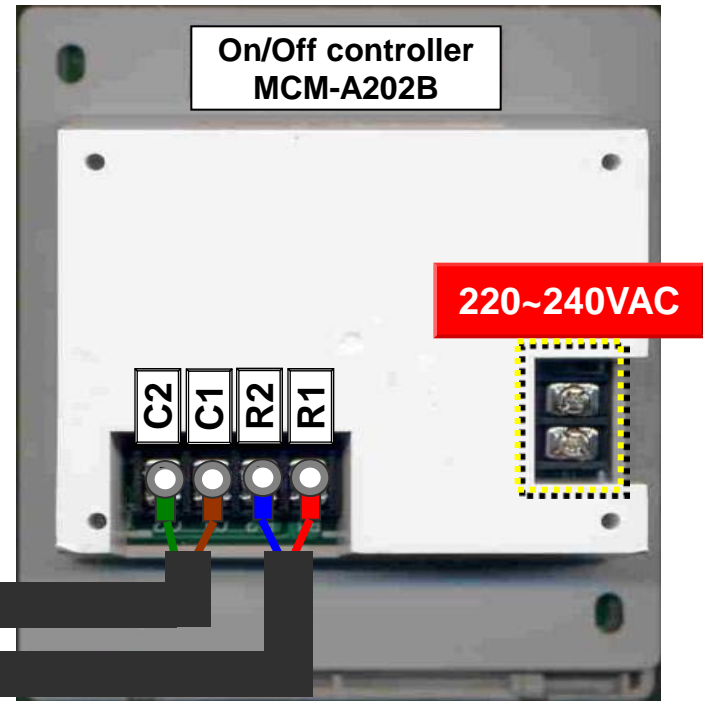
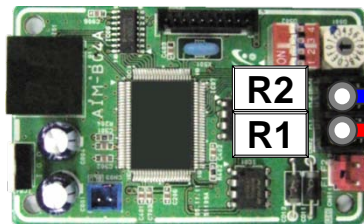


Rear view of MCM-A202B

## - Installation



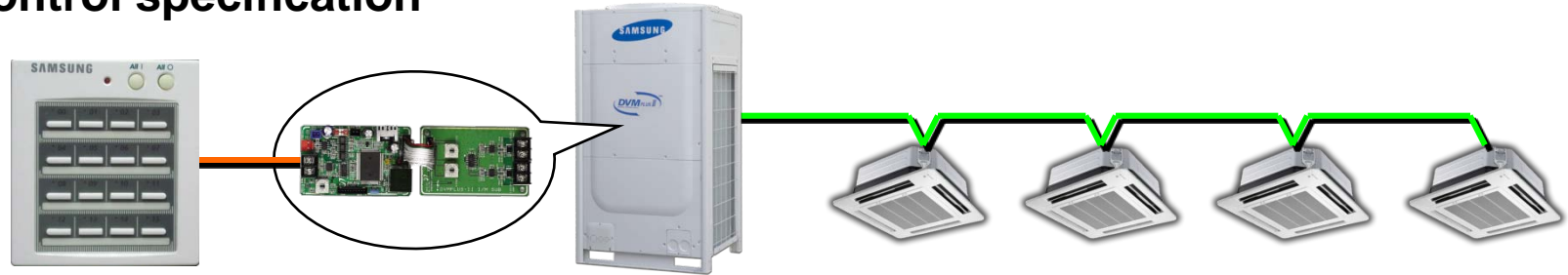
**MIM-B04A**



**Rear view of MCM-A202B**

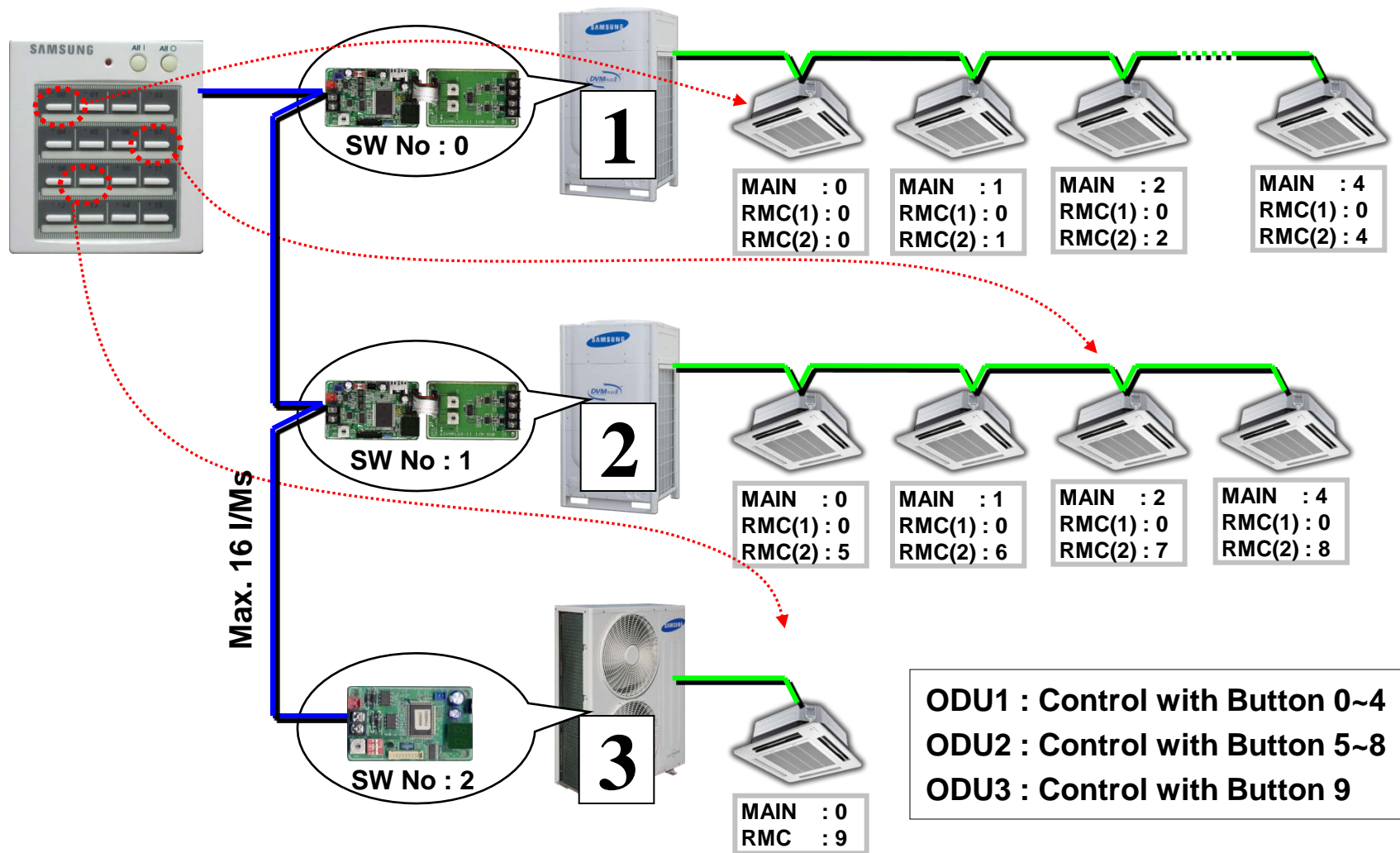


## - Control specification



Switch setting	Control	Monitoring	Upper device
	Indoor unit control with its RMC address	ON/OFF state display depending on its RMC address	DMS S-NET mini
		All on LED → ON	DMS S-NET mini
	Indoor unit control with its RMC address	ON/OFF state display depending on its RMC address	Function controller

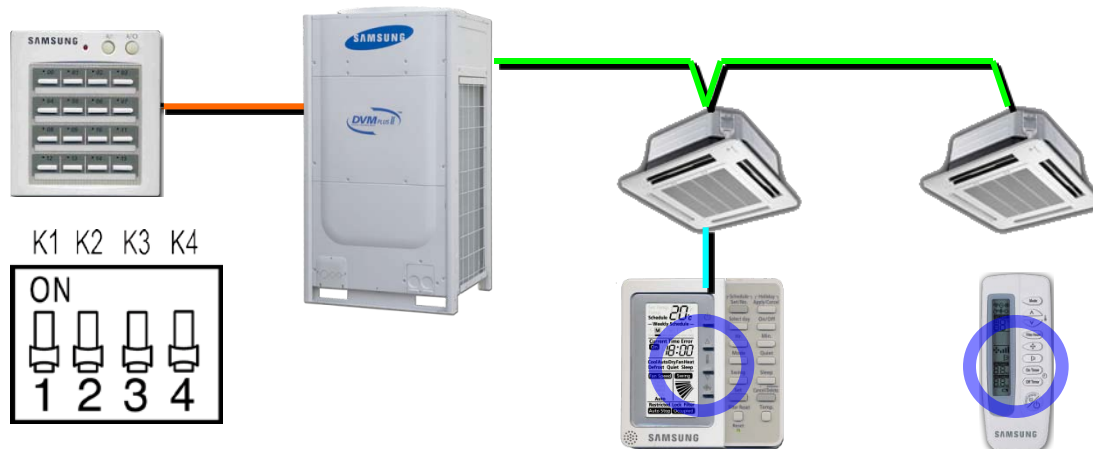
## - Control example



## - Control restriction

### LEVEL 0

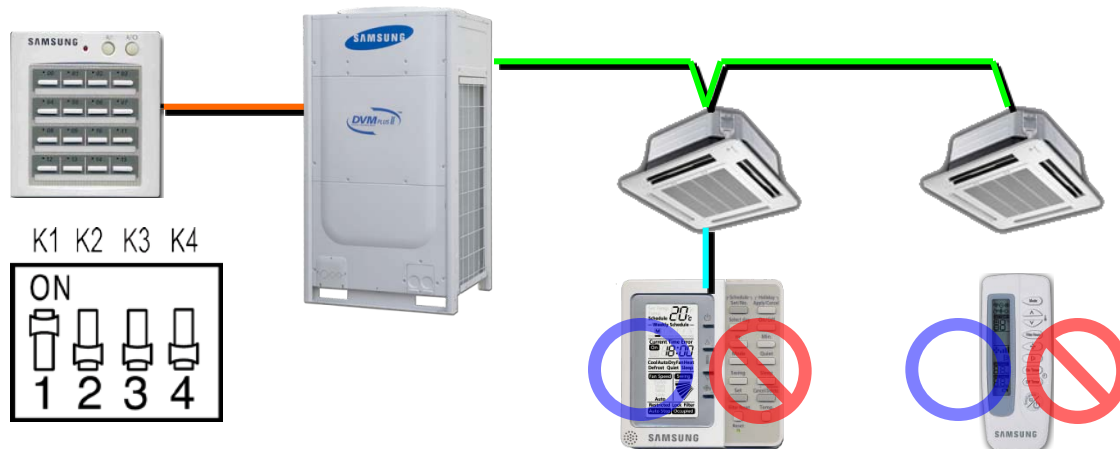
'Allowed' remote control



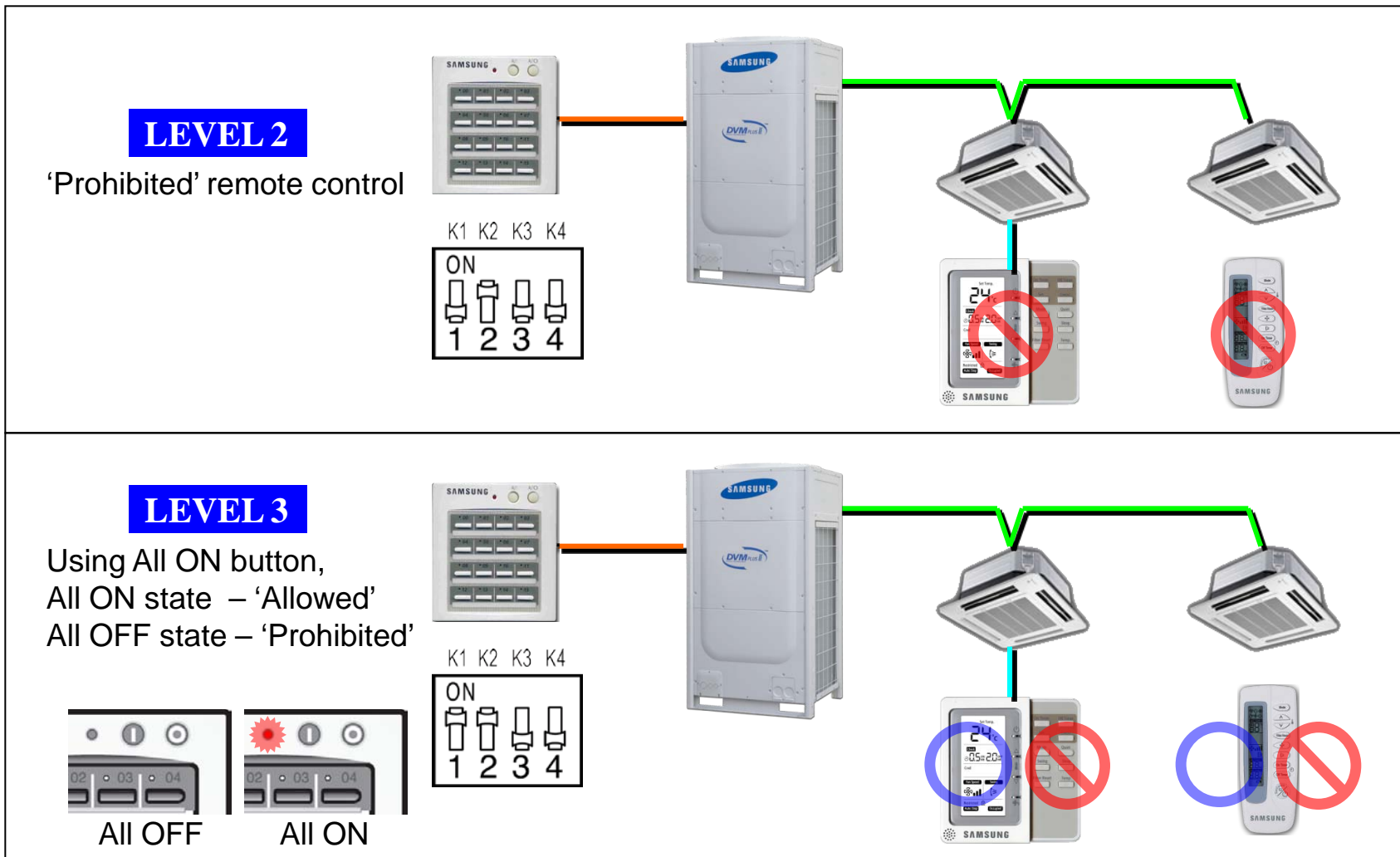
### LEVEL 1

Turned on by the centralized controller – 'Allowed'

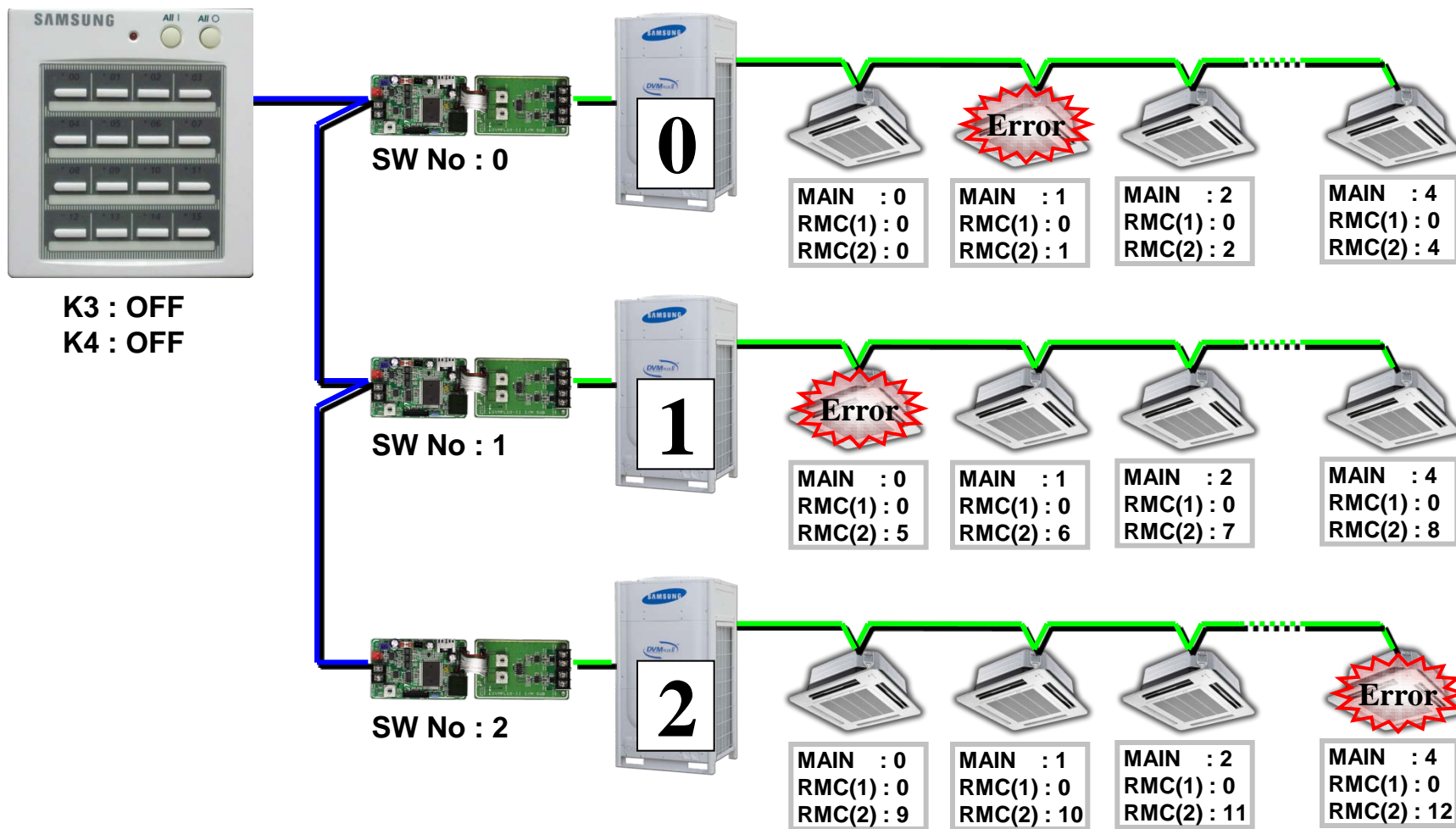
Turned off by the centralized controller – 'Prohibited'



## - Control restriction

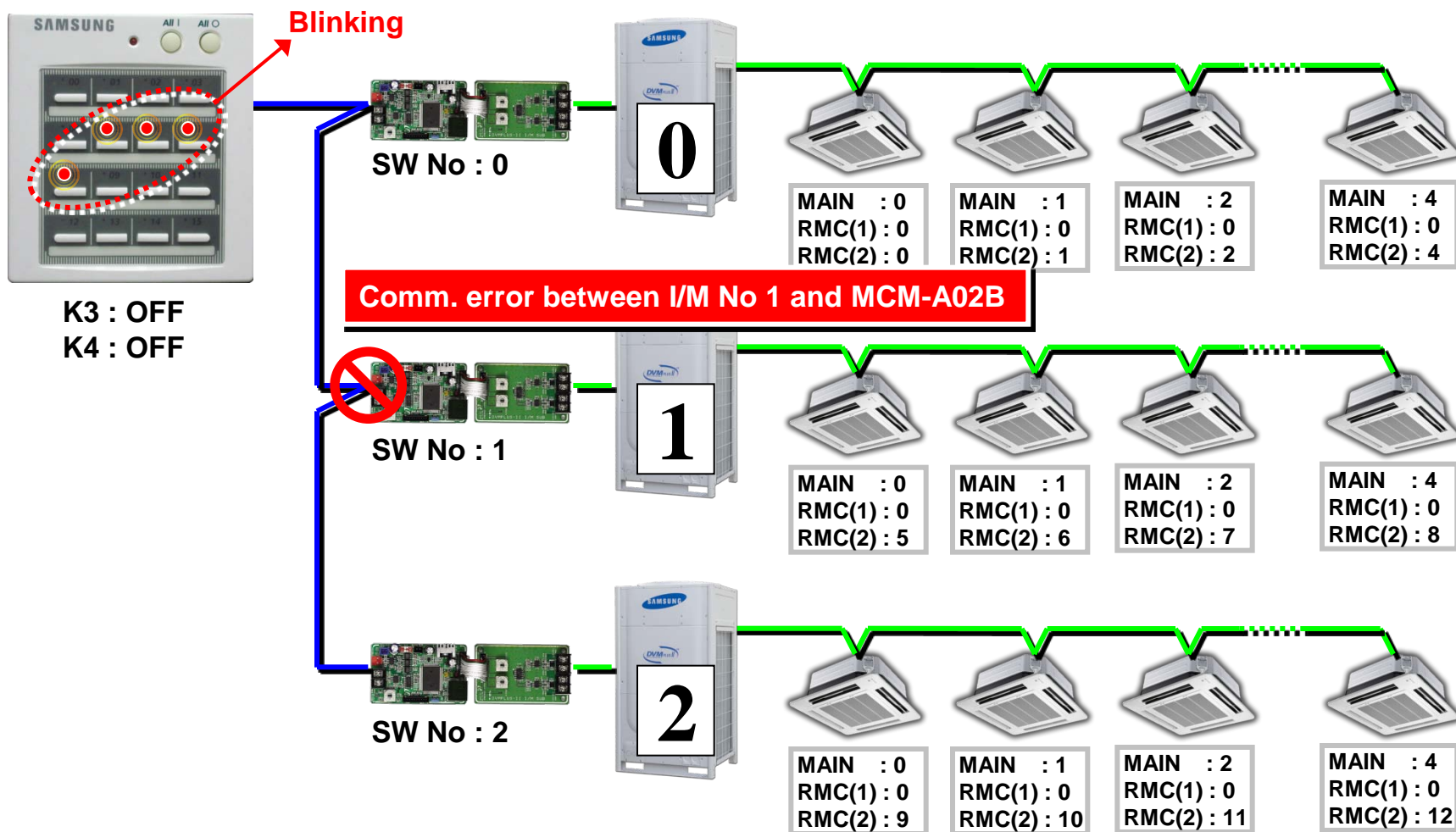


## - Error display



**NOTE : Errors in individual indoor units are not shown on MCM-A202B.**

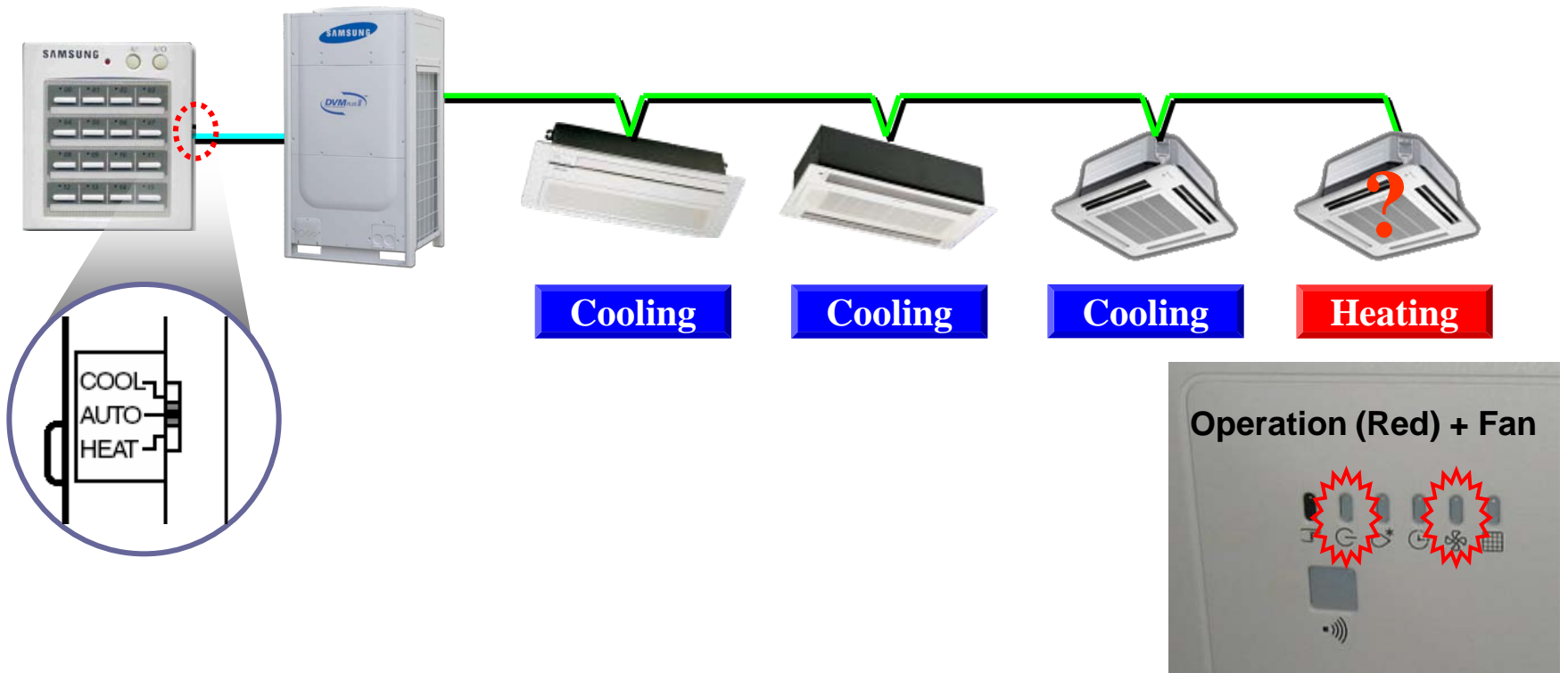
## - Error display



**NOTE : Communication error between an I/M and MCM-A202B triggers LED blinking of all the indoor units in the I/M**

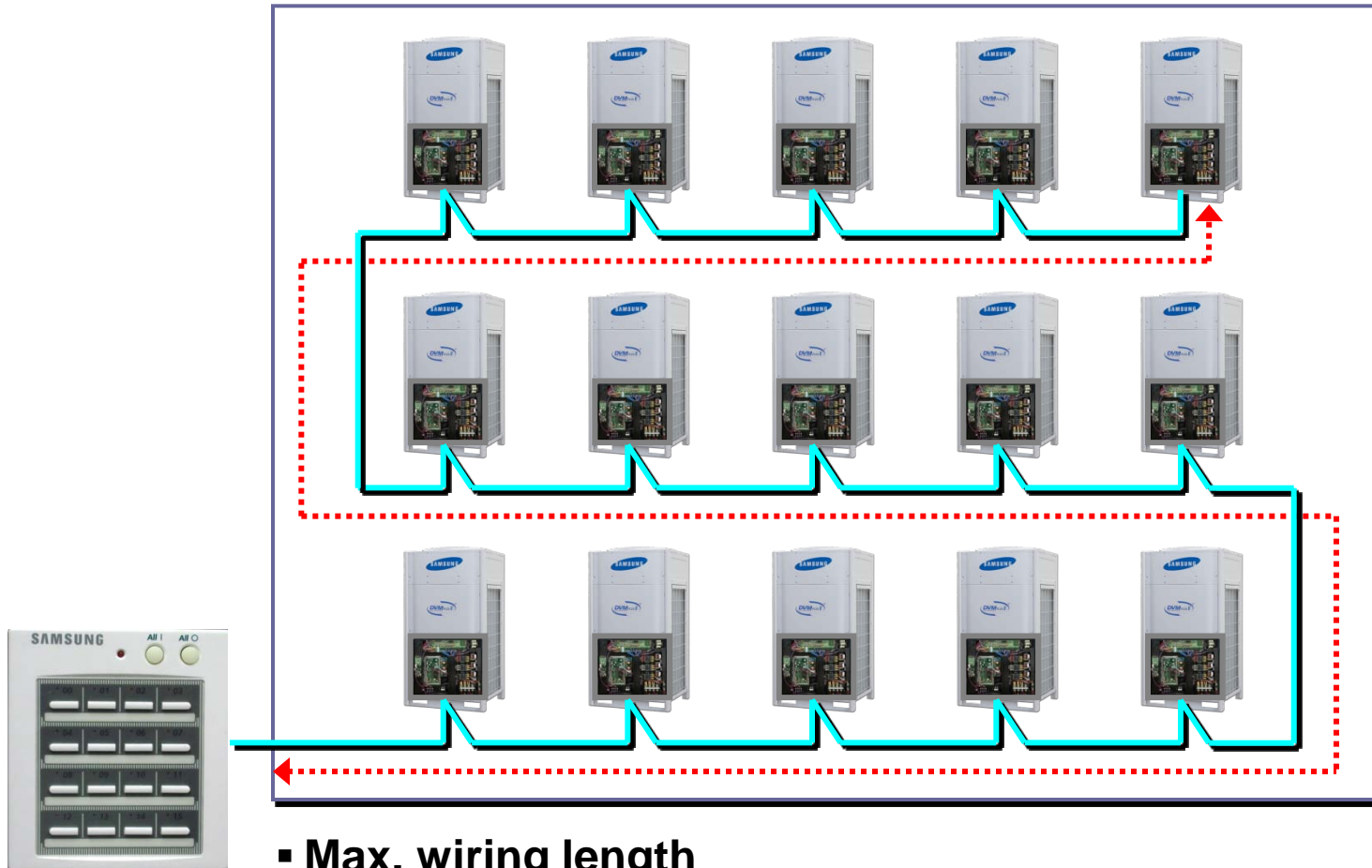
## - Operation mode setting switch

- Operation mode setting to Heating, Cooling or Auto (or to remove mixed mode warning)



1. Select the desired operation mode
2. Press All ON/OFF or each group button to run indoor units under the selected mode

## - Wiring length



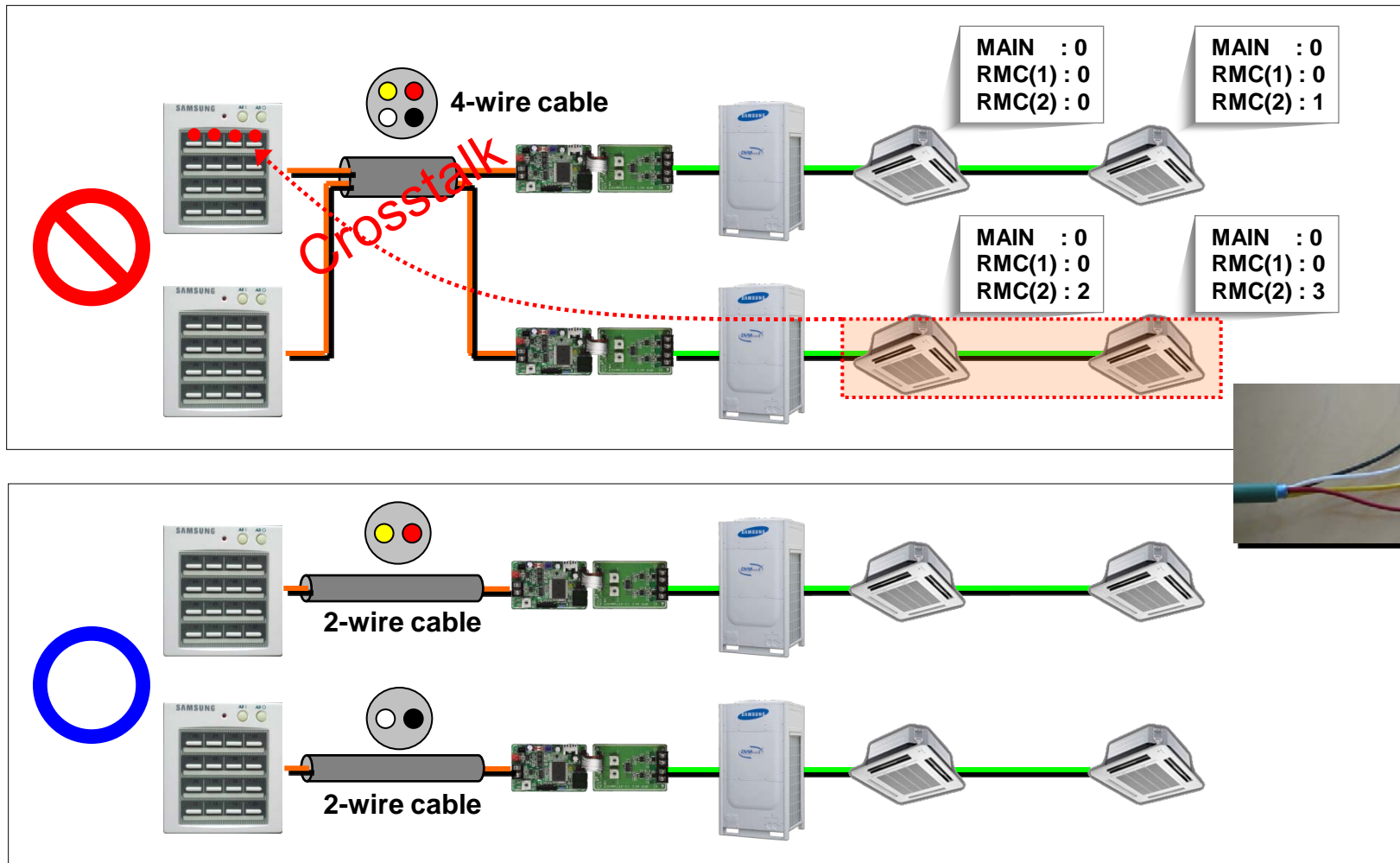
### ▪ Max. wiring length

- 1000m between the centralized controller to the most remote interface module
- (1.5mm<sup>2</sup>, unshielded VCTF/CVV 2P or equivalent)
- Non-polarity

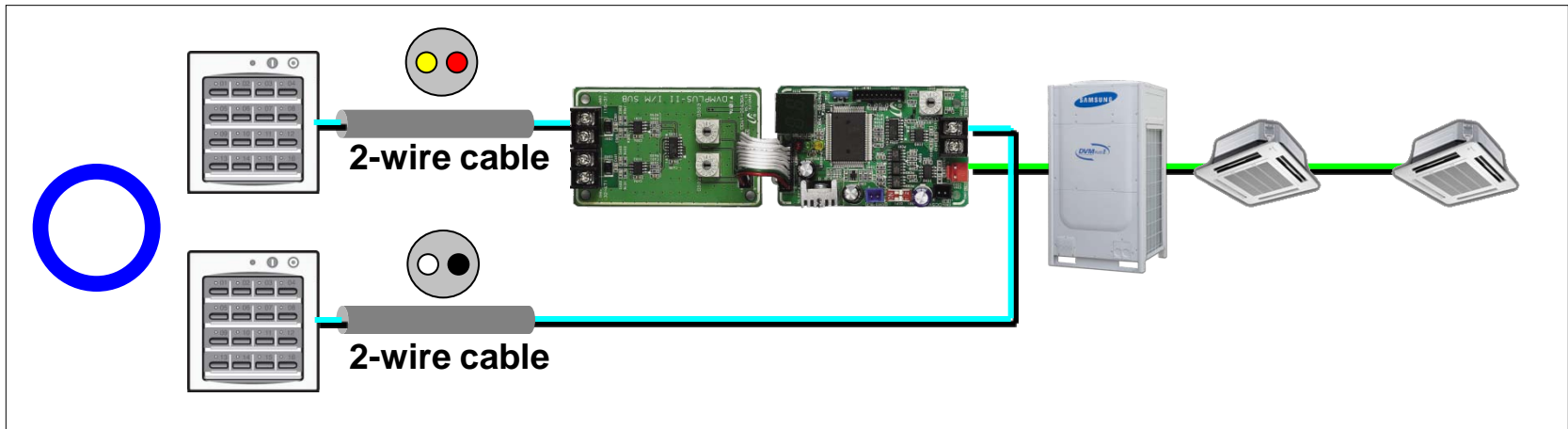
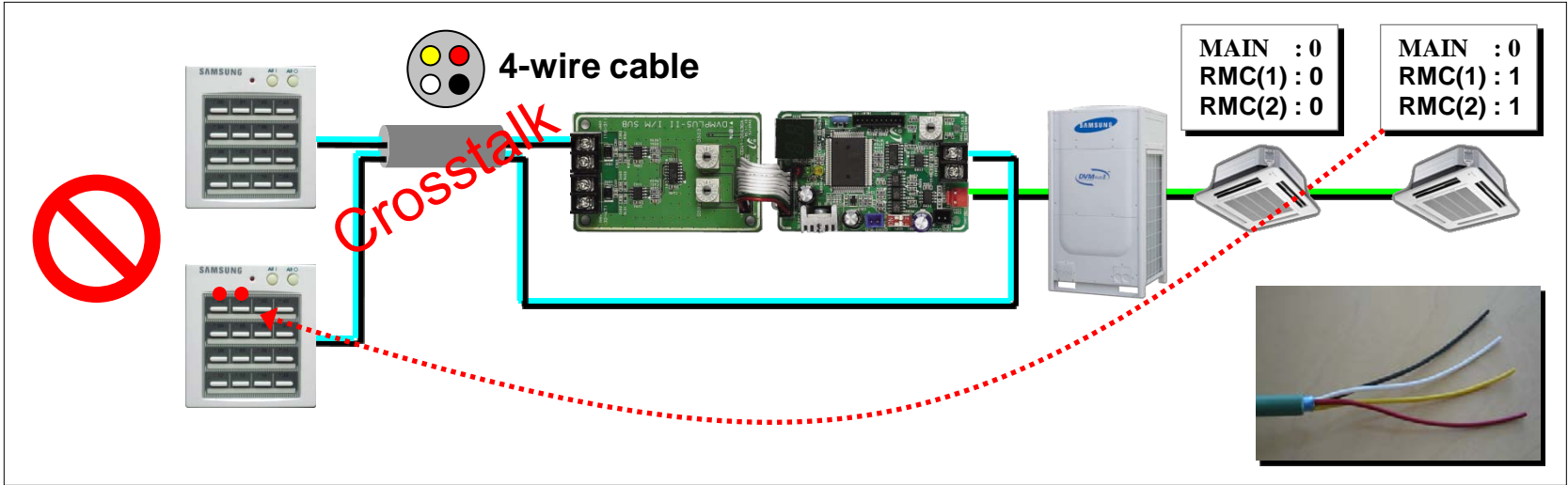


## - Caution on communication wire

Each connection between the centralized controller and the interface modules must be made using the separate communication wires to prevent crosstalk interference.

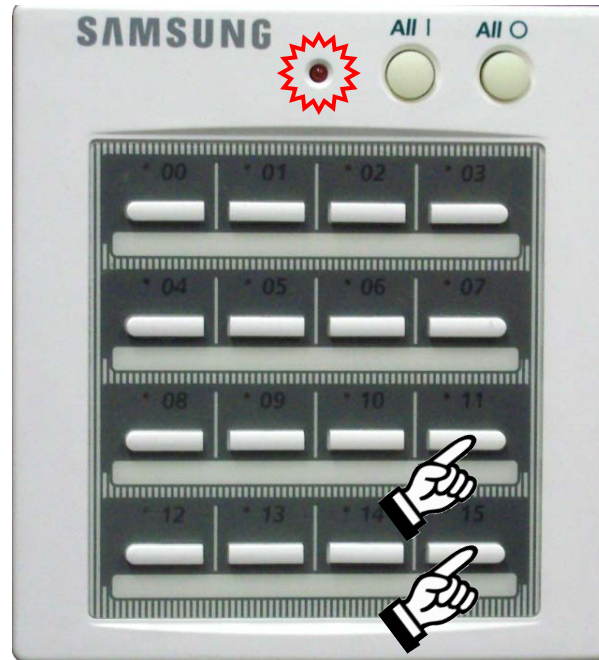


## - Caution on communication wire



## - MCM-A202B restart

- No need to turn power OFF and ON again to restart.
- Press LED 11 and LED 15 together for 5 seconds to restart the centralized controller.



- After reset, All ON LED starts to blink to indicate restart.