

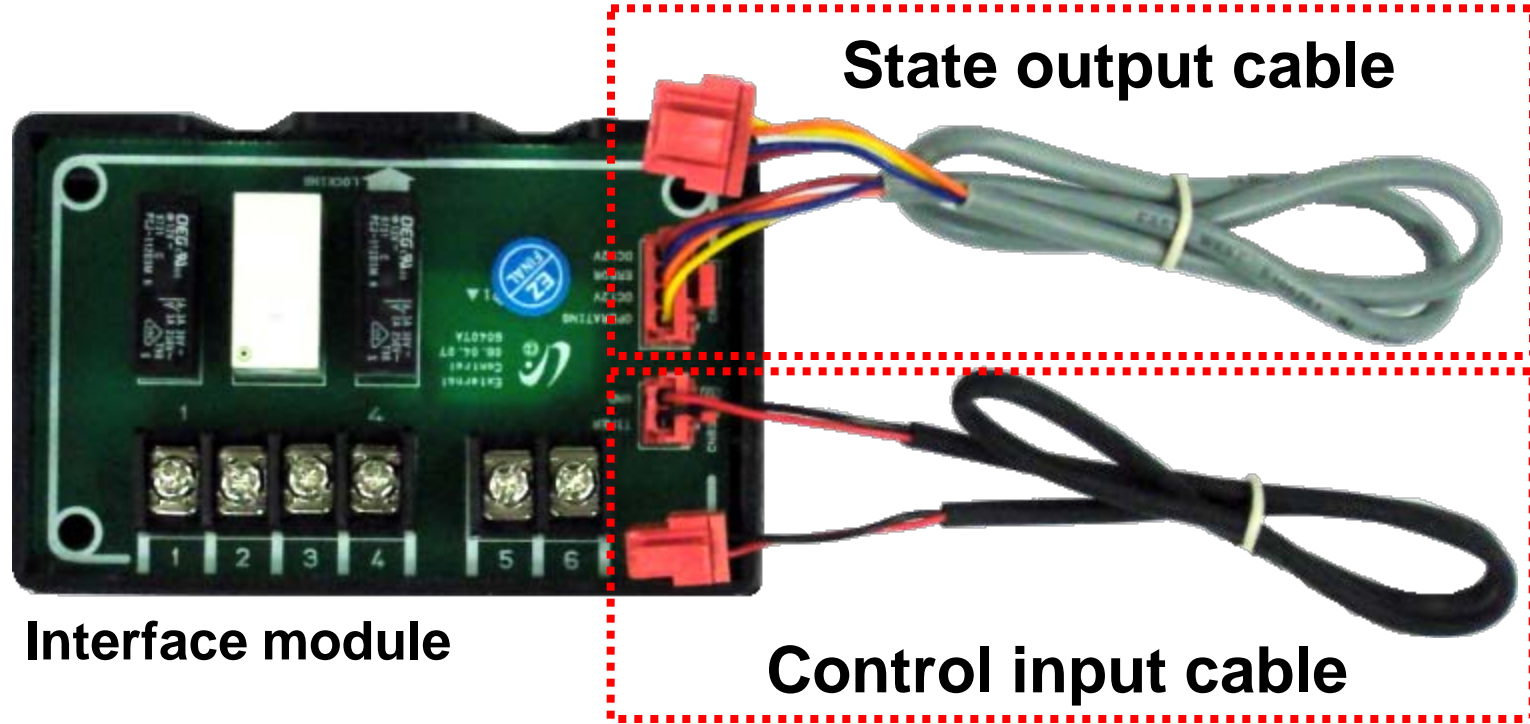
Interface module



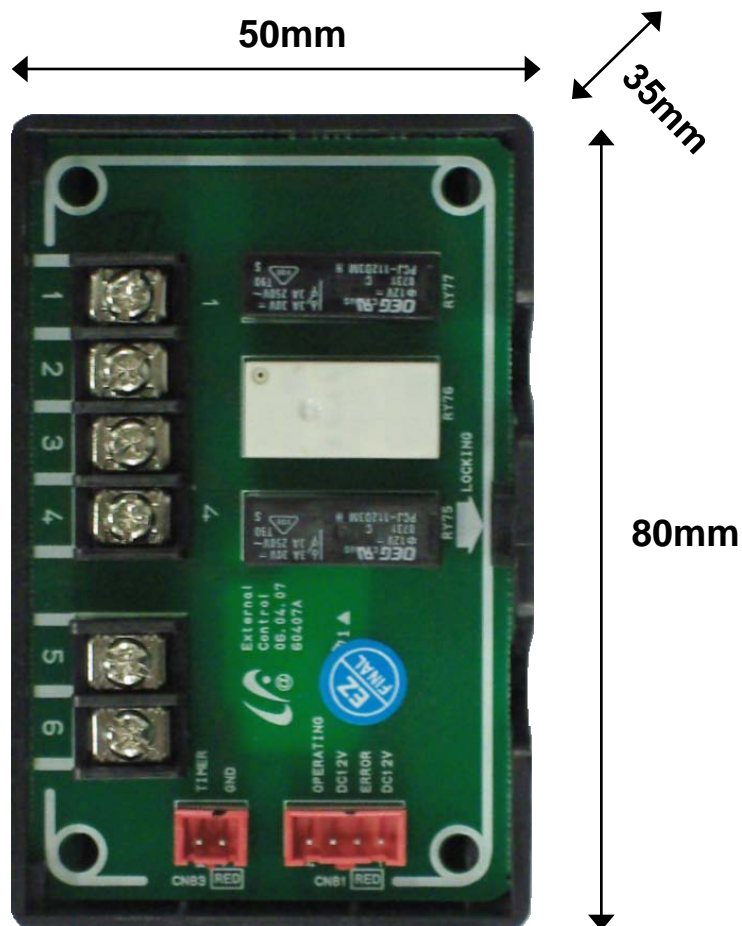
MIM-B14

●●● Contact interface module – MIM-B14

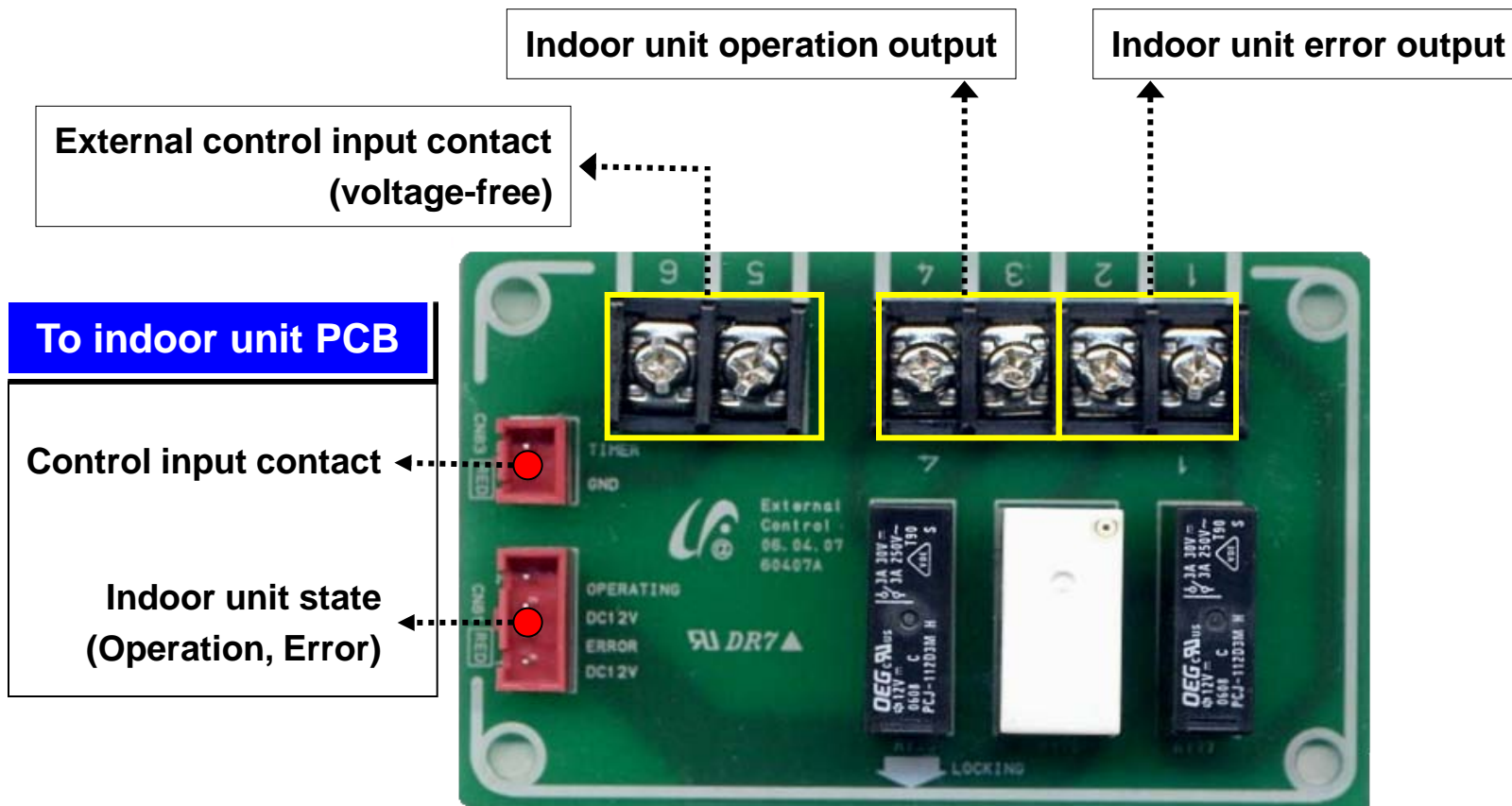
- Components



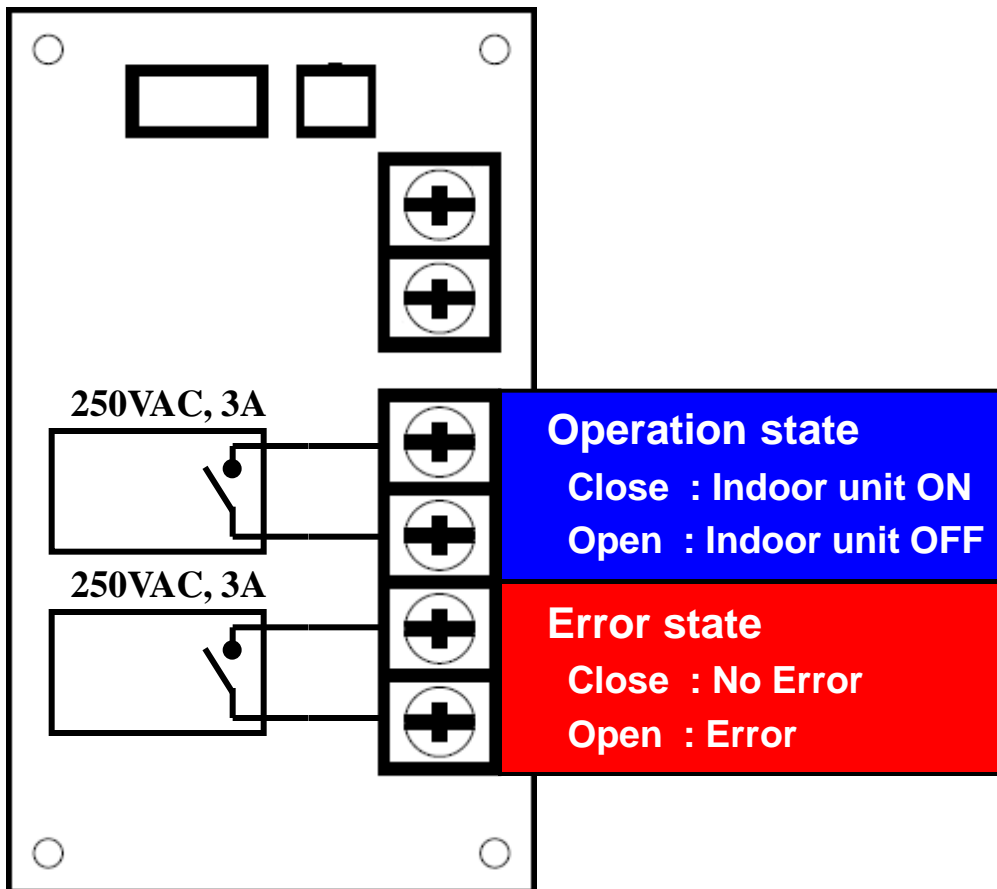
- Dimensions



- MIM-B14



- MIM-B14



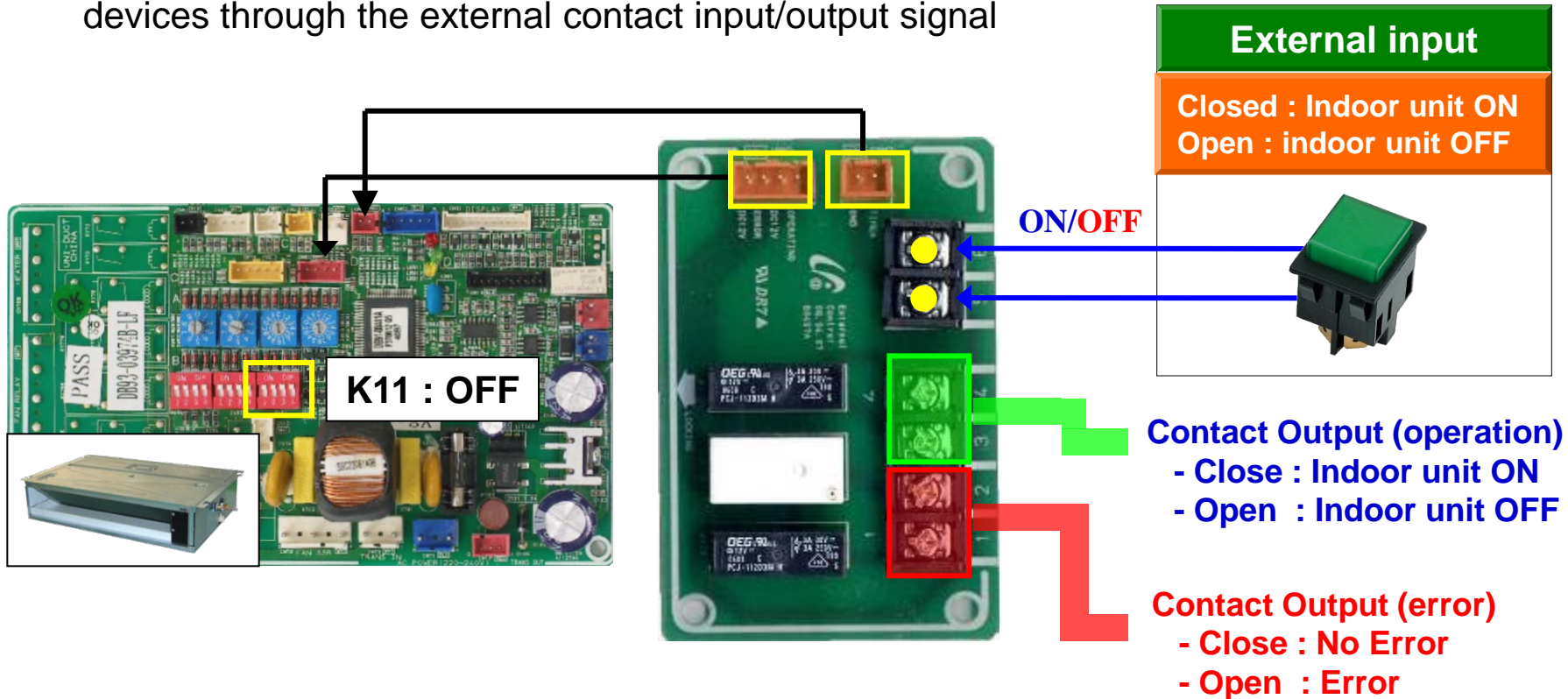
Indoor unit Operation	Operation state
Cooling (Thermal ON)	Close
Cooling (Thermal OFF)	Open
Heating (Thermal ON)	Close
Heating (Thermal OFF)	Open
FAN	Open

NOTE : Indoor unit operation/error output : Voltage-free relay contact

●●● Contact interface module – MIM-B14

- Connection to indoor unit

- To control the indoor unit and make synchronous control with other devices through the external contact input/output signal



- Indoor unit option switch K11 – ON : external control enabled, OFF : disabled
- Input load – 5V, 5mA, Output load - 250VAC, 3A
- Applied indoor units : DVM Plus III (HR) Slim 1way, 2/4way, mini 4way, DUCT, Ceiling
- Initial operation : Auto mode, temperature setting : 24, Auto fan speed, Stop airflow direction

●●● Contact interface module – MIM-B14

- Contact wiring length

