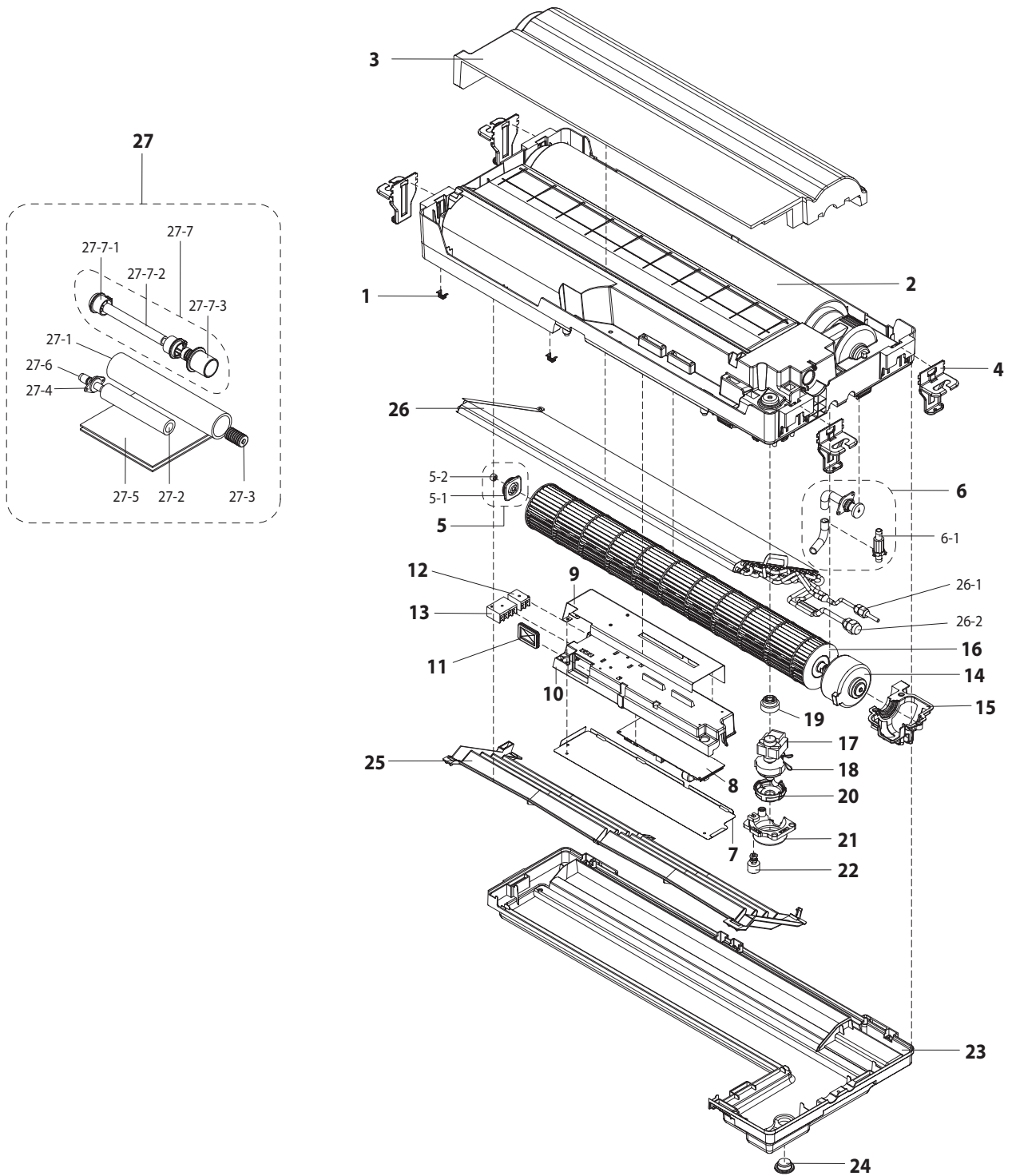


5. Exploded Views and Parts List

5-1 Indoor Unit

5-1-1 Slim1 way cassette type

■ Body

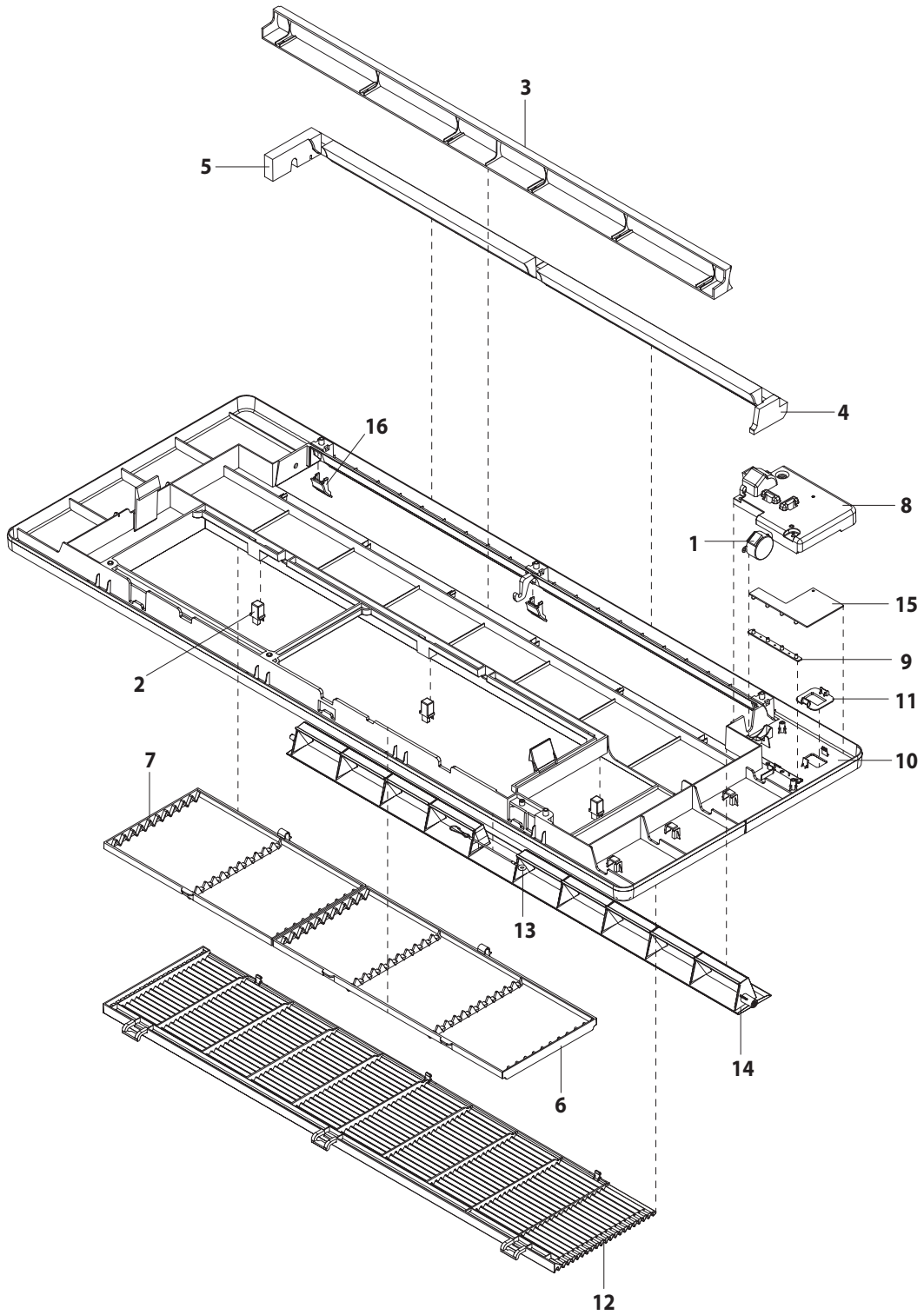


■ Parts List

No.	Code No.	Description	Specification	Q'TY	SA/SNA
1	DB61-03127A	BRACKET-PAN	SGCC-M,1.0,12,20,	2	SNA
2	DB64-01763A	CABINET-IN	ABS,3,417,1011,-,GRAY	1	SNA
3	DB64-01764A	CABINET-CUSHION	EPS,-,310,835,-,WHT	1	SNA
4	DB70-00753A	PLATE-HANGER	SGCC-M,1.2,73,100	4	SA
5	DB94-00258A	ASS'Y BEARING	G-PJT,CR,BLK	1	SA
5-1	DB73-00128A	RUBBER-BEARING	G-P/J,CR,55,BLK	1	SNA
5-2	DB94-40007A	ASS'Y BEARING	ASS'Y,POLYSLIDER-PG5	1	SA
6	DB94-01546A	ASS'Y-DRAIN SOCKET	ASS'Y	1	SNA
6-1	DB62-04236A	VALVE CHECK	ASS'Y,72.5	1	SA
7	DB70-00754A	PLATE-COVER CONTROL	SGCC-M,0.7,96,428	1	SNA
8	DB93-05558C	ASS'Y PCB MAIN	FR-4,1.6T,230mmx70mm,SMPS	1	SA
9	DB61-03126A	CASE-CONTROL	ABS,2.5,113,430,BLK	1	SNA
10	DB70-00755A	PLATE-CASE CONTROL	SGCC-M,0.7,96,428	1	SNA
11	DB73-00307A	RUBBER-WIRE HOLE	NBR,52.1,BLK	1	SNA
12	DB95-01058D	ASS'Y-TERMINAL BLOCK	2P	1	SNA
13	DB95-01101E	ASS'Y-TERMINAL BLOCK	4P,F1,F2,V1,V2	1	SNA
14	DB31-00436A	MOTOR FAN	SFN-220-20-4B-1,0.3A,40W,220V/230V,1250,50/60Hz, B,E,YH396-05VRT/YT396B-RT,700,ST730679-3,500	1	SA
15	DB63-01698A	COVER MOTOR	ABS,2.5,147,135,GRAY	1	SNA
16	DB94-00040Y	ASS'Y-CROSS FAN	ASS'Y	1	SA
17	DB67-00833A	DRAIN-PUMP	PBT,1.0,WHITE	1	SA
18	DB69-00137A	BAND-RING	STS304,T1.5,PI14	1	SNA
19	DB73-00390B	RUBBER-BASE PUMP	NBR,30,BLK	1	SNA
20	DB73-00391B	RUBBER-CAP PUMP	NBR,30,BLK	1	SNA
21	DB63-01699A	COVER-PUMP	ABS,2.5,78,100,GRAY	1	SNA
22	DB95-00131M	ASS'Y-SENSOR FLOAT SLIM1WAY	SmH250-02L,180mm,RED,BLK	1	SA
23	DB94-01367C	ASS'Y DRAIN PAN	ASS'Y	1	SA
24	DB73-00133B	RUBBER-CAP DRAIN SOCKET	NBR,38.30.27.24/15.12.9.4,45,15,BLK	1	SNA
25	DB94-01492A	ASS'Y DRAIN PAN-SUB	ASS'Y	1	SA
26	DB96-08129A	ASS'Y EVAP TOTAL	ASS'Y	1	SA
26-1	DB60-30010A	NUT-FLARE	HEX,7/16-20UnF	1	SA
26-2	DB60-30010C	NUT-FLARE	HEX,3/4-16UnF	1	SA
27	DB94-01278A	ASS'Y DRAIN-HOSE INSTALL	ASS'Y	1	SA
27-1	DB62-01960B	INSULATION-DRAIN	FOAM-PE,GRAY,200x45x10	1	SNA
27-2	DB62-04783A	INSULATION DRAIN-HOSE	FOAM-PE,T12,20,165,GREY,NON FLAmMABILITY	1	SNA
27-3	DB63-00237A	GROMMET-HANGER	NBR	8	SNA
27-4	DB67-00285A	DRAIN HOSE-SOCKET	POM,T3	1	SNA
27-5	DB72-00401C	INSULATION-JOINT OUT	FOAM-PE,T3,W200,L200,GREY	2	SNA
27-6	DB73-00089B	RUBBER-PLUG	NBR,D10,30,BLK	1	SNA
27-7	DB94-01258C	ASS'Y DRAIN-HOSE JOINT	ASS'Y	1	SA
27-7-1	DB67-00335A	DRAIN HOSE-HOUSING	BLUE	2	SNA
27-7-2	DB67-00336E	HOSE DRAIN-PVC	SOFT PVC,14,20,3,GRAY	1	SNA
27-7-3	DB67-00805C	DRAIN HOSE-JOINT B	ABS,T3.0,NORmAL	1	SA

Slim 1 way cassette type(cont.)

■ Panel(A type)

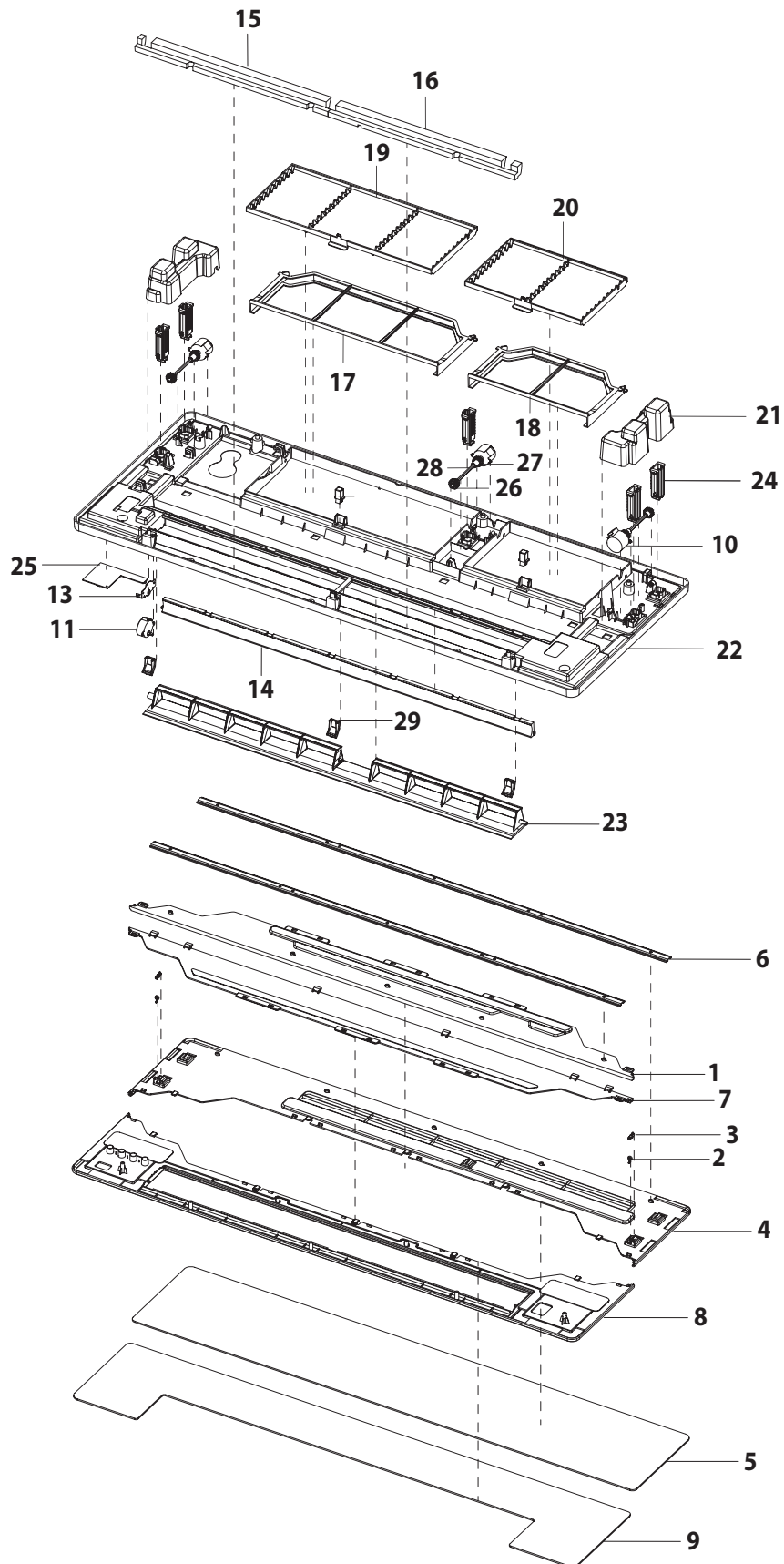


■ Parts List

No.	Code No.	Description	Specification	Q'TY	SA/SNA
1	DB31-00370A	MOTOR STEP	35BYJ46,DC12V800gf.cm,SmH250-05L(WHT),100mm	1	SA
2	DB61-02894A	HOLDER-PUSH LATCH	POM,PC+PE,11.9,12.9,21,BLACK	3	SA
3	DB61-03123A	GUIDE-AIR OUTLET	HIPS,2.5,70,860,GRAY	1	SNA
4	DB61-03124A	GUIDE-CUSHION AIR OUT LF	EPS,105,426,WHT	1	SNA
5	DB61-03125A	GUIDE-CUSHION AIR OUT RH	EPS,105,463,WHT	1	SNA
6	DB63-01694A	FILTER-AIR INLET	ABS,2,196,437,BLK	1	SA
7	DB63-01695A	FILTER-AIR INLET G	ABS,2,196,320,BLK	1	SA
8	DB63-01697A	COVER-DISPLAY PCB	HIPS,2.5,117,154,BLK	1	SNA
9	DB64-00237A	PANEL-DISPLAY LED	AKM-2800,PC	1	SA
10	DB64-01759A	PANEL FRONT-SLIM 1WAY	ABS,40,465,1180,DA White	1	SNA
11	DB64-01760A	WINDOW-DISPLAY PCB	PC,1.5,40,40,-,MILKY WHT	1	SNA
12	DB64-01762A	GRILLE-AIR INLET	ABS,2.0,213,859,WHT	1	SA
13	DB65-00023A	CLIP-WIRE-ASS'Y	NYLON,AG-240E	1	SNA
14	DB66-01187A	BLADE-G	ABS,5,11.6,WHT	1	SNA
15	DB93-05321A	ASS'Y PCB SUB	FR-1,LEAD FREE	1	SNA
16	DB63-01696A	COVER-SCREW	ABS,2.5,19,34,WHT	1	SNA

Slim 1 way cassette type(cont.)

■ Panel(B type)

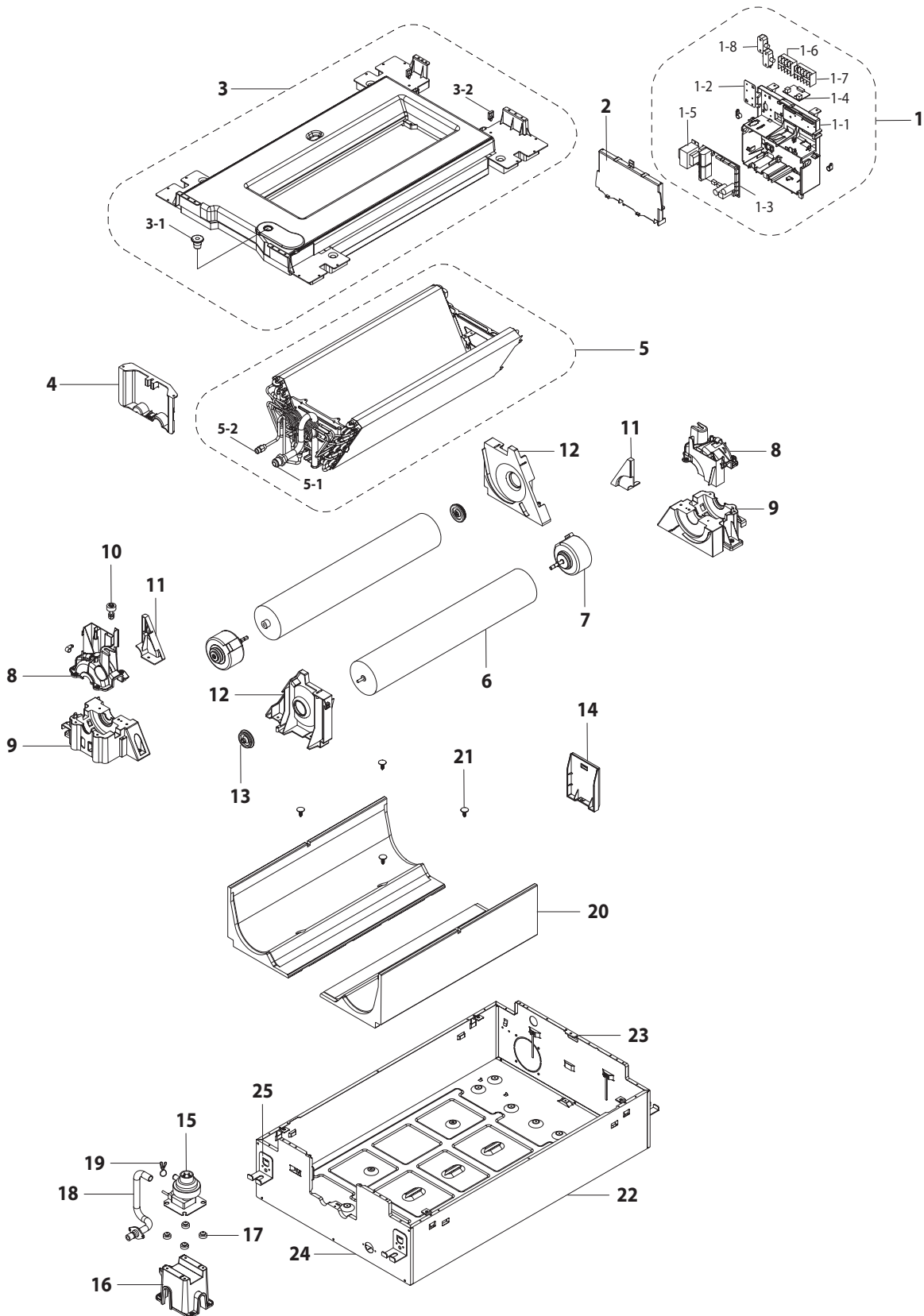


■ Parts List

No.	Code No.	Description	Specification	Q'TY	SA/SNA
1	DB61-03230A	GUIDE-INLET ACRYLIC	ASGP1181,ABS,2,230,1181,SLIM1WAY	1	SA
2	DB61-03359A	HINGE-LOCK	AGSP1181G,POM,1,7,14,3,SLIDE PANEL	2	SA
3	DB61-03362A	HINGE	AGSP1181G,POM,2,5,8,5,20,SLIDE PANEL	2	SA
4	DB64-01836A	PANEL-INLET SLIDE	AGSP1181,ABS,2,230,1181,SLIM1WAY	1	SA
5	DB64-01884A	WINDOW-PANEL INTAKE	AGSP1181G,Pmma,3,225,1174,SLIDE PANEL	1	SA
6	DB70-00902A	PLATE-PANEL S	AGSP1181,SGCC-P,1,198,1143,SLIM1WAY	2	SA
7	DB61-03231A	GUIDE-FRONT ACRYLIC	AGSP1181,ABS,2,230,1181,SLIM1WAY	1	SA
8	DB64-01842A	PANEL FRONT-SLIDE	AGSP1181,ABS,2,230,1181,SLIM1WAY	1	SA
9	DB64-01883A	WINDOW-PANEL FRONT	AGSP1181G,Pmma,3,225,1174,SLIDE PANEL	1	SA
10	DB31-00368A	MOTOR STEP	50BYJ46-1,GLOBAL3-PJT,3500gf.cm,60,220,12Vdc,40Ω	3	SC
11	DB31-00370A	MOTOR STEP	35BYJ46,DC12V,DC12V,800gf.cm, SmH250-05L(WHT),100mm	1	SA
12	DB61-02894A	HOLDER-PUSH LATCH	HP-C180VC,POM,PC+PE,11.9,12.9,21,BLACK,CRYSTAL-PJT	2	SA
13	DB61-03158A	BRACKET-STEPPING MOTOR	AG450951G,SGCC-M,T1.0,31.5,53,WHT,STAR	1	SNA
14	DB61-03266A	GUIDE-AIR OUTLET S	AGSP1181,ABS,2,5,32,760,SLIM1WAY	1	SA
15	DB61-03267A	GUIDE-CUSHION AIR OUT S LF	AGSP1181,ABS,12,32,448,SLIM1WAY	1	SA
16	DB61-03268A	GUIDE-CUSHION AIR OUT S RH	AGSP1181,ABS,12,32,435,SLIM1WAY	1	SA
17	DB61-03366A	GUIDE-FILTER L	AGSP1181G,ABS,2,55,438,SLIDE PANEL	1	SA
18	DB61-03367A	GUIDE-FILTER S	AGSP1181G,ABS,2,55,278,SLIDE PANEL	1	SA
19	DB63-01858A	FILTER-AIR INLET L	AGSP1181G,ABS,3,178,430,BLK,SLIDE PANEL	1	SA
20	DB63-01785A	FILTER-AIR INLET S	AGSP1181,ABS,2,180,280,BLK,SLIM1WAY	1	SA
21	DB63-01786A	COVER-GEAR	AGSP1181,ABS,2,5,68,164,SLIM1WAY	2	SA
22	DB64-01835A	PANEL-BASE SLIDE	AGSP1181,ABS,2,460,1181,SLIM1WAY	1	SA
23	DB66-01219A	BLADE-SLIDE	AGSP1181,ABS,2,SLIM1WAY	1	SA
24	DB66-01239A	GEAR RACK	AGSP1181,ABS,2,17,2.5,WHT,SLIM1WAY	5	SA
25	DB93-05321A	ASS'Y PCB SUB	SLIM 1WAY DISPLAY PCB,PANEL, FR-1, LEAD FREE, AIXCSH040B1, AIXCSH032B1, AIXCSH023B1	1	SNA
26	DB66-00422A	GEAR-PINION B	AS-SA680,POM,1,18,24,WHITE,20,P.C.D18,	3	SA
27	DB66-01290A	GEAR-PINION A	AS-SA680,POM,1,18,26.5,WHITE,20,P.C.D18,	3	SA
28	DB70-00320B	BAR-HEXA	AGSP1181,STS304,5,85,SLIDE PANEL	3	SNA
29	DB63-01696B	COVER-SCREW S	AGSP1181W,ABS,2.5,Neo Victory Gray, Spray-Color:EMPIRE SILVER	3	SNA

5-1-2 2 way cassette type

■ Body

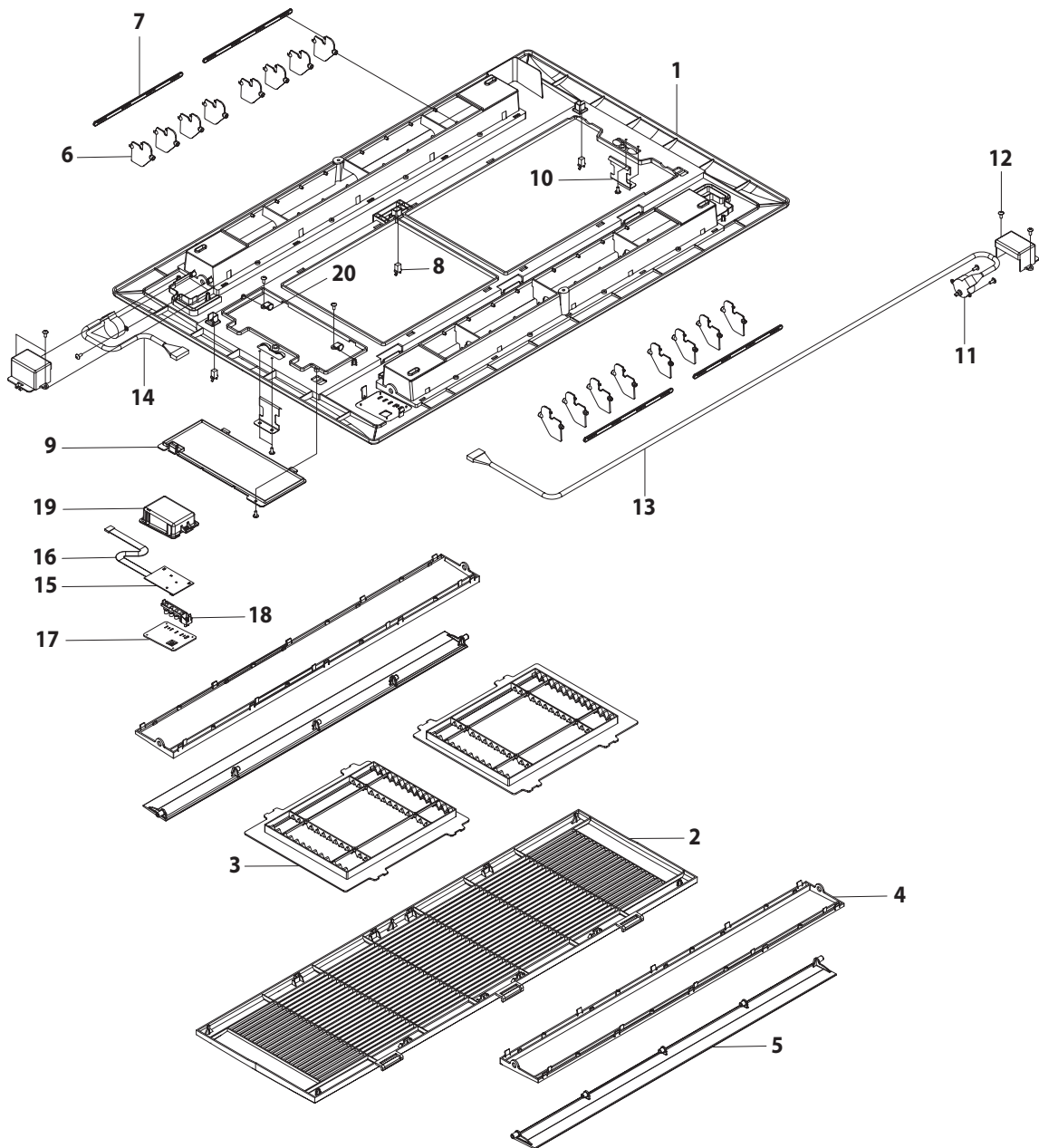


■ Parts List

No.	Code No.	Description	Specification	Q'TY		SA/SNA
				AVXC2H056E*	AVXC2H071E*	
1	DB93-02794K	ASS'Y CONTROL BOX IN	ASS'Y	1	1	SNA
1-1	DB61-01482A	CASE CONTROL	PS(V0),BLK	1	1	SNA
1-2	DB61-01236E	BASE TERMINAL	SGCC-M	1	1	SNA
1-3	DB93-03297E	ASS'Y MAIN PCB	ASS'Y PCB	1	1	SA
1-4	DB93-03301A	SUB PCB	PCB	1	1	SA
1-5	DB26-10065B	TRANS POWER		1	1	SA
1-6	DB93-01783A	ASS'Y TERMINAL BLOCK 4P	DAF 4P	1	1	SA
1-7	DB93-02818A	ASS'Y TERMINAL BLOCK 6P	DAF 56P	1	1	SA
1-8	DB65-10074A	CLAMP WIRE	NY	2	2	SNA
2	DB63-00779A	COVER CONTROL	HIPS	1	1	SNA
3	DB91-00232A	ASS'Y DRAIN PAN	ASS'Y DRAIN	1	1	SA
3-1	DB63-00062A	SOCKET DRAIN CAP	NBR	1	1	SNA
3-2	DB71-50025A	WIRE HOLDER	NY	1	1	SNA
4	DB63-00672A	COVER SIDE LF	PP(INCOMBUSTIBLE),BLK	1	1	SNA
5	DB96-05232B	ASS'Y EVAP	FP 1.5 SLIT 3x10 ASS'Y	-	1	SA
	DB96-05231B	ASS'Y EVAP	FP 1.3 SLIT 2x10 ASS'Y	1	-	SA
5-1	DB96-05978A	ASS'Y TUBE COLLECTOR	ø15.88	-	1	SNA
	DB96-03730B	ASS'Y TUBE COLLECTOR	ø12.7	1	-	SNA
5-2	DB96-05632A	ASS'Y INLET PART	ø9.52 CAPI ø2.0	-	1	SNA
	DB96-05631A	ASS'Y INLET PART	ø6.35 CAPI ø2.0 ASS'Y	1	-	SNA
6	DB94-00040S	ASS'Y C-F-FAN	ø95 8 ranks,AS+G/F 20%	2	2	SA
7	DB31-00241A	MOTOR ASS'Y	PFS040AVEB	2	2	SA
8	DB90-01182A	ASS'Y COVER MOTOR	HIPS,INSU	2	2	SNA
9	DB90-01184A	ASS'Y CASE MOTOR	HIPS,INSU	2	2	SNA
10	DB95-00131F	ASS'Y SENSOR FLOAT		2	2	SA
11	DB90-01183A	ASS'Y COVER EVAP GUIDE	HIPS,INSU	2	2	SNA
12	DB90-01185A	ASS'Y CASE FAN SIDE SUB	HIPS,INSU	2	2	SNA
13	DB94-00066A	ASS'Y BEARING	BEARING	2	2	SA
14	DB61-01475A	GUIDE CONTROL	HIPS	1	1	SNA
15	DB31-00207A	DRAIN PUMP	KS1003SAC	1	1	SA
16	DB61-01293A	HOLDER DRAIN PUMP	HIPS	1	1	SNA
17	DB73-00022B	RUBBER DRAIN PUMP	HIPS(HB),BLK	4	4	SNA
18	DB94-00371A	ASS'Y DRAIN SOCKET	ASS'Y	1	1	SA
19	DB69-00137A	BAND RING	STS304	1	1	SA
20	DB69-00695A	CUSHION BODY	EPS(GRY)	2	2	SNA
21	DB61-01468A	CLIP BRUSH	EPS(GRY)	4	4	SNA
22	DB64-00778A	CABINET BASE	SGCC-M 0.7T	1	1	SNA
23	DB64-00781A	CABI SIDE RH	SGCC-M 0.7T	1	1	SNA
24	DB64-00780A	CABI SIDE LF	SGCC-M 0.7T	1	1	SNA
25	DB61-00712A	HOLDER CABI SIDE	SGCC-M 1.0T	4	4	SNA

2 way cassette type(cont.)

■ Panel

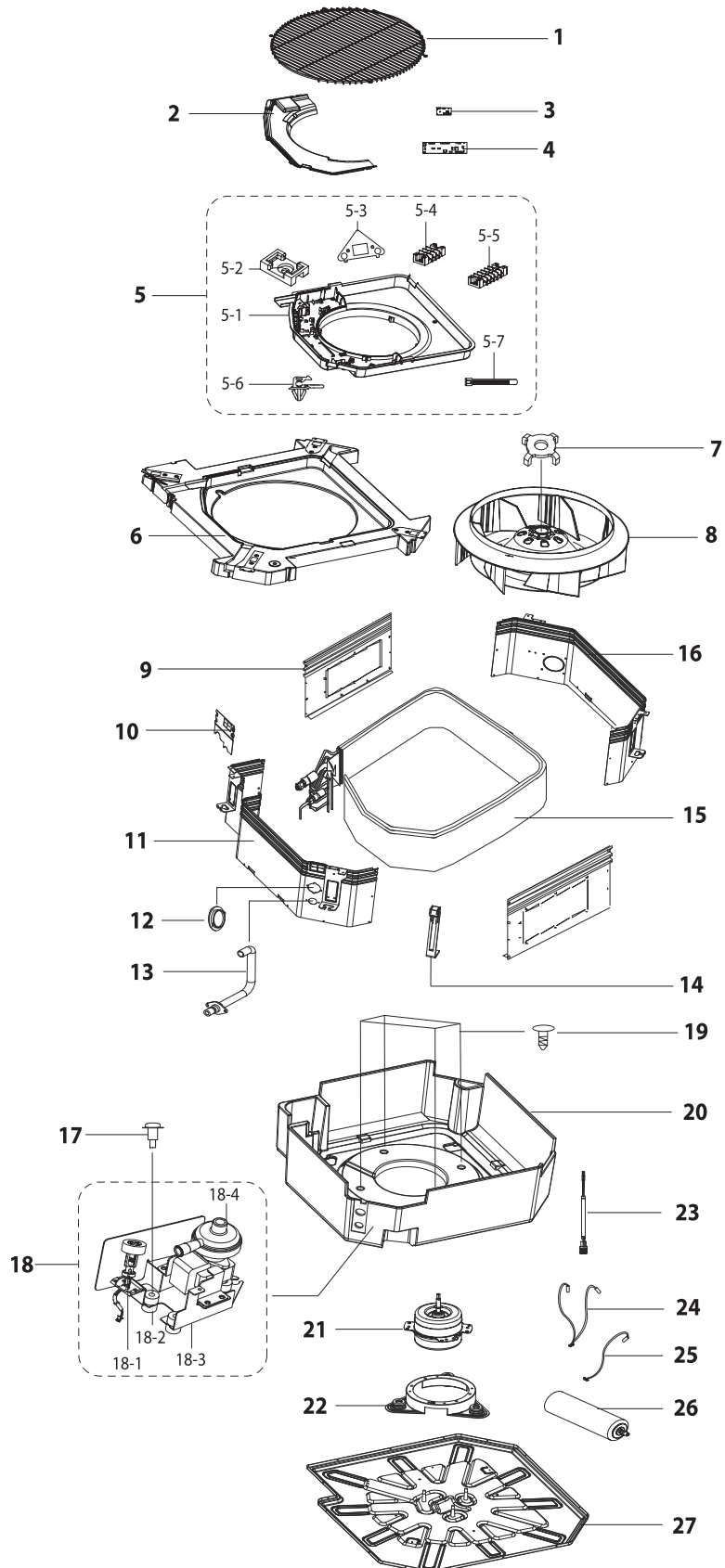


■ Parts List

No.	Code No.	Description	Specification	Q'TY	SA/SNA
				P2SMA	
1	DB64-00777A	PANEL FRONT	ABS	1	SNA
2	DB64-00775A	GRILLE FRONT	ABS	1	SA
3	DB64-00774A	FILTER INLET AIR	ASS'Y	2	SA
4	DB61-01297A	CASE OUTLET AIR	HIPS	2	SNA
5	DB66-00415A	BLADE H	HIPS	2	SA
6	DB66-00402A	BLADE V	PP	16	SNA
7	DB66-00416A	LINK BLADE V	PP	4	SNA
8	DB66-00755A	LATCH DC	ASS'Y	3	SNA
9	DB63-00676A	COVER PANEL	HIPS	1	SNA
10	DB70-00031A	PLATE HANGER	STS304	2	SNA
11	DB31-10153D	MOTOR STEP	ASS'Y	2	SA
12	DB61-00535A	HOLDER MOTOR	HIPS V0 BLK	2	SNA
13	DB39-00874C	C/W MOTOR STEP LONG	UL1007	1	SA
14	DB39-00874B	C/W MOTOR STEP SHORT	UL1007	1	SA
15	DB93-01666A	PCB DISPLAY		1	SA
16	DB39-00875A	C/W DISPLAY	UL1007	1	SA
17	DB64-00745A	INLAY WINDOW	PC	1	SNA
18	DB64-00746A	INLAY BUTTON	ABS	1	SNA
19	DB61-01238A	CASE LED PCB	ABS	1	SNA
20	-	CABLE CLAMP	4N	2	SNA

5-1-3 4 way cassette type

■ Body(AVXC4H045/056/071/090E*)



■ Parts List

No.	Code No.	Description	Specification	Q'TY		SA/SNA
				AVXC4H045E* AVXC4H056E*	AVXC4H071E* AVXC4H090E*	
1	DB63-01480A	GUARD-SAFETY	CH140EAMC,HSWR	1	1	SNA
2	DB63-01481A	COVER-CONTROL	CH140EAMC,ABC	1	1	SNA
3	DB93-05981B	ASS'Y MAIN PCB	CH140EAMC	1	1	SNA
4	DB93-04119B	ASS'Y PCB SUB-POWER	CH140EAMC	1	1	SNA
5	DB93-05254A	ASS'Y CONTROL IN	ASS'Y	1	1	SNA
5-1	DB61-03092A	BASE CONRTROL	ABS,V0	1	1	SNA
5-2	DB61-02501A	TIE MOUNTS	NYLON66	2	2	SNA
5-3	DB61-02700A	BRACKET EARTH WIRE	SGCC-M	1	1	SNA
5-4	DB65-00029M	TERMINAL BLOCK 4P	ASS'Y,6P	1	1	SA
5-5	DB65-00029X	TERMINAL BLOCK 6P	ASS'Y,4P	1	1	SA
5-6	DB61-02765A	HOLDER SENSOR	PP	1	1	SNA
5-7	6501-001052	REUSABLE CABLE TIES	NYLON66	2	2	SNA
6	DB94-01062A	ASS'Y CUSHION DRAIN	ASS'Y,EPS,V0	1	1	SNA
7	DB61-01783A	BRACKET WASHER FAN	SGCC-M	1	1	SNA
8	DB67-00804A	ASS'Y FAN TURBO	ABS+GF10%	1	1	SNA
9	DB64-01734A	CABI SIDE	SGCC-M	2	2	SNA
10	DB90-02692A	ASS'Y COVER PIPE	ASS'Y	1	1	SNA
11	DB90-03189A	ASS'Y CABI FEONT	ASS'Y,SGCC-M	1	1	SNA
12	DB90-01950B	ASS'Y COVER DRAIN PUMP	ASS'Y	1	1	SNA
13	DB94-01389A	ASS'Y HOSE DRAIN	ASS'Y	1	1	SNA
14	DB61-03093A	HOLDER EVAP	STS301	2	2	SNA
15	DB96-08027B	ASS'Y EVAP UNIT	ASS'Y	1	-	SNA
	DB96-08027A	ASS'Y EVAP UNIT	ASS'Y	-	1	SNA
16	DB90-03190A	ASS'Y CABI BACK	ASS'Y,SGCC-M	1	1	SNA
17	DB90-02090B	SCREW PUMP	M5X30	-	-	SA
18	DB94-01381A	ASS'Y DRAIN PUMP	ASS'Y	1	1	SNA
18-1	DB34-00063A	SWITCH FLOAT	ASS'Y	1	1	SNA
18-2	DB73-00345A	RUBBER PUMP	NBR	3	3	SNA
18-3	DB61-02709A	BRACKET DRAIN PUMP	SGCC-M	1	1	SNA
18-4	DB67-00790A	DRAIN PUMP	ASS'Y	1	1	SNA
19	DB61-02349A	CLIP BRUSH	NYLON 66	-	-	SNA
20	DB97-05920A	ASS'Y CUSHION BASE	ASS'Y,EPS,V0	1	1	SNA
21	DB31-00439A	MOTOR INDOOR	BLDC	1	1	SA
22	DB90-03188A	ASS'Y BRACKET MOTOR	ASS'Y	-	-	SNA
23	DB93-07219A	CONNECT MOTOR FAN SUB	ASS'Y	1	1	SNA
24	DB32-00169A	THERMISTOR IN	ASS'Y	1	1	SA
25	DB32-00141A	THERMISTOR EVAP	ASS'Y	1	1	SNA
26	DB94-01389A	ASS'Y DRAIN HOSE	ASS'Y	1	1	SNA
27	DB90-02689B	ASS'Y CABI BASE	ASS'YSGCC-M	1	1	SNA

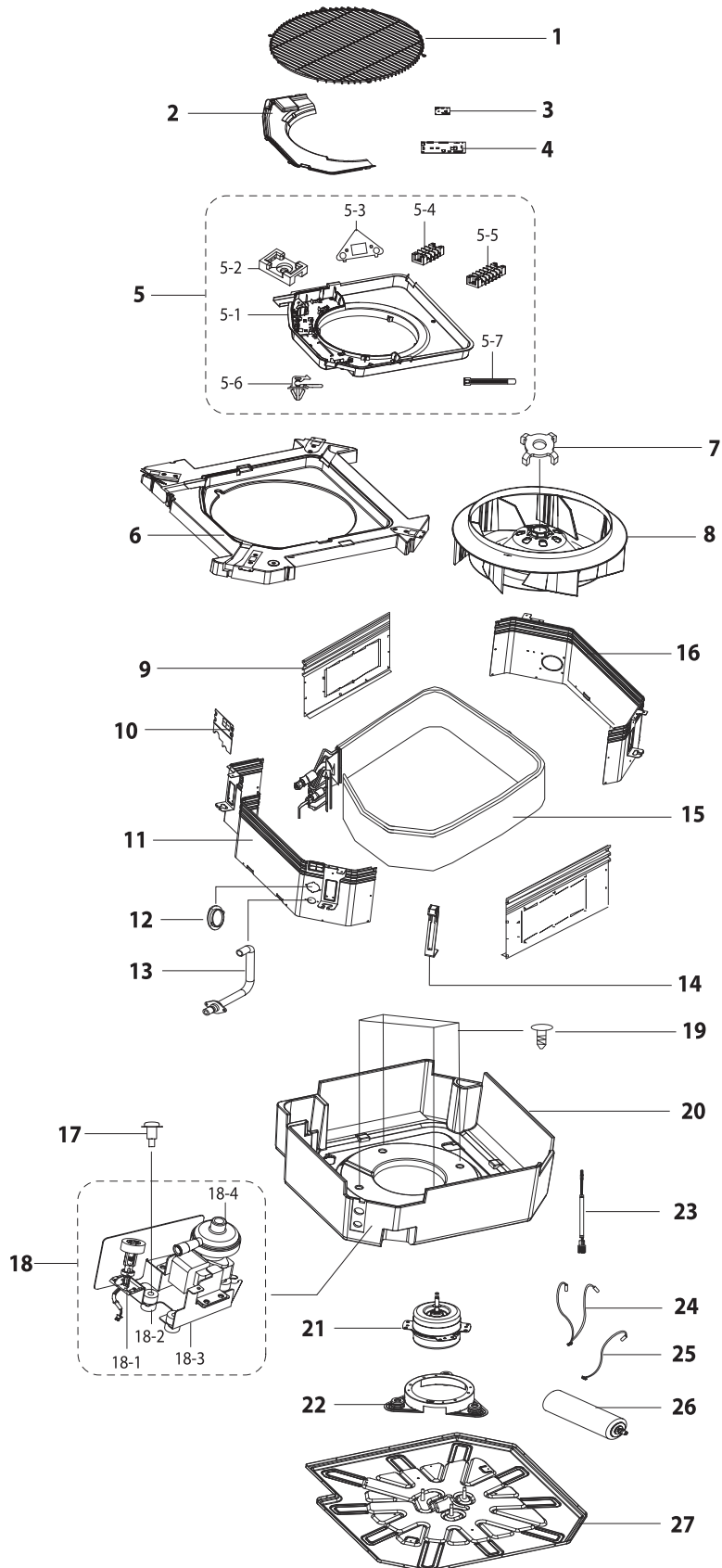
■ Parts List

No.	Code No.	Description	Specification	Q'TY		SA/SNA
				AVXC4H045EG AVXC4H056EG	AVXC4H071EG AVXC4H090EG	
1	DB63-01480A	GUARD-SAFETY	CH140EAMC,HSWR	1	1	SNA
2	DB63-01481A	COVER-CONTROL	CH140EAMC,ABC	1	1	SNA
3	DB93-05981D	ASS'Y MAIN PCB	MAIN PCB	1	1	SA
4	DB93-04119D	ASS'Y PCB SUB-POWER	POWER PCB	1	1	SA
5	DB93-05254F	ASS'Y CONTROL IN	ASS'Y CONTROL IN	1	1	SA
5-1	DB61-03092A	BASE CONRTROL	ABS,V0	1	1	SNA
5-2	DB61-02501A	TIE MOUNTS	NYLON66	2	2	SNA
5-3	DB61-02700A	BRACKET EARTH WIRE	SGCC-M	1	1	SNA
5-4	DB65-00029M	TERMINAL BLOCK 4P	ASS'Y,6P	1	1	SA
5-5	DB65-00029X	TERMINAL BLOCK 6P	ASS'Y,4P	1	1	SA
5-6	DB61-02765A	HOLDER SENSOR	PP	1	1	SNA
5-7	6501-001052	REUSABLE CABLE TIES	NYLON66	2	2	SNA
6	DB94-01062A	ASS'Y CUSHION DRAIN	ASS'Y,EPS,V0	1	1	SNA
7	DB61-01783A	BRACKET WASHER FAN	SGCC-M	1	1	SNA
8	DB67-00804A	ASS'Y FAN TURBO	ABS+GF10%	1	1	SNA
9	DB64-01734A	CABI SIDE	SGCC-M	2	2	SNA
10	DB90-02692A	ASS'Y COVER PIPE	ASS'Y	1	1	SNA
11	DB90-03189A	ASS'Y CABI FEONT	ASS'Y,SGCC-M	1	1	SNA
12	DB90-01950B	ASS'Y COVER DRAIN PUMP	ASS'Y	1	1	SNA
13	DB94-01389A	ASS'Y HOSE DRAIN	ASS'Y	1	1	SNA
14	DB61-03093A	HOLDER EVAP	STS301	2	2	SNA
15	DB96-08027B	ASS'Y EVAP UNIT	ASS'Y	1	-	SNA
	DB96-08027A	ASS'Y EVAP UNIT	ASS'Y	-	1	SNA
16	DB90-03190A	ASS'Y CABI BACK	ASS'Y,SGCC-M	1	1	SNA
17	DB90-02090B	SCREW PUMP	M5X30	-	-	SA
18	DB94-01381A	ASS'Y DRAIN PUMP	ASS'Y	1	1	SNA
18-1	DB34-00063A	SWITCH FLOAT	ASS'Y	1	1	SNA
18-2	DB73-00345A	RUBBER PUMP	NBR	3	3	SNA
18-3	DB61-02709A	BRACKET DRAIN PUMP	SGCC-M	1	1	SNA
18-4	DB67-00790A	DRAIN PUMP	ASS'Y	1	1	SNA
19	DB61-02349A	CLIP BRUSH	NYLON 66	-	-	SNA
20	DB97-05920A	ASS'Y CUSHION BASE	ASS'Y,EPS,V0	1	1	SNA
21	DB31-00539A	MOTOR INDOOR	BLDC	1	1	SA
22	DB90-03188A	ASS'Y BRACKET MOTOR	ASS'Y	-	-	SNA
23	DB93-07219A	CONNECT MOTOR FAN SUB	ASS'Y	1	1	SNA
24	DB32-00169A	THERMISTOR IN	ASS'Y	1	1	SA
25	DB32-00141A	THERMISTOR EVAP	ASS'Y	1	1	SNA
26	DB94-01389A	ASS'Y DRAIN HOSE	ASS'Y	1	1	SNA
27	DB90-02689B	ASS'Y CABI BASE	ASS'YSGCC-M	1	1	SNA

MEMO

4 way cassette type(cont.)

■ Body(AVXC4H/112/128/140E*)



■ Parts List

No.	Code No.	Description	Specification	Q'TY		SA/SNA
				AVXC4H112E* AVXC4H128E*	AVXC4H140E*	
1	DB63-01480A	GUARD-SAFETY	CH140EAMC,HSWR	1	1	SA
2	DB63-01481A	COVER-CONTROL	CH140EAMC,ABS	1	1	SNA
3	DB93-05981B	ASS'Y MAIN PCB	CH140EAMC	1	1	SA
4	DB93-04119B	ASS'Y PCB SUB-POWER	CH140EAMC	1	1	SA
5	DB93-04137A	ASS'Y CONTROL IN	ASS'Y	1	1	SA
5-1	DB61-02706A	BASE CONTROL	ABS,V0	1	1	SNA
5-2	DB61-02501A	TIE MOUNTS	NYLON66	2	2	SNA
5-3	DB61-02700A	BRACKET EARTH WIRE	SGCC-M	1	1	SNA
5-4	DB65-00029M	TERMINAL BLOCK 4P	ASS'Y ,6P	1	1	SNA
5-5	DB65-00029X	TERMINAL BLOCK 6P	ASS'Y ,4P	1	1	SNA
5-6	DB61-02765A	HOLDER SENSOR	PP	1	1	SNA
5-7	6501-001052	REUSABLE CABLE TIES	NYLON66	2	2	SNA
6	DB94-01062A	ASS'Y CUSHION DRAIN	ASS'Y,EPS,V0	1	1	SNA
7	DB61-01783A	BRACKET WASHER FAN	SGCC-M	1	1	SA
8	DB67-00682A	ASS'Y FAN TURBO	ABS+GF10%	1	1	SA
9	DB64-01562A	CABI SIDE	SGCC-M	2	2	SA
10	DB90-02692A	ASS'Y COVER SIDE	ASS'Y	1	1	SA
11	DB90-02690A	ASS'Y CABI FRONT	ASS'Y,SGCC-M	1	1	SA
12	DB90-01950B	ASS'Y COVER DRAIN PUMP	ASS'Y	1	1	SA
13	DB90-02693A	ASS'Y HOSE DRAIN	ASS'Y	1	1	SA
14	DB61-02701A	HOLDER EVAP	STS301	2	2	SA
15	DB96-06677A	ASS'Y EVAP UNIT	ASS'Y	-	1	SA
	DB96-06707A	ASS'Y EVAP UNIT	ASS'Y	1	-	SA
16	DB90-02688A	ASS'Y CABI BACK	ASS'Y,SGCC-M	1	1	SA
17	DB97-02090B	SCREW PUMP	M5X30	3	3	SA
18	DB94-01381A	ASS'Y DRAIN PUMP	ASS'Y	1	1	SA
18-1	DB34-00063A	SWITCH FLOAT	ASS'Y	1	1	SNA
18-2	DB73-00345A	RUBBER PUMP	NBR	3	3	SNA
18-3	DB61-02709A	BRACKET DRAIN PUMP	SGCC-M	1	1	SNA
18-4	DB67-00790A	DRAIN PUMP	ASS'Y	1	1	SNA
19	DB61-02349A	CLIP BRUSH	NYLON 66	4	4	SNA
20	DB90-02693A	ASS'Y CUSHION BASE	ASS'Y,EPS,V0	1	1	SA
21	DB31-00364A	MOTOR INDOOR	BLDC	1	1	SA
22	DB94-01059A	ASS'Y BRACKET MOTOR	ASS'Y	-	-	SA
23	DB93-07219A	CONNECT MOTOR FAN SUB	ASS'Y	1	1	SA
24	DB32-00169A	THERMISTOR IN	ASS'Y	1	1	SA
25	DB32-00141B	THERMISTOR EVAP	ASS'Y	1	1	SA
26	DB94-01078A	ASS'Y DRAIN HOSE	ASS'Y	1	1	SA
27	DB90-02689A	ASS'Y CABI BASE	ASS'Y,SGCC-M	1	1	SNA

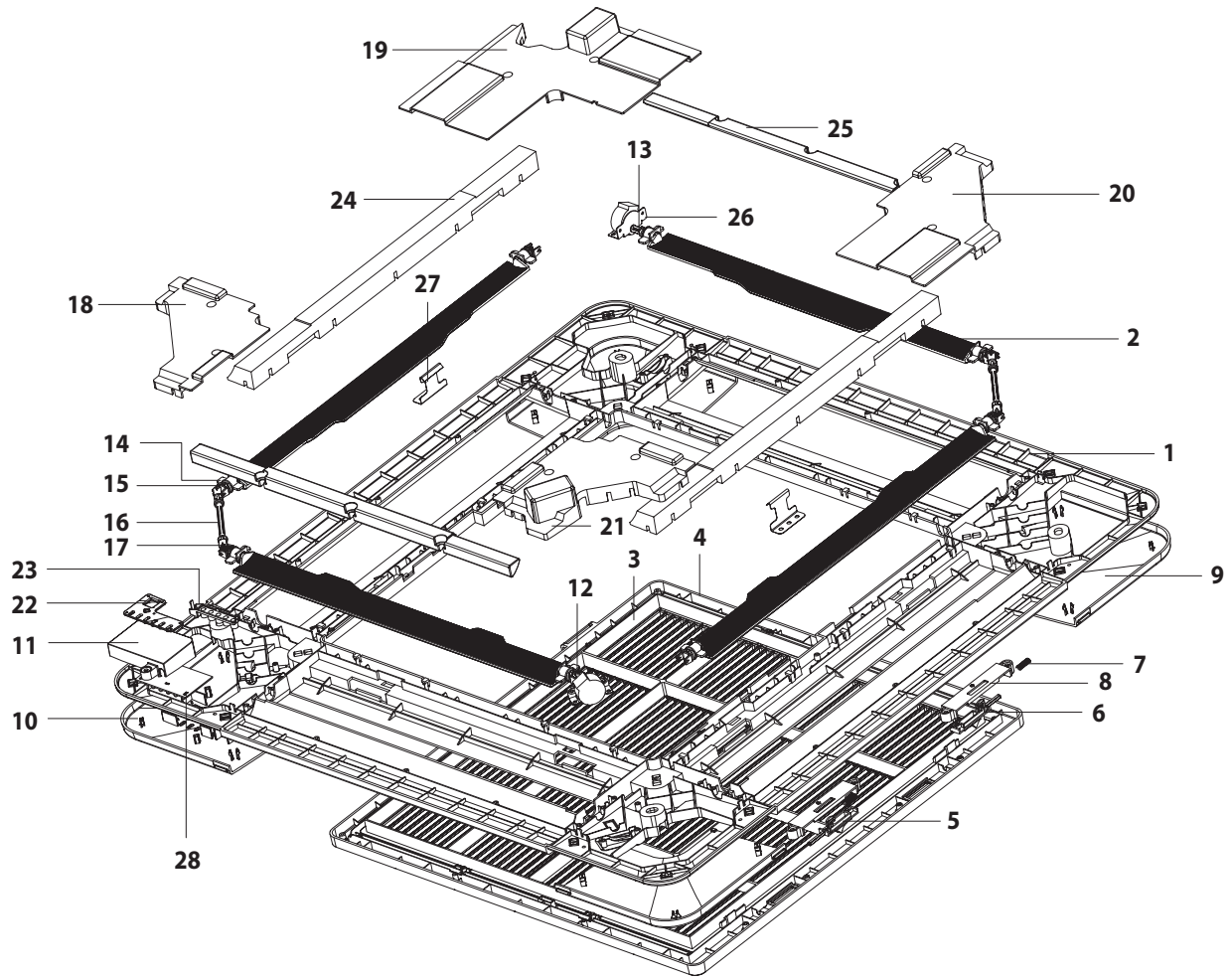
■ Parts List

No.	Code No.	Description	Specification	Q'TY		SA/SNA
				AVXC4H112EG AVXC4H128EG	AVXC4H140EG	
1	DB63-01480A	GUARD-SAFETY	CH140EAMC,HSWR	1	1	SA
2	DB63-01481A	COVER-CONTROL	CH140EAMC,ABS	1	1	SNA
3	DB93-05981D	ASS'Y MAIN PCB	MAIN PCB	1	1	SA
4	DB93-04119D	ASS'Y PCB SUB-POWER	POWER PCB	1	1	SA
5	DB93-04404A	ASS'Y CONTROL IN	ASS'Y CONTROL IN	1	1	SA
5-1	DB61-02706A	BASE CONTROL	ABS,V0	1	1	SNA
5-2	DB61-02501A	TIE MOUNTS	NYLON66	2	2	SNA
5-3	DB61-02700A	BRACKET EARTH WIRE	SGCC-M	1	1	SNA
5-4	DB65-00029M	TERMINAL BLOCK 4P	ASS'Y ,6P	1	1	SNA
5-5	DB65-00029X	TERMINAL BLOCK 6P	ASS'Y ,4P	1	1	SNA
5-6	DB61-02765A	HOLDER SENSOR	PP	1	1	SNA
5-7	6501-001052	REUSABLE CABLE TIES	NYLON66	2	2	SNA
6	DB94-01062A	ASS'Y CUSHION DRAIN	ASS'Y,EPS,V0	1	1	SNA
7	DB61-01783A	BRACKET WASHER FAN	SGCC-M	1	1	SA
8	DB67-00682A	ASS'Y FAN TURBO	ABS+GF10%	1	1	SA
9	DB64-01562A	CABI SIDE	SGCC-M	2	2	SA
10	DB90-02692A	ASS'Y COVER SIDE	ASS'Y	1	1	SA
11	DB90-02690A	ASS'Y CABI FRONT	ASS'Y,SGCC-M	1	1	SA
12	DB90-01950B	ASS'Y COVER DRAIN PUMP	ASS'Y	1	1	SA
13	DB90-02693A	ASS'Y HOSE DRAIN	ASS'Y	1	1	SA
14	DB61-02701A	HOLDER EVAP	STS301	2	2	SA
15	DB96-06677A	ASS'Y EVAP UNIT	ASS'Y	-	1	SA
	DB96-06707A	ASS'Y EVAP UNIT	ASS'Y	1	-	SA
16	DB90-02688A	ASS'Y CABI BACK	ASS'Y,SGCC-M	1	1	SA
17	DB97-02090B	SCREW PUMP	M5X30	3	3	SA
18	DB94-01381A	ASS'Y DRAIN PUMP	ASS'Y	1	1	SA
18-1	DB34-00063A	SWITCH FLOAT	ASS'Y	1	1	SNA
18-2	DB73-00345A	RUBBER PUMP	NBR	3	3	SNA
18-3	DB61-02709A	BRACKET DRAIN PUMP	SGCC-M	1	1	SNA
18-4	DB67-00790A	DRAIN PUMP	ASS'Y	1	1	SNA
19	DB61-02349A	CLIP BRUSH	NYLON 66	4	4	SNA
20	DB90-02693A	ASS'Y CUSHION BASE	ASS'Y,EPS,V0	1	1	SA
21	DB31-00538A	MOTOR INDOOR	BLDC	1	1	SA
22	DB94-01059A	ASS'Y BRACKET MOTOR	ASS'Y	-	-	SA
23	DB93-07219A	CONNECT MOTOR FAN SUB	ASS'Y	1	1	SA
24	DB32-00169A	THERMISTOR IN	ASS'Y	1	1	SA
25	DB32-00141B	THERMISTOR EVAP	ASS'Y	1	1	SA
26	DB94-01078A	ASS'Y DRAIN HOSE	ASS'Y	1	1	SA
27	DB90-02689A	ASS'Y CABI BASE	ASS'Y,SGCC-M	1	1	SNA

MEMO

4 way cassette type(cont.)

■ Panel

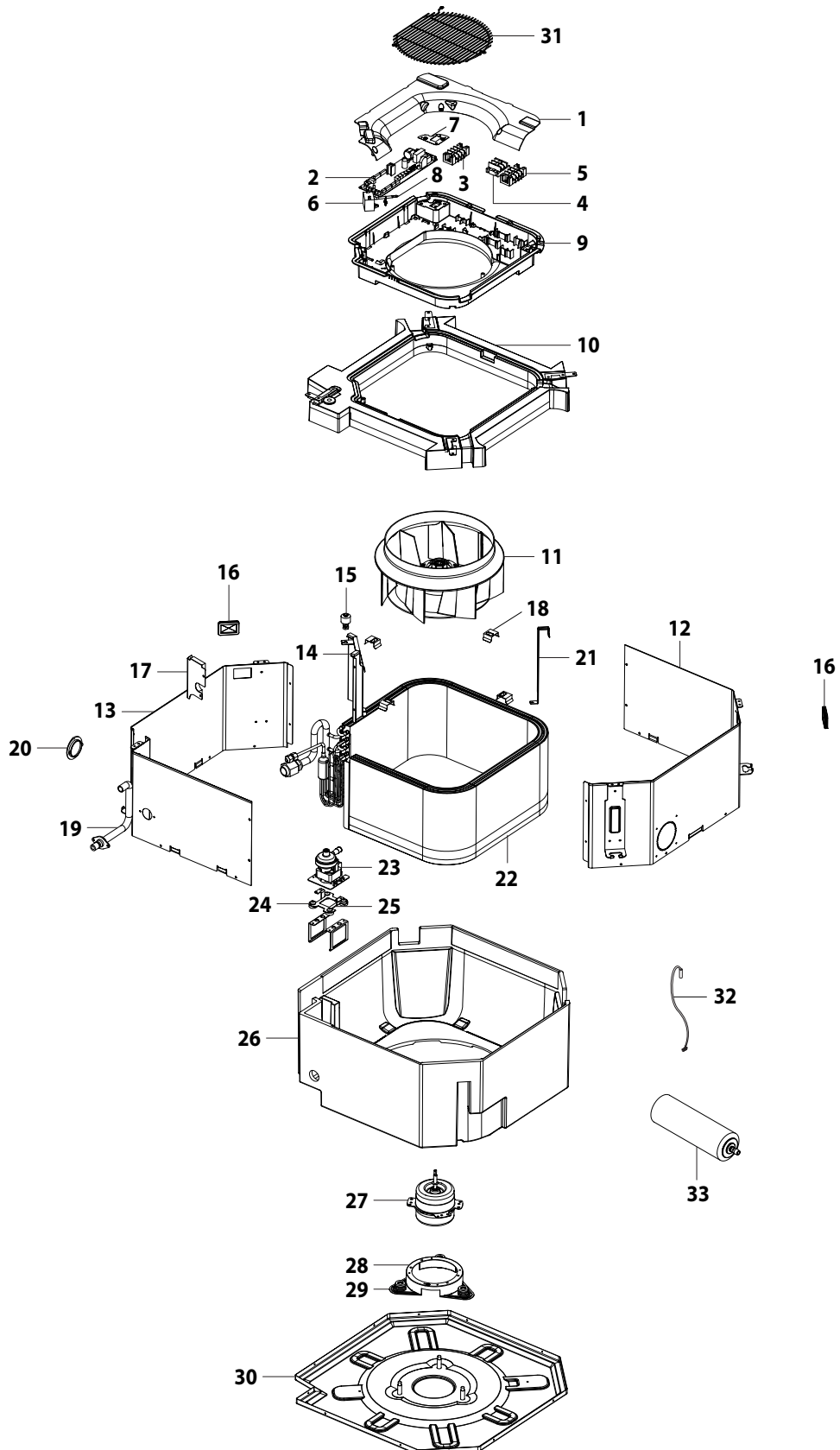


■ Parts List

No.	Code No.	Description	Specification	Q'TY	SA/SNA
1	DB64-01564B	PANEL FRONT	HF ABS(Korea)	1	SA
2	DB66-01102B	BLADE	PBT+20%GF(Korea)	4	SA
3	DB64-01565B	GRILLE AIR INLET	HF ABS(Korea)	1	SA
4	DB63-01491A	FILTER AIR	P.P(BLK)+40%	1	SNA
5	DB64-01566B	KNOB SLIDE A	HF ABS(Korea)	1	SA
6	DB64-01567B	KNOB SLIDE B	HF ABS(Korea)	1	SA
7	DB61-02714A	SPRING KNOB	STS304,T0.5	2	SNA
8	DB63-01483A	COVER KNOB	HIPS	2	SNA
9	DB63-01484B	CORNER COVER	HF ABS(Korea)	3	SA
10	DB63-01485B	CORNER COVER PCB	HF ABS(Korea)	1	SA
11	DB63-01500A	COVER PCB	HIPS	1	SNA
12	DB66-01103A	LINK MOTOR A	POM	1	SNA
13	DB66-01104A	LINK MOTOR B	POM	1	SNA
14	DB61-02711A	HOLDER LINK BLADE	ABS(BLK)	8	SNA
15	DB66-01105A	LINK BLADE	POM	7	SNA
16	DB66-01106A	LINK UNIVERSAL JOINT	POM	2	SNA
17	DB66-01107A	JOINT UNIVERSAL	POM	5	SNA
18	DB63-01486A	COVER SIDE A	HIPS(BLK)	1	SNA
19	DB63-01487A	COVER SIDE B	HIPS(BLK)	1	SNA
20	DB63-01488A	COVER SIDE C	HIPS(BLK)	1	SNA
21	DB63-01489A	COVER SIDE D	HIPS(BLK)	1	SNA
22	DB64-01558A	INLAY PCB	PC	1	SNA
23	DB64-01559A	BUTTON PCB	ABS	1	SNA
24	DB69-01419A	CUSHION IN	EPS,25	4	SNA
25	DB69-01420A	CUSHION OUT	EPS,25	4	SNA
26	DB61-02704A	BRACKET STEPPING MOTOR	SGCC-M,T1.0	2	SNA
27	DB61-02705A	PLATE HANGER	STS304,T0.5	2	SNA
28	DB93-04220A	ASS'Y PCB DISPLAY	ASS'Y	1	SNA

5-1-4 Mini 4 way cassette type

■ Body

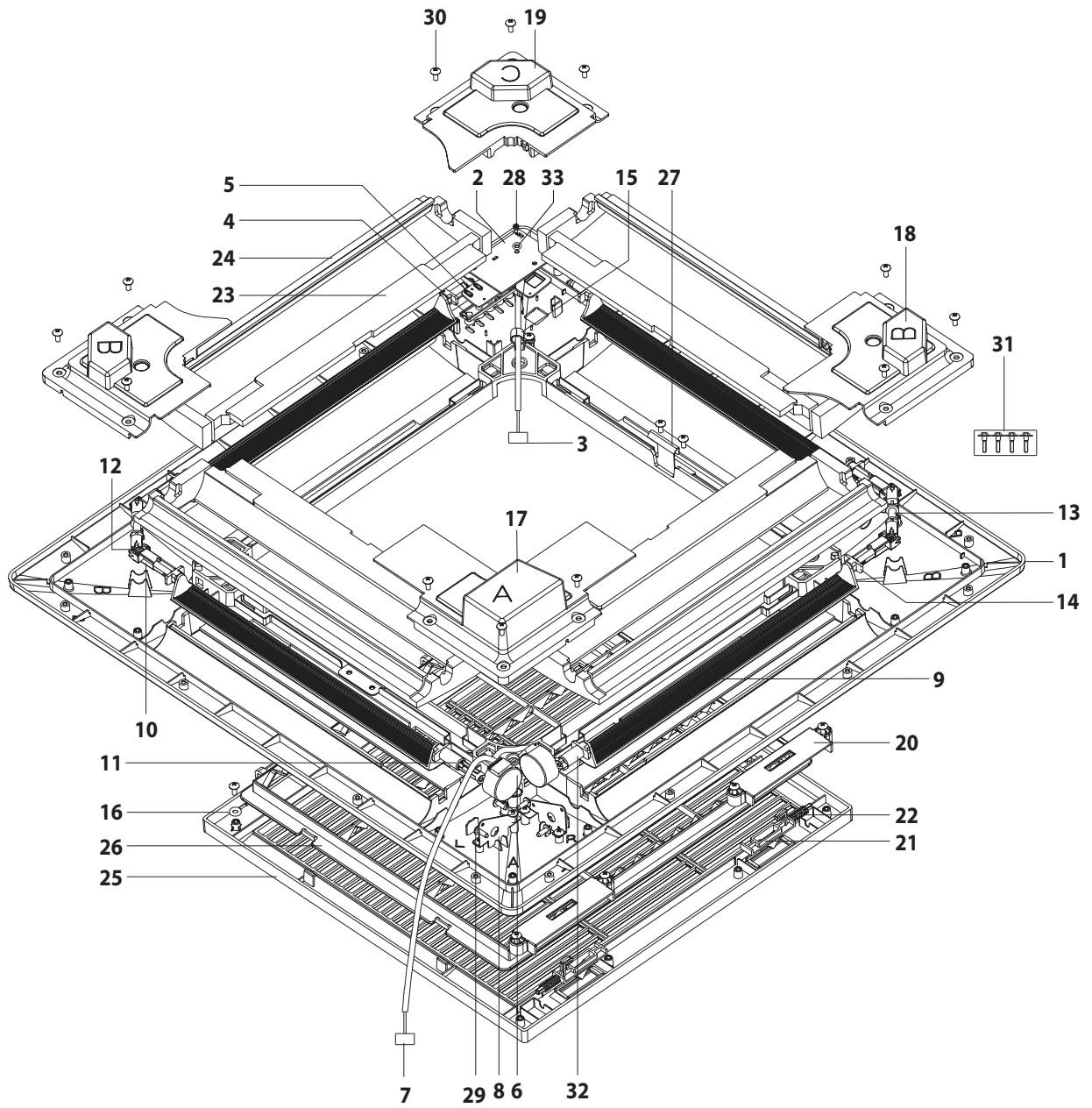


■ Parts List

No.	Code No.	Description	Specification	Q'TY			SA/SNA
				AVXCMH028E* AVXCMH036E*	AVXCMH056E*	AVXCMH060E*	
1	DB63-01367A	COVER CONTROL	ABS(V0),T2.0	1	1	1	SNA
2	DB93-04122D	ASS'Y PCB MAIN	MINI 4WAY CASSETTE	1	1	1	SNA
3	DB65-00029M	TERMINAL BLOCK 4P	1(L),2(N),Vc,Vc	1	1	1	SA
4	DB65-00182A	TERMINAL BLOCK 2P	F1,F2	1	1	1	SA
5	DB65-00029Z	TERMINAL BLOCK 4P	V1,V2,F3,F4	1	1	1	SA
6	2301-001378	C-FILM,LEAD-OTHER	450VAC,3.5uF	1	1	1	SA
7	DB61-02499A	BRACKET EARTH WIRE	SGCC-M,T1.0	1	1	1	SA
8	DB32-00067D	THERMISTOR WIRE IN	103AT,-20~100pC	1	1	1	SA
9	DB61-02486A	PCB BASE CONTROL	ABS(V0),T2.0	1	1	1	SNA
10	DB94-00826A	ASS'Y DRAIN PAN	MINI 4WAY CASSETTE	1	1	1	SA
11	DB94-00812A	ASS'Y FAN TURBO	SAN+GF20%	1	1	1	SA
12	DB90-02221A	ASS'Y CABI SIDE A	MINI 4WAY CASSETTE	1	1	1	SA
13	DB90-02220A	ASS'Y CABI SIDE B	MINI 4WAY CASSETTE	1	1	1	SA
14	DB94-00847B	ASS'Y PARTITION	MINI 4WAY CASSETTE	1	1	1	SA
15	DB95-00131K	ASS'Y SENSOR FLOAT	250mm,MINI 4WAY CASSETTE	1	1	1	SA
16	DB73-00307A	RUBBER WIRE HOLE	NBR,52.1	2	2	2	SNA
17	DB90-02225A	ASS'Y COVER PIPE	MINI 4WAY CASSETTE	1	1	1	SA
18	DB61-02527A	HOLDER EVAP	STS304,T0.7	4	4	4	SA
19	DB94-00846A	ASS'Y DRAIN HOSE	MINI 4WAY CASSETTE	1	1	1	SA
20	DB90-01010A	ASS'Y COVER DRAIN	CH040EZM,NEW 4WAY CASSETTE	1	1	1	SNA
21	DB61-02490A	GUIDE EVAP	STS304,T0.7	1	1	1	SA
22	DB96-05354D	ASS'Y EVAP UNIT	MINI 4WAY CASSETTE	1	1	1	SNA
23	DB31-00303A	PUMP DRAIN	FUJIKOKI,220V 50Hz,60Hz	1	1	1	SA
24	DB73-00022C	RUBBER PUMP	EPDM+BUTYL,40~45p	4	4	4	SNA
25	DB61-02492A	BRACKET PUMP	SGCC-M,T1.5	1	1	1	SA
26	DB90-02223A	ASS'Y BASE CUSHION	MINI 4WAY CASSETTE	1	1	1	SA
27	DB31-00305C	MOTOR FAN	ASS035WTVA,4WAYMINI-PJT,50Hz	1	1	1	SA
28	DB61-02495A	BRACKET MOTOR IN	SGCC-M,T1.2	1	1	1	SA
29	DB63-01407A	GROMMET MOTOR	NR,35p	3	3	3	SA
30	DB90-02222A	ASS'Y CABI BASE	MINI 4WAY CASSETTE	1	1	1	SA
31	DB63-01372A	GUARD SAFETY	HSWR,T2.5	1	1	1	SA
32	DB32-00066E	THERMISTOR EVAP IN	300mm,MINI 4WAY CASSETTE	1	1	1	SA
33	DB94-01287D	ASS'Y DRAIN HOSE INSTALL	MINI 4WAY CASSETTE	1	1	1	SNA

Mini 4 way cassette type(cont.)

■ Panel

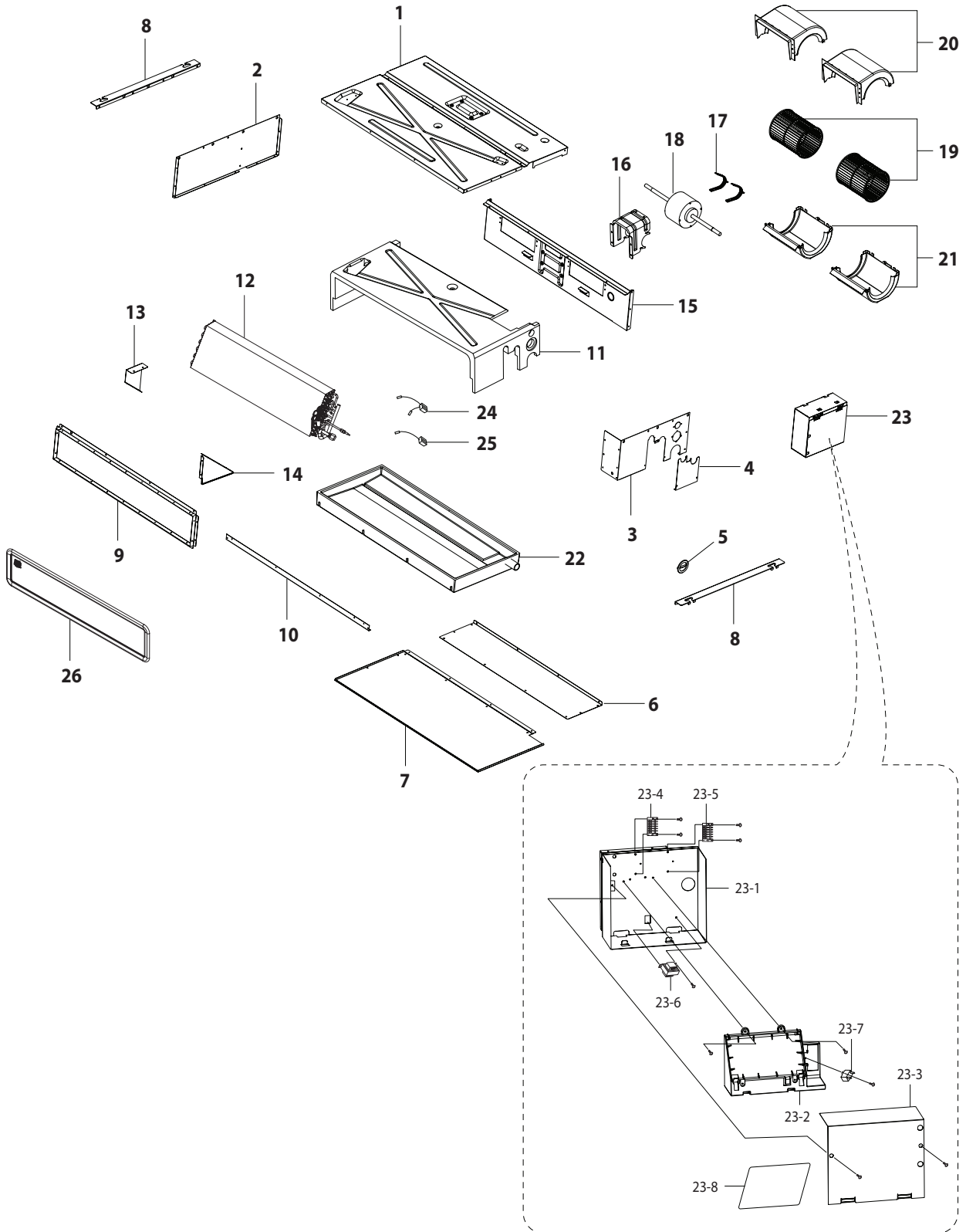


■ Parts List

No.	Code No.	Description	Specification	Q'TY	SA/SNA
				PMSMA	
1	DB64-01421A	PANEL-FRONT	ABS,T3.0,WHT	1	SA
2	DB93-02803A	ASS'Y PCB MAIN	ASS'Y	1	SA
3	DB39-00082E	CONNECT	WIRE-DISPLAY PCB L990mm	1	SA
4	DB64-01422A	BUTTON-PCB	ABS,BLK	1	SA
5	DB64-01424A	INLAY-PCB	PC,WHT	1	SA
6	DB31-00370A	MOTOR	STEPPING 35BYJ46-276,800g·cm,12V	2	SA
7	DB39-00542E	CONNECT	WIRE-STEP MOTOR I320mm	1	SA
8	DB61-02485B	BRACKET	MOTOR-PANEL SGCC-M,T0.8	2	SA
9	DB66-01008A	BLADE-H	PBT/ABS,T3.5	4	SA
10	DB61-01871A	CONNECTOR-BLADE	POM,NTR	4	SA
11	DB61-02480A	CONNECTOR-MOTOR A	POM,NTR	1	SA
12	DB66-00756A	JOINT UNIVERSAL	POM,NTR	4	SA
13	DB66-01009A	LINK-BLADE	POM,NTR	2	SA
14	DB61-02488A	BUSH-MINI	POM,NTR	8	SA
15	DB65-10074D	CLAMP-CABLE	DA-4N	2	SA
16	DB65-00023A	CLIP-WIRE-ASS'Y	L130mm	1	SA
17	DB63-01364A	COVER-A	ABS(V0),BLK	1	SA
18	DB63-01366A	COVER-B	ABS(V1),BLK	2	SA
19	DB63-01377A	COVER-C	ABS(V2),BLK	1	SA
20	DB63-01036A	COVER-KNOB	HIPS,UL94-HB,WHT	2	SA
21	DB64-01145A	KNOB-SLIDE	HIPS,94HB,HG-0760,WHT	2	SA
22	DB67-00030A	SPRING-KNOB	STS304,T0.5	2	SA
23	DB69-01269A	CUSHION-IN	EPS,30	4	SA
24	DB69-01270A	CUSHION-OUT	EPS,30	4	SA
25	DB64-01420A	GRILLE-AIR	INLET ABS,WHT	1	SA
26	DB63-01423A	FILTER-PRE	MINI PP,BLK,ANTI BACTERIAL FILTER	1	SA
27	DB70-00302A	PLATE-HANGER	STS304,T0.5	2	SA
28	6002-000534	SCREW-TAPPING	PH,2S,M3,L8,ZPC(BLK),SWRCH18A	1	SNA
29	6002-000536	SCREW-TAPPING	PH,2S,M4,ZPC(YEL)	4	SNA
30	6002-001079	SCREW-TAPPING	TH,2S,M4,L10	27	SNA
31	6011-001493	BOLT-HEX	M6,L10,ZPC(YEL),SWRM18A	4	SA
32	DB61-02480B	CONNECTOR-MOTOR B	POM,NATURAL	1	SA
33	-	WASHER	-	1	SNA

5-1-5 Duct type(Slim I)

■ AVXDSH022/028/036E*

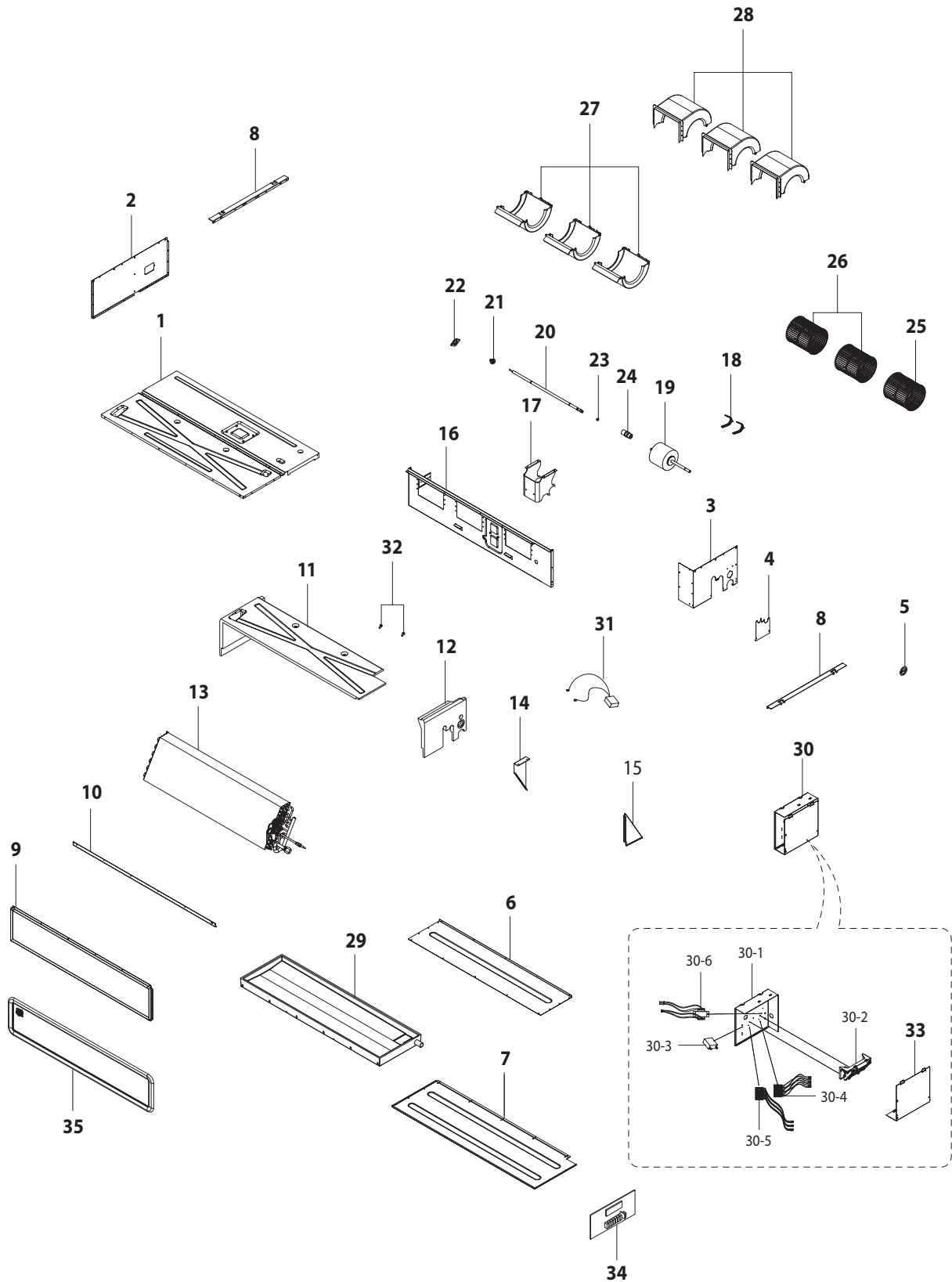


■ Parts List

No.	Code No.	Description	Specification	Q'TY			SA/SNA
				AVXDSH022E*	AVXDSH028E*	AVXDSH036E*	
1	DB90-02014A	ASS'Y CABI BASE	ASS'Y	1	1	1	SA
2	DB90-03262A	ASS'Y CABI SIDE LF	ASS'Y	1	1	1	SA
3	DB90-01951A	ASS'Y CABI SIDE RH	ASS'Y	1	1	1	SA
4	DB90-01938A	ASS'Y COVER PIPE	ASS'Y	1	1	1	SA
5	DB90-01950A	ASS'Y COVER DRAIN PUMP	ABS T2.0	1	1	1	SA
6	DB64-01326A	CABI TOP MOTOR	SGCC-M, T0.8	1	1	1	SA
7	DB90-02069D	ASS'Y CABI TOP EVAP	ASS'Y	1	1	1	SA
8	DB61-02274A	PLATE HANGER	SGCC-M, T2.0	2	2	2	SA
9	DB94-00712A	ASS'Y BRACKET OUTLET	ASS'Y	1	1	1	SA
10	DB61-02277A	BRACKET OUTLET SUB	SGCC-M, T0.8	1	1	1	SA
11	DB97-03791A	ASS'Y CUSHION BASE	ASS'Y	1	1	1	SNA
12	DB96-05330C	ASS'Y EVAP UNIT	ASS'Y	1	1	1	SA
13	DB90-01978A	ASS'Y SUPPORT EVAP LF	ASS'Y	1	1	1	SA
14	DB90-01946A	ASS'Y SUPPORT EVAP RH	ASS'Y	1	1	1	SA
15	DB94-00768A	ASS'Y PARTITION	ASS'Y	1	1	1	SA
16	DB61-02282A	BRACKET MOTOR	SGCC-M T2.0	1	1	1	SA
17	DB99-00669A	BAND MOTOR	SINYA	4	4	4	SA
18	DB31-00312A	MOTOR	SINYA, SSR, PID	1	1	1	SA
19	DB67-00565A	BLOWER	ASS'Y, ABS, TORSIONAL BUSH	2	2	2	SA
20	DB90-01947A	ASS'Y CASE BLOWER UPPER	ASS'Y	2	2	2	SA
21	DB90-01948A	ASS'Y CASE BLOWER BOTTOM	ASS'Y	2	2	2	SA
22	DB94-01007B	ASS'Y DRAIN PAN	ASS'Y	1	1	1	SNA
23	DB93-03321K	ASS'Y CONTROL IN	ASS'Y	1	1	1	SA
23-1	DB90-01941B	ASS'Y CASE CONTROL	ASS'Y	1	1	1	SA
23-2	DB61-02287A	CASE PCB	ABS T2.5	1	1	1	SA
23-3	DB63-01237A	COVER CONTROL	SGCC-M T0.5	1	1	1	SA
23-4	DB65-00105L	TERMINAL BLOCK 6P	6P, POWER	1	1	1	SNA
23-5	DB65-00105M	TERMINAL BLOCK 6P	6P, COMMUNICATION	1	1	1	SNA
23-6	DB26-00080A	TRANS POWER	230V, 50HZ	1	1	1	SA
23-7	2301-001370	CAPACITOR	450V 1.5 μ F	1	1	1	SA
23-8	DB93-05959J	ASS'Y PCB MAIN	ASS'Y	1	1	1	SA
24	DB32-00142A	ASS'Y THERMISTOR	ASS'Y	1	1	1	SA
25	DB32-00141A	THERMISTOR EVAP	ASS'Y	1	1	1	SA
26	DB63-01299E	ASS'Y FILTER	ASS'Y	1	1	1	SA

5-1-6 Duct type(Slim II)

■ AVXD5H045/056/071E*

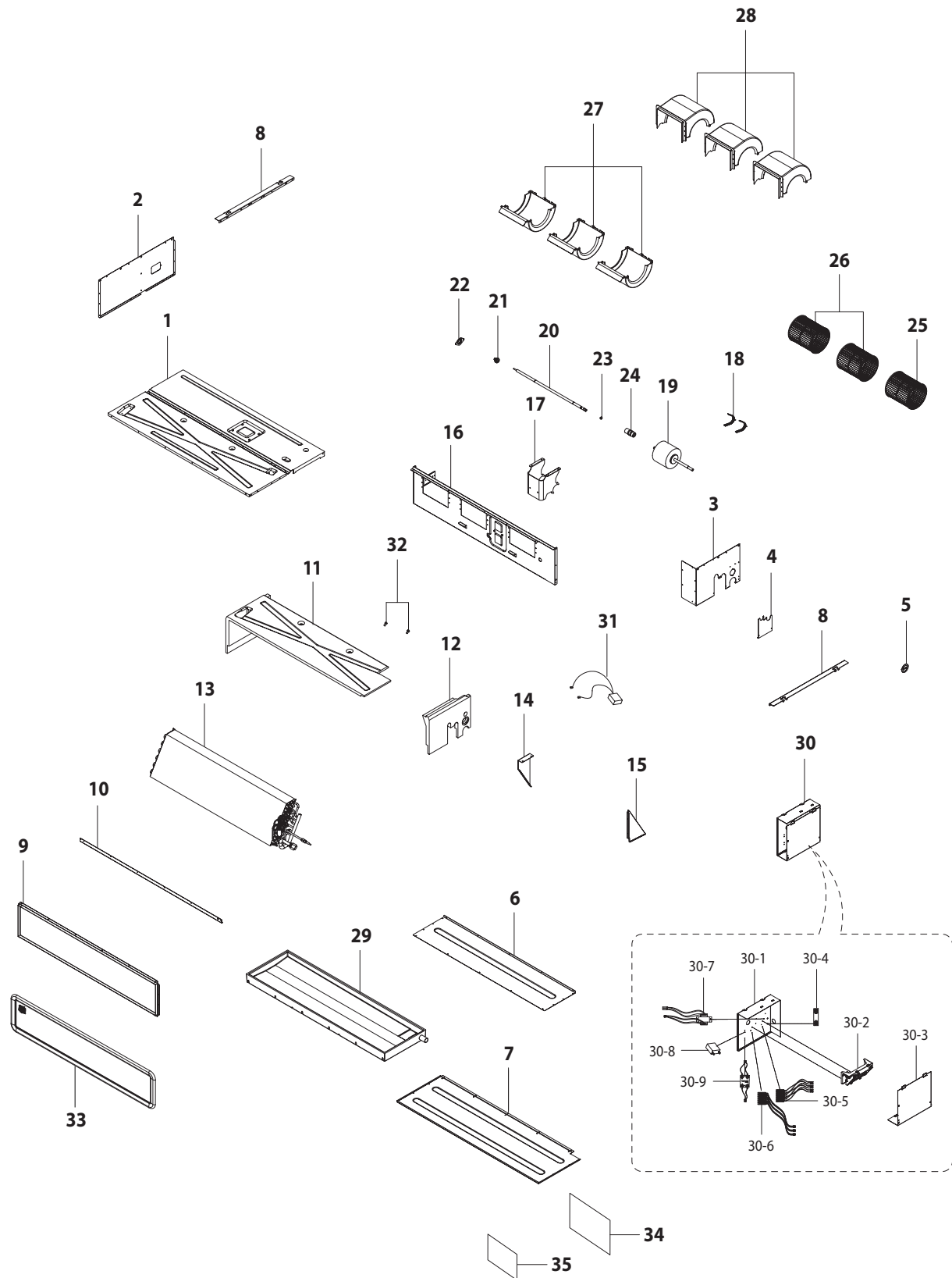


■ Parts List

No.	Code No.	Description	Specification	Q'TY		SA/SNA
				AVXDSH045E* AVXDSH056E*	AVXC2H071E*	
1	DB90-02160A	ASS'Y CABI BASE	SGCC-M T0.8	1	1	SA
2	DB90-03262B	ASS'Y CABI SIDE LF	SGCC-M T0.8	1	1	SA
3	DB90-01951A	ASS'Y CABI SIDE RH	SGCC-M T0.8	1	1	SA
4	DB90-01938A	ASS'Y COVER PIPE	SGCC-M T0.5	1	1	SA
5	DB90-01950A	ASS'Y COVER DRAIN PUMP	SLIM DUCT	1	1	SA
6	DB64-01345A	CABI TOP MOTOR	SGCC-M,T0.8	1	1	SA
7	DB90-02161B	ASS'Y CABI TOP EVAP	SGCC-M,T0.8	1	1	SA
8	DB61-02274A	PLATER HANGER	SGCC-M,T2.0	2	2	SA
9	DB97-03796A	ASS'Y BRACKET OUTLET	SGCC-M,T0.8	1	1	SA
10	DB61-02322A	BRACKET OUTLET SUB	SGCC-M,T0.8	1	1	SA
11	DB97-03792A	ASS'Y CUSHION BASE A	EPS 25	1	1	SNA
12	DB97-03791A	ASS'Y CUSHION BASE B	EPS 25	1	1	SNA
13	DB96-05785B	ASS'Y EVAP UNIT	ASS'Y	1	-	SA
	DB96-05785A	ASS'Y EVAP UNIT	ASS'Y	-	1	SA
14	DB90-01978A	ASS'Y SUPPORT EVAP LF	SGCC-M,T0.8	1	1	SA
15	DB90-01946A	ASS'Y SUPPORT EVAP RH	SGCC-M,T0.8	1	1	SA
16	DB94-00809A	ASS'Y PARTITION	SGCC-M,T1.0	1	1	SA
17	DB61-02282A	BRACKET MOTOR	SGCC-M,T2.0	1	1	SA
18	DB97-03800A	BAND MOTOR	SINYA	1	1	SA
19	DB31-00314C	MOTOR	SINYA,60Hz	1	1	SA
20	DB66-01007A	MOTOR SHAFT	SINYA	1	1	SNA
21	DB94-00759A	MOLD BEARING	ASS'Y	1	1	SA
22	DB67-00581A	CAP BEARING	SGCC-M,T0.8	1	1	SNA
23	DB73-00285A	RUBBER SHAFT	CR V0	1	1	SNA
24	DB96-04902A	COUPLER	ASS'Y	1	1	SA
25	DB67-00565A	BLOWER A	ASS'Y,ABS	1	1	SA
26	DB67-00576A	BLOWER B	ASS'Y,ABS	2	2	SA
27	DB90-01947A	ASS'Y CASE BLOWER UPPER	ASS'Y ABS	3	3	SA
28	DB90-01948A	ASS'Y CASE BLOWER BOTTOM	ASS'Y ABS	3	3	SA
29	DB94-01007A	ASS'Y DRAIN	ASS'Y	1	1	SNA
30	DB93-03321E	ASS'Y CONTROL PART	ASS'Y	1	1	SA
30-1	DB90-01941A	ASS'Y CASE CONTROL	ASS'Y	1	1	SA
30-2	DB61-02287A	CASE PCB	ABS V0,T2.5,-----	1	1	SA
30-3	2301-001379	CAPACITOR	450V,4uF	1	1	SA
30-4	DB65-00105L	TERMINAL BLOCK 6P	6P,POWER	1	1	SNA
30-5	DB65-00105M	TERMINAL BLOCK 6P	6P,COMMUNICATION	1	1	SNA
30-6	DB26-10070G	TRANS POWER	60Hz	1	1	SNA
31	DB32-00142A	ASS'Y THERMISTOR	ASS'Y	1	1	SA
32	DB61-02349A	CLIP BRUSH	NYLON66,BLACK	2	2	SNA
33	DB90-02101A	ASS'Y COVER CONTROL	ASS'Y	1	1	SA
34	DB93-05959J	ASS'Y PCB	ASS'Y	1	1	SA
35	DB63-01299C	FILTER	ASS'Y	1	1	SA

5-1-7 Duct type(Slim III)

■ AVXDSH090/112/128/140E*

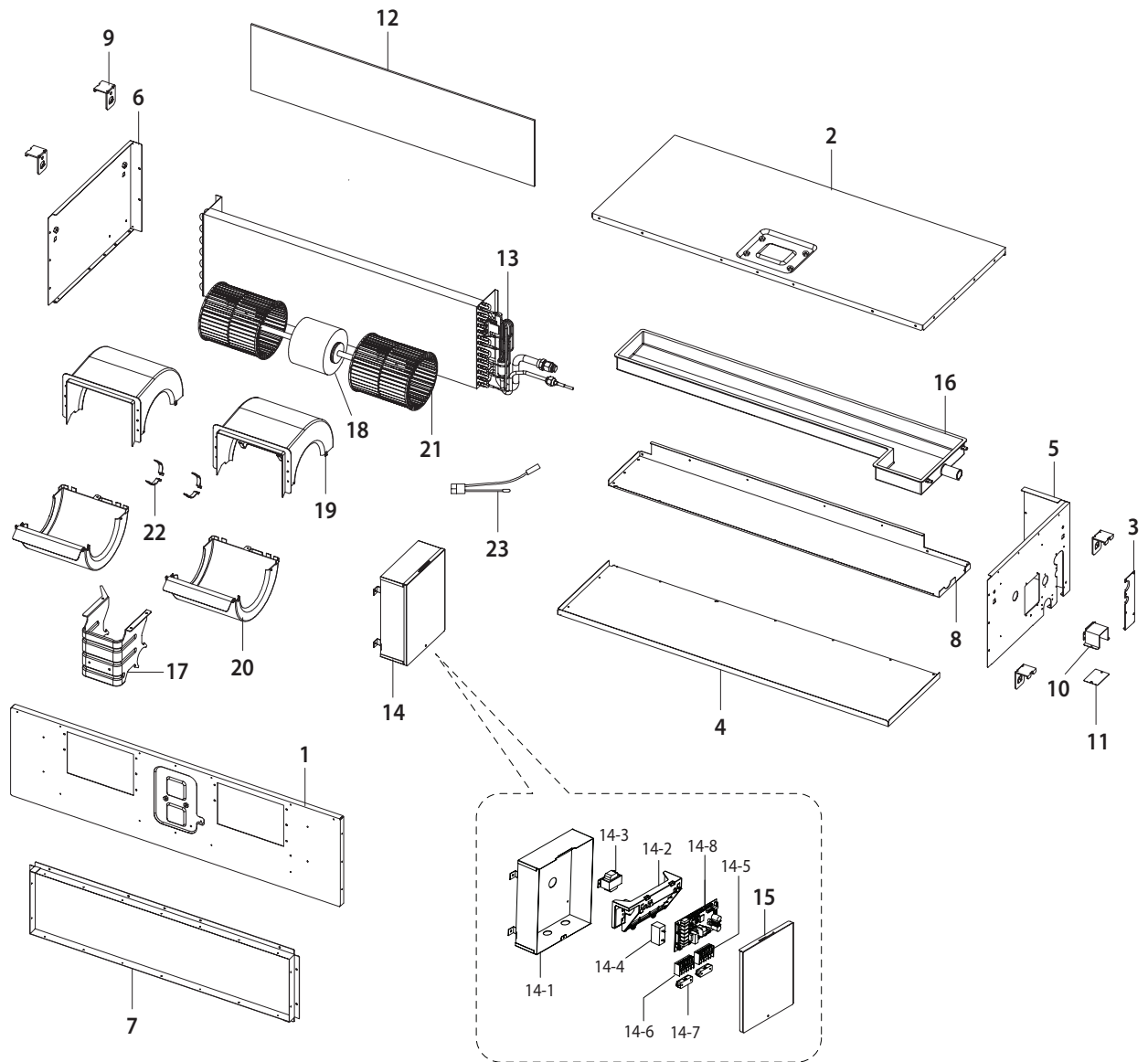


■ Parts List

No.	Code No.	Description	Specification	Q'TY		SA/SNA
				AVXDSH090E* AVXDSH112E*	AVXDSH128E* AVXDSH140E*	
1	DB90-02088A	ASS'Y CABI BASE	SGCC-M,T0.8	1	1	SA
2	DB64-03249A	ASS'Y CABI SIDE LF	SGCC-M,T0.8	1	1	SA
3	DB90-02087A	ASS'Y CABI SIDE RH	SGCC-M,T0.8	1	1	SA
4	DB90-01938A	ASS'Y COVER PIPE	SGCC-M,T0.8	1	1	SA
5	DB90-01950A	ASS'Y COVER DRAIN PUMP	SLIM DUCT	1	1	SA
6	DB64-01351A	CABI TOP MOTOR	SGCC-M,T0.8	1	1	SA
7	DB90-03248A	ASS'Y CABI TOP EVAP	SGCC-M,T0.8	1	1	SA
8	DB61-02323A	PLATER HANGER	SGCC-M,T2.0	2	2	SA
9	DB90-02055A	ASS'Y BRACKET OUTLET	SGCC-M,T0.8	1	1	SA
10	DB61-02326A	BRACKET OUTLET SUB	SGCC-M,T0.8	1	1	SA
11	DB97-03748A	ASS'Y CUSHION BASE	ASS'Y	1	1	SA
12	DB97-03749A	ASS'Y CUSHION BASE RH	ASS'Y	1	1	SA
13	DB96-05867A	ASS'Y EVAP UNIT	ASS'Y	1	-	SA
	DB96-05868A	ASS'Y EVAP UNIT	ASS'Y	-	1	SA
14	DB97-03747A	ASS'Y SUPPORT EVAP LF	ASS'Y	1	1	SA
15	DB97-03746A	ASS'Y SUPPORT EVAP RH	ASS'Y	1	1	SA
16	DB94-00785A	ASS'Y PARTITION	ASS'Y	1	1	SA
17	DB61-02331A	BRACKET MOTOR	SGCC-M,T2.5	1	1	SA
18	DB97-03751A	BAND MOTOR	SINYA	1	1	SA
19	DB31-00427A	MOTOR	SINYA,SSR	1	1	SA
20	DB81-00617A	MOTOR SHAFT	SINYA	1	1	SA
21	DB94-00759A	MOLD BEARING	ASS'Y	1	1	SA
22	DB67-00581A	CAP BEARING	SGCC-M,T0.8	1	1	SA
23	DB73-00285A	RUBBER SHAFT	CR V0	1	1	SA
24	DB96-04902A	COUPLER	ASS'Y	1	1	SA
25	DB67-00583A	BLOWER A	ASS'Y	1	1	SA
26	DB67-00583B	BLOWER B	ASS'Y	2	2	SA
27	DB90-02085A	ASS'Y CASE BLOWER UPPER	ASS'Y	3	3	SA
28	DB90-02084A	ASS'Y CASE BLOWER BOTTOM	ASS'Y	3	3	SA
29	DB94-01028A	ASS'Y DRAIN PAN	ASS'Y	1	1	SA
30	DB93-04867A	ASS'Y CONTROL IN	ASS'Y	1	1	SA
30-1	DB90-02054A	ASS'Y CASE CONTROL	ASS'Y	1	1	SA
30-2	DB61-02287A	CASE PCB	ABS V0,T2.5	1	1	SA
30-3	DB90-02101B	ASS'Y COVER CONTROL	ASS'Y	1	1	SA
30-4	DB61-40291A	HOLDER WIRE	PP BLACK	1	1	SA
30-5	DB65-00105L	TERMINAL BLOCK 6P	6P,POWER	1	1	SA
30-6	DB65-00105M	TERMINAL BLOCK 6P	6P,COMMUNICATION	1	1	SA
30-7	DB26-00080A	TRANS POWER	230V,50Hz	1	1	SA
30-8	DB61-03122A	CASE BLDC	ABS(UL94-V5),BLK	1	1	SA
31	DB32-00142A	ASS'Y THERMISTOR	ASS'Y	1	1	SA
32	DB61-02349A	CLIP BRUSH	NYLON66,BLACK	2	2	SA
33	DB63-01299F	FILTER	ASS'Y	1	1	SA
34	DB93-05959K	ASS'Y PCB MAIN	ASS'Y	1	1	SA
35	DB93-04959A	ASS'Y PCB SUB-BLDC	ASS'Y	1	1	SA

5-1-8 Duct type(MSP)

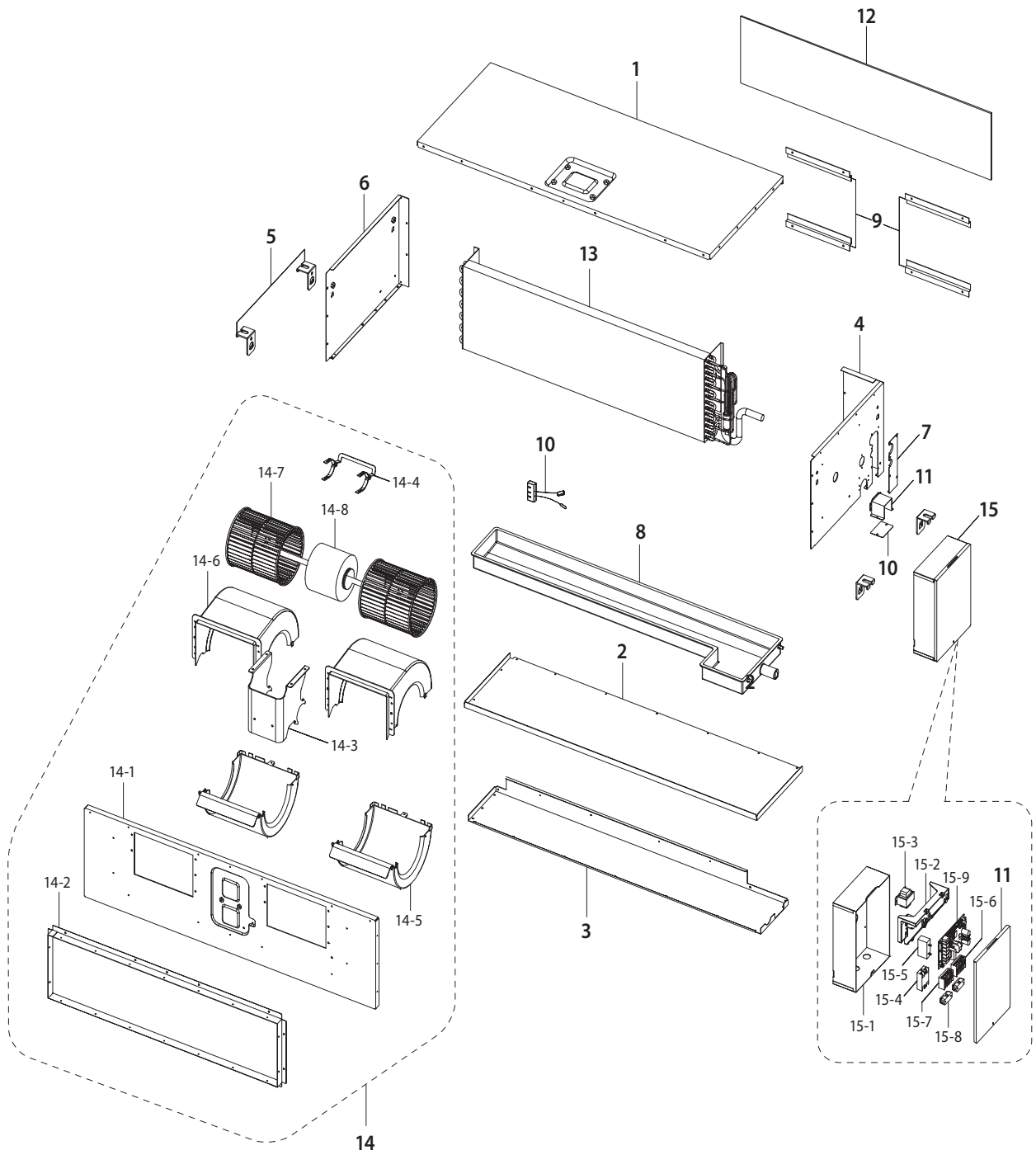
■ AVXDUH056/071E*



■ Parts List

No.	Code No.	Description	Specification	Q'TY		SA/SNA
				056	071	
1	DB90-03809A	ASS'Y CABINET FRONT	ASS'Y	1	1	SA
2	DB90-03805B	ASS'Y CABINET-TOP	ASS'Y	1	1	SA
3	DB90-02928A	ASS'Y COVER-PIPE	ASS'Y	1	1	SA
4	DB90-03807B	ASS'Y CABINET-BOTTOM BLOWER	ASS'Y	1	1	SA
5	DB90-03810A	ASS'Y CABINET-SIDE RH	ASS'Y	1	1	SA
6	DB90-02930A	ASS'Y CABINET-SIDE LF	ASS'Y	1	1	SA
7	DB90-03813A	ASS'Y BRACKET OUTLET PART	ASS'Y	1	1	SNA
8	DB91-03808A	ASS'Y CABINET BOTTOM DRAIN	ASS'Y	1	1	SA
9	DB61-01282A	HOLDER-SIDE CABI	SGCC-M, T0.8	4	4	SNA
10	DB61-02378A	HOLDER PIPE	SGCC-M, T1.0	1	1	SNA
11	DB63-01297A	COVER-HOLDER	SGCC-M, T0.8	1	1	SNA
12	DB63-01657A	FILTER-PRE	ASS'Y, T4.5, NATURE	1	1	SA
13	DB96-10906A	ASS'Y EVAP UNIT	AVXDUH071E*	-	1	SNA
	DB96-10906B	ASS'Y EVAP UNIT	AVXDUH056E*	1	-	SNA
14	DB93-03364B	ASS'Y CONTROL IN	ASS'Y	1	1	SNA
14-1	DB90-02981B	ASS'Y CASE CONTROL	ASS'Y	1	1	SA
14-2	DB61-02287A	CASE PCB	ABS V0, T2.5	1	1	SA
14-3	DB26-00080A	TRANS POWER	AC 230V, 50HZ	1	1	SA
14-4	2301-001381	C-FILM, LEAD-OTHER	8000nF, 450V, BK	1	1	SA
14-5	DB65-00105L	TERMINAL BLOCK	DAF-S6P	1	1	SA
14-6	DB65-00105M	TERMINAL BLOCK	DAF-S6P	1	1	SA
14-7	DB61-00250A	HOLDER-WIRE CLAMP	ABS, BLK, ISI, SAMLINE	2	2	SNA
14-8	DB93-05959L	ASS'Y PCB MAIN-IN	ASS'Y	1	1	SNA
15	DB63-01697A	COVER-CONTROL	SGCC-M, T0.8	1	1	SA
16	DB94-01697A	ASS'Y DRAIN PAN	ASS'Y	1	1	SA
17	DB61-03058A	BRACKET MOTOR	SGCC-M, T2.0	1	1	SA
18	DB31-00514A	MOTOR-FAN	YSK140-200-4E1	1	1	SNA
19	DB90-04047A	ASS'Y CASE BLOWER UPPER	ABS, T2.0	2	2	SA
20	DB61-03060A	CASE BLOWER BOTTOM	ABS, T2.0	2	2	SA
21	DB67-00583A	BLOWER-C	ABS	2	2	SA
22	DB97-03751A	ASS'Y BAND MOTOR	ASS'Y	1	1	SNA
23	DB32-00142B	THERMISTOR IN	10Kohm, 103AT	1	1	SA

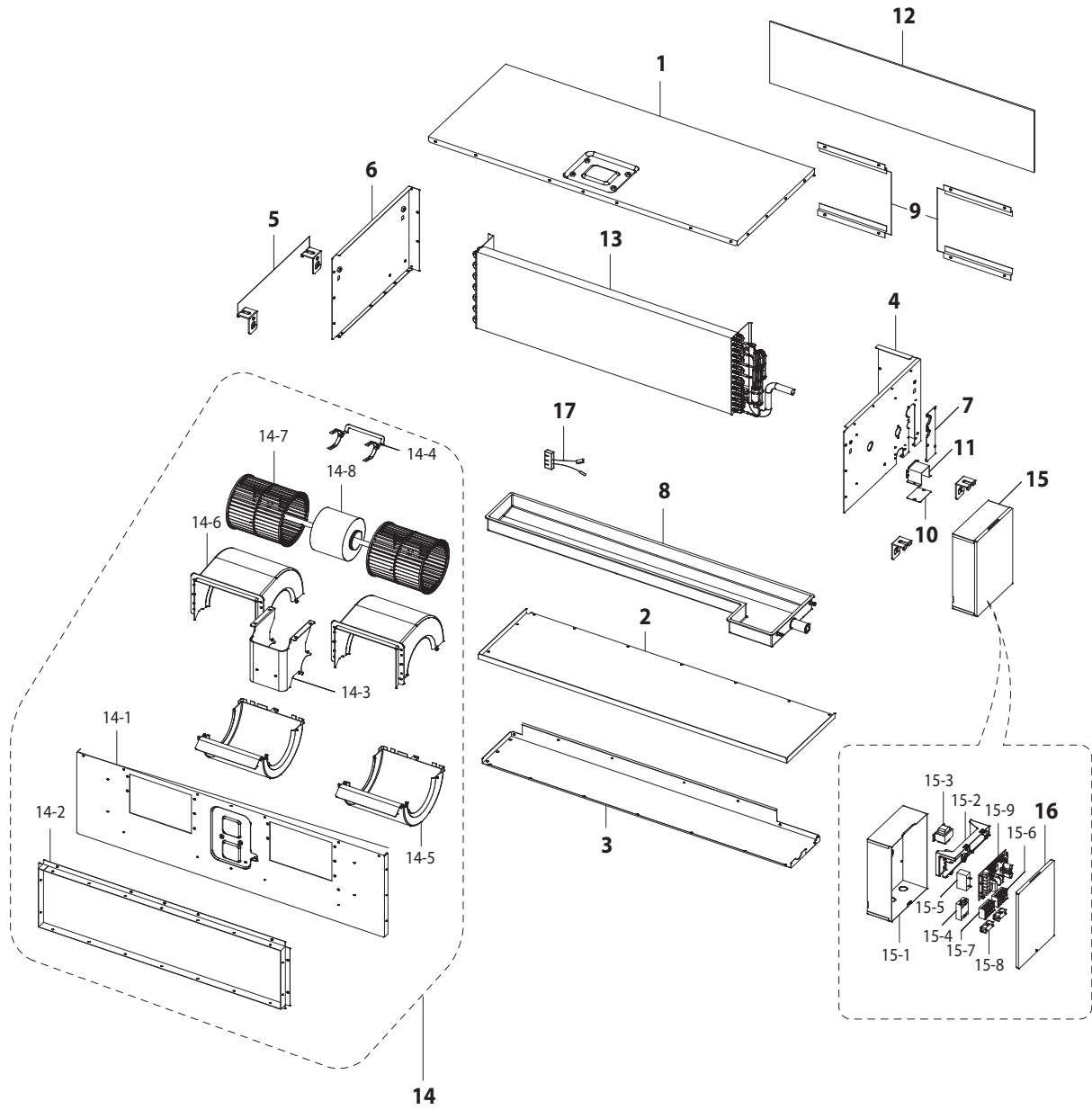
■ AVXDUH090E*



■ Parts List

No.	Code No.	Description	Specification	Q'TY	SA/SNA
1	DB90-03109A	ASS'Y CABINET-TOP	mA0 PJT, SSEC	1	SNA
2	DB90-03110A	ASS'Y CABINET-BOTTOM BLOWER	mA1, SSEC	1	SA
3	DB90-02409A	ASS'Y CABINET-BOTTOM DRAIN	mA1, SSEC	1	SA
4	DB90-02929A	ASS'Y CABINET-SIDE RH	mA0 PJT, SSEC	1	SA
5	DB61-01282A	HOLDER-SIDE CABI	ADC6000TG, SGCC-M, T3.0	4	SA
6	DB90-02930A	ASS'Y CABINET-SIDE LF	mA0 PJT, SSEC	1	SA
7	DB90-02928A	ASS'Y COVER-PIPE	mA0 PJT, SSEC	1	SA
8	DB91-00346A	ASS'Y DRAIN PAN	DH42BTA, SSEC	1	SA
9	DB61-02643A	BRACKET-FILTER	SGCC-M, T0.8	4	SA
10	DB32-00142B	THERMISTOR-IN	10Kohm, 103AT	1	SA
11	DB63-01657A	COVER-CONTROL	mA0 DUCT, SGCC-M, T0.8	1	SA
12	DB63-01657A	FILTER-PRE	ASS'Y, T4.5, NATURE	1	SA
13	DB96-10905A	ASS'Y EVAP UNIT	AVXDUH090E*	1	SA
14	DB94-01274A	ASS'Y FAN IN PARTS	H094EAMC, 220~240V	1	SA
14-1	DB90-02926A	ASS'Y CABI FRONT	mA0 PJT, SSEC	1	SA
14-2	DB90-03030A	ASS'Y-BRACKET OUTLET PART	H094EAMC, SSEC	1	SA
14-3	DB61-03058A	BRACKET-MOTOR	SGCC-M, T2.5	1	SA
14-4	DB97-03751A	ASS'Y-BAND MOTOR	SLIM DUCT 3, SSEC	1	SA
14-5	DB61-03059A	CASE BLOWER-UP	ABS+10%GF	2	SA
14-6	DB61-03060A	CASE BLOWER-LOW	ABS+10%GF	2	SA
14-7	DB67-00583B	BLOWER-D	EH140EZMC, ABS	2	SA
14-8	DB31-00355B	MOTOR-FAN	YSK140-200-4	1	SA
15	DB93-03364B	ASS'Y CONTROL IN	ASS'Y	1	SA

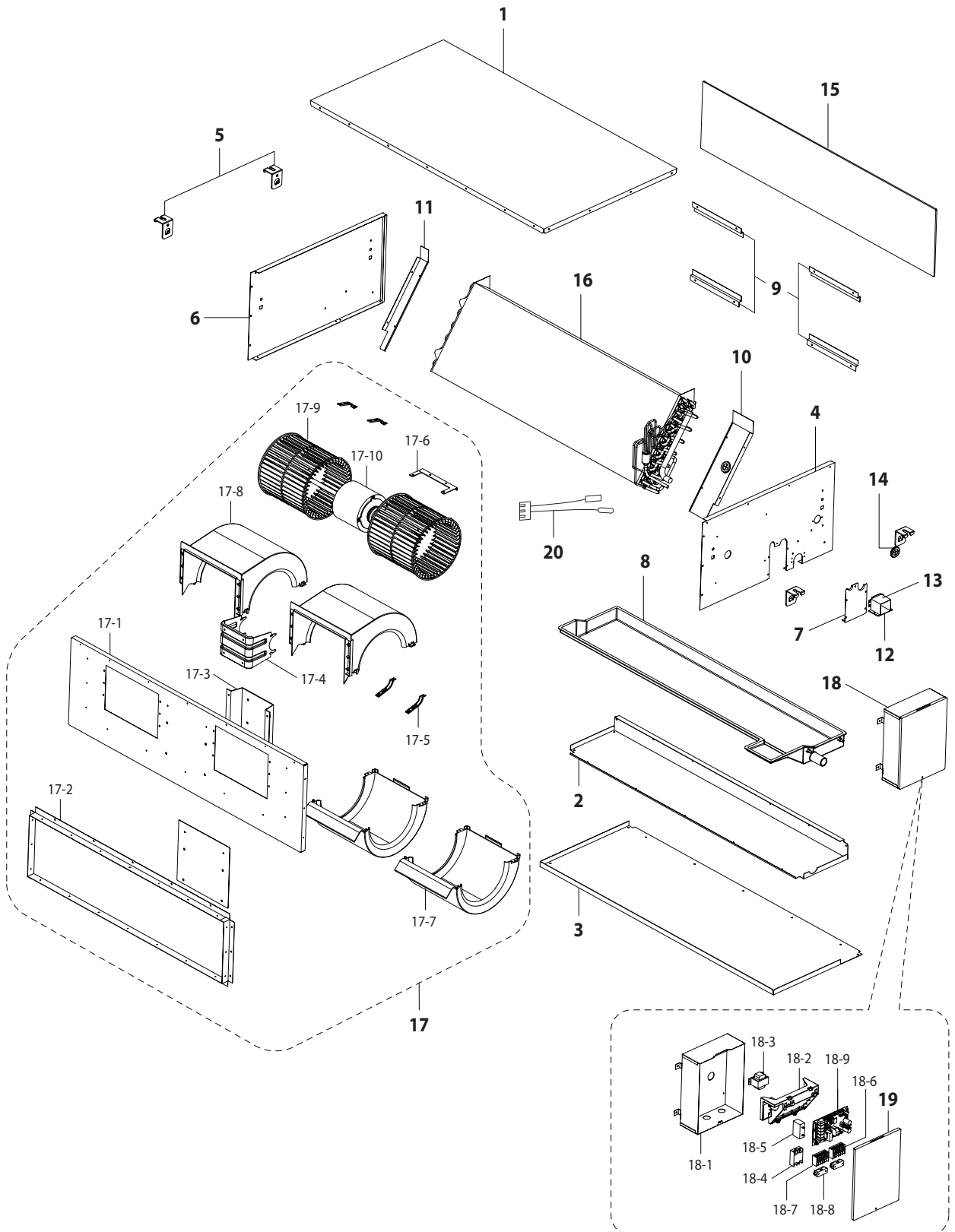
■ AVXDUH112E*



■ Parts List

No.	Code No.	Description	Specification	Q'TY	SA/SNA
1	DB90-03109A	ASS'Y CABI BASE	ASS'Y,SGCC-M,T1.0	1	SA
2	DB90-02409A	ASS'Y CABI BOTTOM DRAIN	ASS'Y,SGCC-M,T1.0	1	SA
3	DB90-03110A	ASS'Y CABI BOTTOM BLOWER	ASS'Y,SGCC-M,T1.0	1	SA
4	DB90-02406A	ASS'Y CABI SIDE RH	ASS'Y,SGCC-M,T1.0	1	SA
5	DB61-01282A	HOLDER SIDE CABI	SGCC-M,T3.0	4	SNA
6	DB90-02407A	ASS'Y CABI SIDE LF	ASS'Y,SGCC-M,T1.0	1	SA
7	DB90-02404A	ASS'Y COVER PIPE	ASS'Y,SGCC-M,T1.0	1	SA
8	DB91-00346A	ASS'Y DRAIN PAN	ASS'Y,SGCC-M,T1.0	1	SA
9	DB61-02374A	BRACKET FILTER	SGCC-M,T1.0	4	SNA
10	DB63-01297A	COVER HOLDER	SGCC-M,T1.0	1	SNA
11	DB61-02378A	HOLDER PIPE	SGCC-M,T1.0	1	SNA
12	DB63-01299B	FILTER PRE	ASS'Y	1	SA
13	DB96-07234A	ASS'Y EVAP UNIT	3R14C WAVE 1.3 OD7	1	SA
14	DB94-01691A	ASS'Y BLOWER	ASS'Y	1	SNA
14-1	DB90-02402A	ASS'Y CABI FRONT	ASS'Y,SGCC-M,T1.5	1	SNA
14-2	DB90-02408A	ASS'Y BRACKET OUTLET PART	ASS'Y,SGCC-M,T1.0	1	SA
14-3	DB61-02331A	BRACKET MOTOR	ASS'Y,SGCC-M,T2.5	1	SNA
14-4	DB72-03751A	BAND MOTOR	ASS'Y,SGCC-M,T1.6	4	SA
14-5	DB61-02333A	CASE FAN LOW	ASS'Y,ABS/GF10,T3.0	2	SA
14-6	DB61-02332A	CASE FAN UP	ASS'Y,ABS/GF10,T3.0	2	SA
14-7	DB67-00583B	BLOWER	ASS'Y,ABS/GF10,OD230	2	SA
14-8	DB31-00355B	MOTOR FAN	YSK140-200-4A	1	SA
15	DB93-03364B	ASS'Y CONTROL IN	ASS'Y	1	SA
15-1	DB90-01992A	ASS'Y CASE CONTROL	ASS'Y,SGCC-M T1.0	1	SNA
15-2	DB61-02287A	CASE PCB	ABS V0	1	SA
15-3	DB26-10070G	TRANS POWER	DC17V	1	SNA
15-4	3502-001027	SSR	OMRON G3NA-210BPL	1	SNA
15-5	2301-001381	C-FILM, LEAD-OTHER	8uF,450VAC	1	SA
15-6	DB65-00105M	TERMINAL BLOCK 6P	250V,20A	1	SNA
15-7	DB65-00105L	TERMINAL BLOCK 6P	250V,20A	1	SNA
15-8	DB61-00250A	HOLDER-WIRE CLAMP	NYLON	2	SNA
15-9	DB93-05959L	ASS'Y PCB MAIN	ASS'Y	1	SA
16	DB63-01296A	COVER CONTROL	ASS'Y,SGCC-M T0.8	1	SA
17	DB32-00142B	THERMISTOR -ASS'Y	103AT,103FW	1	SA

■ AVXDUH128/140E*

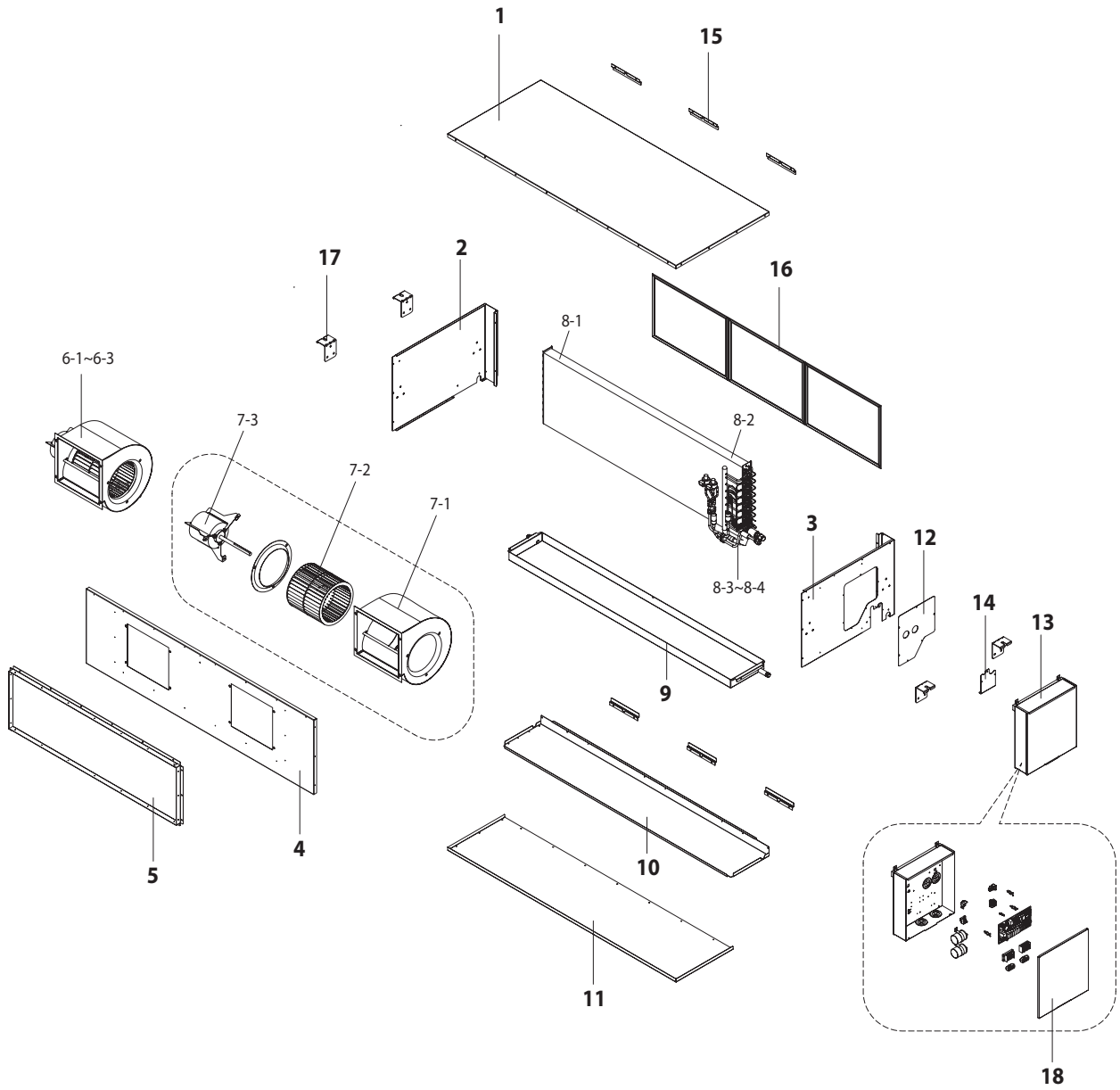


■ Parts List

No.	Code No.	Description	Specification	Q'TY	SA/SNA
1	DB90-02083A	ASS'Y CABINET TOP	ASS'Y,SGCC-M T1.0	1	SA
2	DB90-02007A	ASS'Y CABI BOTTOM DRAIN	ASS'Y,SGCC-M T1.0	1	SA
3	DB90-02008A	ASS'Y CABI BOTTOM BLOWER	ASS'Y,SGCC-M T1.0	1	SA
4	DB90-02009A	ASS'Y CABI SIDE RH	ASS'Y,SGCC-M T1.0	1	SA
5	DB61-01282A	HOLDER SIDE CABI	ASS'Y,SGCC-M T3.0	4	SNA
6	DB90-02010A	ASS'Y CABI SIDE LF	ASS'Y,SGCC-M T1.0	1	SA
7	DB90-02011A	ASS'Y COVER PIPE	ASS'Y,SGCC-M T1.0	1	SA
8	DB91-00317A	ASS'Y DRAIN PAN	ASS'Y,ABS/GF10 T3.0	1	SA
9	DB61-02374A	BRACKET FILTER	ASS'Y,SGCC-M T1.0	4	SNA
10	DB61-02380A	BRACKET EVAP RH	ASS'Y,SGCC-M T1.5	1	SA
11	DB61-02379A	BRACKET EVAP LF	ASS'Y,SGCC-M T1.5	1	SA
12	DB63-01297A	COVER HOLDER	ASS'Y,SGCC-M T1.0	1	SNA
13	DB61-02378A	HOLDER PIPE	ASS'Y,SGCC-M T1.0	1	SNA
14	DB73-00270A	RUBBER COVER WIRE	NBR	2	SNA
15	DB63-01299A	FILTER PRE	ASS'Y	1	SA
16	DB96-07235A	ASS'Y EVAP UNIT	3R16C WAVE 1.3 OD7	1	SA
17	DB94-01370A	ASS'Y BLOWER	ASS'Y	1	SNA
17-1	DB90-02028A	ASS'Y CABI FRONT	ASS'Y,SGCC-M T1.5	1	SNA
17-2	DB90-02013A	ASS'Y BRACKET OUTLET PART	ASS'Y,SGCC-M T1.0	1	SA
17-3	DB61-02372A	BASE MOTOR	ASS'Y,SGCC-M T2.5	1	SNA
17-4	DB61-02375A	BRACKET MOTOR	ASS'Y,SGCC-M T2.5	1	SNA
17-5	DB72-00710A	BAND MOTOR	ASS'Y,SGCC-M T1.6	4	SA
17-6	DB61-00540B	BRACKET MOTOR GUIDE	ASS'Y,SGCC-M T1.6	1	SNA
17-7	DB61-02382A	CASE FAN LOW	ASS'Y,ABS/GF10 T3.0	2	SA
17-8	DB61-02381A	CASE FAN UP	ASS'Y,ABS/GF10 T3.0	2	SA
17-9	DB67-00594A	BLOWER	ASS'Y,ABS/GF10 OD230	2	SA
17-10	DB31-00321D	MOTOR FAN	YDK-370S43223-01	1	SA
18	DB93-03364B	ASS'Y CONTROL IN	ASS'Y	1	SA
18-1	DB90-01992A	ASS'Y CASE CONTROL	ASS'Y,SGCC-M T1.0	1	SNA
18-2	DB61-02287A	CASE PCB	ABS V0	1	SA
18-3	DB26-10070G	TRANS POWER	DC17V	1	SNA
18-4	3502-001027	SSR	OMRON G3NA-210BPL	1	SNA
18-5	2301-001381	C-FILM,LEAD-OTHER	8uF,450VAC	1	SA
18-6	DB65-00105M	TERMINAL BLOCK 6P	250V,20A	1	SNA
18-7	DB65-00105L	TERMINAL BLOCK 6P	250V,20A	1	SNA
18-8	DB61-00250A	HOLDER-WIRE CLAMP	NYLON	2	SNA
18-9	DB93-05959L	ASS'Y PCB MAIN	ASS'Y	1	SA
19	DB63-01296A	COVER CONTROL	ASS'Y,SGCC-M T0.8	1	SA
20	DB32-00142B	THERMISTOR-ASS'Y	103AT,103FW	1	SA

5-1-9 Duct type(SUPER)

■ Body

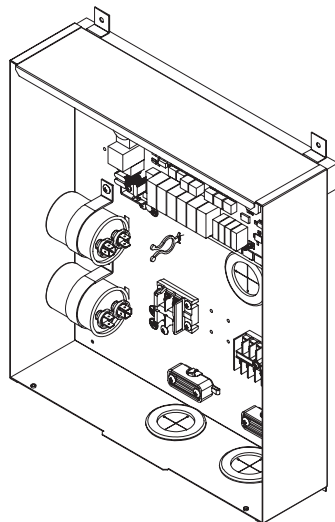
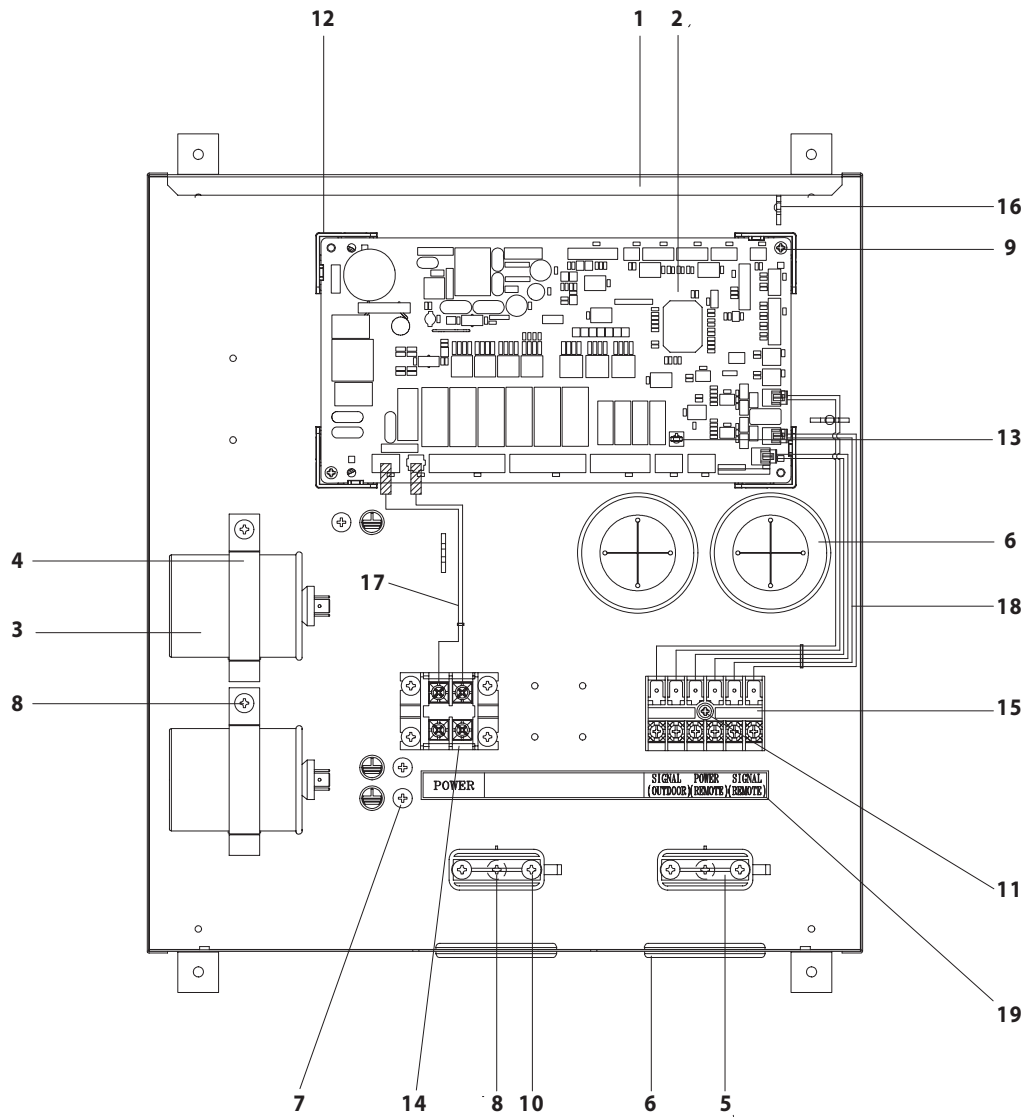


■ Parts List

No.	Code No.	Description	Specification	Q'TY		SA/SNA
				AVXDUH210EG	AVXDUH280EG	
1	DB90-05299A	ASS'Y CABINET-TOP	SGCC-M,T1.4	1	1	SA
2	DB90-05187A	ASS'Y CABINET-SIDE LF	SGCC-M,T1.4	1	1	SA
3	DB90-05186A	ASS'Y CABINET-SIDE RH	SGCC-M,T1.4	1	1	SA
4	DB90-05300A	ASS'Y CABINET-FRONT	SGCC-M,T1.4	1	1	SA
5	DB90-04652A	ASS'Y BRACKET-OUTLET	SGCC-M,T1.6	1	1	SA
6	-	ASS'Y BLOWER & MOTOR LF	ASS'Y	1	1	-
6-1	DB94-02199A	ASS'Y BLOWER-HOUSING	ASS'Y, SGCC	1	1	SA
6-2	DB94-02200A	ASS'Y BLOWER	AL5052P	1	1	SA
6-3	DB31-00552E	MOTOR-FAN LF	OSME-4804SAC	-	1	SA
	DB31-00552H	MOTOR-FAN LF	OSME-4804SAC	1	-	SA
7	-	ASS'Y BLOWER & MOTOR RH	ASS'Y	1	1	-
7-1	DB94-02199A	ASS'Y BLOWER-HOUSING	ASS'Y, SGCC	1	1	SA
7-2	DB94-02200A	ASS'Y BLOWER	AL5052P	1	1	SA
7-3	DB31-00552F	MOTOR-FAN RH	OSME-4904SAC	-	1	SA
	DB31-00552G	MOTOR-FAN RH	OSME-4904SAC	1	-	SA
8	DB96-13201A	ASS'Y EVAP UNIT	ASS'Y	1	1	SA
8-1	DB96-12781A	ASS'Y EVAP-SUB	ASS'Y	1	1	SA
8-2	DB96-12776A	ASS'Y COLLECTOR OUT	ASS'Y	1	1	SNA
8-3	DB96-13034A	ASS'Y VALVE EEV	ASS'Y	1	1	SNA
8-4	DB96-13197A	ASS'Y TUBECAPILLARY	ASS'Y	1	1	SNA
9	DB94-02452A	ASS'Y DRAIN PAN	ASS'Y,SGCC-M,T1.4	1	1	SA
10	DB90-04666A	ASS'Y CABINET-BOTTOM DRAIN	ASS'Y,SGCC-M,T1.4	1	1	SA
11	DB90-05301A	ASS'Y CABINET-BOTTOM BLOWER	ASS'Y,SGCC-M,T1.4	1	1	SA
12	DB90-05185A	ASS'Y COVER SERVICE	ASS'Y,SGCC-M,T1.4	1	1	SA
13	DB93-08781A	ASS'Y CONTROL IN	ASS'Y,SGCC-M,T0.8	1	1	SA
14	DB90-04778A	ASS'Y COVER PIPE RH	ASS'Y,SGCC-M,T1.4	1	1	SNA
15	DB61-03910A	BRACKET FILTER	SGCC-M,T1.4	1	1	SNA
16	DB63-02332A	FILTER PRE	PVC	1	1	SA
17	DB61-03920A	HANGER-SIDE CABI	ASS'Y,SGCC-M,T3.0	1	1	SA
18	DB63-02326A	COVER-CONTROL	ASS'Y,SGCC-M,T0.8	1	1	SNA

Duct type(SUPER) (cont.)

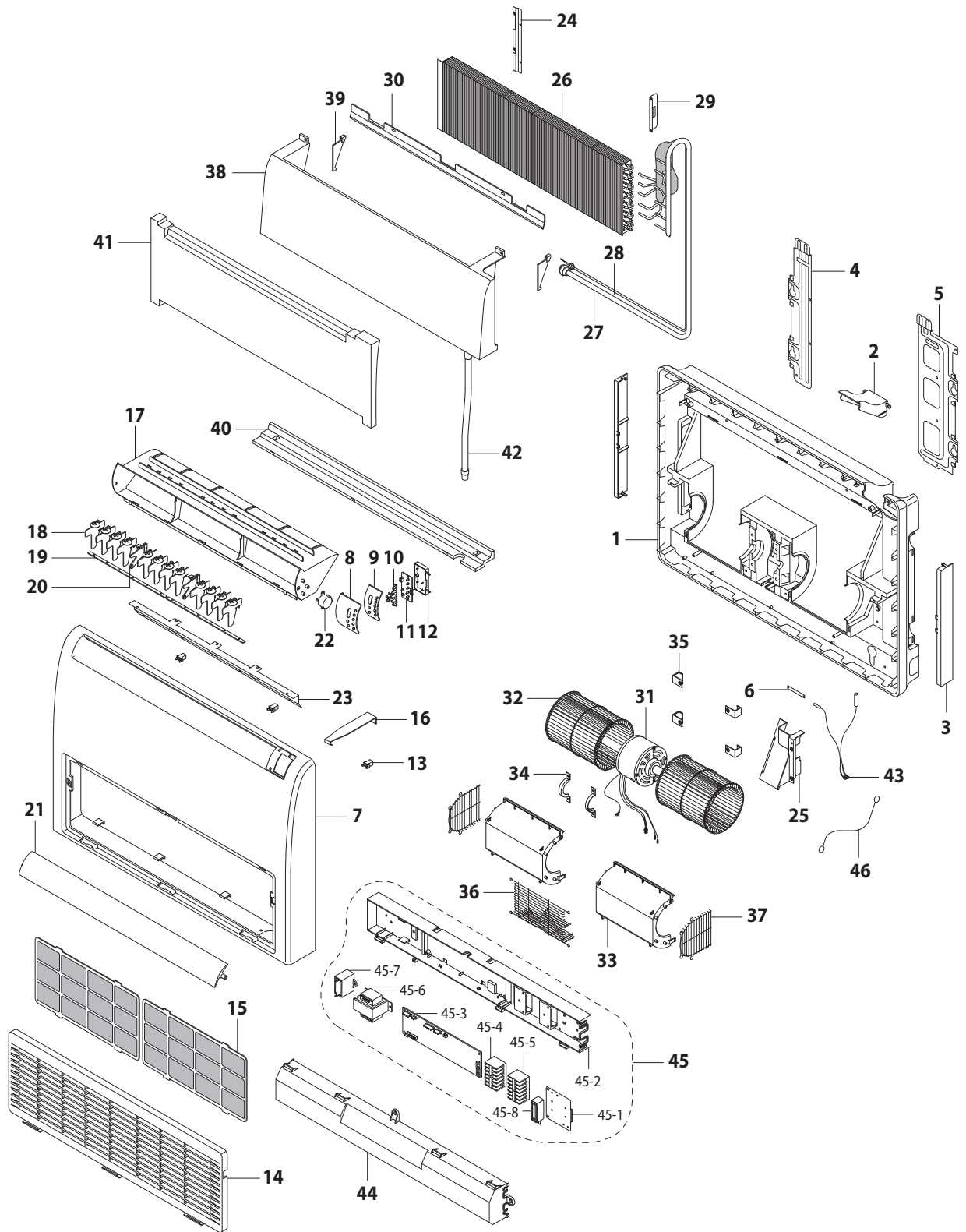
■ Ass'y Control In



■ Parts List

No.	Code No.	Description	Specification	Q'TY	SA/SNA
1	DB90-04677A	ASS'Y CASE-CONTROL	ASS'Y	1	SA
2	DB93-08764A	ASS'Y PCB MAIN	ASS'Y	1	SA
3	2501-001315	C-COIL	15uF, 450VAC, AL CAN TYPE	2	SA
4	DB61-03926A	CLIP-CAPACITOR	T1.4x15xL195.8	2	SA
5	DB61-00250A	HOLDER WIRE CLAMP	NYLON, BLK	2	SNA
6	DB73-00023B	RUBBER COVER WIRE	Φ54	4	SNA
7	6009-001001	SCREW-SPECIAL	TH, M4, L8, ZPC(WHT), SWRCH18A	3	SNA
8	6002-001149	SCREW-TAPPING	TH, 2S, M4, L12, DACRO, SWRCH18A	8	SNA
9	6002-000535	SCREW-TAPPING	PH, 2S, M4, L8, ZPC(WHT), STS304	2	SA
10	6002-000548	SCREW-TAPPING	TH, 2S, M4, L25, ZPC(WHT), STS304	4	SNA
11	DB91-00309A	SCREW-TAPPING	PH, M3, L20, ZPC(YEL)	1	SNA
12	DB61-03922A	SUPPORT-PCB	ABS	4	SNA
13	DB61-04023A	SUPPORT-SPACER	DONG-A, DASS-13N	1	SA
14	DB65-00182B	TERMINAL-BLOCK	L, N	1	SNA
15	DB65-00277A	TERMINAL-BLOCK	F1, F2, V1, V2, F3, F4	1	SA
16	DB71-50031B	WIRE HOLDER	NY66, DAWH-3ND, IDΦ25	3	SNA
17	DB93-07826A	ASS'Y CONNECTOR WIRE POWER	ASS'Y	1	SA
18	DB93-08720A	ASS'Y CONNECTOR WIRE-COMMUNICATION	ASS'Y	1	SNA
19	DB98-30697C	ASS'Y LABEL CAUTION	ASS'Y	1	SNA

5-1-10 Ceiling type



■ Parts List

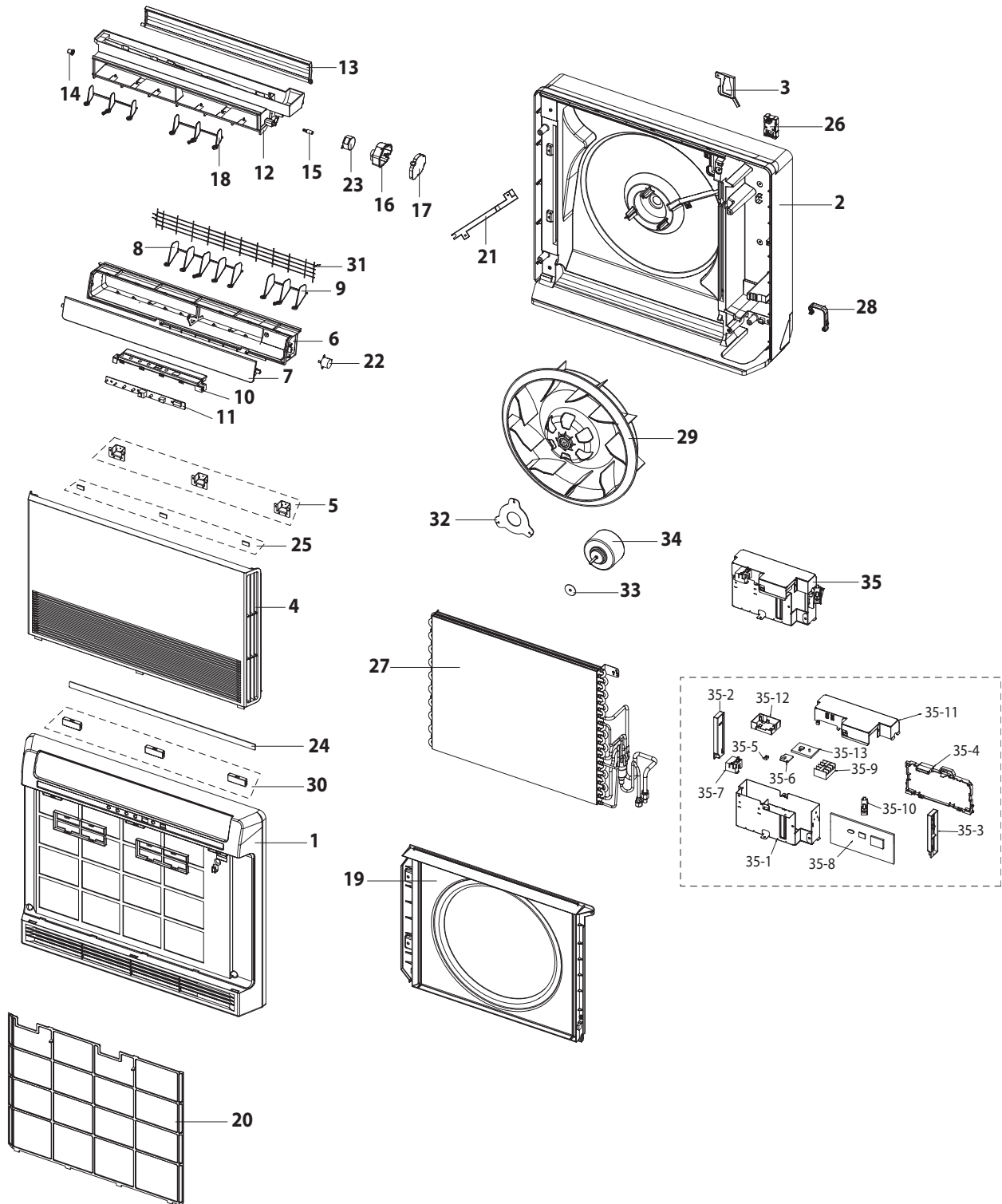
No.	Code No.	Description	Specification	Q'TY		SA/SNA
				AVXTFH056E*	AVXTFH071E*	
1	DB64-00682A	CABI BASE	ABS	1	1	SA
2	DB63-00601A	COVER PIPE	ABS	1	1	SA
3	DB63-00602A	COVER SIDE	ABS	2	2	SA
4	DB61-01149A	PLATE HANGER LF	SGCC-M	1	1	SA
5	DB61-01150A	PLATE HANGER RH	SGCC-M	1	1	SA
6	DB61-01155A	BRACKET COVER PIPE	SGCC-M	1	1	SA
7	DB64-00683A	CABI FRONT	ABS(SILK PRINT)	1	1	SA
8	DB63-00606C	COVER DISPLAY A	ABS(SILK PRINT)	1	1	SA
9	DB63-00607A	COVER DISPLAY B	PC	1	1	SA
10	DB63-00604A	COVER LED	ABS	1	1	SA
11	DB93-01476B	DISPLAY PCB IN	PCB	1	1	SA
12	DB61-01159A	CASE DISPLAY PCB	ABS	1	1	SA
13	DB66-00451A	LATCH PUSH	ASS'Y	3	3	SA
14	DB64-00684A	INLET GRILLE	ABS	1	1	SA
15	DB63-00610A	FILTER AIR	PP	2	2	SA
16	DB61-01153A	PLATE HANGER FRONT	SGCC-M	1	1	SA
17	DB61-01156A	BRACKET OUTLET	ABS	1	1	SA
18	DB31-00158A	BLADE V	ABS	12	12	SA
19	DB31-00159A	BLADE CONNECTOR V	ABS	2	2	SA
20	DB31-00164A	BLADE CONNECTOR H	ABS	2	2	SA
21	DB31-00157A	BLADE H	ABS	1	1	SA
22	DB31-10113A	SWING MOTOR IN	ASS'Y	1	1	SA
23	DB61-01352A	BRACKET DRAIN	SGCC-M	1	1	SA
24	DB67-00258A	DRAIN SUB LF	SGCC-M	1	1	SA
25	DB67-00259A	DRAIN SUB RH	ABS	1	1	SA
26	DB96-07272B	EVAPORATOR	ASS'Y	1	1	SA
27	DB96-07656A	ASS'Y COLLECTOR	ASS'Y	-	1	SA
	DB96-07656B	ASS'Y COLLECTOR	ASS'Y	1	-	SA
28	DB96-07658A	ASS'Y INLET	ASS'Y	-	1	SA
	DB96-07657A	ASS'Y INLET	ASS'Y	1	-	SA
29	DB61-01157A	BRACKET EVAP	SGCC-M	1	1	SA
30	DB63-00624A	COVER EVAP	ABS	1	1	SA
31	DB31-00179A	MOTOR FAN	ASS'Y(OSME-254SAC)	1	1	SA
32	DB67-00260A	BLOWER	ABS	2	2	SA
33	DB61-01160A	CASE FAN UP	ABS	2	2	SA
34	DB63-00611A	COVER MOTOR	SGCC-M	2	2	SA
35	DB61-01162A	HOLDER MOTOR	SGCC-M	4	4	SA
36	DB63-00738A	GUARD SAFETY	HSWR	1	1	SA
37	DB63-00739A	GUARD FAN	HSWR	2	2	SA
38	DB67-00257A	DRAIN PAN	ABS	1	1	SA

■ Parts List(cont.)

No.	Code No.	Description	Specification	Q'TY		SA/SNA
				AVXTFH056E*	AVXTFH071E*	
39	DB67-00275A	DRAIN PARTITION	ABS	2	2	SA
40	DB69-00617A	CUSHION DRAIN A	EPS(25FOAM-PS)	1	1	SA
41	DB69-00714A	CUSHION DRAIN B	EPS(25FOAM-PS)	1	1	SA
42	DB94-00240E	ASS'Y DRAIN HOSE	ASS'Y	1	1	SA
43	DB32-00141B	THERMISTOR EVAP	ASS'Y	1	1	SA
44	DB63-00605A	COVER CONTROL	ABS(UL94-V0)	1	1	SA
45	DB93-05193B	ASS'Y CONTROL IN	ASS'Y	-	1	SA
	DB93-05193A	ASS'Y CONTROL IN	ASS'Y	1	-	SA
45-1	DB61-01154A	BASE CONTROL	SGCC-M	1	1	SA
45-2	DB61-01220A	CASE PCB MAIN	ABS(UL94-V0)	1	1	SA
45-3	DB93-05982C	CEILING EU,PCB ASS'Y	PCB	1	1	SA
45-4	DB65-00105M	TERMINAL BLOCK 6P	DAF-S6P	1	1	SA
45-5	DB95-01101B	TERMINAL BLOCK 6P	DAF-S6P	1	1	SA
45-6	DB26-00080A	TRANS POWER	ASS'Y	1	1	SA
45-7	2301-001368	CAPACITOR	5uF 450VAC	-	1	SA
	2301-001369	CAPACITOR	3uF 450VAC	1	-	SA
45-8	DB61-00250A	CLAMP WIRE	NYLON	2	2	SA
46	DB32-00102D	THERMISTOR EVAP OUT	ASS'Y	1	1	SA

MEMO

5-1-11 Console type

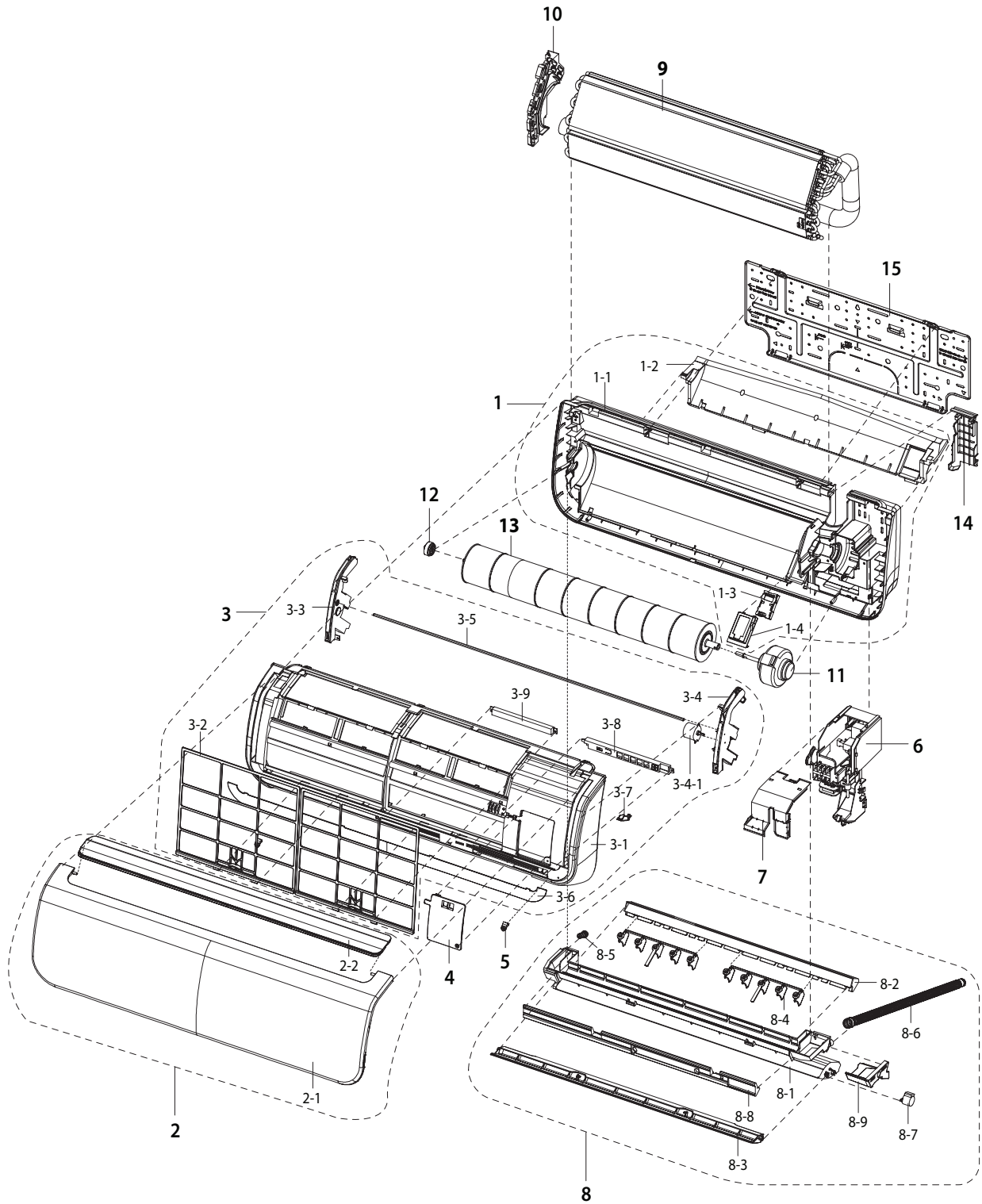


■ Parts List

No.	Code No.	Description	Specification	Q'TY		SA/SNA
				AVXTJH028* AVXTJH036*	AVXTJH056*	
1	DB61-03545A	BODY FRONT	HIPS	1	1	SA
2	DB61-03547A	BODY BACK	HIPS	1	1	SA
3	DB67-00899A	CAP MPI	HIPS	1	1	SA
4	DB64-02060A	PANEL FRONT	HIPS	1	-	SA
	DB64-02181A	PANEL FRONT	HIPS	-	1	SA
5	DB67-00898A	CAP MAGNET	PC	3	3	SA
6	DB61-03544A	BODY TOP DISCHARGE	HIPS	1	1	SA
7	DB66-01282A	BLADE TOP H	HIPS	1	1	SA
8	DB66-01281A	BLADE TOP V LF	PP	1	1	SA
9	DB66-01280A	BLADE TOP V RH	PP	1	1	SA
10	DB61-03543A	CASE DISPLAY PCB	PP	1	1	SA
11	DB90-03848A	ASS'Y CASE DISPLAY PCB	ASS'Y	1	-	SA
	DB90-03848B	ASS'Y CASE DISPLAY PCB	ASS'Y	-	1	SA
12	DB61-03546A	BODY BOTTOM DISCHARGE	HIPS	1	1	SA
13	DB66-01284A	BLADE BOTTOM H	HIPS	1	1	SA
14	DB66-01286A	LINK BOTTOM BLADE LF	POM	1	1	SA
15	DB66-01285A	LINK BOTTOM BLADE RH	POM	1	1	SA
16	DB61-03553A	CASE MOTOR STEP	ABS V0	1	1	SA
17	DB67-00897A	CAP MOTOR STEP	ABS V0	1	1	SA
18	DB66-01283A	BLADE BOTTOM V	PP	2	2	SA
19	DB61-03559A	BODY BELL MOUTH	HIPS	1	1	SA
20	DB63-01998A	FILTER AIR	PP	1	1	SA
21	DB61-03551A	BRACKET WIRE MOLD	HIPS	1	1	SA
22	DB31-00371A	MOTOR STEP	ABS V0	1	1	SA
23	DB31-00370A	MOTOR STEP	ABS V0	1	1	SA
24	DB90-03823A	ASS'Y HALF MIRROR DISPLAY	PMMA	1	1	SA
25	DB61-01477A	MAGNET	20x10x3, Gauss 2,400~2,600	1	1	SA
26	DB93-04230A	COMPACT MPI	-	1	1	SA
27	DB96-09935A	ASS'Y EVAP	ASS'Y	1	-	SA
	DB96-09935B	ASS'Y EVAP	ASS'Y	-	1	SA
28	DB61-03542A	BRACKET PIPE	PP	1	1	SA
29	DB31-00507A	FAN TURBO	SAN GP20%, ø40, H76	1	1	SA
30	DB70-00923A	PLATE STEEL	SGCC-M	1	1	SA
31	DB63-01999A	GUARD TOP OUTLET	HSWR	1	1	SA
32	DB61-03554A	BRACKET MOTOR	SGCC-M	1	1	SA
33	DB70-00921A	PLATE MOTOR	SGCC-M	1	1	SA
34	DB31-00331A	MOTOR FAN	SIC-55CV-F137-1,SIBAURA	1	1	SA
35	DB93-06165C	ASS'Y CONTROL IN	ASS'Y	1	-	SNA
	DB93-06165G	ASS'Y CONTROL IN	ASS'Y	-	1	SNA
35-1	DB90-03842A	ASS'Y CASE CONTROL PD	ASS'Y	1	1	SA
35-2	DB61-03540A	SLIDER CASE PCB A	ABS V0	1	1	SA
35-3	DB61-03541A	SLIDER CASE PCB B	ABS V0	1	1	SA
35-4	DB61-03537A	CASE PCB MAIN	ABS V0	1	1	SA
35-5	DB67-00896A	CAP SWITCH	ABS V0	1	1	SA
35-6	DB93-06169A	ASS'Y PCB SUB SWITCH	PBA	1	1	SA
35-7	DB61-03549A	CASE PCB SWITCH	ABS V0	1	1	SA
35-8	DB93-07023C	ASS'Y PCB MAIN IN	PBA	1	-	SA
	DB93-07023F	ASS'Y PCB MAIN IN	PBA	-	1	SA
35-9	DB65-00004U	TERMINAL BLOCK	4P	1	1	SNA
35-10	DB61-40291C	HOLDER WIRE	-	1	1	SA
35-11	DB63-02001A	COVER CONTROL	SGCC-M	1	1	SA
35-12	DB61-03550A	CASE PCB ADDRESS	ABS V0	1	1	SA
35-13	DB93-04640B	PCB ADDRESS	PBA	1	1	SA

5-1-12 Wall-mounted type(Montblanc)

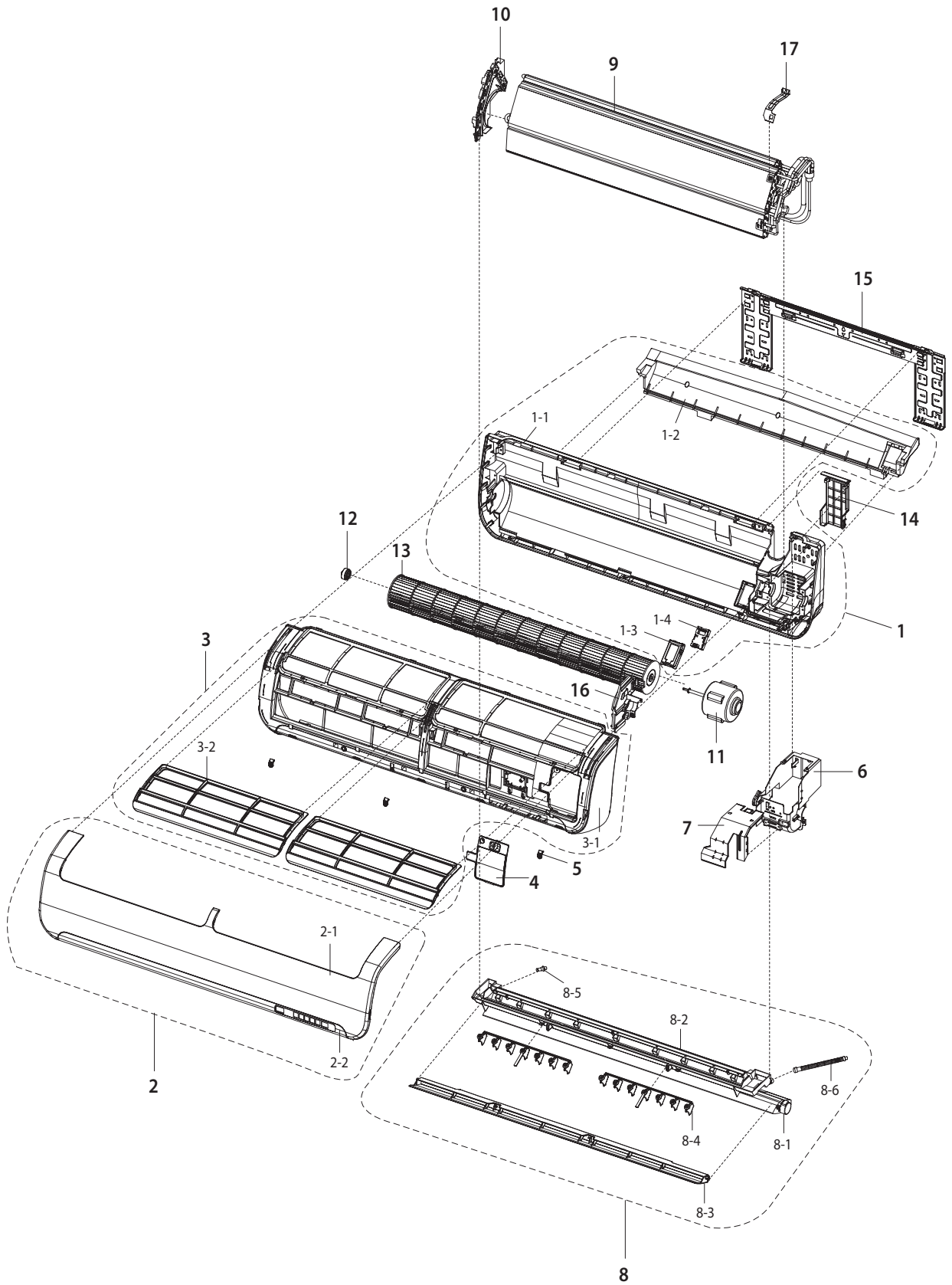
■ AVXWBH028/036E*



■ Parts List

No.	Code No.	Description	Specification	Q'TY	SA/SNA
				MH023FBEA MH026FBEA MH035FBEA	
1	DB94-01555A	ASS'Y-BODY BACK	ASS'Y	1	SA
1-1	DB61-03295A	BODY BACK	HIPS	1	SNA
1-2	DB62-05141A	SEAL-INSUL BODY REAR	EPS(30)	1	SNA
1-3	DB63-01812A	COVER-MPI	HIPS	1	SA
1-4	DB93-04230A	ASS'Y-COMPACT MPI	ASS'Y	1	SA
2	DB92-01124C	ASS'Y GRILLE	ASS'Y	1	SA
2-1	DB64-01872A	GRILLE-AIR INLET	ABS	1	SA
2-2	DB64-01867A	GRILLE-DOOR	ABS	1	SA
3	DB92-01125A	ASS'Y PANEL FRONT	ASS'Y	1	SA
3-1	DB64-01866A	PANEL FRONT	HIPS	1	SNA
3-2	DB63-01826A	FILTER-PRE	PP	2	SA
3-3	DB92-01122A	ASS'Y-RACK GRILLE LF	ASS'Y	1	SA
3-4	DB92-01123A	ASS'Y-RACK GRILLE RH	ASS'Y	1	SA
3-4-1	DB31-00368B	MOTOR STEP	DC12V,3500gf.cm	1	SNA
3-5	DB66-01256A	SHAFT-PINION	STS304	1	SNA
3-6	DB64-01873A	WINDOW-DISPLAY	PMMA	1	SNA
3-7	DB64-01876A	BUTTON-POWER	PMMA	1	SNA
3-8	DB93-05779A	ASS'Y DISPLAY	ASS'Y	1	SNA
3-9	DB93-05778A	ASS'Y DISPLAY-MPI	ASS'Y	1	SNA
4	DB90-03967A	ASS'Y COVER TERMINAL	ASS'Y	1	SA
5	DB67-00849A	CAP-SCREW	HIPS	2	SA
6	*DB93-05899A	ASS'Y CONTROL IN	ASS'Y	1	SA
7	DB63-01850A	COVER-PBA	SGCC-M	1	SA
8	DB94-01557A	ASS'Y TRAY DRAIN	ASS'Y	1	SA
8-1	DB63-01849A	TRAY DRAIN	ABS	1	SNA
8-2	DB63-01837A	TRAY-STABILIZER	ABS	1	SA
8-3	DB61-03332A	BLADE-H	ABS	1	SA
8-4	DB61-01636A	BLADE-V	PP	2	SA
8-5	DB73-00180A	RUBBER-CAP DRAIN	GUM-EPM	1	SNA
8-6	DB94-00458B	ASS'Y DRAIN-HOSE	ASS'Y	1	SA
8-7	DB31-00371A	MOTOR STEP	DC12V, 600gf.cm	1	SA
8-8	DB62-05155A	SEAL-INSUL TRAY FR	EPS(30)	1	SNA
8-9	DB69-00839A	CUSHION-TRAY RH	EPS(30)	1	SNA
9	*DB96-09626A	ASS'Y EVAP-TOTAL	ASS'Y	1	SA
10	DB61-03333A	HOLDER-EVAP	HIPS	1	SA
11	DB31-00474A	MOTOR FAN	0.3A,50/60Hz,35W,220/240V,1350rpm	1	SA
12	DB94-00455A	ASS'Y BEARING-RUBBER	ASS'Y	1	SA
13	DB94-01556A	ASS'Y-CROSS FAN	ASS'Y	1	SA
14	DB61-03296A	HOLDER-PIPE	HIPS	1	SA
15	DB70-00819A	PLATE-HANGER	SGCC-M	1	SA

■ AVXWBH056/071E*

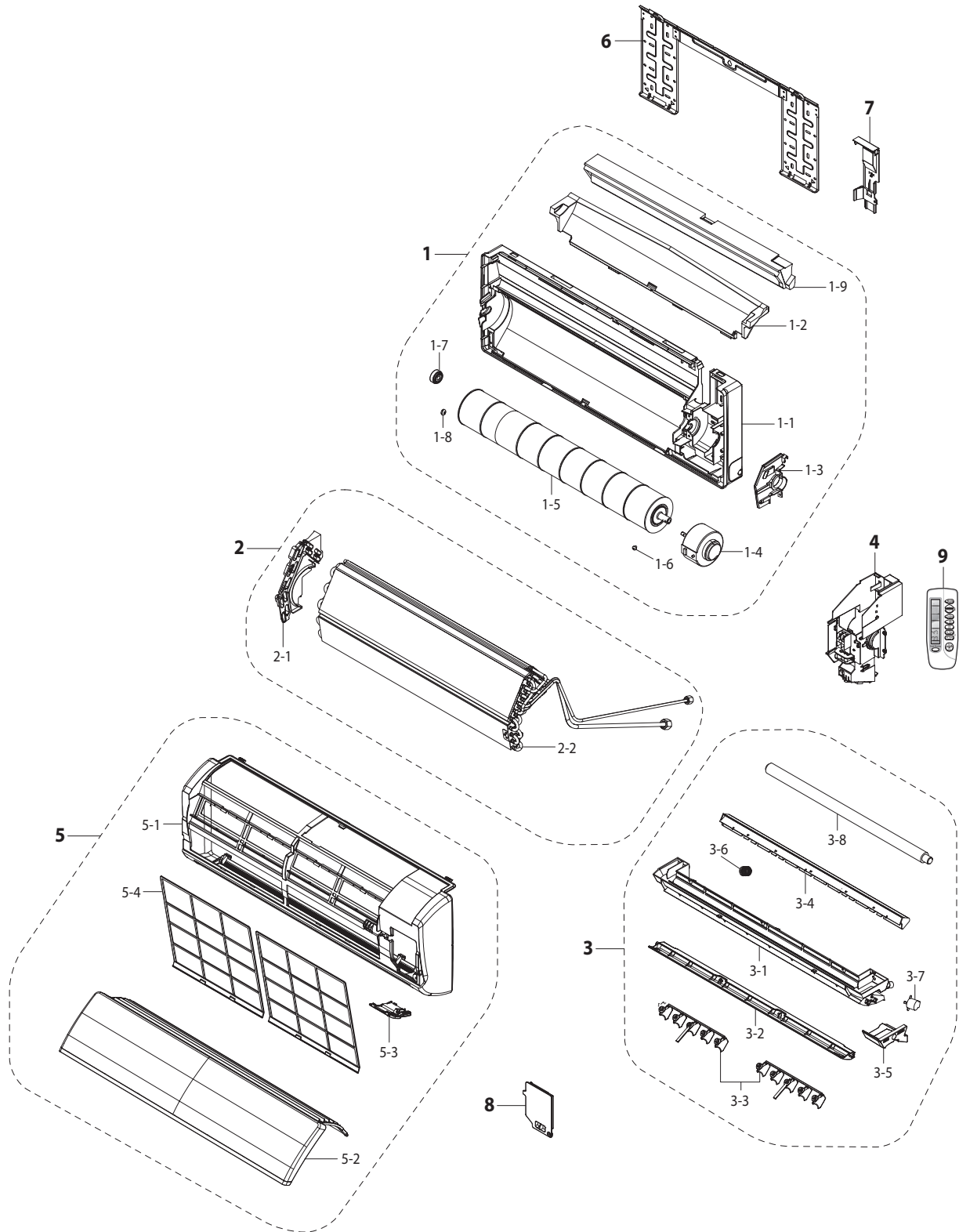


■ Parts List

No.	Code No.	Description	Specification	Q'TY	SA/SNA
1	DB94-01547A	ASS'Y-BODY BACK	ASS'Y	1	SA
1-1	DB61-03344A	BODY BACK	HIPS	1	SNA
1-2	DB62-05163A	SEAL-INSUL BODY REAR	EPS(30)	1	SNA
1-3	DB63-01851A	COVER-MPI	HIPS	1	SA
1-4	DB93-04230A	ASS'Y-COMPACT MPI	ASS'Y	1	SA
2	DB92-01120B	ASS'Y GRILLE	ASS'Y	1	SA
2-1	DB64-01880B	GRILLE-AIR INLET	ABS	2	SNA
2-2	DB63-01860B	COVER-DISPLAY	ABS	1	SNA
3	DB92-01119A	ASS'Y PANEL FRONT	ASS'Y	1	SA
3-1	DB64-01882A	PANEL FRONT	HIPS	1	SA
3-2	DB94-01614B	ASS'Y-GUARD AIR FILTER	ASS'Y	1	SA
4	DB90-03968A	ASS'Y COVER TERMINAL	ASS'Y	1	SA
5	DB67-00855B	CAP-SCREW	HIPS	3	SA
6	*DB93-05894A	ASS'Y CONTROL IN	ASS'Y	1	SA
7	DB63-01859A	COVER-PBA	SGCC-M	1	SA
8	DB94-01549B	ASS'Y TRAY DRAIN	ASS'Y	1	SA
8-1	DB63-01853A	TRAY DRAIN	ABS	1	SNA
8-2	DB63-01861A	TRAY-STABILIZER	ABS	1	SA
8-3	DB61-03341B	BLADE-H	ABS	1	SA
8-4	DB61-01976B	BLADE-V	PP	2	SA
8-5	DB73-00180A	RUBBER-CAP DRAIN	GUM-EPM	1	SNA
8-6	DB94-00458B	ASS'Y DRAIN-HOSE	ASS'Y	1	SA
9	*DB96-09670A	ASS'Y EVAP-TOTAL	ASS'Y	1	SA
10	DB61-03346A	HOLDER-EVAP	HIPS	1	SA
11	DB31-00479A	MOTOR FAN	0.3A,50/60Hz,220/240V	1	SA
12	DB94-00455A	ASS'Y BEARING-RUBBER	ASS'Y	1	SA
13	DB94-01550A	ASS'Y-CROSS FAN	ASS'Y	1	SA
14	DB61-03335A	HOLDER-PIPE	HIPS	1	SA
15	DB90-03483A	ASS'Y PLATE-HANGER	ASS'Y	1	SA
16	DB61-03334A	SUPPORT-EVAP	HIPS	1	SA
17	DB61-03361A	BRACKET-EVAP	SGCC-M	1	SA

5-1-13 Wall-mounted type(Neo Forte without EEV)

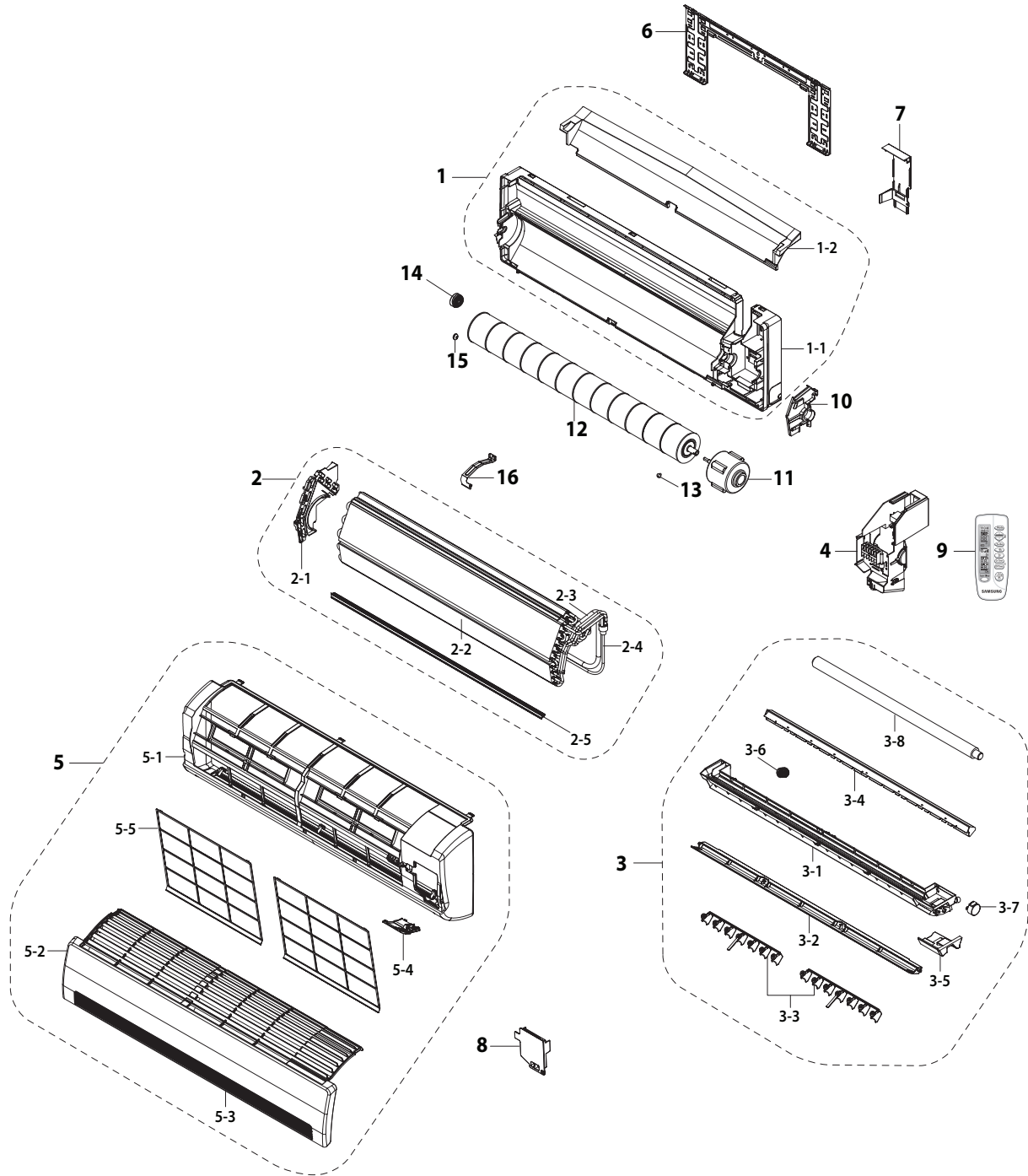
■ AVXWNH022/028/036*



■ Parts List

No.	Code No.	Description	Specification	Q'TY	SA/SNA
1	DB94-00454H	ASS'Y BACK BODY	ASS'Y	1	SA
1-1	DB61-01632D	BACK BODY	HIPS	1	SNA
1-2	DB69-00834A	CROSS FAN	EPS	1	SNA
1-3	DB96-03149A	ASS'Y SUPPORT EVAP RH	HIPS	1	SA
1-4	DB31-00219A	MOTOR IN	220-240V~,50/60Hz,Class E	1	SA
1-5	DB94-00456A	ASS'Y CROSS FAN	OD92xL635	1	SA
1-6	DB97-02075A	ASS'Y BOLT SPECIAL	ASS'Y	1	SNA
1-7	DB94-00455A	ASS'Y RUBBER BEARING	ASS'Y	1	SNA
1-8	DB94-40007A	ASS'Y BEARING	BEARING	1	SA
1-9	DB69-00833A	CUSHION EVAP UP	EPS	-	SA
2	DB96-09930A	ASS'Y EVAP TOTAL	ASS'Y	1	SA
2-1	DB63-00850A	COVER BEARING	ABS	-	SNA
2-2	DB96-03060G	ASS'Y EVAP	ASS'Y	1	SNA
3	DB94-00457J	ASS'Y TRAY DRAIN	ASS'Y	1	SA
3-1	DB63-00848A	TRAIN DRAIN	ABS	1	SNA
3-2	DB61-01635C	BLADE-H	HIPS	1	SA
3-3	DB61-01636A	BLADE-V	PP	1	SA
3-4	DB63-00849A	TRAY STABILIZER	ABS	1	SNA
3-5	DB69-00839A	CUSHION EPS TRAY RH	EPS	3	SA
3-6	DB73-00180A	RUBBER CAP DRAIN	GUM-EPM	3	SNA
3-7	DB31-00371A	ASS'Y MOTOR STEPPING	220-240V~,50/60Hz,Class E	1	SA
3-8	DB94-00458B	ASS'Y DRAIN HOSE	ASS'Y	1	SA
4	DB93-06025C	ASS'Y CONTROL IN	ASS'Y	1	SA
5	DB92-01237A	ASS'Y PANEL FRONT	ASS'Y	1	SA
5-1	DB64-00989E	PANEL FRONT	HIPS	1	SA
5-2	DB92-01207A	ASS'Y GRILLE AIR INLET	ASS'Y	1	SA
5-3	DB90-03094A	ASS'Y COVER DISPLAY	ASS'Y	1	SA
5-4	DB63-01591A	GUARD AIR FILTER	PP	1	SNA
6	DB97-02851B	ASS'Y PLATE HANGER	ASS'Y	-	SNA
7	DB61-01638B	HOLDER PIPE	PS	1	SNA
8	DB90-03965A	ASS'Y COVER TERMINAL	ASS'Y	1	SA
9	DB93-03170Z	ASS'Y REMOCON	ARH-463	1	SA

■ AVXWNH056/071E*

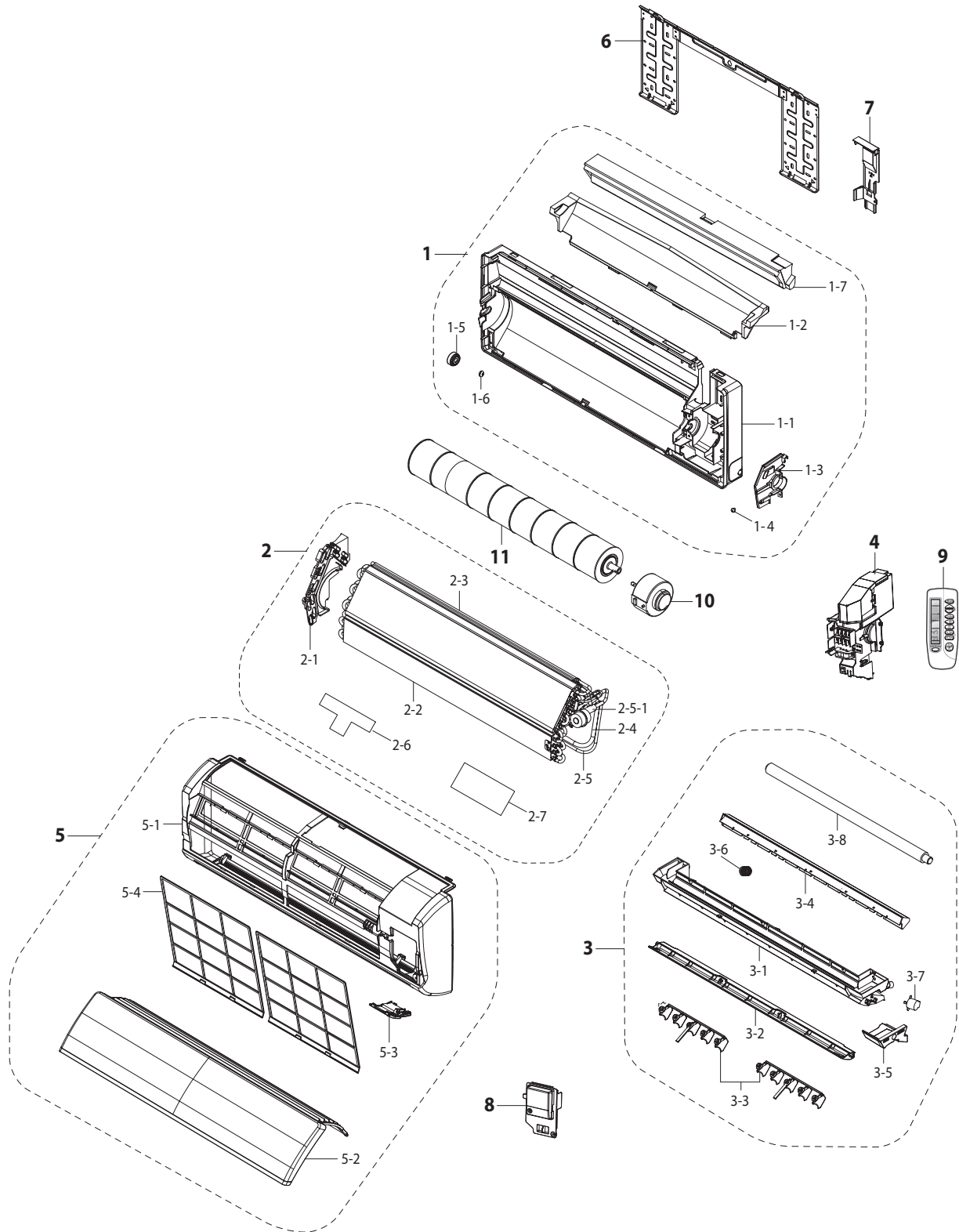


■ Parts List

No.	Code No.	Description	Specification	Q'TY		SA/SNA
				AVXWNH056E*	AVXWNH071E*	
1	DB94-00615B	ASS'Y BACK BODY	ASS'Y	1	1	SA
1-1	DB61-01974B	BACK BODY	HIPS	1	1	SNA
1-2	DB69-01039A	CUSHION BACK BADDY	EPS	1	1	SNA
2	DB96-06587D	ASS'Y EVAP TOTAL	ASS'Y	1		SA
	DB96-09941A	ASS'Y EVAP TOTAL	ASS'Y		1	SA
2-1	DB63-01065A	COVER BEARING	ABS	1	1	SNA
2-2	DB96-07606A	ASS'Y EVAP MAIN	ASS'Y	1	1	SNA
	DB96-06525B	ASS'Y EVAP SUB	ASS'Y	1	1	SNA
2-3	DB96-07590A	ASS'Y TUBE EVAP OUT	ASS'Y	1	1	SA
2-4	DB96-07589A	ASS'Y TUBE EVAP IN	ASS'Y	1		SA
	DB96-09934A	ASS'Y TUBE EVAP IN	ASS'Y		1	SA
2-5	DB60-00192A	SPACE EVAP LOW		1	1	SNA
3	DB94-00616E	ASS'Y TRAY DRAIN	ASS'Y	1	1	SA
3-1	DB63-01071A	TRAIN DRAIN	ABS	1	1	SNA
3-2	DB61-01975C	BLADE-H	HIPS	1	1	SA
3-3	DB61-01976A	BLADE-V	PP	1	1	SA
3-4	DB63-01066A	TRAY STABILIZER	ABS	1	1	SNA
3-5	DB69-01024A	CUSHION EPS TRAY RH	EPS	1	1	SA
3-6	DB73-00180A	RUBBER CAP DRAIN	GUM-EPM	1	1	SNA
3-7	DB31-00285A	ASS'Y MOTOR STEPPING	220-240V~,50/60Hz,Class E	1	1	SA
3-8	DB94-00458B	ASS'Y DRAIN HOSE	ASS'Y	1	1	SA
4	DB93-06038C	ASS'Y CONTROL IN	ASS'Y	1	1	SA
5	DB92-01235A	ASS'Y PANEL FRONT	ASS'Y	1	1	SA
5-1	DB64-01184C	PANEL FRONT	HIPS	1	1	SA
5-2	DB64-02045A	ASS'Y GRILLE AIR INLET	ASS'Y	1	1	SA
5-3	DB64-02046A	DECORATION GRILLE	PC(GRAY)	1		SA
5-4	DB93-02867C	ASS'Y COVER DISPLAY	ASS'Y	1	1	SA
5-5	DB63-01592B	GUARD AIR FILTER	PP	2	2	SNA
6	DB90-02738A	ASS'Y PLATE HANGER	ASS'Y	1	1	SNA
7	DB61-01981B	HOLDER PIPE	PS	1	1	SNA
8	DB90-03966A	ASS'Y COVER TERMINAL	ASS'Y	1	1	SA
9	DB93-03170Z	ASS'Y REMOCON	ARH-463	1	1	SA
10	DB96-03817A	ASS'Y SUPPORT EVAP RH	HIPS	1	1	SA
11	DB31-00267A	MOTOR IN	220-240V~,50/60Hz,Class E	1	1	SA
12	DB94-00456B	ASS'Y CROSS FAN	OD92xL635	1	1	SA
13	DB97-02075A	ASS'Y BOLT SPECIAL	ASS'Y	1	1	SNA
14	DB94-00455A	ASS'Y RUBBER BEARING	ASS'Y	1	1	SNA
15	DB94-40007A	ASS'Y BEARING MOTOR	BEARING	1	1	SA
16	DB61-01977A	BRACKET EVAP	SGCC-M	1	1	SA

5-1-14 Wall-mounted type(Neo Forte with EEV)

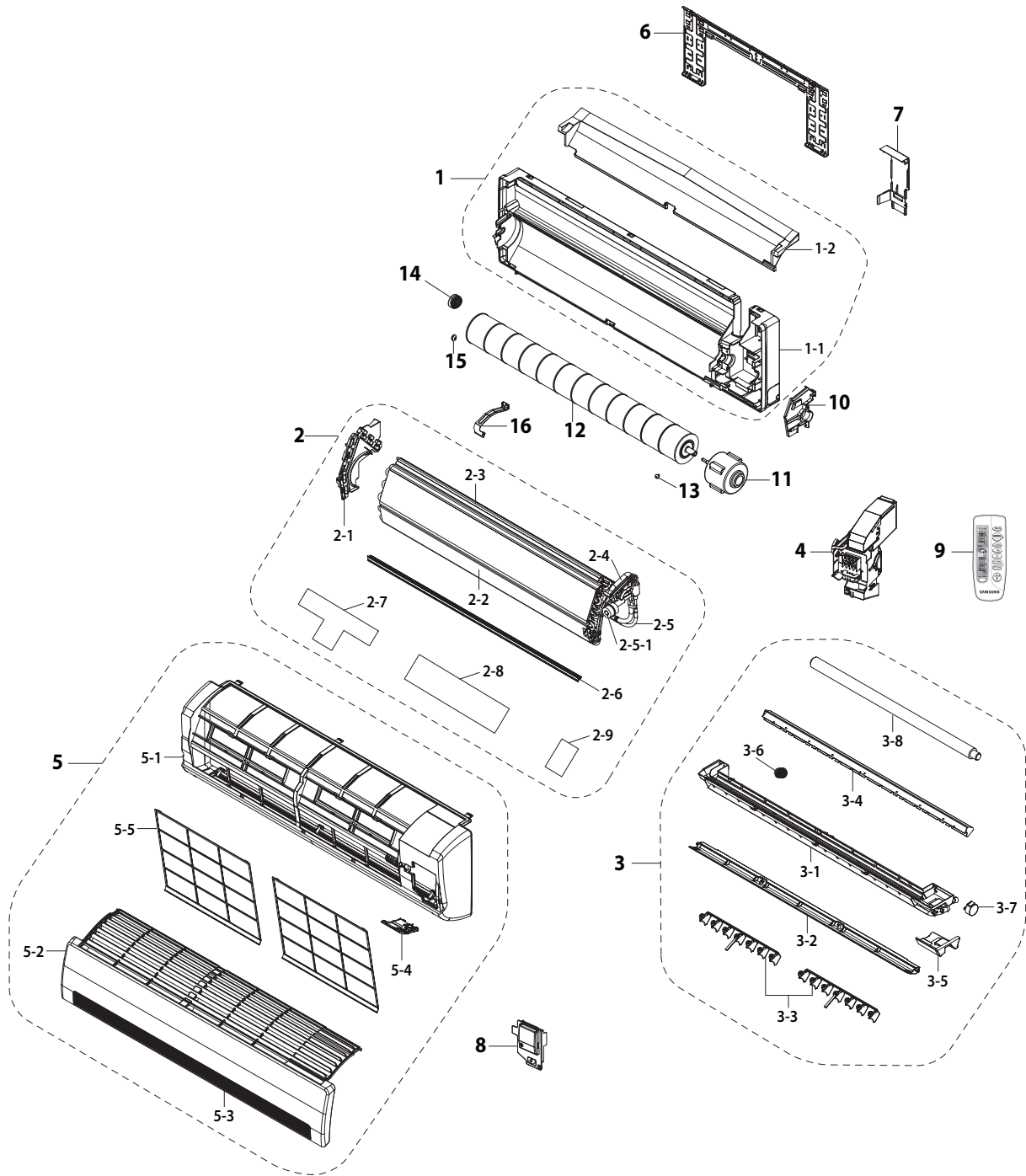
■ ND022/028/036QHXE*



■ Parts List

No.	Code No.	Description	Specification	Q'TY	SA/SNA
1	DB94-00454H	ASS'Y BACK BODY	ASS'Y	1	SA
1-1	DB61-01632D	BACK BODY	HIPS	1	SNA
1-2	DB69-00834A	CUSION BODY BACK	EPS	1	SNA
1-3	DB96-03149A	ASS'Y SUPPORT EVAP RH	HIPS	1	SA
1-4	DB97-02075A	ASS'Y BOLT SPECIAL	ASS'Y	1	SNA
1-5	DB94-00455A	ASS'Y RUBBER BEARING	ASS'Y	1	SNA
1-6	DB94-40007A	ASS'Y BEARING	BEARING	1	SA
1-7	DB69-00833A	CUSHION EVAP UP	EPS	-	SA
2	DB96-13821B	ASS'Y EVAP TOTAL	ASS'Y	1	SA
2-1	DB63-00850A	COVER BEARING	ABS	1	SNA
2-2	DB96-04544F	ASS'Y EVAP MAIN	ASS'Y	1	SA
2-3	DB96-04546D	ASS'Y EVAP SUB	ASS'Y	1	SA
2-4	DB96-13794A	ASS'Y TUBE EVAP OUT	ASS'Y	1	SNA
2-5	DB96-13801A	ASS'Y TUBE EVAP IN	ASS'Y	1	SNA
2-5-1	DB62-09160A	EXPANSION VALVE	ø1.3 EEV	1	SA
2-6	DB73-00569A	RUBBER BUTYL	BUTYL	1	SA
2-7	DB73-00570A	RUBBER BUTYL	BUTYL	1	SA
3	DB94-00457J	ASS'Y TRAY DRAIN	ASS'Y	1	SA
3-1	DB63-00848A	TRAIN DRAIN	ABS	1	SNA
3-2	DB61-01635C	BRAD-H	HIPS	1	SA
3-3	DB61-01636A	BLADE-V	PP	1	SA
3-4	DB63-00849A	TRAY STABILIZER	ABS	1	SNA
3-5	DB69-00839A	CUSHION EPS TRAY RH	EPS	3	SA
3-6	DB73-00180A	RUBBER CAP DRAIN	GUM-EPM	3	SNA
3-7	DB31-00371A	ASS'Y MOTOR STEPPING	220-240V~,50/60Hz,Class E	1	SA
3-8	DB94-00458B	ASS'Y DRAIN HOSE	ASS'Y	1	SA
4	DB93-09503A	ASS'Y CONTROL IN	ASS'Y	1	SA
5	DB92-01237A	ASS'Y PANEL FRONT	ASS'Y	1	SA
5-1	DB64-00989E	PANEL FRONT	HIPS	1	SA
5-2	DB92-01207A	ASS'Y GRILLE AIR INLET	ASS'Y	1	SA
5-3	DB90-03094A	ASS'Y COVER DISPLAY	ASS'Y	1	SA
5-4	DB63-01591B	GUARD AIR FILTER	PP	1	SNA
6	DB97-02851C	ASS'Y PLATE HANGER	ASS'Y	1	SNA
7	DB61-01638B	HOLDER PIPE	HIPS	1	SNA
8	DB90-05667A	ASS'Y COVER TERMINAL	ASS'Y	1	SA
9	DB93-03170Z	ASS'Y REMOCON	ARH-465	1	SA
10	DB31-00219A	MOTOR IN	220-240V~,50/60Hz,Class E	1	SA
11	DB94-00456A	ASS'Y CROSS FAN	OD92xL635	1	SA

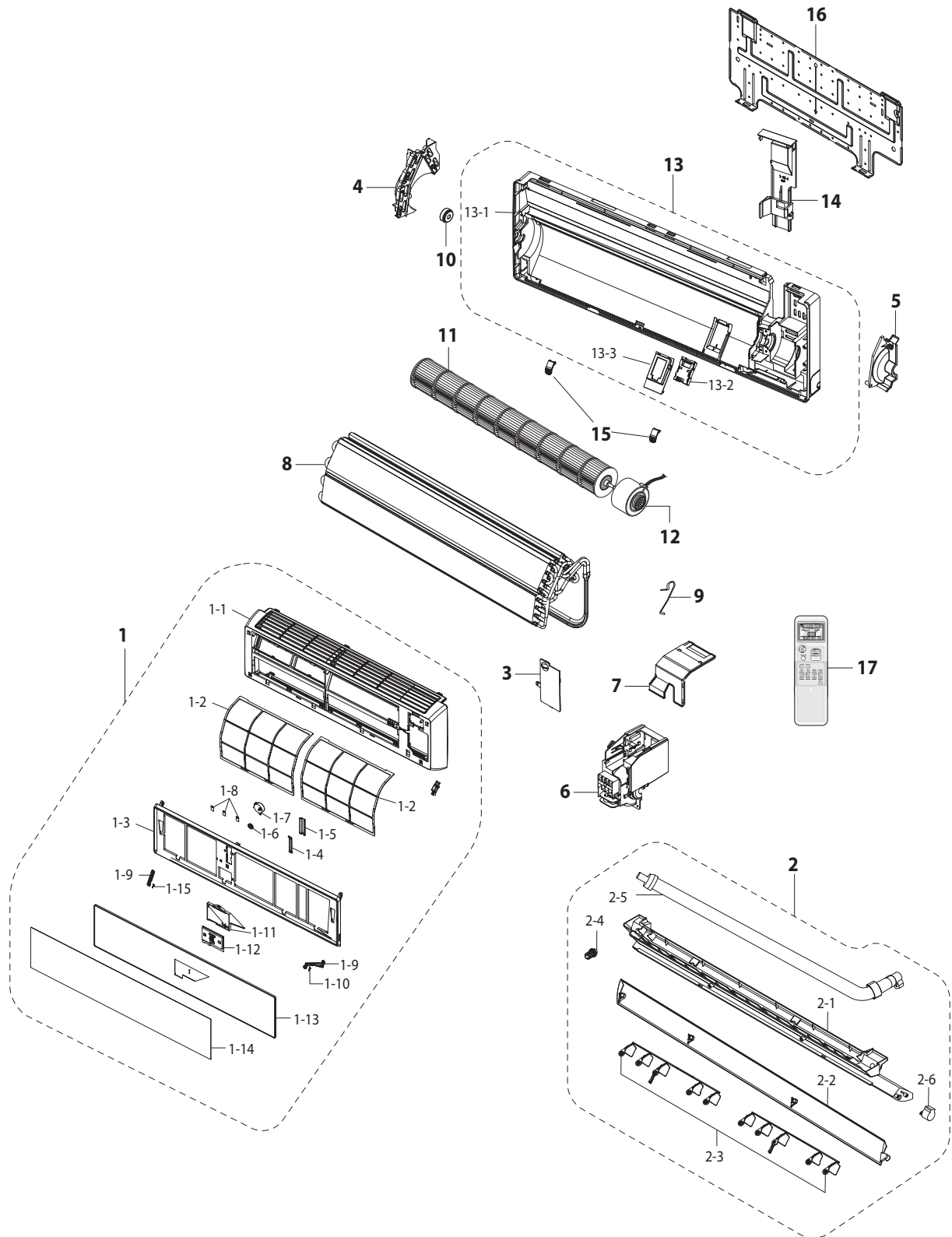
■ ND045/056/071QHXE*



■ Parts List

No.	Code No.	Description	Specification	Q'TY		SA/SNA
				ND045QHXE* ND056QHXE*	ND071QHXE*	
1	DB94-00615B	ASS'Y BACK BODY	ASS'Y	1	1	SA
1-1	DB61-01974B	BACK BODY	HIPS	1	1	SNA
1-2	DB69-01039A	CUSHION BACK BADDY	EPS	1	1	SNA
2	DB96-13822B	ASS'Y EVAP TOTAL	ASS'Y	1	-	SA
	DB96-13822C	ASS'Y EVAP TOTAL	ASS'Y	-	1	SA
2-1	DB63-01065A	COVER BEARING	ASS'Y	1	1	SNA
2-2	DB96-07606B	ASS'Y EVAP MAIN	ASS'Y	1	1	SA
2-3	DB96-06525B	ASS'Y EVAP SUB	ASS'Y	1	1	SA
2-4	DB96-07590A	ASS'Y TUBE EVAP OUT	ASS'Y	1	-	SNA
	DB96-07590B	ASS'Y TUBE EVAP OUT	ASS'Y	-	1	SNA
2-5	DB96-13804B	ASS'Y TUBE EVAP IN	ASS'Y	1	-	SNA
	DB96-13804A	ASS'Y TUBE EVAP IN	ASS'Y	-	1	SNA
2-5-1	DB62-09159A	EXPANSION VALVE	ø2.0 EEV	1	1	SA
2-6	DB60-00192A	SPACE EVAP LOW		1	1	SNA
2-7	DB73-00569A	RUBBER BUTYL	BUTYL	1	1	SA
2-8	DB73-00571A	RUBBER BUTYL	BUTYL	1	1	SA
2-9	DB73-00571B	RUBBER BUTYL	BUTYL	1	1	SA
3	DB94-00616E	ASS'Y TRAY DRAIN	ASS'Y	1	1	SA
3-1	DB63-01071A	TRAIN DRAIN	ABS	1	1	SNA
3-2	DB61-01975C	BRADE-H	HIPS	1	1	SA
3-3	DB61-01976A	BLADE-V	PP	1	1	SA
3-4	DB63-01066A	TRAY STABILIZER	ABS	1	1	SNA
3-5	DB69-01024A	CUSHION EPS TRAY RH	EPS	1	1	SA
3-6	DB73-00180A	RUBBER CAP DRAIN	GUM-EPM	1	1	SNA
3-7	DB31-00285A	ASS'Y MOTOR STEPPING	220-240V~,50/60Hz,Class E	1	1	SA
3-8	DB94-00458B	ASS'Y DRAIN HOSE	ASS'Y	1	1	SA
4	DB93-09504A	ASS'Y CONTROL IN	ASS'Y	1	1	SA
5	DB92-01235A	ASS'Y PANEL FRONT	ASS'Y	1	1	SA
5-1	DB64-01184C	PANEL FRONT	HIPS	1	1	SA
5-2	DB64-02045A	ASS'Y GRILLE AIR INLET	ASS'Y	1	1	SA
5-3	DB64-02046A	DECORATON GRILLE	PC(GRAY)	1	1	SA
5-4	DB93-02867C	ASS'Y COVER DISPLAY	ASS'Y	1	1	SA
5-5	DB63-01592C	GUARD AIR FILTER	PP	2	2	SNA
6	DB90-02738A	ASS'Y PLATE HANGER	ASS'Y	1	1	SNA
7	DB61-01981B	HOLDER PIPE	HIPS	1	1	SNA
8	DB90-05667B	ASS'Y COVER TERMINAL	ASS'Y	1	1	SA
9	DB93-03170Z	ASS'Y REMOCON	ARH-465	1	1	SA
10	DB96-03817A	ASS'Y SUPPORT EVAP RH	HIPS	1	1	SA
11	DB31-00442A	MOTOR IN	220-240V~,50/60Hz,Class E	1	1	SA
12	DB94-00456B	ASS'Y CROSS FAN	OD92xL635	1	1	SA
13	DB97-02075A	ASS'Y BOLT SPECIAL	ASS'Y	1	1	SNA
14	DB94-00455A	ASS'Y RUBBER BEARING	ASS'Y	1	1	SNA
15	DB94-40007A	ASS'Y BEARING MOTOR	BEARING	1	1	SA
16	DB61-01977A	BRACKET EVAP	SGCC-M	1	1	SA

5-1-15 Wall-mounted type(Vivace)



■ Parts List

No.	Code No.	Description	Specification	Q'TY			SA/SNA
				AVXWVH022E*	AVXWVH028E*	AVXWVH036E*	
1	DB92-01087D	ASS'Y PANEL FRONT	ASS'Y HALF MIRROR	1	-	-	SNA
	DB92-01086D	ASS'Y PANEL FRONT	ASS'Y HALF MIRROR	-	1	1	SNA
1-1	DB64-01633A	PANEL FRONT	HIPS,EMPIRE SILVER	1	-	-	SA
	DB64-01638A	PANEL FRONT	HIPS,EMPIRE SILVER	-	1	1	SA
1-2	DB63-01593A	FILTER-PRE	PP,GRAY	2	-	-	SA
	DB63-01594A	FILTER-PRE	PP,GRAY	-	2	2	SA
1-3	DB64-01634A	PANEL-MID	HIPS,EMPIRE SILVER	1	-	-	SA
	DB64-01639A	PANEL-MID	HIPS,EMPIRE SILVER	-	1	1	SA
1-4	DB66-01152A	LINK-GRILLE	POM,WHITE	1	1	1	SA
1-5	DB66-01156A	GEAR-RACK	POM,WHITE	1	1	1	SA
1-6	DB66-01155A	GEAR-PINION	POM,WHITE	1	1	1	SA
1-7	DB31-00369B	MOTOR STEP	ASS'Y	1	1	1	SA
1-8	6002-000588	SCREW-TAP	TH M4XL6	3	3	3	SNA
1-9	DB66-01176A	LINK-SUPPORT	POM,WHITE	4	4	4	SA
1-10	DB61-03139A	SPRING ETC-GRILLE	STS	1	1	1	SA
1-11	DB63-01630A	COVER-DISPLAY	ABS-FR(17)	1	1	1	SA
1-12	DB93-04452F	ASS'Y DISPLAY	ASS'Y	1	1	1	SA
1-13	DB61-02910A	FRAME-GRILLE	ASS'Y	1	1	1	SA
1-14	DB92-01052A	WINDOW-MIRROR	ACRYL	1	-	-	SNA
	DB64-01052B	WINDOW-MIRROR	ACRYL	-	1	1	SNA
1-15	DB61-03139B	SPING ETC-GRILLE	STS	1	1	1	SA
2	DB94-01237A	ASS'Y TRAY DRAIN	ASS'Y	1	-	-	SA
	DB94-01245A	ASS'Y TRAY DRAIN	ASS'Y	-	1	1	SA
2-1	DB63-01578A	TRAY DRAIN	ASS'Y	1	-	-	SA
	DB63-01581A	TRAY DRAIN	ASS'Y	-	1	1	SA
2-2	DB61-02908A	BLADE-H	ABS, EMPIRE SILVER	1	-	-	SA
	DB61-02914A	BLADE-H	ABS, EMPIRE SILVER	-	1	1	SA
2-3	DB61-01636A	BLADE-V	PP	2	-	-	SA
	DB61-01976A	BLADE-V	PP	-	2	2	SA
2-4	DB73-00180A	RUBBER-CAP DRAIN	GUM-EPM	1	1	1	SNA
2-5	DB94-00458B	ASS'Y DRAIN-HOSE	ASS'Y	1	1	1	SA
2-6	DB31-00371A	MOTOR STEP	ASS'Y	1	-	-	SA
	DB31-00370A	MOTOR STEP	ASS'Y	-	1	1	SA
3	DB63-00844D	COVER-TERMINAL	HIPS,V0	1	-	-	SA
	DB63-01063C	COVER-TERMINAL	HIPS,V0	-	1	1	SA
4	DB63-00850A	COVER-BEARING	ABS,BLACK	1	-	-	SNA
	DB63-01065A	COVER-BEARING	ABS,BLACK	-	1	1	SNA
5	DB96-03149A	ASS'Y EVAP-SUPPORT RH	ASS'Y	1	-	-	SA
	DB96-03817A	ASS'Y EVAP-SUPPORT RH	ASS'Y	-	1	1	SA
6	DB93-04636B	ASS'Y CONTROL IN	ASS'Y	1	-	-	SNA
	DB93-04664B	ASS'Y CONTROL IN	ASS'Y	-	1	1	SNA

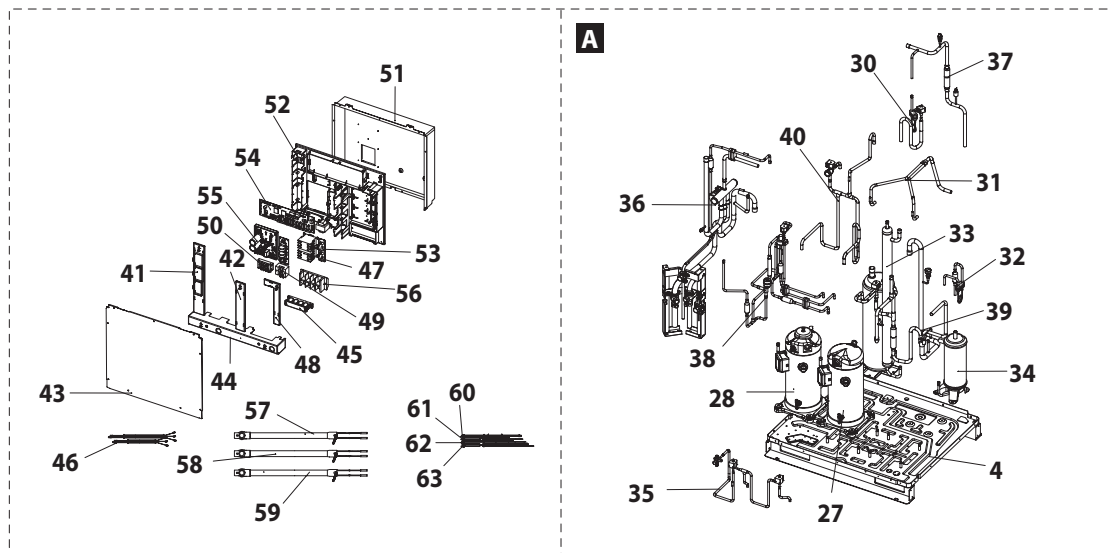
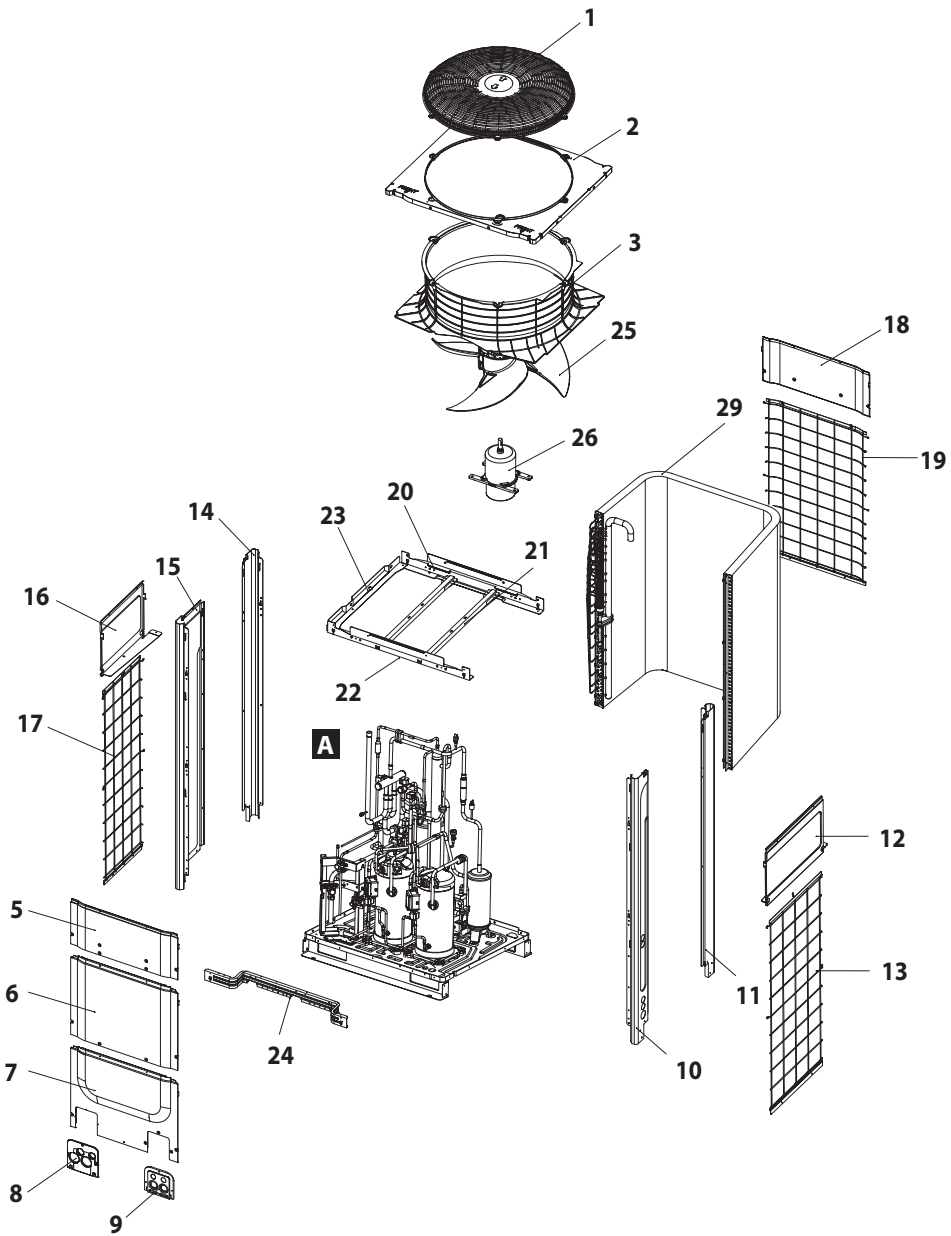
■ Parts List(cont.)

No.	Code No.	Description	Specification	Q'TY			SA/SNA
				AVXWVH022E*	AVXWVH056E*	AVXWVH071E*	
7	DB90-02167B	ASS'Y COVER-CONTROL IN	ASS'Y	1	-	-	SA
	DB90-02082A	ASS'Y COVER-CONTROL IN	ASS'Y	-	1	1	SA
8	DB96-07856A	ASS'Y EVAP-TOTAL	ASS'Y	1	-	-	SNA
	DB96-06587D	ASS'Y EVAP-TOTAL	ASS'Y	-	-	1	SNA
	DB96-07855A	ASS'Y EVAP-TOTAL	ASS'Y	-	1	-	SNA
9	DB67-60030A	SPRING-SENSOR	STS301	2	2	2	SNA
10	DB94-00455A	ASS'Y BEARING-RUBBER	ASS'Y	1	1	1	SA
11	DB94-00456A	ASS'Y-CROSS FAN	ASS'Y	1	-	-	SA
	DB94-00456B	ASS'Y-CROSS FAN	ASS'Y	-	1	1	SA
12	DB31-00219A	MOTOR FAN	ASS'Y	1	-	-	SA
	DB31-00267A	MOTOR FAN	ASS'Y	-	1	1	SA
13	DB94-01152B	ASS'Y-BODY BACK	ASS'Y	1	-	-	SA
	DB94-01153B	ASS'Y-BODY BACK	ASS'Y	-	1	1	SA
13-1	DB61-03028A	BODY BACK	HIPS	1	-	-	SA
	DB61-03029A	BODY BACK	HIPS	-	1	1	SA
13-2	DB93-04230A	ASS'Y-COMPACT MPI	ASS'Y	1	-	-	SA
13-3	DB63-01583A	COVER-MPI	HIPS	1	-	-	SA
14	DB61-01638B	HOLDER-PIPE	HIPS	1	-	-	SA
	DB61-01981B	HOLDER-PIPE	HIPS	-	1	1	SA
15	DB67-00499C	CAP-SCREW	HIPS,EMPIRE SILVER	2	2	2	SA
16	DB97-02851B	PLATE-HANGER	SGCC-M	1	-	-	SNA
	DB90-02738A	PLATE-HANGER	SGCC-M	-	1	1	SNA
17	DB93-04700S	ASS'Y REMOCON	ASS'Y	1	1	1	SA

MEMO

5-2 Outdoor Unit

5-2-1 RVXVHT080/100/120GE, RVXVHT080/100/120GG



■ Parts List

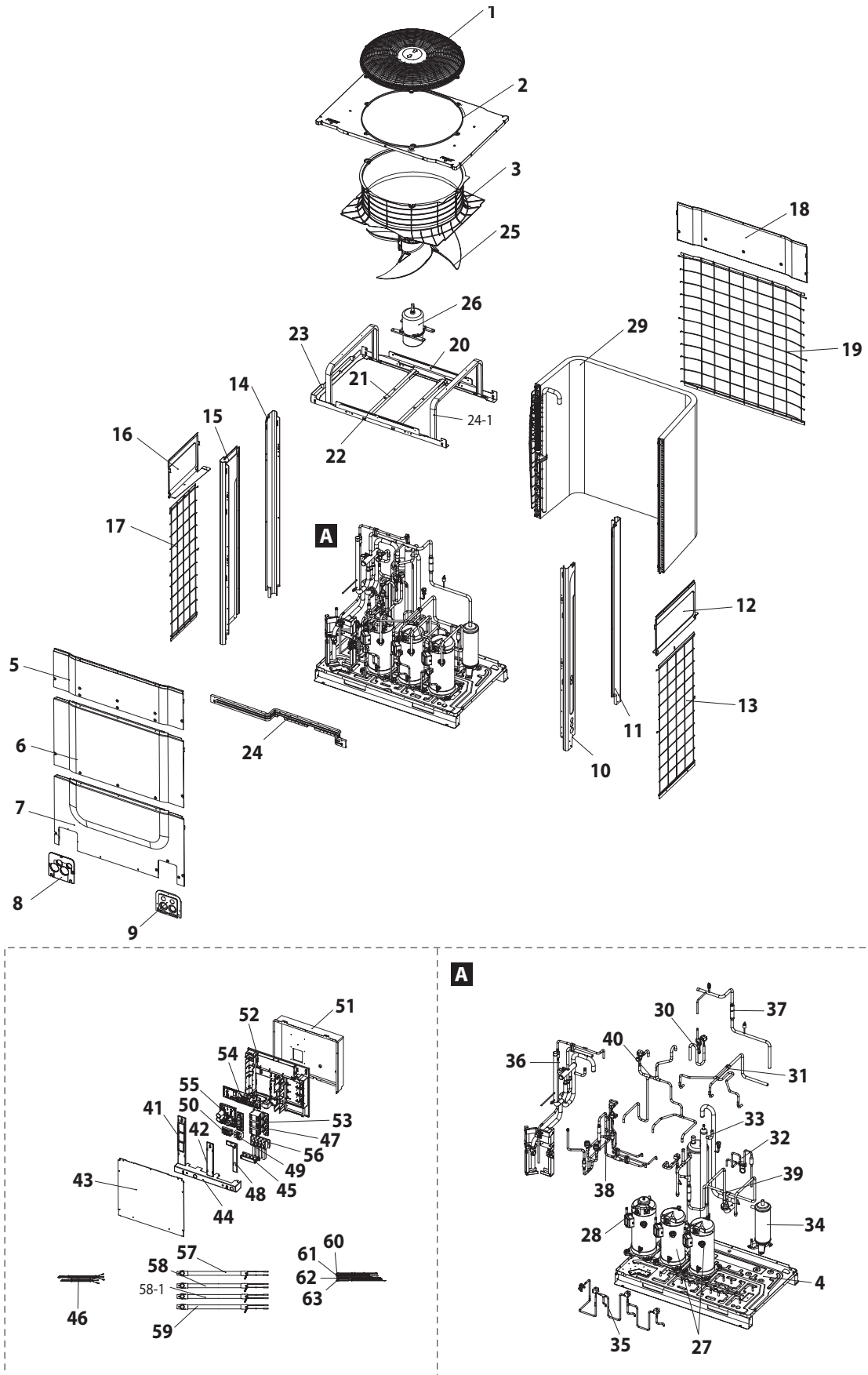
No.	Code No.	Description	Specification	Q'TY			SA/SNA
				RVXVHT080GE RVXVHT080GG	RVXVHT100GE RVXVHT100GG	RVXVHT120GE RVXVHT120GG	
1	DB63-01925A	GUARD-FAN	PP, TOUCH GRAY	1	1	1	SA
2	DB90-02119A	ASS'Y COVER-TOP	ASS'Y, PP, TOUCH GRAY	1	1	1	SA
3	DB62-03304A	BELLOW-MOUTH	PP, TOUCH GRAY	1	1	1	SA
4	DB90-02141A	ASS'Y BASE COMP	ASS'Y	1	1	1	SNA
5	DB90-02121C	ASS'Y CABI FRONT-UP 10HP	ASS'Y	1	1	1	SA
6	DB90-02122C	ASS'Y CABI FRONT-MID 10HP	ASS'Y	1	1	1	SA
7	DB90-02123B	ASS'Y CABI FRONT-LOW	ASS'Y	1	1	1	SA
8	DB63-01921A	COVER-VALVE	PP, TOUCH GRAY	1	1	1	SA
9	DB63-01441A	COVER-PLATE	SECC-P;t0.8, TOUCH GRAY	1	1	1	SA
10	DB90-02125A	ASS'Y CABI FRONT-SIDE RH	ASS'Y	1	1	1	SA
11	DB90-02127A	ASS'Y CABI BACK-SIDE RH	ASS'Y	1	1	1	SA
12	DB90-02129B	ASS'Y CABINET-SIDE RH	ASS'Y	1	1	1	SA
13	DB90-02319A	ASS'Y-GUARD COND RH	ASS'Y	1	1	1	SA
14	DB90-02126A	ASS'Y CABI BACK-SIDE LF	ASS'Y	1	1	1	SA
15	DB90-03317B	ASS'Y CABI FRONT-SIDE LF	ASS'Y	1	1	1	SA
16	DB90-02128B	ASS'Y CABINET-SIDE LF	ASS'Y	1	1	1	SA
17	DB90-02318A	ASS'Y-GUARD COND LF	ASS'Y	1	1	1	SA
18	DB90-02130B	ASS'Y CABI BACK-UP 10HP	ASS'Y	1	1	1	SNA
19	DB90-02317A	ASS'Y-GUARD COND BACK	ASS'Y	1	1	1	SNA
20	DB90-02145C	ASS'Y-BACK BEAM UP 10	ASS'Y	1	1	1	SNA
21	DB61-02255A	BRACKET MOTOR	SGCC-M,t2.0	2	2	2	SA
22	DB90-02143B	ASS'Y-FRONT BEAM UP	ASS'Y	1	1	1	SNA
23	DB90-02638A	ASS'Y-PLATE BEAM SIDE LF	ASS'Y	1	1	1	SNA
24	DB90-02147C	ASS'Y-FRONT BEAM LOW	ASS'Y	1	1	1	SNA
25	DB31-00298A	FAN PROPELLER	AS+G/F20%	1	1	1	SA
26	DB31-00330B	MOTOR FAN	UGBTEF-13LSAM02	1	1	1	SA
27	DB95-01456C	ASS'Y COMP-EVI (FIXED)	ZPI61KCE-TFD-496	1	1	-	SA
	DB95-01456E	ASS'Y COMP-EVI (FIXED)	ZPI83KCE-TFD-496	-	-	1	SA
28	DB95-01468C	ASS'Y COMP-EVI (DIGITAL)	ZPJ61KCE-TFD-496	1	1	-	SA
	DB95-01468E	ASS'Y COMP-EVI (DIGITAL)	ZPJ83KCE-TFD-496	-	-	1	SA
29	DB96-09442A	ASS'Y COND OUT-A	ASS'Y	1	1	1	SA
30	DB96-08403B	ASS'Y-TUBE HOT-GAS BYPASS	ASS'Y	1	1	1	SNA
31	DB96-08421A	ASS'Y TUBE DISCHARGE-A	ASS'Y	1	1	1	SA
32	DB96-08431B	ASS'Y TUBE-OIL RETURN A50	ASS'Y	1	1	1	SNA
33	DB96-08503B	ASS'Y-ACCUM SUBCOOLER 12HP	ASS'Y	1	1	1	SNA
34	DB96-08688A	ASS'Y-OIL SEPAPATOR 12HP	ASS'Y	1	1	1	SA
35	DB96-08773A	ASS'Y TUBE-OIL BALANCE VALVE-A	ASS'Y	1	1	1	SNA
36	DB96-08842B	ASS'Y-TUBE 4WAY LIQUID SVC VV D	ASS'Y	-	-	1	SNA
	DB96-08887B	ASS'Y-TUBE 4WAY LIQUID SVC VV C	ASS'Y	1	1	-	SNA
37	DB96-08923A	ASS'Y-TUBE OIL SEPA OUT A	ASS'Y	1	1	1	SNA
38	DB96-08933B	ASS'Y-EXPANSION BYPASS VALVE B	ASS'Y	1	1	1	SNA
39	DB96-09011A	ASS'Y TUBE SUCTION-PWM A50	ASS'Y	1	1	1	SNA

■ Parts List(cont.)

No.	Code No.	Description	Specification	Q'TY			SA/SNA
				RVXVHT080GE RVXVHT080GG	RVXVHT100GE RVXVHT100GG	RVXVHT120GE RVXVHT120GG	
40	DB96-09026A	ASS'Y TUBE-VAPOR INJECTION A 50	ASS'Y	1	1	1	SNA
41	DB63-01361D	COVER-CONTROL IN	ABS 5V	1	1	1	SNA
42	DB63-01361E	COVER-CONTROL IN	ABS 5V	1	1	1	SNA
43	DB90-02149A	ASS'Y COVER CONTROL-BOX	ASS'Y	1	1	1	SA
44	DB90-02270A	ASS'Y COVER-CONTROL WIRE	ASS'Y	1	1	1	SNA
45	DB90-03795A	ASS'Y-SUPPORT WIRE	ABS 5V	1	1	1	SA
46	DB93-06071A	ASS'Y-COMP WIRE	ASS'Y	1	1	1	SA
47	DB35-00049A	RELAY	XMCO-253LBBC,25A	2	2	2	SA
48	DB63-01361F	COVER-CONTROL IN	ABS 5V	1	1	1	SNA
49	DB65-00209A	TERMINAL BLOCK-AC	DATA 60A,AC 1500V 10mA	1	1	1	SA
50	DB65-40062T	TERMINAL BLOCK	ASS'Y	1	1	1	SA
51	DB64-01311C	CONTROL-BOX BODY	SGCC-M,t0.8	1	1	1	SNA
52	DB90-03826A	ASS'Y CASE CONTROL IN	ASS'Y	1	1	1	SNA
53	DB93-05702B	ASS'Y PCB SUB	ASS'Y	1	1	1	SA
54	DB93-06075F	ASS'Y PCB MAIN-OUT	ASS'Y	1	-	-	SA
	DB93-06075G	ASS'Y PCB MAIN-OUT	ASS'Y	-	1	-	SA
	DB93-06075H	ASS'Y PCB MAIN-OUT	ASS'Y	-	-	1	SA
55	DB93-06543A	ASS'Y-BLDC DRIVER	ASS'Y	1	1	1	SA
56	DB95-01098A	ASS'Y-TERMINAL BLOCK	ASS'Y	1	1	1	SA
57	DB95-00766G	ASS'Y COMP-HEATER	ASS'Y	1	1	1	SA
58	DB95-00766F	ASS'Y COMP-HEATER	ASS'Y	1	1	1	SA
59	DB95-01425B	ASS'Y-BELT HEATER	ASS'Y	-	-	-	SNA
60	DB95-00648D	ASS'Y DISCHARGE SENSOR	ASS'Y	1	1	1	SA
61	DB95-01254C	ASS'Y SENSOR-THERMISTOR	ASS'Y	1	1	1	SA
62	DB95-01364A	ASS'Y-THERMISTOR OUT SUMP	ASS'Y	1	1	1	SA
63	DB95-01379A	ASS'Y THEMISTOR-EVI IN OUT	ASS'Y	1	1	1	SA

MEMO

5-2-2 RVXVHT140/160GE, RVXVHT140/160GG



■ Parts List

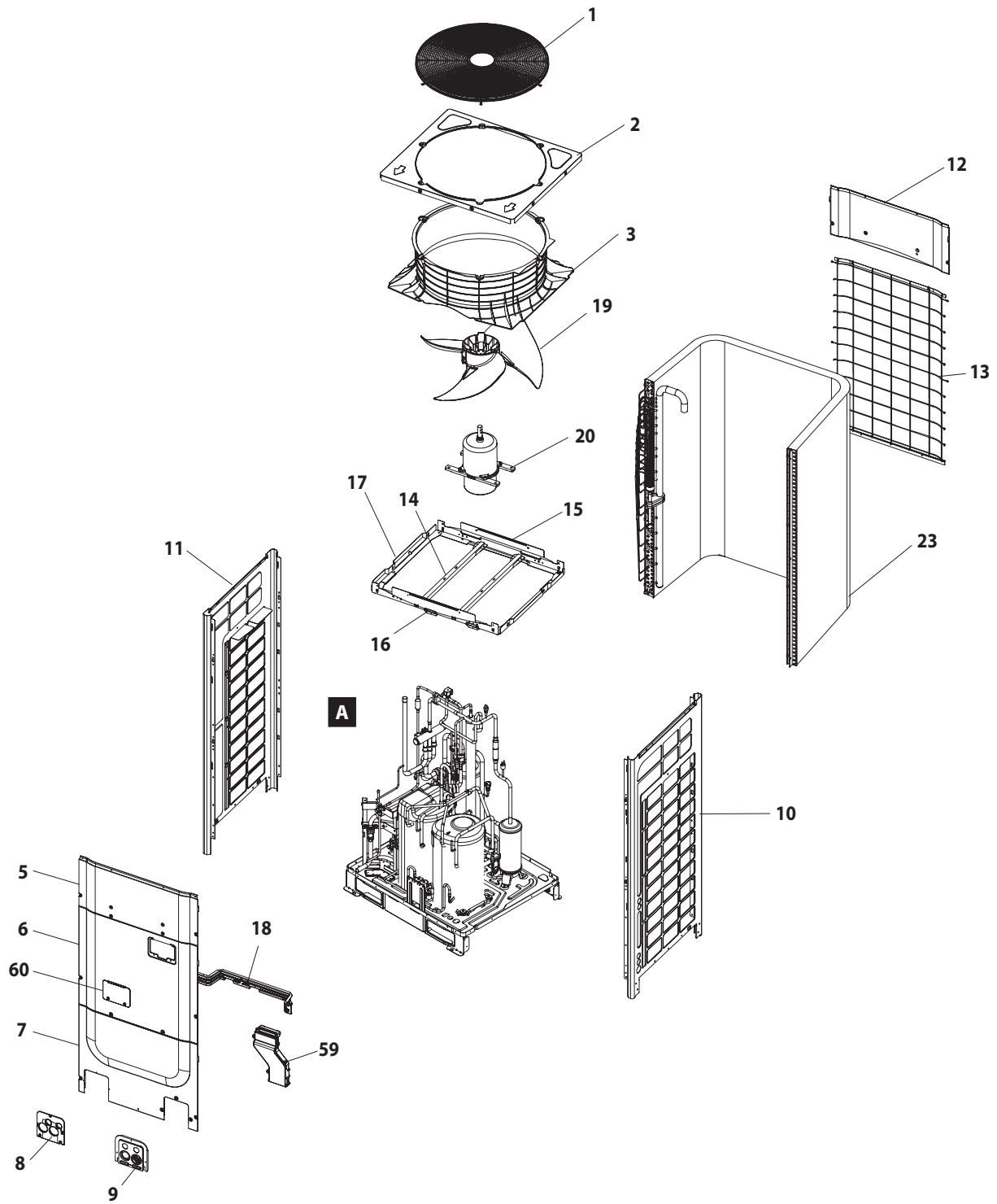
No.	Code No.	Description	Specification	Q'TY		SA/SNA
				RVXVHT140GE RVXVHT140GG	RVXVHT160GE RVXVHT160GG	
1	DB63-01925A	GUARD-FAN	PP, TOUCH GRAY	1	1	SA
2	DB90-02120A	ASS'Y COVER-TOP	ASS'Y, PP, TOUCH GRAY	1	1	SA
3	DB62-03304A	BELLOW-MOUTH	PP, TOUCH GRAY	1	1	SA
4	DB90-02142A	ASS'Y BASE COMP	ASS'Y	1	1	SNA
5	DB90-02131C	ASS'Y CABI FRONT-UP 14HP	ASS'Y	1	1	SA
6	DB90-02132C	ASS'Y CABI FRONT-MID 14HP	ASS'Y	1	1	SA
7	DB90-02133B	ASS'Y CABI FRONT-LOW	ASS'Y	1	1	SA
8	DB63-01921A	COVER-VALVE	PP, TOUCH GRAY	1	1	SA
9	DB63-01441A	COVER-PLATE	SECC-P,t0.8, TOUCH GRAY	1	1	SA
10	DB90-02125A	ASS'Y CABI FRONT-SIDE RH	ASS'Y	1	1	SA
11	DB90-02127A	ASS'Y CABI BACK-SIDE RH	ASS'Y	1	1	SA
12	DB90-02129B	ASS'Y CABINET-SIDE RH	ASS'Y	1	1	SA
13	DB90-02319A	ASS'Y-GUARD COND RH	ASS'Y	1	1	SA
14	DB90-02126A	ASS'Y CABI BACK-SIDE LF	ASS'Y	1	1	SA
15	DB90-03317B	ASS'Y CABI FRONT-SIDE LF	ASS'Y	1	1	SA
16	DB90-02128B	ASS'Y CABINET-SIDE LF	ASS'Y	1	1	SA
17	DB90-02318A	ASS'Y-GUARD COND LF	ASS'Y	1	1	SA
18	DB90-02140B	ASS'Y CABI BACK-UP 14HP	ASS'Y	1	1	SNA
19	DB90-02320A	ASS'Y-GUARD COND BACK	ASS'Y	1	1	SNA
20	DB90-02146C	ASS'Y-BACK BEAM UP 14	ASS'Y	1	1	SNA
21	DB61-02255A	BRACKET MOTOR	SGCC-M,t2.0	2	2	SA
22	DB90-02144B	ASS'Y-FRONT BEAM UP	ASS'Y	1	1	SNA
23	DB90-02638A	ASS'Y-PLATE BEAM SIDE LF	ASS'Y	1	1	SNA
24	DB90-02148C	ASS'Y-FRONT BEAM LOW	ASS'Y	1	1	SNA
24-1	DB61-02299A	SUPPORT-TOP	SGCC-M,t2.0	2	2	SA
25	DB31-00298A	FAN PROPELLER	AS+G/F20%	1	1	SA
26	DB31-00330B	MOTOR FAN	UGBTEF-13LSAM02	1	1	SA
27	DB95-01456C	ASS'Y COMP-EVI (FIXED)	ZPI61KCE-TFD-496	2	-	SA
	DB95-01456D	ASS'Y COMP-EVI (FIXED)	ZPI72KCE-TFD-496	-	2	SA
28	DB95-01468D	ASS'Y COMP-EVI (DIGITAL)	ZPJ72KCE-TFD-496	1	1	SA
29	DB96-09443A	ASS'Y COND OUT-B	ASS'Y	-	1	SA
	DB96-09444A	ASS'Y COND OUT-C	ASS'Y	1	-	SA
30	DB96-08403C	ASS'Y-TUBE HOT-GAS BYPASS	ASS'Y	1	1	SNA
31	DB96-08422A	ASS'Y TUBE DISCHARGE-B	ASS'Y	1	1	SA
32	DB96-08432B	ASS'Y TUBE-OIL RETURN B	ASS'Y	1	1	SNA
33	DB96-08502B	ASS'Y-ACCUM SUBCOOLER 16HP	ASS'Y	1	1	SNA
34	DB96-08687A	ASS'Y-OIL SEPAPATOR 16HP	ASS'Y	1	1	SA
35	DB96-08774B	ASS'Y TUBE-OIL BALANCE VALVE B	ASS'Y	1	1	SNA
36	DB96-08903B	ASS'Y-TUBE 4WAY LIQUID SVC VV F	ASS'Y	1	1	SNA
37	DB96-08924A	ASS'Y-TUBE OIL SEPA OUT B	ASS'Y	1	1	SNA
38	DB96-08932B	ASS'Y-EXPANSION BYPASS VALVE D	ASS'Y	1	1	SNA
39	DB96-08988A	ASS'Y TUBE SUCTION-PWM B50	ASS'Y	1	1	SNA
40	DB96-08989A	ASS'Y TUBE-VAPOR INJECTION B 50	ASS'Y	1	1	SNA

■ Parts List(cont.)

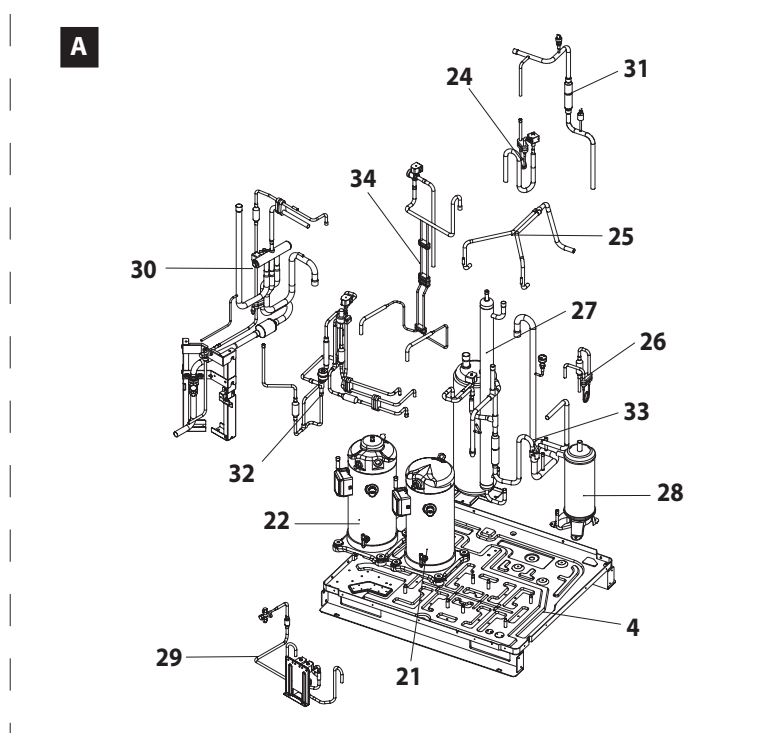
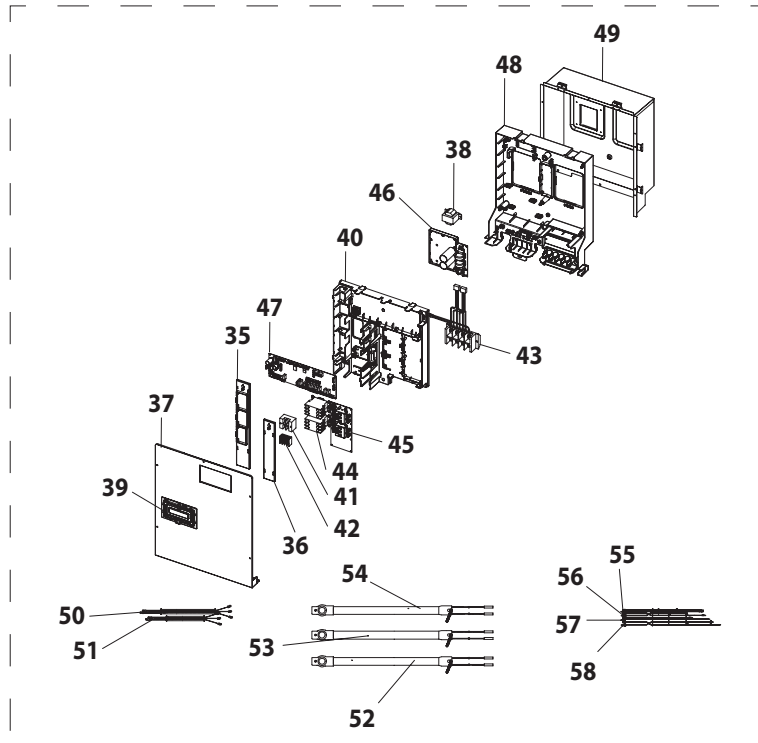
No.	Code No.	Description	Specification	Q'TY		SA/SNA
				RVXVHT140GE RVXVHT140GG	RVXVHT160GE RVXVHT160GG	
41	DB63-01361D	COVER-CONTROL IN	ABS 5V	1	1	SNA
42	DB63-01361E	COVER-CONTROL IN	ABS 5V	1	1	SNA
43	DB90-02149A	ASS'Y COVER CONTROL-BOX	ASS'Y	1	1	SA
44	DB90-02270A	ASS'Y COVER-CONTROL WIRE	ASS'Y	1	1	SNA
45	DB90-03795A	ASS'Y-SUPPORT WIRE	ABS 5V	1	1	SA
46	DB93-06072A	ASS'Y-COMP WIRE	ASS'Y	1	1	SA
47	DB35-00049A	RELAY	XMCO-253LBBC,25A	3	3	SA
48	DB63-01361F	COVER-CONTROL IN	ABS 5V	1	1	SNA
49	DB65-00209A	TERMINAL BLOCK-AC	DATA 60A,AC 1500V 10mA	1	1	SA
50	DB65-40062T	TERMINAL BLOCK	ASS'Y	1	1	SA
51	DB64-01311C	CONTROL-BOX BODY	SGCC-M,t0.8	1	1	SNA
52	DB90-03826A	ASS'Y CASE CONTROL IN	ASS'Y	1	1	SNA
53	DB93-05702A	ASS'Y PCB SUB	ASS'Y	1	1	SA
54	DB93-06075J	ASS'Y PCB MAIN-OUT	ASS'Y	1	-	SA
	DB93-06075K	ASS'Y PCB MAIN-OUT	ASS'Y	-	1	SA
55	DB93-06543A	ASS'Y-BLDC DRIVER	ASS'Y	1	1	SA
56	DB95-01098A	ASS'Y-TERMINAL BLOCK	ASS'Y	1	1	SA
57	DB95-00766E	ASS'Y COMP-HEATER	ASS'Y	1	1	SA
58	DB95-00766G	ASS'Y COMP-HEATER	ASS'Y	1	1	SA
58-1	DB95-00766H	ASS'Y COMP-HEATER	ASS'Y	1	1	SA
59	DB95-01425A	ASS'Y-BELT HEATER	ASS'Y	-	-	SNA
60	DB95-00648E	ASS'Y DISCHARGE SENSOR	ASS'Y	1	1	SA
61	DB95-01254D	ASS'Y SENSOR-THERMISTOR	ASS'Y	1	1	SA
62	DB95-01364B	ASS'Y THEMISTOR-OUT SUMP	ASS'Y	1	1	SA
63	DB95-01379B	ASS'Y THEMISTOR-EVI INOUT	ASS'Y	1	1	SA

MEMO

5-2-3 RVXVHT080/100/120GE-01



RVXVHT080/100/120GE-01(cont.)



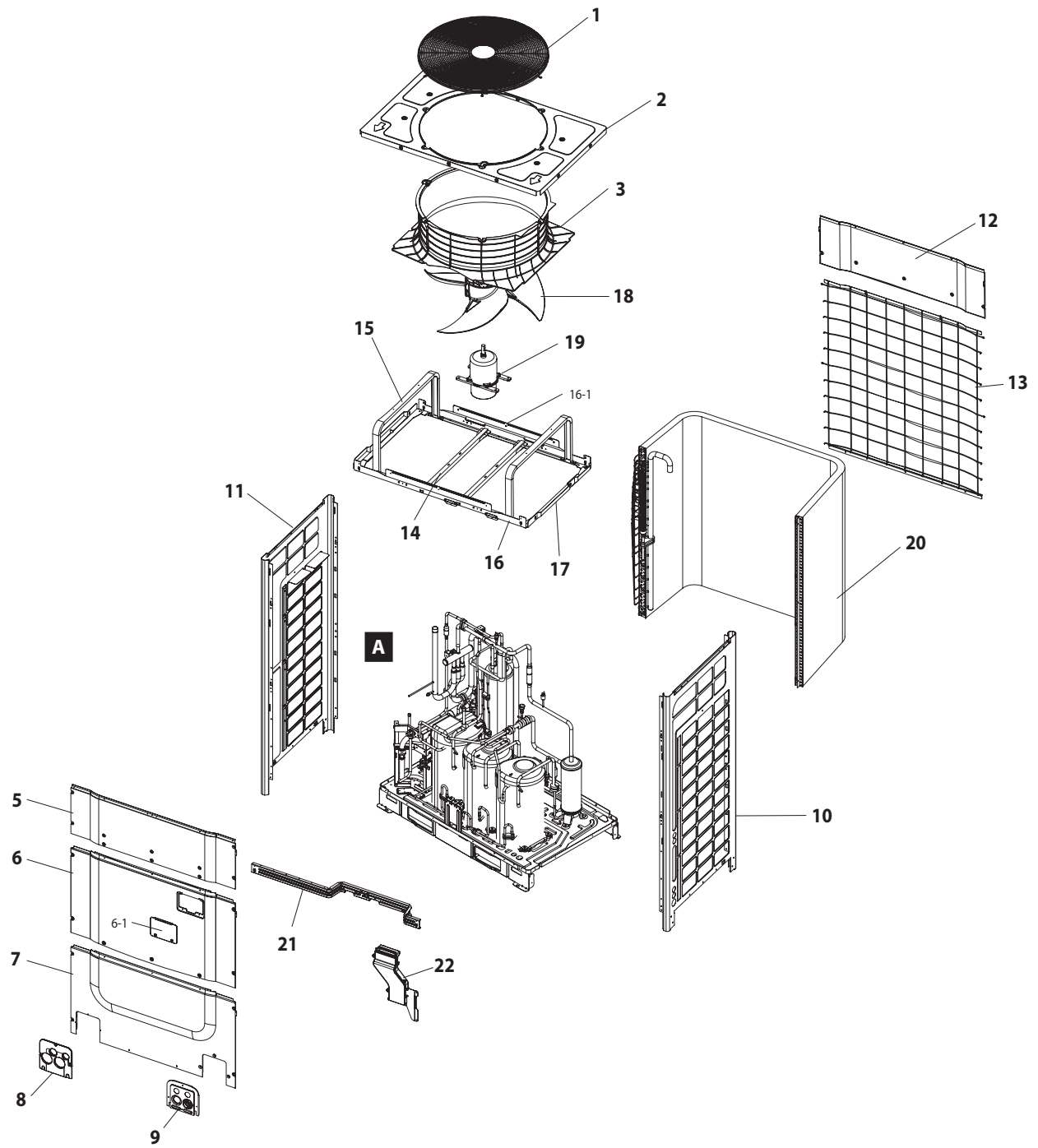
■ Parts List

No.	Code No.	Description	Specification	Q'TY			SA/SNA
				RVXVHT080GE-01	RVXVHT100GE-01	RVXVHT120GE-01	
1	DB63-02614A	GUARD FAN-LARGE PD	MSWR-SWRM, TOUCH GRAY	1	1	1	SA
2	DB63-02618A	COVER TOP-PD SMALL	EGI-SECC, T1.2, TOUCH GRAY	1	1	1	SA
3	DB62-03304B	BELLOW-MOUTH	PP,TOUCH GRAY	1	1	1	SA
4	DB90-04731A	ASS'Y BASE-OUTDOOR 10HP	ASS'Y	1	1	1	SNA
5	DB90-02121C	ASS'Y CABI FRONT-UP 10HP	ASS'Y	1	1	1	SA
6	DB90-05506A	ASS'Y CABI FRONT-MID 10HP	ASS'Y	1	1	1	SA
7	DB90-02123B	ASS'Y CABI FRONT-LOW	ASS'Y	1	1	1	SA
8	DB63-01921A	COVER-VALVE	PP,TOUCH GRAY	1	1	1	SA
9	DB90-05441B	ASS'Y COVER-PLATE	ASS'Y	1	1	1	SA
10	DB90-04734B	ASS'Y CABINET-SIDE RH	ASS'Y	1	1	1	SA
11	DB90-04735A	ASS'Y CABINET-SIDE LF	ASS'Y	1	1	1	SA
12	DB90-02130B	ASS'Y CABI BACK-UP 10HP	ASS'Y	1	1	1	SA
13	DB90-02317A	ASS'Y-GUARD COND BACK	ASS'Y	1	1	1	SA
14	DB61-02255A	BRACKET MOTOR	SGCC-M,T2.0	2	2	2	SA
15	DB90-02145C	ASS'Y-BACK BEAM UP 10	ASS'Y	1	1	1	SNA
16	DB90-05227B	ASS'Y-FRONT BEAM UP 12HP	ASS'Y	1	1	1	SNA
17	DB90-02638B	ASS'Y-PLATE BEAM SIDE LF	ASS'Y	2	2	2	SNA
18	DB90-05226B	ASS'Y-FRONT BEAM CONTROL BOX 12HP	ASS'Y	1	1	1	SNA
19	DB31-00298A	FAN PROPELLER	AS+G/F20%	1	1	1	SA
20	DB31-00330C	MOTOR FAN	DL-13890SSOA/B	1	1	1	SA
21	DB95-01456C	ASS'Y COMP-EVI (8/10HP)	ZPI61KCE-TFD-496	1	1	-	SA
	DB95-01456E	ASS'Y COMP-EVI (12HP)	ZPI83KCE-TFD-496	-	-	1	SA
22	DB95-01468C	ASS'Y COMP-EVI (8/10HP)	ZPJ61KCE-TFD-496	1	1	-	SA
	DB95-01468E	ASS'Y COMP-EVI (12HP)	ZPJ83KCE-TFD-496	-	-	1	SA
23	DB96-09442A	ASS'Y COND OUT-A	ASS'Y	1	1	1	SA
24	DB96-14127A	ASS'Y-TUBE HOT-GAS BYPASS	ASS'Y	1	1	1	SA
25	DB96-08421A	ASS'Y TUBE DISCHARGE-A	ASS'Y	1	1	1	SA
26	DB96-08431B	ASS'Y TUBE-OIL RETURN A50	ASS'Y	1	1	1	SA
27	DB96-14111A	ASS'Y-ACCUM SUBCOOLER SMALL	ASS'Y	1	1	1	SA
28	DB96-13705A	ASS'Y-OIL SEPARATOR 12HP	ASS'Y	1	1	1	SA
29	DB96-11587F	ASS'Y TUBE-OIL BALANCE VALVE A	ASS'Y	1	1	1	SA
30	DB96-14076A	ASS'Y-TUBE 4WAY LIQUID SVC VV C (8/10HP)	ASS'Y	1	1	-	SA
	DB96-14077A	ASS'Y-TUBE 4WAY LIQUID SVC VV C (12HP)	ASS'Y	-	-	1	SA
31	DB96-08923D	ASS'Y-TUBE OIL SEPA OUT A	ASS'Y	1	1	1	SA
32	DB96-08933B	ASS'Y-EXPANSION BYPASS VALVE B	ASS'Y	1	1	1	SA
33	DB96-09011A	ASS'Y TUBE SUCTION-PWM A50	ASS'Y	1	1	1	SA
34	DB96-14096A	ASS'Y-TUBE VAPOR INJECTION-A	ASS'Y	1	1	1	SA
35	DB63-01361D	COVER-CONTROL IN	ABS,5V	1	1	1	SNA
36	DB63-01361E	COVER-CONTROL IN	ABS,5V	1	1	1	SNA
37	DB90-05180A	ASS'Y COVER CONTROL-BOX	ASS'Y	1	1	1	SA
38	DB26-00103B	TRANS POWER	ASS'Y	1	1	1	SA
39	DB90-03829A	ASS'Y-WINDOW DISPLAY	ASS'Y	1	1	1	SNA

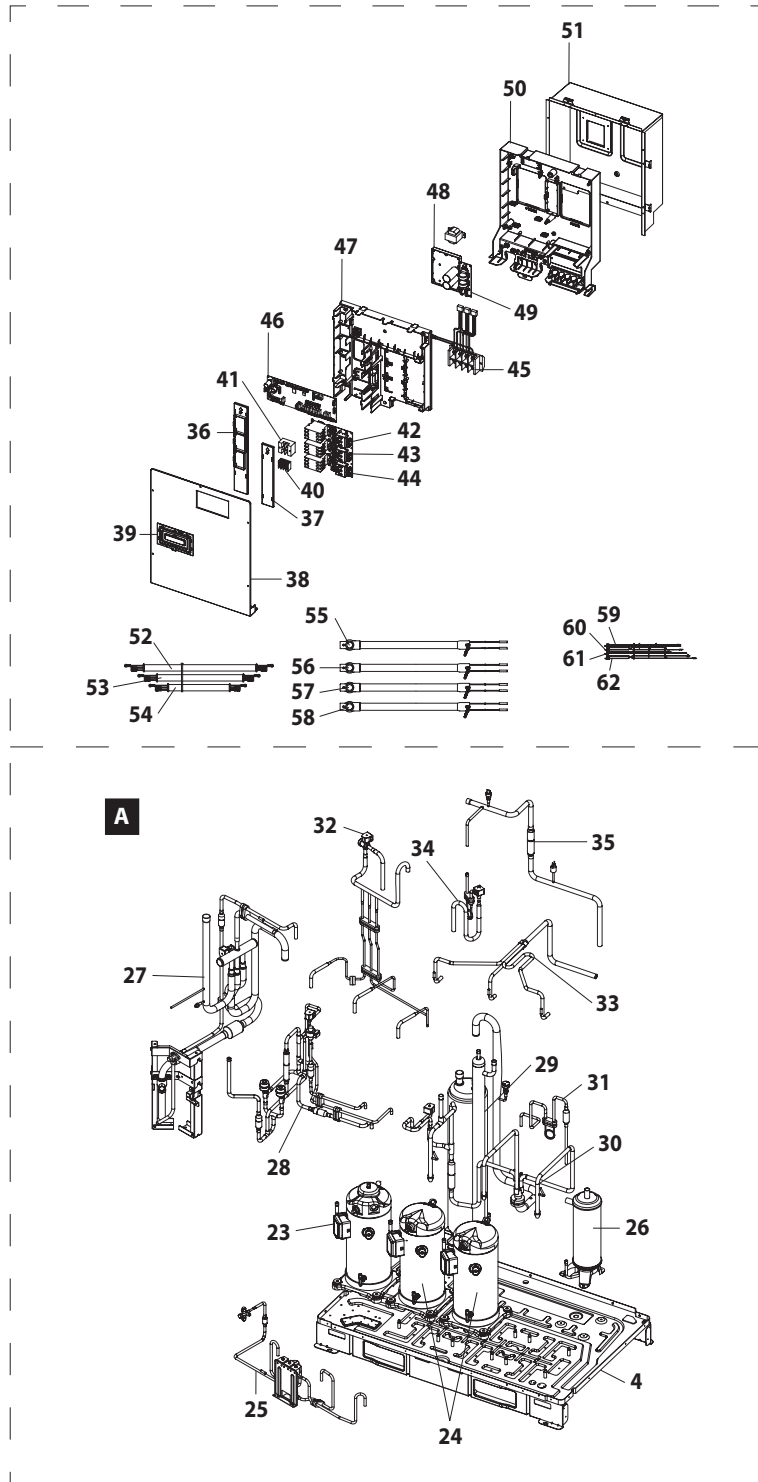
■ Parts List(cont.)

No.	Code No.	Description	Specification	Q'TY			SA/SNA
				RVXVHT080GE-01	RVXVHT100GE-01	RVXVHT120GE-01	
40	DB61-04069A	CASE CONTROL-IN UPPER	ABS,5V	1	1	1	SNA
41	DB65-00209B	TERMINAL BLOCK-AC	DATA60A,AC1500V,10mA	1	1	1	SA
42	DB65-00179D	TERMINAL BLOCK	ASS'Y	1	1	1	SA
43	DB93-08640B	ASS'Y CONNECTOR WIRE-TERMINAL BLOCK	ASS'Y	1	1	1	SNA
44	DB35-00044A	RELAY	XMCO-252IBBC,20A	2	2	2	SA
45	DB93-08814A	ASS'Y PCB SUB-SENSOR	ASS'Y	1	1	1	SA
46	DB93-06543J	ASS'Y-BLDC DRIVER	ASS'Y	1	1	1	SA
47	DB93-09987A	ASS'Y PCB MAIN-OUT (8HP)	ASS'Y	1	-	-	SA
	DB93-09987B	ASS'Y PCB MAIN-OUT (10HP)	ASS'Y	-	1	-	SA
	DB93-09987C	ASS'Y PCB MAIN-OUT (12HP)	ASS'Y	-	-	1	SA
48	DB61-04070A	CASE CONTROL-IN LOWER	ABS,5V	1	1	1	SNA
49	DB64-02488B	CABINET-CONTROL BOX	SGCC-M,T0.8	1	1	1	SNA
50	DB93-08300H	ASS'Y CONNECTOR WIRE-COMP	ASS'Y	1	1	1	SA
51	DB93-08300J	ASS'Y CONNECTOR WIRE-COMP	ASS'Y	1	1	1	SA
52	DB95-00766G	ASS'Y COMP-HEATER	ASS'Y	1	1	1	SA
53	DB95-00766F	ASS'Y COMP-HEATER	ASS'Y	1	1	1	SA
54	-	-	-	-	-	-	-
55	DB95-01959D	ASS'Y THERMISTOR-DISCHARGE	ASS'Y	1	1	1	SA
56	DB95-01965C	ASS'Y THERMISTOR-OUTDOOR	ASS'Y	1	1	1	SA
57	DB95-01962A	ASS'Y THERMISTOR OUT-SUMP	ASS'Y	1	1	1	SA
58	DB95-01960A	ASS'Y THERMISTOR-EVA IN OUT	ASS'Y	1	1	1	SA
59	DB90-05455A	ASS'Y CASE-WIRE DUCT	ASS'Y	1	1	1	SA
60	DB63-02406A	COVER WINDOW DISPLAY	SECC-P;T0.8,TOUCH GRAY	1	1	1	SNA

5-2-4 RVXVHT140/160GE-01



RVXVHT140/160GE-01(cont.)



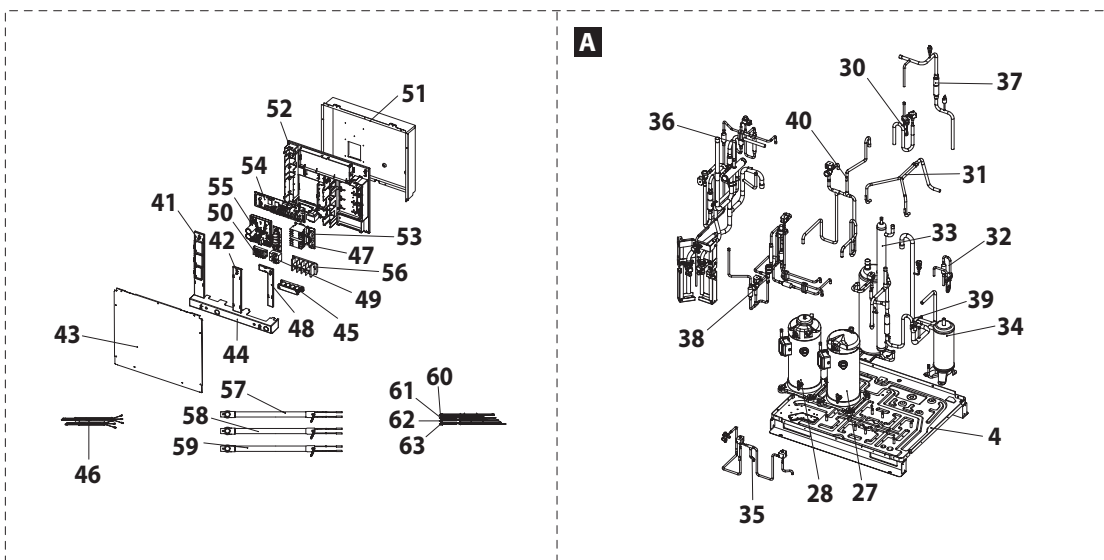
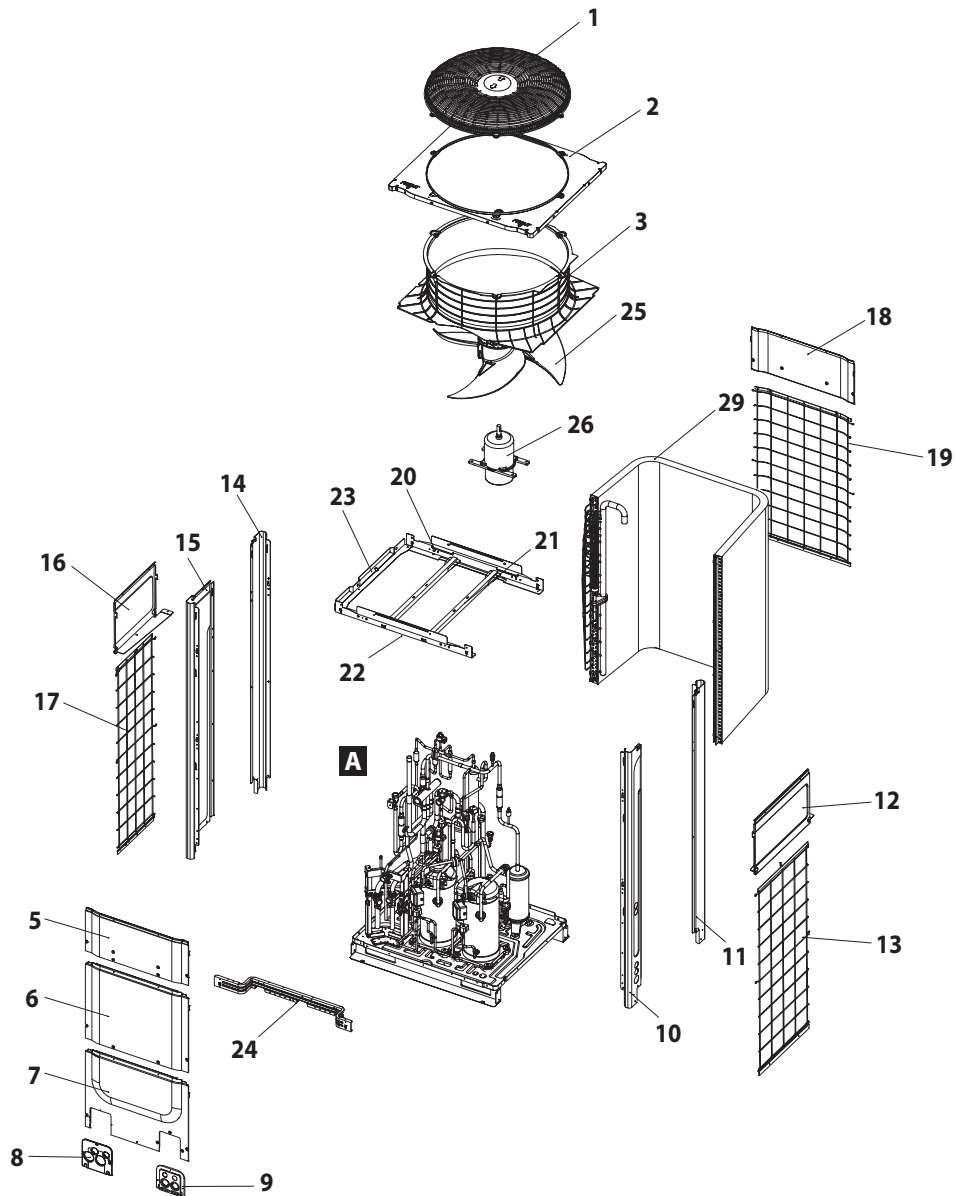
■ Parts List

No.	Code No.	Description	Specification	Q'TY		SA/SNA
				RVXVHT140GE-01	RVXVRT160GE-01	
1	DB63-02614A	GUARD FAN-LARGE PD	MSWR-SWRM,TOUCH GRAY	1	1	SA
2	DB63-02619A	COVER TOP-PD LARGE	EGI-SECC,T1.2,TOUCH GRAY	1	1	SA
3	DB62-03304B	BELLOW-MOUTH	PP,TOUCH GRAY	1	1	SA
4	DB90-04730A	ASS'Y BASE-OUTDOOR	ASS'Y	1	1	SNA
5	DB90-02131C	ASS'Y CABI FRONT-UP 14HP	ASS'Y	1	1	SA
6	DB90-05507A	ASS'Y CABI FRONT-MID 14HP	ASS'Y	1	1	SA
6-1	DB63-02406A	COVER-WINDOW DISPLAY	SECC-P,T0.8,TOUCH GRAY	1	1	SNA
7	DB90-02133B	ASS'Y CABI FRONT-LOW	ASS'Y	1	1	SA
8	DB63-01921A	COVER-VALVE	PP,TOUCH GRAY	1	1	SA
9	DB90-05441B	ASS'Y COVER-PLATE	ASS'Y	1	1	SA
10	DB90-04734B	ASS'Y CABINET-SIDE RH	ASS'Y	1	1	SA
11	DB90-04735A	ASS'Y CABINET-SIDE LF	ASS'Y	1	1	SA
12	DB90-02140B	ASS'Y CABI BACK-UP 14HP	ASS'Y	1	1	SA
13	DB90-02320A	ASS'Y-GUARD COND BACK	ASS'Y	1	1	SA
14	DB61-02255A	BRACKET MOTOR	SGCC-M,T2.0	2	2	SA
15	DB61-02299A	SUPPORT-TOP	SGCC-M,T1.6	2	2	SA
16	DB90-02144C	ASS'Y-FRONT BEAM UP	ASS'Y	1	1	SA
16-1	DB90-02146C	ASS'Y-BACK BEAM UP 14	ASS'Y	1	1	SA
17	DB90-02638B	ASS'Y-PLATE BEAM SIDE LF	ASS'Y	2	2	SA
18	DB31-00298A	FAN PROPELLER	AS+G/F20%	1	1	SA
19	DB31-00330B	MOTOR FAN	DL-13890SSOA/B	1	1	SA
20	DB96-09443A	ASS'Y COND OUT-B	ASS'Y	1	1	SA
21	DB90-05504A	ASS'Y-FRONT BEAM CONTROL BOX 16HP	ASS'Y	1	1	SA
22	DB90-05455B	ASS'Y CASE-WIRE DUCT	ASS'Y	1	1	SA
23	DB95-01468D	ASS'Y COMP-EVI	ZPJ72KCE-TFD-496	1	1	SA
24	DB95-01456C	ASS'Y COMP-EVI	ZPI61KCE-TFD-496	2	-	SA
	DB95-01456D	ASS'Y COMP-EVI	ZPI72KCE-TFD-496	-	2	SA
25	DB96-14050A	ASS'Y TUBE-OIL BALANCE VALVE	ASS'Y	1	1	SA
26	DB96-13706A	ASS'Y-OIL SEPARATOR 16HP	ASS'Y	1	1	SA
27	DB96-14097A	ASS'Y-TUBE 4WAY LIQUID SVC VV 16HP	ASS'Y	1	1	SA
28	DB96-08932B	ASS'Y-EXPANSION BYPASS VALVE D	ASS'Y	1	1	SA
29	DB96-14121A	ASS'Y-ACCUM SUBCOOLER 16HP	ASS'Y	1	1	SA
30	DB96-08988A	ASS'Y TUBE SUCTION-PWM B50	ASS'Y	1	1	SA
31	DB96-08432B	ASS'Y TUBE-OIL RETURN B	ASS'Y	1	1	SA
32	DB96-14096A	ASS'Y-TUBE VAPOR INJECTION 16HP	ASS'Y	1	1	SA
33	DB96-13046A	ASS'Y TUBE DISCHARGE	ASS'Y	1	1	SA
34	DB96-14127A	ASS'Y-TUBE HOT-GAS BYPASS	ASS'Y	1	1	SA
35	DB96-08924C	ASS'Y-TUBE OIL SEPA OUT B	ASS'Y	1	1	SA
36	DB63-01361D	COVER-CONTROL IN	ABS,5V	1	1	SA
37	DB63-01361E	COVER-CONTROL IN	ABS,5V	1	1	SA
38	DB90-05180A	ASS'Y COVER CONTROL-BOX	ASS'Y	1	1	SA
39	DB90-03829A	ASS'Y-WINDOW DISPLAY	ASS'Y	1	1	SNA
40	DB65-00179D	TERMINAL BLOCK	ASS'Y	1	1	SNA

■ Parts List(cont.)

No.	Code No.	Description	Specification	Q'TY		SA/SNA
				RVXVHT140GE-01	RVXVHT160GE-01	
41	DB65-00209B	TERMINAL BLOCK-AC	ASS'Y	1	1	SNA
42	DB35-00044A	RELAY	ASS'Y	1	3	SNA
43	DB93-08814B	ASS'Y PCB SUB SENSOR	ASS'Y	1	1	SNA
44	DB63-02452A	COVER FUSE	ABS,5V	1	1	SNA
45	DB93-08640A	ASS'Y CONNECTOR WIRE-TERMINAL BLOCK	ASS'Y	1	1	SNA
46	DB93-09987D	ASS'Y PCB MAIN-OUT	ASS'Y	1	-	SA
	DB93-09987E	ASS'Y PCB MAIN-OUT	ASS'Y	-	1	SA
47	DB61-04069A	CASE CONTROL-IN UPPER	ABS,5V	1	1	SNA
48	DB93-06543J	ASS'Y-BLDC DRIVER	ASS'Y	1	1	SA
49	DB93-04076E	ASS'Y PCB SUB-EMI	ASS'Y	1	1	SA
50	DB61-04070A	CASE CONTROL-IN LOWER	ABS,5V	1	1	SNA
51	DB64-02488B	CABINET-CONTROL BOX	SGCC-M,T0.8	1	1	SNA
52	DB93-08300E	ASS'Y CONNECTOR WIRE-COMP	ASS'Y	1	1	SA
53	DB93-08300F	ASS'Y CONNECTOR WIRE-COMP	ASS'Y	1	1	SA
54	DB93-08300G	ASS'Y CONNECTOR WIRE-COMP	ASS'Y	1	1	SA
55	-	-	-	-	-	-
56	DB95-00766E	ASS'Y COMP-HEATER	ASS'Y	1	1	SA
57	DB95-00766G	ASS'Y COMP-HEATER	ASS'Y	1	1	SA
58	DB95-00766H	ASS'Y COMP-HEATER	ASS'Y	1	1	SA
59	DB95-01959E	ASS'Y THERMISTOR-DISCHARGE	ASS'Y	1	1	SA
60	DB95-01960B	ASS'Y THERMISTOR-EVA IN OUT	ASS'Y	1	1	SA
61	DB95-01962B	ASS'Y THERMISTOR OUT-SUMP	ASS'Y	1	1	SA
62	DB95-01965D	ASS'Y THERMISTOR-OUTDOOR	ASS'Y	1	1	SA

5-2-5 RVXVRT080/100/120GE



■ Parts List

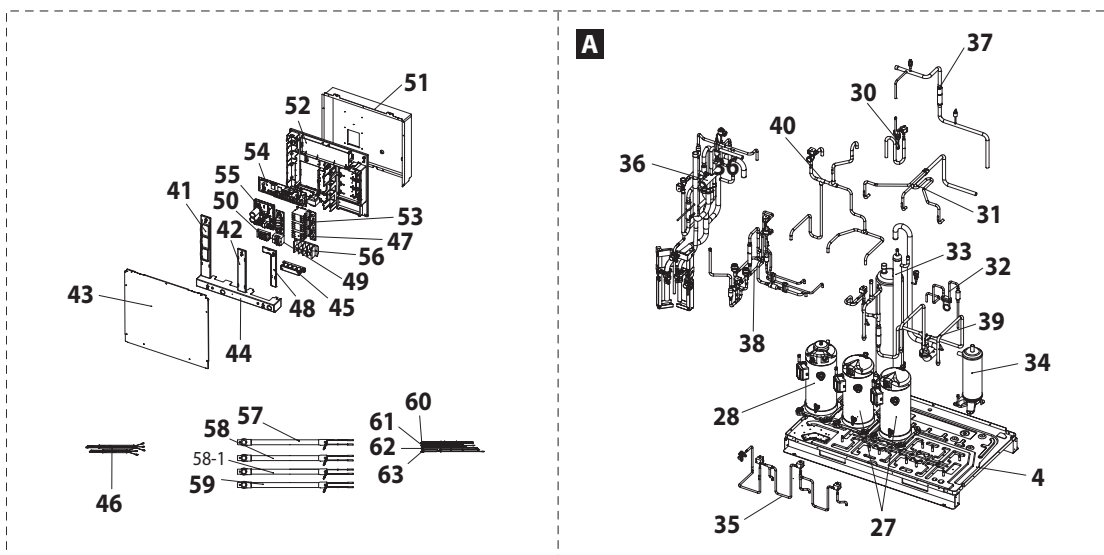
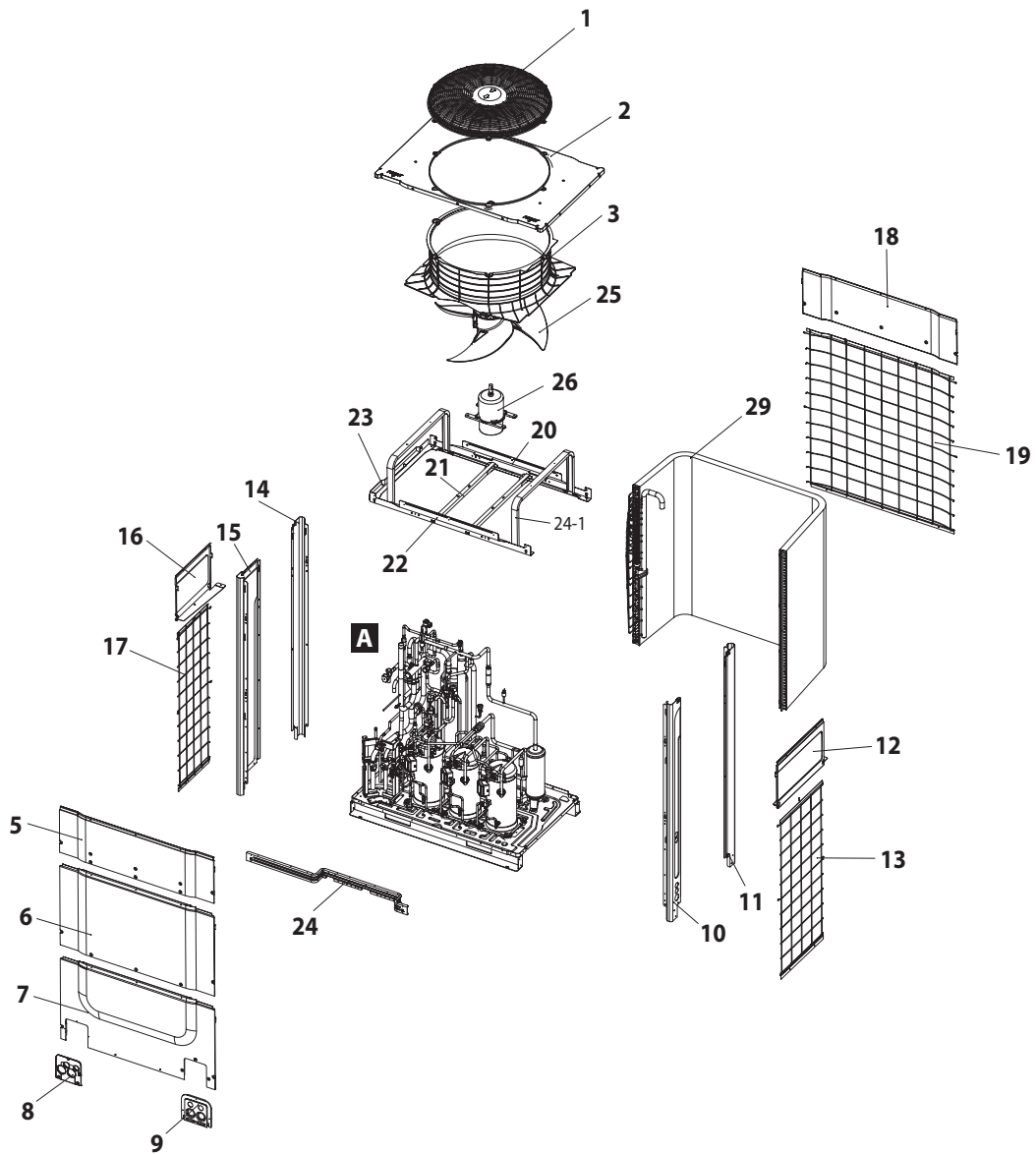
No.	Code No.	Description	Specification	Q'TY			SA/SNA
				RVXVRT080GE	RVXVRT100GE	RVXVRT120GE	
1	DB63-01925A	GUARD-FAN	PP, TOUCH GRAY	1	1	1	SA
2	DB90-02119A	ASS'Y COVER-TOP	ASS'Y, PP, TOUCH GRAY	1	1	1	SA
3	DB62-03304A	BELLOW-MOUTH	PP, TOUCH GRAY	1	1	1	SA
4	DB90-02141A	ASS'Y BASE COMP	ASS'Y	1	1	1	SNA
5	DB90-02121C	ASS'Y CABI FRONT-UP 10HP	ASS'Y	1	1	1	SA
6	DB90-02122C	ASS'Y CABI FRONT-MID 10HP	ASS'Y	1	1	1	SA
7	DB90-02123B	ASS'Y CABI FRONT-LOW	ASS'Y	1	1	1	SA
8	DB63-01921A	COVER-VALVE	PP, TOUCH GRAY	1	1	1	SA
9	DB63-01441A	COVER-PLATE	SECC-P;t0.8, TOUCH GRAY	1	1	1	SA
10	DB90-02125A	ASS'Y CABI FRONT-SIDE RH	ASS'Y	1	1	1	SA
11	DB90-02127A	ASS'Y CABI BACK-SIDE RH	ASS'Y	1	1	1	SA
12	DB90-02129B	ASS'Y CABINET-SIDE RH	ASS'Y	1	1	1	SA
13	DB90-02319A	ASS'Y-GUARD COND RH	ASS'Y	1	1	1	SA
14	DB90-02126A	ASS'Y CABI BACK-SIDE LF	ASS'Y	1	1	1	SA
15	DB90-03317B	ASS'Y CABI FRONT-SIDE LF	ASS'Y	1	1	1	SA
16	DB90-02128B	ASS'Y CABINET-SIDE LF	ASS'Y	1	1	1	SA
17	DB90-02318A	ASS'Y-GUARD COND LF	ASS'Y	1	1	1	SA
18	DB90-02130B	ASS'Y CABI BACK-UP 10HP	ASS'Y	1	1	1	SNA
19	DB90-02317A	ASS'Y-GUARD COND BACK	ASS'Y	1	1	1	SNA
20	DB90-02145C	ASS'Y-BACK BEAM UP 10	ASS'Y	1	1	1	SNA
21	DB61-02255A	BRACKET MOTOR	SGCC-M,t2.0	2	2	2	SA
22	DB90-02143B	ASS'Y-FRONT BEAM UP	ASS'Y	1	1	1	SNA
23	DB90-02638A	ASS'Y-PLATE BEAM SIDE LF	ASS'Y	1	1	1	SNA
24	DB90-02147C	ASS'Y-FRONT BEAM LOW	ASS'Y	1	1	1	SNA
25	DB31-00298A	FAN PROPELLER	AS+G/F20%	1	1	1	SA
26	DB31-00330B	MOTOR FAN	UGBTEF-13LSAM02	1	1	1	SA
27	DB95-01456C	ASS'Y COMP-EVI (FIXED)	ZPI61KCE-TFD-496	1	1	-	SA
	DB95-01456E	ASS'Y COMP-EVI (FIXED)	ZPI83KCE-TFD-496	-	-	1	SA
28	DB95-01468C	ASS'Y COMP-EVI (DIGITAL)	ZPJ61KCE-TFD-496	1	1	-	SA
	DB95-01468E	ASS'Y COMP-EVI (DIGITAL)	ZPJ83KCE-TFD-496	-	-	1	SA
29	DB96-09442A	ASS'Y COND OUT-A	ASS'Y	1	1	1	SA
30	DB96-08403B	ASS'Y-TUBE HOT-GAS BYPASS	ASS'Y	1	1	1	SNA
31	DB96-08421A	ASS'Y TUBE DISCHARGE-A	ASS'Y	1	1	1	SA
32	DB96-08431B	ASS'Y TUBE-OIL RETURN A50	ASS'Y	1	1	1	SNA
33	DB96-08503B	ASS'Y-ACCUM SUBCOOLER 12HP	ASS'Y	1	1	1	SNA
34	DB96-08688A	ASS'Y-OIL SEPAPATOR 12HP	ASS'Y	1	1	1	SA
35	DB96-08773A	ASS'Y TUBE-OIL BALANCE VALVE-A	ASS'Y	1	1	1	SNA
36	DB96-08884B	ASS'Y-TUBE 4WAY LIQUID SVC VV B	ASS'Y	1	1	-	SNA
	DB96-08885B	ASS'Y-TUBE 4WAY LIQUID SVC VV B	ASS'Y	-	-	1	SNA
37	DB96-08923A	ASS'Y-TUBE OIL SEPA OUT A	ASS'Y	1	1	1	SNA
38	DB96-08931B	ASS'Y-EXPANSION BYPASS VALVE A	ASS'Y	1	1	1	SNA
39	DB96-09011A	ASS'Y TUBE SUCTION-PWM A50	ASS'Y	1	1	1	SNA

■ Parts List(cont.)

No.	Code No.	Description	Specification	Q'TY			SA/SNA
				RVXVRT080GE	RVXVRT100GE	RVXVRT120GE	
40	DB96-09026A	ASS'Y TUBE-VAPOR INJECTION A 50	ASS'Y	1	1	1	SNA
41	DB63-01361D	COVER-CONTROL IN	ABS 5V	1	1	1	SNA
42	DB63-01361E	COVER-CONTROL IN	ABS 5V	1	1	1	SNA
43	DB90-02149A	ASS'Y COVER CONTROL-BOX	ASS'Y	1	1	1	SA
44	DB90-02270A	ASS'Y COVER-CONTROL WIRE	ASS'Y	1	1	1	SNA
45	DB90-03795A	ASS'Y-SUPPORT WIRE	ABS 5V	1	1	1	SA
46	DB93-06071A	ASS'Y-COMP WIRE	ASS'Y	1	1	1	SA
47	DB35-00049A	RELAY	XMCO-253LBBC,25A	2	2	2	SA
48	DB63-01361F	COVER-CONTROL IN	ABS 5V	1	1	1	SNA
49	DB65-00209A	TERMINAL BLOCK-AC	DATA 60A,AC 1500V 10mA	1	1	1	SA
50	DB65-40062T	TERMINAL BLOCK	ASS'Y	1	1	1	SA
51	DB64-01311C	CONTROL-BOX BODY	SGCC-M,t0.8	1	1	1	SNA
52	DB90-03826A	ASS'Y CASE CONTROL IN	ASS'Y	1	1	1	SNA
53	DB93-05702B	ASS'Y PCB SUB	ASS'Y	1	1	1	SA
54	DB93-06078F	ASS'Y PCB MAIN-OUT	ASS'Y	1	-	-	SA
	DB93-06078G	ASS'Y PCB MAIN-OUT	ASS'Y	-	1	-	SA
	DB93-06078H	ASS'Y PCB MAIN-OUT	ASS'Y	-	-	1	SA
55	DB93-06543A	ASS'Y-BLDC DRIVER	ASS'Y	1	1	1	SA
56	DB95-01098A	ASS'Y-TERMINAL BLOCK	ASS'Y	1	1	1	SA
57	DB95-00766G	ASS'Y COMP-HEATER	ASS'Y	1	1	1	SA
58	DB95-00766F	ASS'Y COMP-HEATER	ASS'Y	1	1	1	SA
59	DB95-01425B	ASS'Y-BELT HEATER	ASS'Y	1	1	1	SNA
60	DB95-00648D	ASS'Y DISCHARGE SENSOR	ASS'Y	1	1	1	SA
61	DB95-01254C	ASS'Y SENSOR-THERMISTOR	ASS'Y	1	1	1	SA
62	DB95-01364A	ASS'Y-THERMISTOR OUT SUMP	ASS'Y	1	1	1	SA
63	DB95-01379A	ASS'Y THEMISTOR-EVI IN OUT	ASS'Y	1	1	1	SA

MEMO

5-2-6 RVXVRT140/160GE



■ Parts List

No.	Code No.	Description	Specification	Q'TY		SA/SNA
				RVXVRT140GE	RVXVRT160GE	
1	DB63-01925A	GUARD-FAN	PP, TOUCH GRAY	1	1	SA
2	DB90-02120A	ASS'Y COVER-TOP	ASS'Y, PP, TOUCH GRAY	1	1	SA
3	DB62-03304A	BELLOW-MOUTH	PP, TOUCH GRAY	1	1	SA
4	DB90-02142A	ASS'Y BASE COMP	ASS'Y	1	1	SNA
5	DB90-02131C	ASS'Y CABI FRONT-UP 14HP	ASS'Y	1	1	SA
6	DB90-02132C	ASS'Y CABI FRONT-MID 14HP	ASS'Y	1	1	SA
7	DB90-02133B	ASS'Y CABI FRONT-LOW	ASS'Y	1	1	SA
8	DB63-01921A	COVER-VALVE	PP, TOUCH GRAY	1	1	SA
9	DB63-01441A	COVER-PLATE	SECC-P,t0.8, TOUCH GRAY	1	1	SA
10	DB90-02125A	ASS'Y CABI FRONT-SIDE RH	ASS'Y	1	1	SA
11	DB90-02127A	ASS'Y CABI BACK-SIDE RH	ASS'Y	1	1	SA
12	DB90-02129B	ASS'Y CABINET-SIDE RH	ASS'Y	1	1	SA
13	DB90-02319A	ASS'Y-GUARD COND RH	ASS'Y	1	1	SA
14	DB90-02126A	ASS'Y CABI BACK-SIDE LF	ASS'Y	1	1	SA
15	DB90-03317B	ASS'Y CABI FRONT-SIDE LF	ASS'Y	1	1	SA
16	DB90-02128B	ASS'Y CABINET-SIDE LF	ASS'Y	1	1	SA
17	DB90-02318A	ASS'Y-GUARD COND LF	ASS'Y	1	1	SA
18	DB90-02140B	ASS'Y CABI BACK-UP 14HP	ASS'Y	1	1	SNA
19	DB90-02320A	ASS'Y-GUARD COND BACK	ASS'Y	1	1	SNA
20	DB90-02146C	ASS'Y-BACK BEAM UP 14	ASS'Y	1	1	SNA
21	DB61-02255A	BRACKET MOTOR	SGCC-M,t2.0	2	2	SA
22	DB90-02144B	ASS'Y-FRONT BEAM UP	ASS'Y	1	1	SNA
23	DB90-02638A	ASS'Y-PLATE BEAM SIDE LF	ASS'Y	1	1	SNA
24	DB90-02148C	ASS'Y-FRONT BEAM LOW	ASS'Y	1	1	SNA
24-1	DB61-02299A	SUPPORT-TOP	SGCC-M,t2.0	2	2	SA
25	DB31-00298A	FAN PROPELLER	AS+G/F20%	1	1	SA
26	DB31-00330B	MOTOR FAN	UGBTEF-13LSAM02	1	1	SA
27	DB95-01456C	ASS'Y COMP-EVI (FIXED)	ZPI61KCE-TFD-496	2	-	SA
	DB95-01456D	ASS'Y COMP-EVI (FIXED)	ZPI72KCE-TFD-496	-	2	SA
28	DB95-01468D	ASS'Y COMP-EVI (DIGITAL)	ZPJ72KCE-TFD-496	1	1	SA
29	DB96-09443A	ASS'Y COND OUT-B	ASS'Y	-	1	SA
	DB96-09444A	ASS'Y COND OUT-C	ASS'Y	1	-	SA
30	DB96-08403C	ASS'Y-TUBE HOT-GAS BYPASS	ASS'Y	1	1	SNA
31	DB96-08422A	ASS'Y TUBE DISCHARGE-B	ASS'Y	1	1	SA
32	DB96-08432B	ASS'Y TUBE-OIL RETURN B	ASS'Y	1	1	SNA
33	DB96-08502B	ASS'Y-ACCUM SUBCOOLER 16HP	ASS'Y	1	1	SNA
34	DB96-08687A	ASS'Y-OIL SEPAPATOR 16HP	ASS'Y	1	1	SA
35	DB96-08774B	ASS'Y TUBE-OIL BALANCE VALVE B	ASS'Yp	1	1	SNA
36	DB96-08894B	ASS'Y-TUBE 4WAY LIQUID SVC VV E	ASS'Y	1	1	SNA
37	DB96-08924A	ASS'Y-TUBE OIL SEPA OUT B	ASS'Y	1	1	SNA
38	DB96-08935B	ASS'Y-EXPANSION BYPASS VALVE C	ASS'Y	1	1	SNA
39	DB96-08988A	ASS'Y TUBE SUCTION-PWM B50	ASS'Y	1	1	SNA
40	DB96-08989A	ASS'Y TUBE-VAPOR INJECTION B 50	ASS'Y	1	1	SNA

■ Parts List(cont.)

No.	Code No.	Description	Specification	Q'TY		SA/SNA
				RVXVRT140GE	RVXVRT160GE	
41	DB63-01361D	COVER-CONTROL IN	ABS 5V	1	1	SNA
42	DB63-01361E	COVER-CONTROL IN	ABS 5V	1	1	SNA
43	DB90-02149A	ASS'Y COVER CONTROL-BOX	ASS'Y	1	1	SA
44	DB90-02270A	ASS'Y COVER-CONTROL WIRE	ASS'Y	1	1	SNA
45	DB90-03795A	ASS'Y-SUPPORT WIRE	ABS 5V	1	1	SA
46	DB93-06072A	ASS'Y-COMP WIRE	ASS'Y	1	1	SA
47	DB35-00049A	RELAY	XMCO-253LBBC,25A	3	3	SA
48	DB63-01361F	COVER-CONTROL IN	ABS 5V	1	1	SNA
49	DB65-00209A	TERMINAL BLOCK-AC	DATA 60A,AC 1500V 10mA	1	1	SA
50	DB65-40062T	TERMINAL BLOCK	ASS'Y	1	1	SA
51	DB64-01311C	CONTROL-BOX BODY	SGCC-M,t0.8	1	1	SNA
52	DB90-03826A	ASS'Y CASE CONTROL IN	ASS'Y	1	1	SNA
53	DB93-05702A	ASS'Y PCB SUB	ASS'Y	1	1	SA
54	DB93-06078J	ASS'Y PCB MAIN-OUT	ASS'Y	1	-	SA
	DB93-06078K	ASS'Y PCB MAIN-OUT	ASS'Y	-	1	SA
55	DB93-06543A	ASS'Y-BLDC DRIVER	ASS'Y	1	1	SA
56	DB95-01098A	ASS'Y-TERMINAL BLOCK	ASS'Y	1	1	SA
57	DB95-00766E	ASS'Y COMP-HEATER	ASS'Y	1	1	SA
58	DB95-00766G	ASS'Y COMP-HEATER	ASS'Y	1	1	SA
58-1	DB95-00766H	ASS'Y COMP-HEATER	ASS'Y	1	1	SA
59	DB95-01425A	ASS'Y-BELT HEATER	ASS'Y	1	1	SNA
60	DB95-00648E	ASS'Y DISCHARGE SENSOR	ASS'Y	1	1	SA
61	DB95-01254D	ASS'Y SENSOR-THERMISTOR	ASS'Y	1	1	SA
62	DB95-01364B	ASS'Y THEMISTOR-OUT SUMP	ASS'Y	1	1	SA
63	DB95-01379B	ASS'Y THEMISTOR-EVI INOUT	ASS'Y	1	1	SA

MEMO