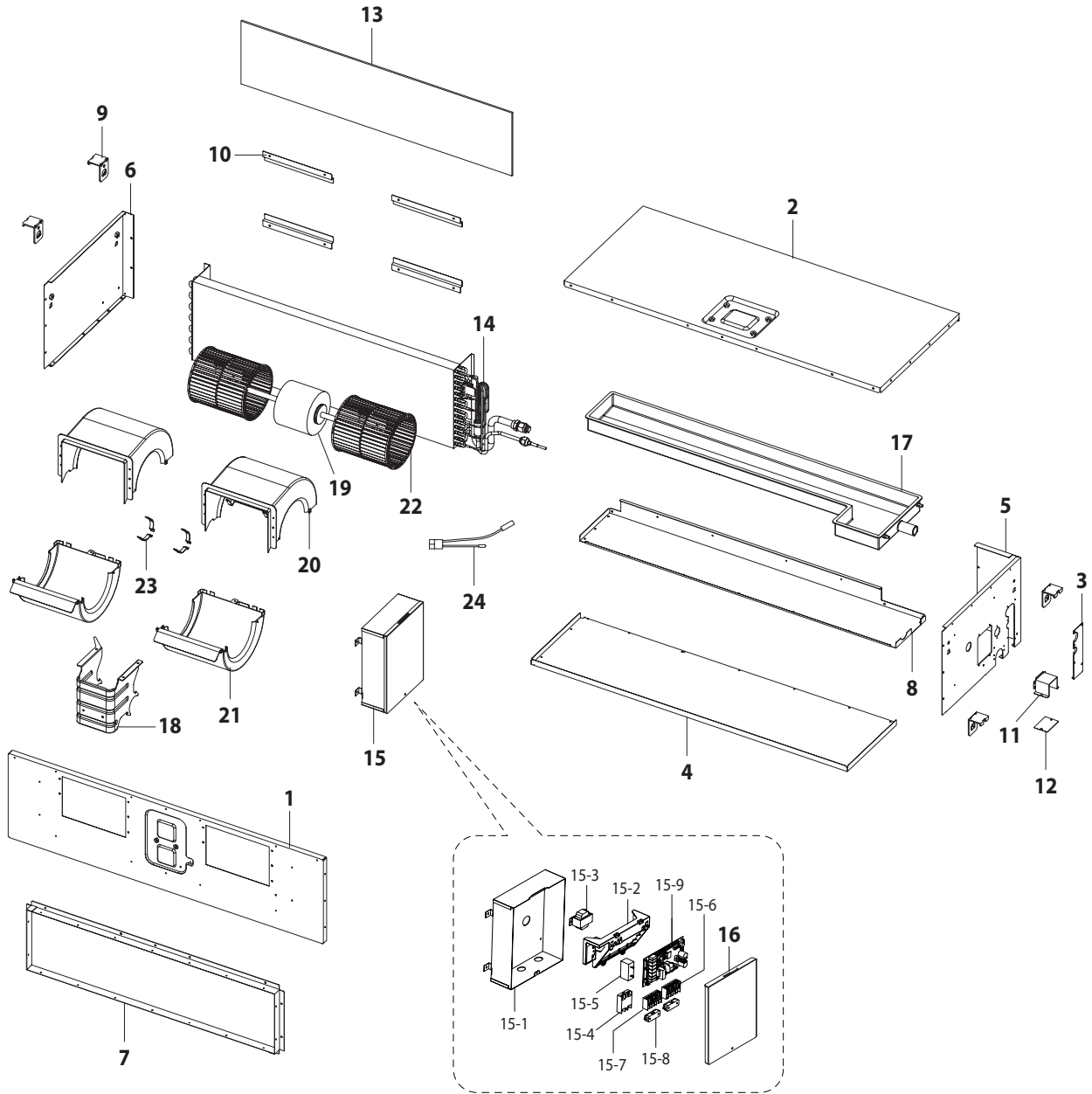


# 5. Exploded Views and Parts List

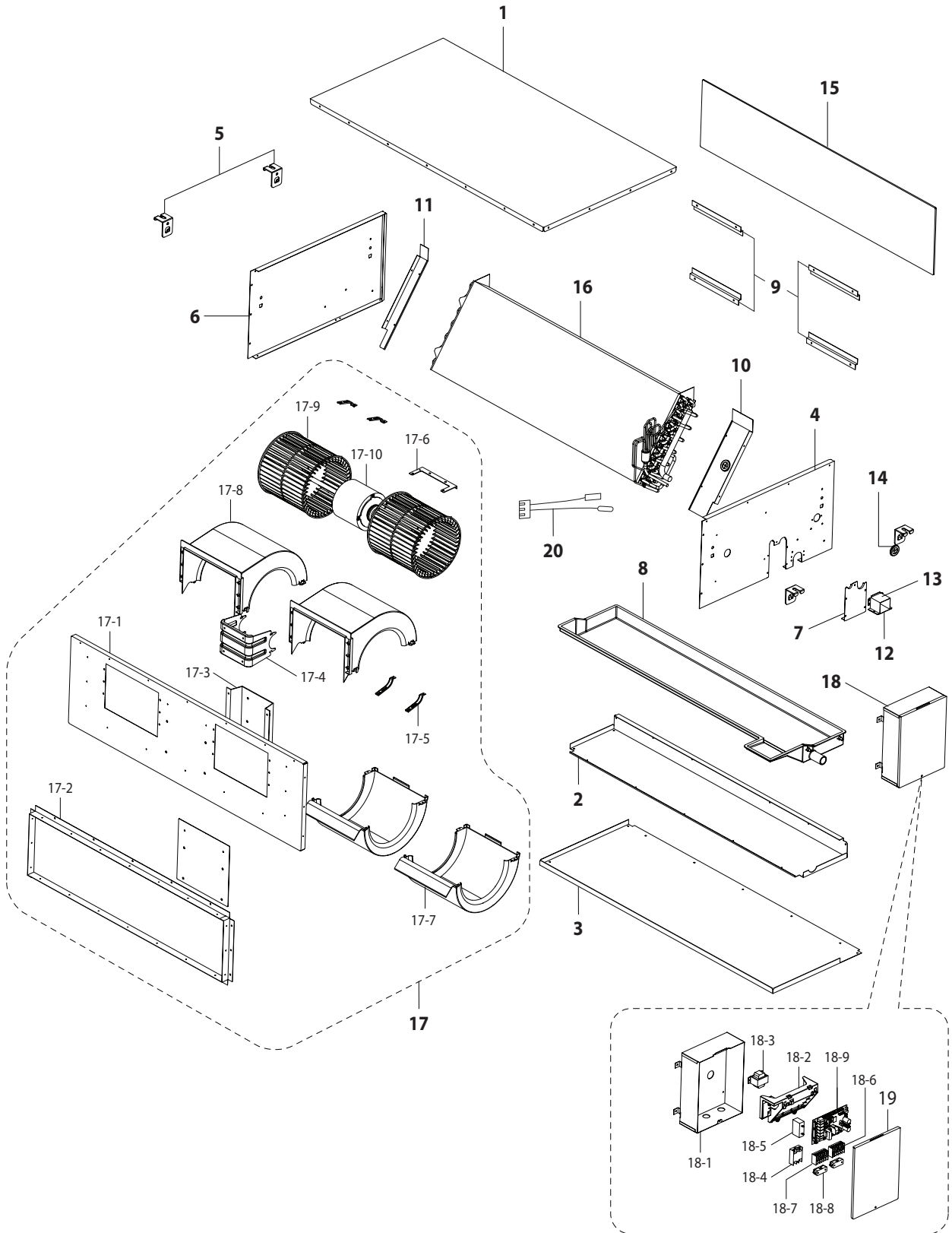
## 5-1 Indoor Unit

■DH105EAV



■Parts List

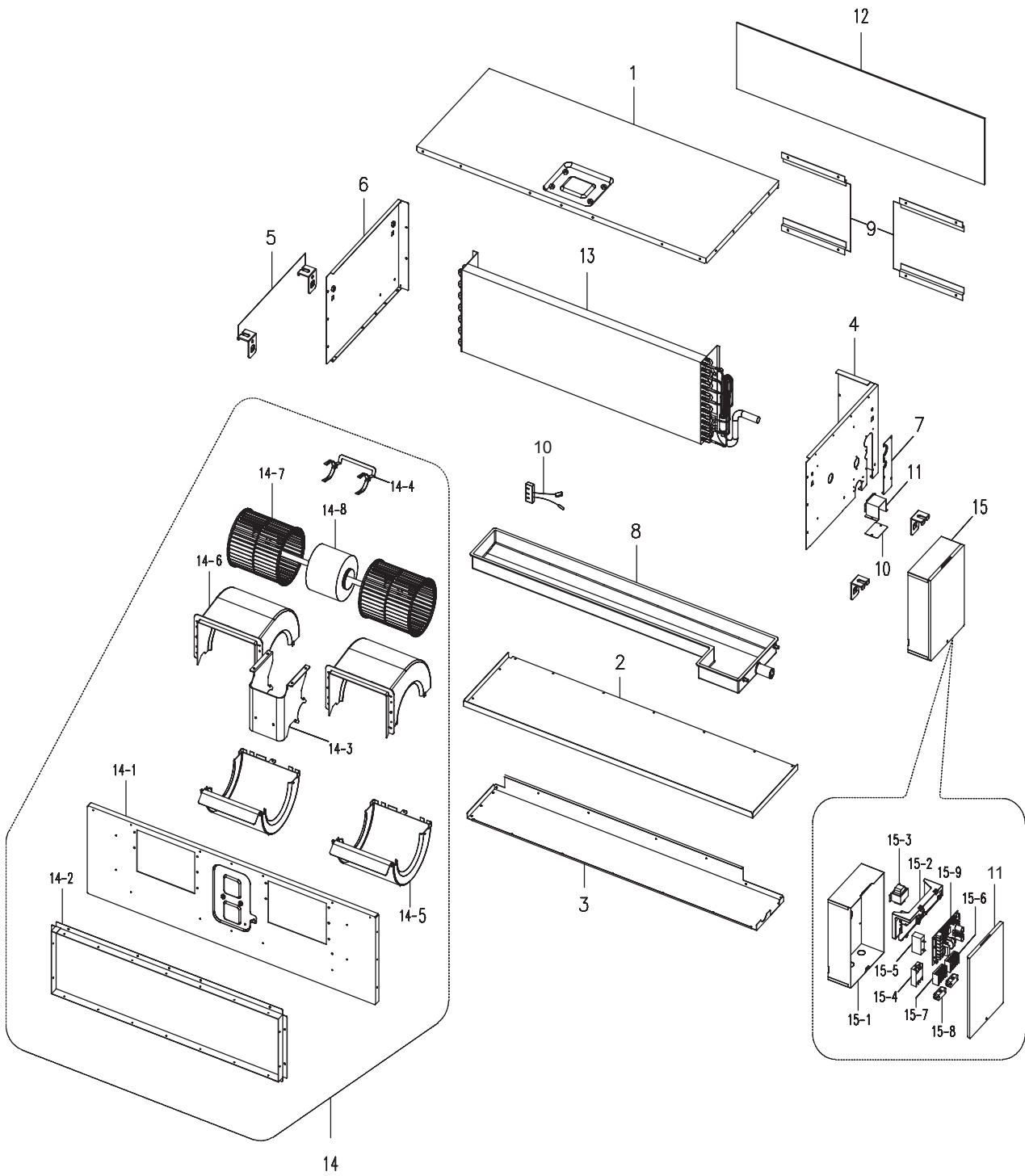
| No.  | Code No.    | Description                 | Specification                        | Q'TY | SA/SNA |
|------|-------------|-----------------------------|--------------------------------------|------|--------|
| 1    | DB90-02402A | ASS'Y CABINET FRONT         | ASS'Y                                | 1    | SA     |
| 2    | DB90-02403A | ASS'Y CABINET-TOP           | ASS'Y                                | 1    | SA     |
| 3    | DB90-02404A | ASS'Y COVER-PIPE            | ASS'Y                                | 1    | SA     |
| 4    | DB90-02405A | ASS'Y CABINET-BOTTOM BLOWER | ASS'Y                                | 1    | SA     |
| 5    | DB90-02406A | ASS'Y CABINET-SIDE RH       | ASS'Y                                | 1    | SA     |
| 6    | DB90-02407A | ASS'Y CABINET-SIDE LF       | ASS'Y                                | 1    | SA     |
| 7    | DB90-02408A | ASS'Y-BRACKET OUTLET PART   | ASS'Y                                | 1    | SNA    |
| 8    | DB90-02409A | ASS'Y CABINET-BOTTOM DRAIN  | ASS'Y                                | 1    | SA     |
| 9    | DB61-01282A | HOLDER-SIDE CABI            | SGCC-M,T3.0,45.2,65                  | 4    | SNA    |
| 10   | DB61-02374A | BRACKET-FILTER              | SGCC-M,T1.0,50,250                   | 4    | SA     |
| 11   | DB61-02378A | HOLDER-PIPE                 | SGCC-M,T1.0                          | 1    | SNA    |
| 12   | DB63-01297A | COVER-HOLDER                | SGCC-M,T0.8                          | 1    | SNA    |
| 13   | DB63-01299B | FILTER-PRE                  | ASS'Y                                | 1    | SA     |
| 14   | DB96-06727A | ASS'Y EVAP-UNIT             | ASS'Y                                | 1    | SNA    |
| 15   | DB93-05008A | ASS'Y CONTROL IN            | ASS'Y                                | 1    | SNA    |
| 15-1 | DB90-01992A | ASS'Y CASE-CONTROL          | ASS'Y                                | 1    | SA     |
| 15-2 | DB61-02287A | CASE PCB                    | ABS V0,T2.5                          | 1    | SA     |
| 15-3 | DB26-00080A | TRANS POWER                 | AC 230V, 50HZ,DC 17V,DC 0.6A,VDE,ICE | 1    | SNA    |
| 15-4 | 3502-001035 | SSR                         | DC 12V,-,10A,1ms                     | 1    | SNA    |
| 15-5 | 2301-001381 | C-FILM,LEAD-OTHER           | 8000nF,+10-5%,450V,BK,58x30x44mm     | 1    | SA     |
| 15-6 | DB65-00105L | TERMINAL BLOCK              | DAF-S6P                              | 1    | SA     |
| 15-7 | DB65-00105M | TERMINAL BLOCK              | DAF-S6P                              | 1    | SA     |
| 15-8 | DB61-00250A | HOLDER-WIRE CLAMP           | ABS,BLK,ISI,SAMLIN                   | 2    | SNA    |
| 15-9 | DB93-03213H | ASS'Y PCB MAIN-IN           | ASS'Y                                | 1    | SNA    |
| 16   | DB63-01296A | COVER-CONTROL               | SGCC-M,T0.8                          | 1    | SA     |
| 17   | DB91-00346A | ASS'Y DRAIN PAN             | ASS'Y                                | 1    | SA     |
| 18   | DB61-02331A | BRACKET MOTOR               | SGCC-M,T2.0                          | 1    | SA     |
| 19   | DB31-00355B | MOTOR FAN                   | YSK140-200-4,DC42GTVA,0.71/1.4A,50HZ | 1    | SNA    |
| 20   | DB61-02332A | CASE BLOWER-UPPER           | ABS,T2.0                             | 2    | SA     |
| 21   | DB61-02333A | CASE BLOWER-BOTTOM          | ABS,T2.0                             | 2    | SA     |
| 22   | DB67-00583B | BLOWER-D                    | ABS                                  | 2    | SA     |
| 23   | DB97-03751A | ASS'Y-BAND MOTOR            | ASS'Y                                | 1    | SNA    |
| 24   | DB32-00142B | THERMISTOR-IN               | 10Kohm,103AT,-20~+100                | 1    | SA     |



■Parts List

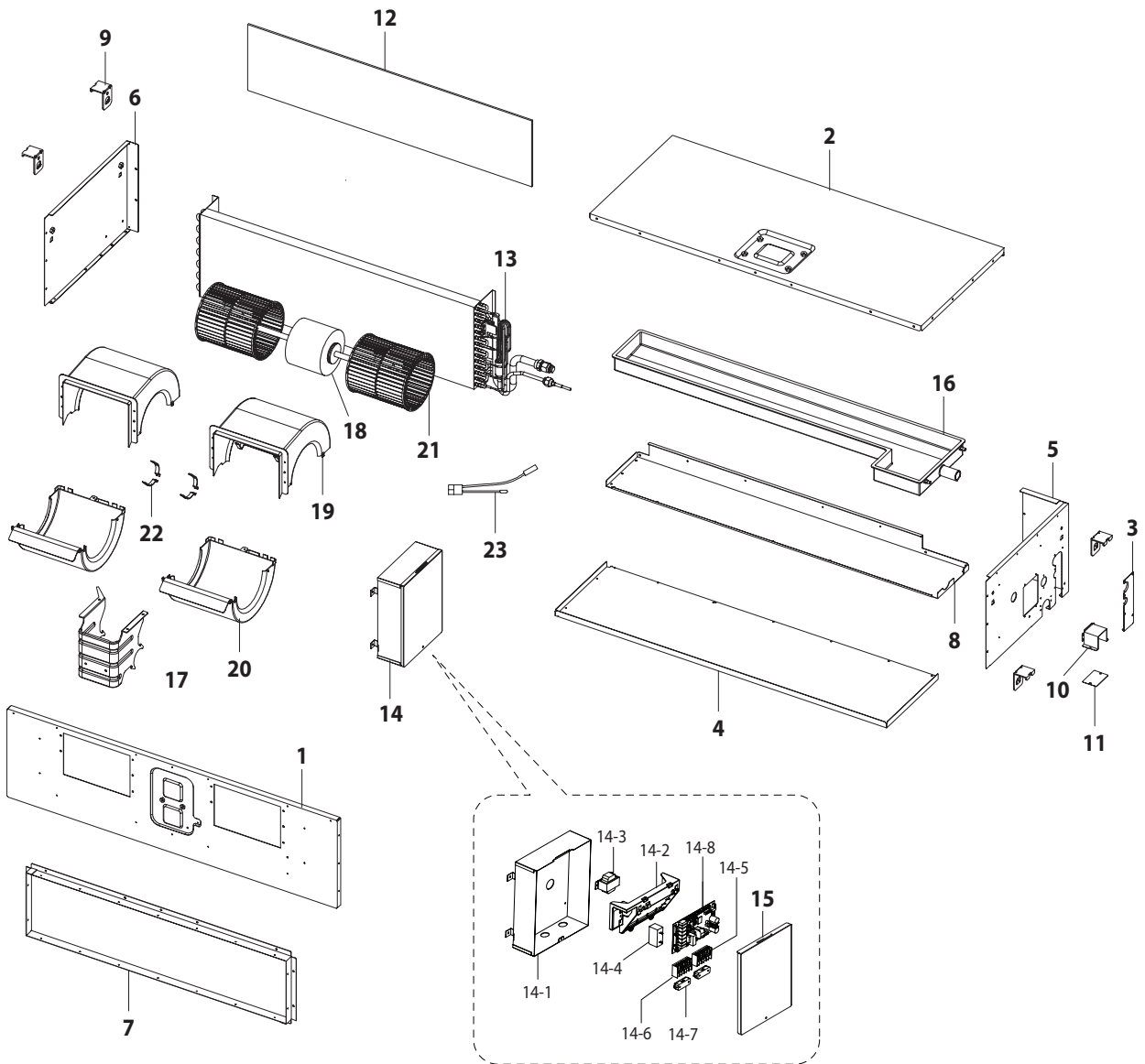
| No.   | Code No.    | Description               | Specification        | Q'TY | SA/SNA |
|-------|-------------|---------------------------|----------------------|------|--------|
| 1     | DB90-02006A | ASS'Y CABINET TOP         | ASS'Y,SGCC-M T1.0    | -    | SA     |
| 2     | DB90-02007A | ASS'Y CABI BOTTOM DRAIN   | ASS'Y,SGCC-M T1.0    | 1    | SA     |
| 3     | DB90-02008A | ASS'Y CABI BOTTOM BLOWER  | ASS'Y,SGCC-M T1.0    | 1    | SA     |
| 4     | DB90-02009A | ASS'Y CABI SIDE RH        | ASS'Y,SGCC-M T1.0    | 1    | SA     |
| 5     | DB61-01282A | HOLDER SIDE CABI          | ASS'Y,SGCC-M T3.0    | 4    | SNA    |
| 6     | DB90-02010A | ASS'Y CABI SIDE LF        | ASS'Y,SGCC-M T1.0    | 1    | SA     |
| 7     | DB90-02011A | ASS'Y COVER PIPE          | ASS'Y,SGCC-M T1.0    | 1    | SA     |
| 8     | DB91-00317A | ASS'Y DRAIN PAN           | ASS'Y,ABS/GF10 T3.0  | 1    | SA     |
| 9     | DB61-02374A | BRACKET FILTER            | ASS'Y,SGCC-M T1.0    | 4    | SNA    |
| 10    | DB61-02380A | BRACKET EVAP RH           | ASS'Y,SGCC-M T1.5    | 1    | SA     |
| 11    | DB61-02379A | BRACKET EVAP LF           | ASS'Y,SGCC-M T1.5    | 1    | SA     |
| 12    | DB63-01297A | COVER HOLDER              | ASS'Y,SGCC-M T1.0    | 1    | SNA    |
| 13    | DB61-02378A | HOLDER PIPE               | ASS'Y,SGCC-M T1.0    | 1    | SNA    |
| 14    | DB73-00270A | RUBBER COVER WIRE         | NBR                  | 2    | SNA    |
| 15    | DB63-01299A | FILTER PRE                | ASS'Y                | 1    | SA     |
| 16    | DB96-06728A | ASS'Y EVAP UNIT           | 3R16C WAVE 1.5,OD7.0 | 1    | SA     |
| 17    | DB94-00742A | ASS'Y BLOWER              | ASS'Y                | 1    | SA     |
| 17-1  | DB90-02028A | ASS'Y CABI FRONT          | ASS'Y,SGCC-M T1.5    | 1    | SNA    |
| 17-2  | DB90-02013A | ASS'Y BRACKET OUTLET PART | ASS'Y,SGCC-M T1.0    | 1    | SA     |
| 17-3  | DB61-02372A | BASE MOTOR                | ASS'Y,SGCC-M T2.5    | 1    | SNA    |
| 17-4  | DB61-02375A | BRACKET MOTOR             | ASS'Y,SGCC-M T2.5    | 1    | SNA    |
| 17-5  | DB72-00710A | BAND MOTOR                | ASS'Y,SGCC-M T1.6    | 4    | SA     |
| 17-6  | DB61-00540B | BRACKET MOTOR GUIDE       | ASS'Y,SGCC-M T1.6    | 1    | SNA    |
| 17-7  | DB61-02382A | CASE FAN LOW              | ASS'Y,ABS/GF10 T3.0  | 2    | SA     |
| 17-8  | DB61-02381A | CASE FAN UP               | ASS'Y,ABS/GF10 T3.0  | 2    | SA     |
| 17-9  | DB67-00594A | BLOWER                    | ASS'Y,ABS/GF10 OD230 | 2    | SA     |
| 17-10 | DB31-00321B | MOTOR FAN                 | OSM4524SAC (S334)    | 1    | SA     |
| 18    | DB93-03364A | ASS'Y CONTROL IN          | ASS'Y                | 1    | SA     |
| 18-1  | DB90-01992A | ASS'Y CASE CONTROL        | ASS'Y,SGCC-M T1.0    | 1    | SNA    |
| 18-2  | DB61-02287A | CASE PCB                  | ABS V0               | 1    | SA     |
| 18-3  | DB26-10070G | TRANS POWER               | DC17V                | 1    | SNA    |
| 18-4  | 3502-001027 | SSR                       | OMRON G3NA-210BPL    | 1    | SNA    |
| 18-5  | 2301-001381 | C-FILM,LEAD-OTHER         | 8uF 450VAC           | 1    | SA     |
| 18-6  | DB65-00105M | TERMINAL BLOCK 6P         | 250V,20A             | 1    | SNA    |
| 18-7  | DB65-00105L | TERMINAL BLOCK 6P         | 250V,20A             | 1    | SNA    |
| 18-8  | DB61-00250A | HOLDER-WIRE CLAMP         | NYLON                | 2    | SNA    |
| 18-9  | DB93-03213B | ASS'Y PCB MAIN            | DH60FTA              | 1    | SA     |
| 19    | DB63-01296A | COVER CONTROL             | ASS'Y,SGCC-M T0.8    | 1    | SA     |
| 20    | DB32-00142B | THERMISTOR-ASS'Y          | 103AT,103FW          | 1    | SA     |

■DH070EAV1/DH090EAV  
DH105EAS



■Parts List

| No.  | Code No.    | Description                | SPEC                            | QTY       |                      | SA/SNA |
|------|-------------|----------------------------|---------------------------------|-----------|----------------------|--------|
|      |             |                            |                                 | DH070EAV1 | DH105EAS<br>DH090EAV |        |
| 1    | DB90-02927A | ASSY CABINET-TOP           | MA0 PJT,SSEC                    | 1         | 1                    | SNA    |
| 2    | DB90-02405A | ASSY CABINET-BOTTOM BLOWER | MA1,SSEC                        | 1         | 1                    | SA     |
| 3    | DB90-02409A | ASSY CABINET-BOTTOM DRAIN  | MA1,SSEC                        | 1         | 1                    | SA     |
| 4    | DB90-02929A | ASSY CABINET-SIDE RH       | MA0 PJT,SSEC                    | 1         | 1                    | SA     |
| 5    | DB61-01282A | HOLDER-SIDE CABI           | ADC6000TG,SGCC-M,T3.0           | 4         | 4                    | SA     |
| 6    | DB90-02930A | ASSY CABINET-SIDE LF       | MA0 PJT,SSEC                    | 1         | 1                    | SA     |
| 7    | DB90-02928A | ASSY COVER-PIPE            | MA0 PJT,SSEC                    | 1         | 1                    | SA     |
| 8    | DB91-00346A | ASSY DRAIN PAN             | DH42BTA,SSEC                    | 1         | 1                    | SA     |
| 9    | DB61-02643A | BRACKET-FILTER             | SGCC-M,T0.8                     | 4         | 4                    | SA     |
| 10   | DB32-00142B | THERMISTOR-IN              | 10Kohm±1%,103AT                 | 1         | 1                    | SA     |
| 11   | DB63-01657A | COVER-CONTROL              | MAO DUCT,SGCC-M,T0.8            | 1         | 1                    | SA     |
| 12   | DB63-01299D | FILTER-PRE                 | ASSY,T4.5,178,985,NATURE        | 1         | 1                    | SA     |
| 13   | DB96-07024A | ASSY EVAP-UNIT             | DH094EAMC,220-240V, 50HZ, 9.4KW | -         | 1                    | SA     |
|      | DB96-07024B | ASSY EVAP-UNIT             | DH070EAV1                       | 1         | -                    | SA     |
| 14   | DB94-01274A | ASSY FAN IN PARTS          | H094EAMC, 220-240V, 50HZ, 9.4KW | 1         | 1                    | SNA    |
| 14-1 | DB90-02926A | ASSY CABI FRONT            | MA0 PJT,SSEC                    | 1         | 1                    | SA     |
| 14-2 | DB90-03030A | ASSY-BRACKET OUTLET PART   | DH90EAMC,SSEC,GLOBAL PJT        | 1         | 1                    | SA     |
| 14-3 | DB61-03058A | BRACKET MOTOR              | SGCC-M,T2.5                     | 1         | 1                    | SA     |
| 14-4 | DB97-03751A | ASSY-BAND MOTOR            | SLIM DUCT 3,SSEC                | 1         | 1                    | SA     |
| 14-5 | DB61-03059A | CASE BLOWER-UP             | ABS+10%GF                       | 2         | 2                    | SA     |
| 14-6 | DB61-03060A | CASE BLOWER-LOW            | ABS+10%GF                       | 2         | 2                    | SA     |
| 14-7 | DB67-00583B | BLOWER-D                   | EH140EZMC,ABS                   | 2         | 2                    | SA     |
| 14-8 | DB31-00355B | MOTOR FAN                  | YSK140-200-4                    | 1         | 1                    | SA     |
| 15   | DB93-04883A | ASSY CONTROL IN            | ASSY                            | -         | 1                    | SA     |
|      | DB93-04883B | ASSY CONTROL IN            | ASSY                            | -         | -                    | SA     |



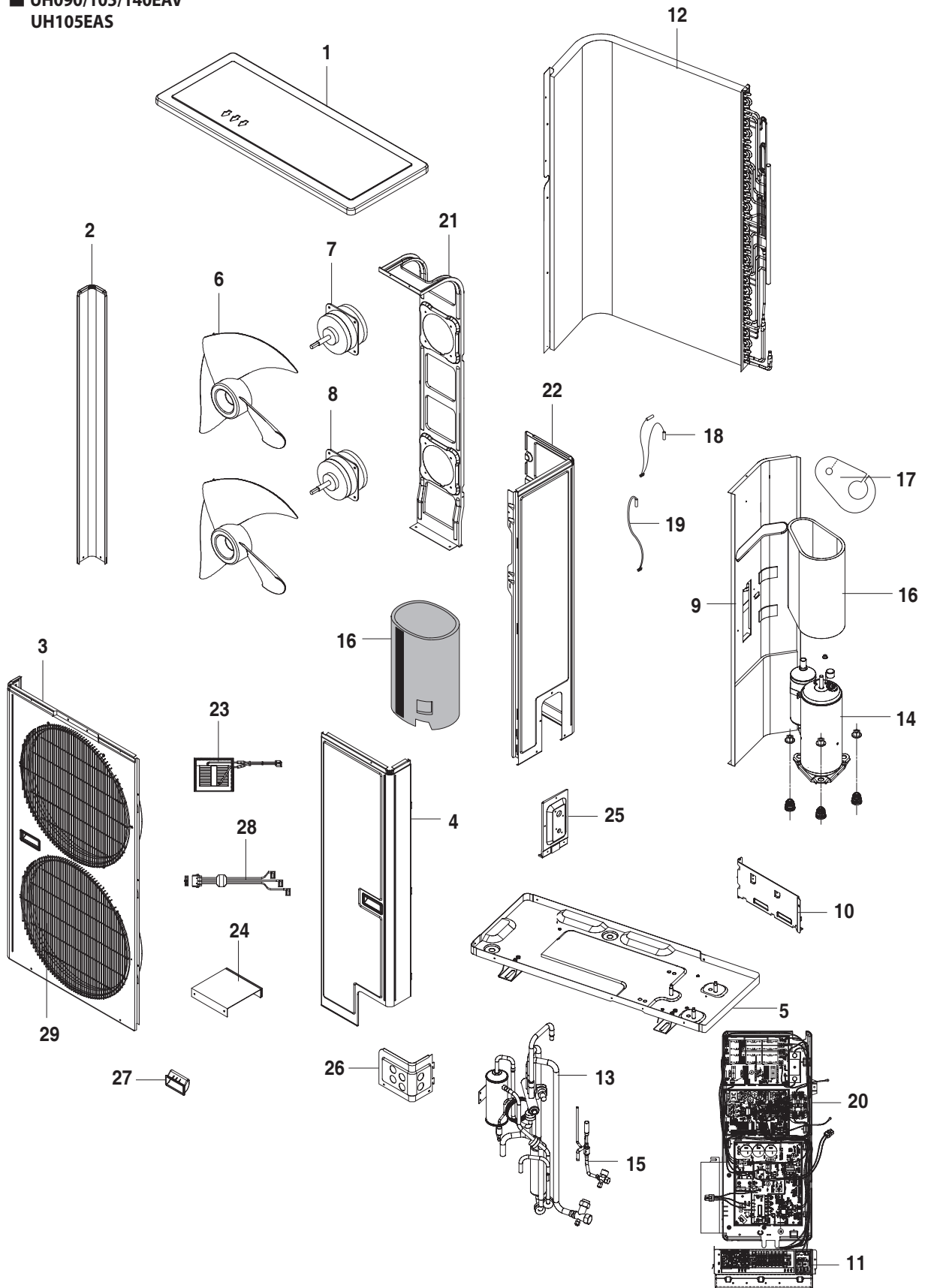
■ Parts List

| No.  | Code No.    | Description                 | Specification                        | Q'TY | SA/SNA |
|------|-------------|-----------------------------|--------------------------------------|------|--------|
| 1    | DB90-03809A | ASS'Y CABINET FRONT         | ASS'Y                                | 1    | SA     |
| 2    | DB90-03805A | ASS'Y CABINET-TOP           | ASS'Y                                | 1    | SA     |
| 3    | DB90-02928A | ASS'Y COVER-PIPE            | ASS'Y                                | 1    | SA     |
| 4    | DB90-03807A | ASS'Y CABINET-BOTTOM BLOWER | ASS'Y                                | 1    | SA     |
| 5    | DB90-03810A | ASS'Y CABINET-SIDE RH       | ASS'Y                                | 1    | SA     |
| 6    | DB90-02930A | ASS'Y CABINET-SIDE LF       | ASS'Y                                | 1    | SA     |
| 7    | DB90-03813A | ASS'Y-BRACKET OUTLET PART   | ASS'Y                                | 1    | SNA    |
| 8    | DB90-03808A | ASS'Y CABINET-BOTTOM DRAIN  | ASS'Y                                | 1    | SA     |
| 9    | DB61-01282A | HOLDER-SIDE CABI            | SGCC-M,T3.0,45.2,65                  | 4    | SNA    |
| 10   | DB61-02378A | HOLDER-PIPE                 | SGCC-M,T1.0                          | 1    | SNA    |
| 11   | DB63-01297A | COVER-HOLDER                | SGCC-M,T0.8                          | 1    | SNA    |
| 12   | DB63-01299G | FILTER-PRE                  | ASS'Y                                | 1    | SA     |
| 13   | DB96-08847A | ASS'Y EVAP-UNIT             | ASS'Y                                | 1    | SNA    |
| 14   | DB93-06161A | ASS'Y CONTROL IN            | ASS'Y                                | 1    | SNA    |
| 14-1 | DB90-02981B | ASS'Y CASE-CONTROL          | ASS'Y                                | 1    | SA     |
| 14-2 | DB61-02287A | CASE PCB                    | ABS V0,T2.5                          | 1    | SA     |
| 14-3 | DB26-00080A | TRANS POWER                 | AC 230V, 50HZ,DC 17V,DC 0.6A,VDE,ICE | 1    | SNA    |
| 14-4 | 2301-001381 | C-FILM,LEAD-OTHER           | 8000nF,+10-5%,450V,BK,58x30x44mm     | 1    | SA     |
| 14-5 | DB65-00105L | TERMINAL BLOCK              | DAF-S6P                              | 1    | SA     |
| 14-6 | DB65-00105M | TERMINAL BLOCK              | DAF-S6P                              | 1    | SA     |
| 14-7 | DB61-00250A | HOLDER-WIRE CLAMP           | ABS,BLK,ISI,SAMLINE                  | 2    | SNA    |
| 14-8 | DB93-03213L | ASS'Y PCB MAIN-IN           | ASS'Y                                | 1    | SNA    |
| 15   | DB63-01657A | COVER-CONTROL               | SGCC-M,T0.8                          | 1    | SA     |
| 16   | DB94-01697A | ASS'Y DRAIN PAN             | ASS'Y                                | 1    | SA     |
| 17   | DB61-03058A | BRACKET MOTOR               | SGCC-M,T2.0                          | 1    | SA     |
| 18   | DB31-00514A | MOTOR FAN                   | YSK-140-200-4E1, 0.7A, 50HZ          | 1    | SNA    |
| 19   | DB90-04047A | ASSY CASE BLOWER UPPER      | ABS,T2.0                             | 2    | SA     |
| 20   | DB61-03060A | CASE BLOWER-BOTTOM          | ABS,T2.0                             | 2    | SA     |
| 21   | DB67-00583A | BLOWER-C                    | ABS                                  | 2    | SA     |
| 22   | DB97-03751A | ASS'Y-BAND MOTOR            | ASS'Y                                | 1    | SNA    |
| 23   | DB32-00142B | THERMISTOR-IN               | 10Kohm,103AT,-20~+100                | 1    | SA     |



# 5-2 Outdoor Unit

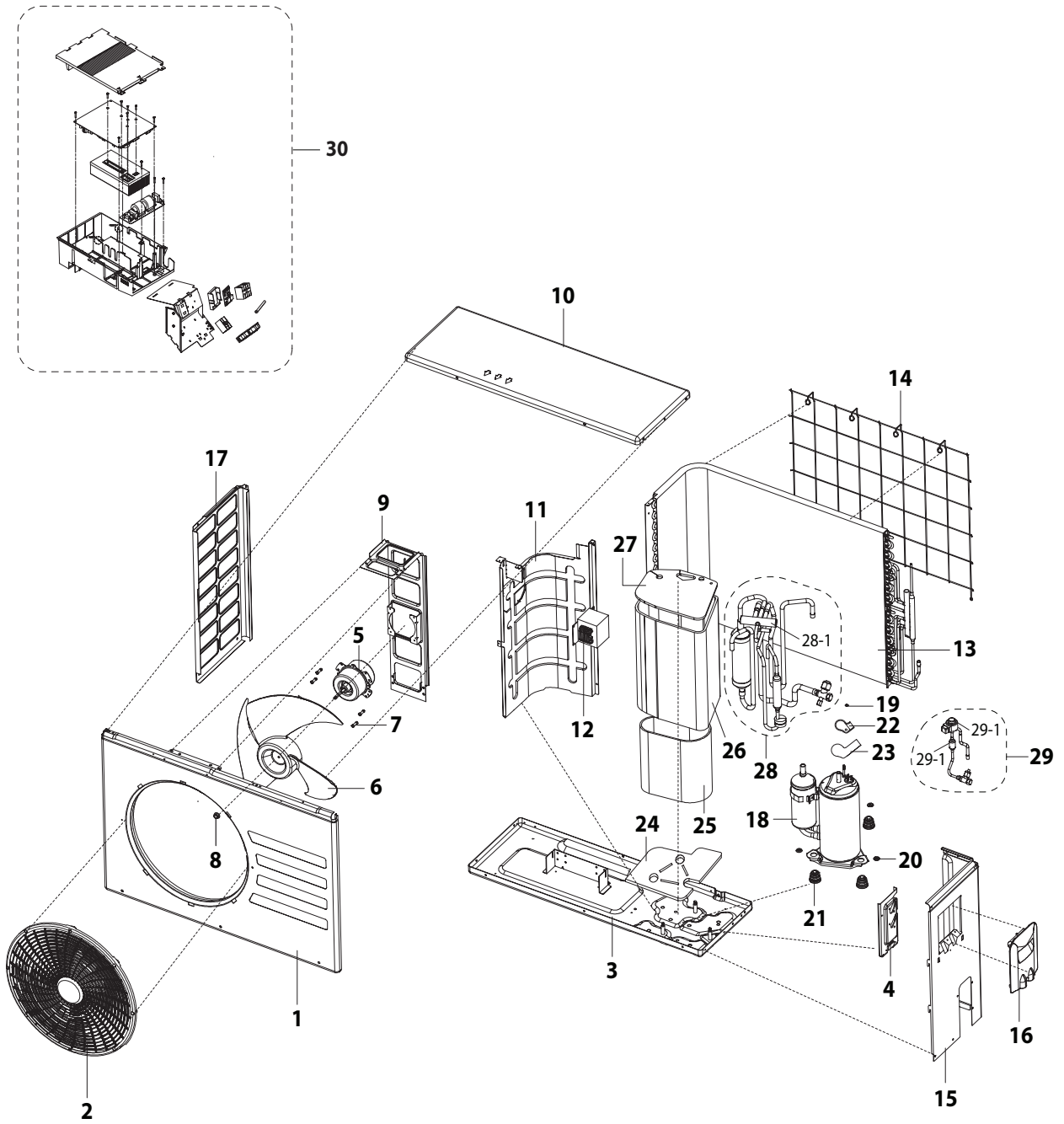
■ UH090/105/140EAV  
UH105EAS



■ Parts List

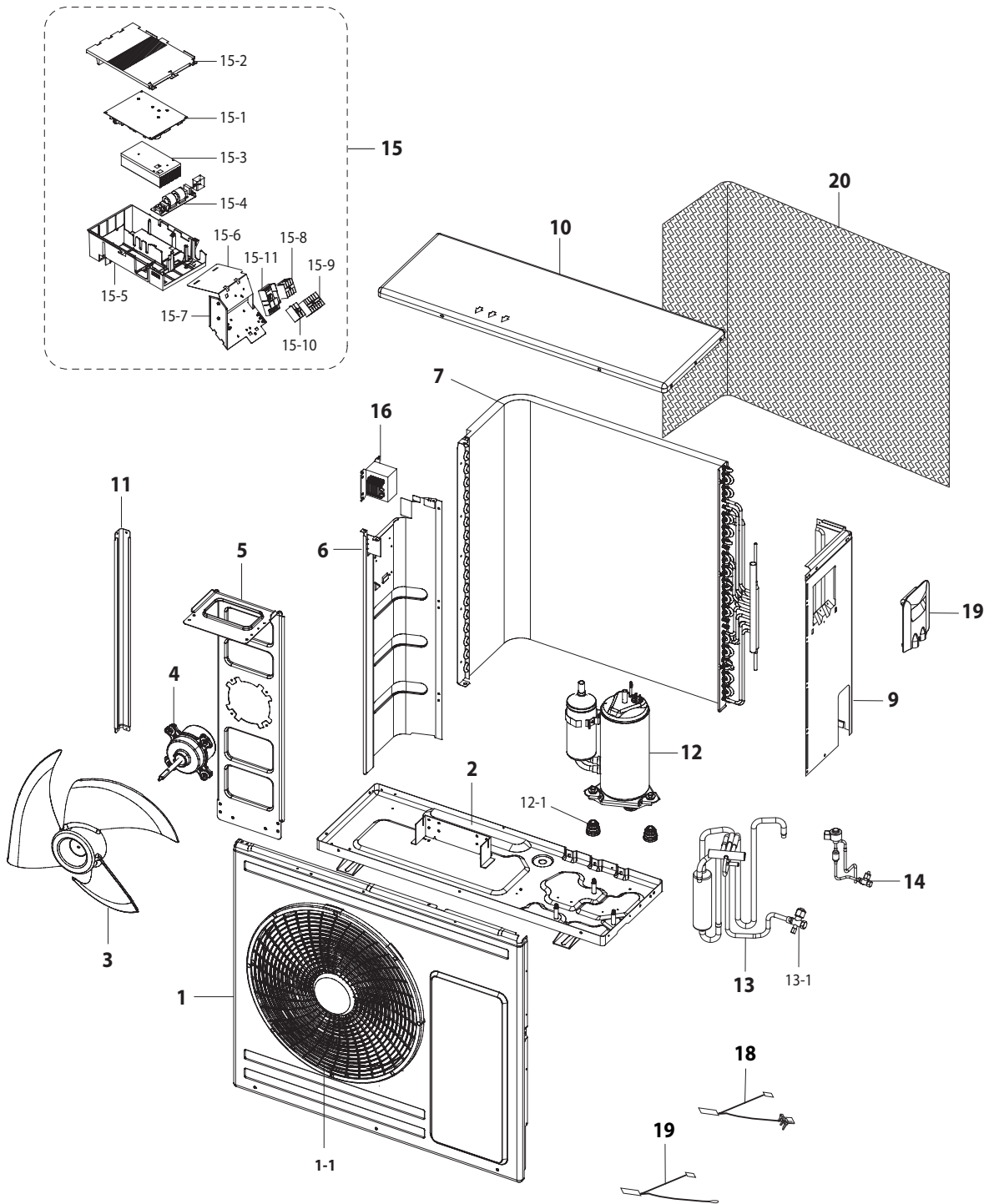
| No. | Code No.    | Description                   | SPEC                   | QTY      |          |          |          | SA/<br>SNA |
|-----|-------------|-------------------------------|------------------------|----------|----------|----------|----------|------------|
|     |             |                               |                        | UH090EAV | UH105EAV | UH105EAS | UH140EAV |            |
| 1   | DB90-01533B | ASS'Y-CABI TOP COVER          | SECC-P,0.8T            | 1        | 1        | 1        | 1        | SA         |
| 2   | DB90-01588A | ASS'Y CABI BACK LF            | SECC-P,1.2T            | 1        | 1        | 1        | 1        | SA         |
| 3   | DB90-01535B | ASS'Y-CABI FRONT LF           | SECC-P,0.8T            | 1        | 1        | 1        | 1        | SA         |
| 4   | DB90-01534C | ASS'Y CABI FRONT RH           | SECC-P,0.8T            | 1        | 1        | 1        | 1        | SA         |
| 5   | DB99-00538E | ASS'Y-CABI BASE PART          | SGCC-M,T1.6            | 1        | 1        | 1        | 1        | SNA        |
| 6   | DB67-00438B | FAN-PROPELLER                 | ABS+GF10%              | 2        | 2        | 2        | 2        | SNA        |
| 7   | DB31-00386H | MOTOR FAN                     | DL-95835SSOA           | 1        | 1        | 1        | 1        | SNA        |
| 8   | DB31-00386J | MOTOR FAN                     | DL-95835SSOB           | 1        | 1        | 1        | 1        | SNA        |
| 9   | DB90-03986A | ASS'Y-PRATITION               | SGCC-M,T0.8            | 1        | 1        | 1        | 1        | SA         |
| 10  | DB61-03566A | PLATE-CONTROL UP              | SGCC-M,T1.0            | 1        | 1        | 1        | 1        | SA         |
| 11  | DB93-06548A | ASS'Y-PLATE CONTROL LOW       | SGCC-M,T1.0            | 1        | 1        | 1        | 1        | SA         |
| 12  | DB96-09606A | ASS'Y COND UNIT               | 2x52,SLIT,SLICA,FP1.5  | -        | -        | -        | 1        | SNA        |
|     | DB96-09416A | ASS'Y COND UNIT               | 2x52,SLIT,FP1.5        | 1        | 1        | 1        | -        | SNA        |
| 13  | DB96-09433A | ASS'Y-4WAY VALVE              | HP,3/8,3/4,G5T450FUAEX | -        | -        | -        | 1        | SNA        |
|     | DB96-09402A | ASS'Y-4WAY VALVE              | HP,3/8,5/8,G5T360FUAEK | 1        | 1        | 1        | -        | SNA        |
| 14  | G5T450FUAEX | COMPRESSOR                    | G5T450FUAEX            | -        | -        | -        | 1        | SNA        |
|     | G5T360FUAEK | COMPRESSOR                    | G5T360FUAEK            | 1        | 1        | 1        | -        | SNA        |
| 15  | DB96-09431A | ASS'Y-EEV VALVE               | ASSY                   | -        | -        | -        | 1        | SA         |
|     | DB96-09431B | ASS'Y-EEV VALVE               | ASSY                   | 1        | 1        | 1        | -        | SA         |
| 16  | DB63-02008A | FELT-COMP SOUND               | GRAY FELT+EVAR         | 1        | 1        | 1        | 1        | SA         |
| 17  | DB63-02007A | FELT-TOP COVER                | GRAY FELT+EVAR         | 1        | 1        | 1        | 1        | SA         |
| 18  | DB95-01419A | ASS'Y THEMISTOR-OLP/COND      | ASSY                   | 1        | 1        | 1        | 1        | SA         |
| 19  | DB95-01420A | ASS'Y THEMISTOR-AIR/DISCHARGE | ASSY                   | 1        | 1        | 1        | 1        | SA         |
| 20  | DB93-05841A | ASS'Y CONTROL OUT             | UH140EAV               | -        | -        | -        | 1        | SA         |
|     | DB93-05841B | ASS'Y CONTROL OUT             | UH105EAV               | -        | 1        | 1        | -        | SA         |
|     | DB93-05841C | ASS'Y CONTROL OUT             | UH090EAV               | 1        | -        | -        | -        | SA         |
| 21  | DB94-01767A | ASS'Y BRACKET MOTOR           | SGCC-M,T1.6            | 1        | 1        | 1        | 1        | SNA        |
| 22  | DB90-01637C | ASS'Y CABI BACK RH            | SECC-P,0.8T            | 1        | 1        | 1        | 1        | SA         |
| 23  | DB27-00056A | ASS'Y REACTOR                 | ASSY                   | 1        | 1        | 1        | 1        | SA         |
| 24  | DB90-02583A | ASS'Y-MOTOR BRACKET SUB       | SGCC-M,T1.2            | -        | -        | -        | 1        | SNA        |
|     | DB90-02583B | ASS'Y-MOTOR BRACKET SUB       | SGCC-M,T1.2            | 1        | 1        | 1        | -        | SNA        |
| 25  | DB97-02613A | ASS'Y BRACKET-VAVLE           | SGCC-M,T1.6            | 1        | 1        | 1        | 1        | SNA        |
| 26  | DB61-01910A | BRACKET-WIRE                  | SECC-P,1.0T            | 1        | 1        | 1        | 1        | SA         |
| 27  | DB64-01231A | HANDLE                        | ABS,V0                 | 3        | 3        | 3        | 3        | SA         |
| 28  | DB93-05954A | ASS'Y CONNECTOR WIRE-COMP     | ASSY                   | 1        | 1        | 1        | 1        | SA         |
| 29  | DB63-00691A | GUARD FAN                     | MSWR                   | 2        | 2        | 2        | 2        | SA         |

■ UH052EAV1



## Parts List

| No.  | Code No.    | Description           | Specification     | Q'TY | SA/SNA |
|------|-------------|-----------------------|-------------------|------|--------|
| 1    | DB90-03914A | ASS'Y CABI FRONT      | ASS'Y             | 1    | SA     |
| 2    | DB63-00838A | GUARD FAN             | PP,SC-90073R      | 1    | SA     |
| 3    | DB90-00285Y | ASS'Y BASE OUT        | ASS'Y             | 1    | SA     |
| 4    | DB61-01593A | BRACKET-VALVE         | SECC-PSC-90073T   | 1    | SA     |
| 5    | DB31-00492A | MOTOR FAN             | BLDC              | 1    | SA     |
| 6    | DB67-00142A | FAN-PROPELLER         | AS+GF20%          | 1    | SA     |
| 7    | DB60-00150A | SCREW-HEX             | M4,L10            | 4    | SA     |
| 8    | DB60-30020A | SCREW-MACHINE         | M6,ZPC(WHT)       | 1    | SA     |
| 9    | DB61-00686A | BRACKET MOTOR         | SGCC-M            | 1    | SA     |
| 10   | DB90-10616G | ASS'Y CABI UP         | ASS'Y             | 1    | SA     |
| 11   | DB94-01210B | ASS'Y-PARTITION       | ASS'Y             | 1    | SA     |
| 12   | DB27-00043A | COIL CHOKE-REACTOR    | 5mH,20A,50Hz      | 1    | SA     |
| 13   | DB96-04087B | ASS'Y COND            | ASS'Y             | 1    | SA     |
| 14   | DB64-02083A | SCREEN-COND BAR       | HSWR + PE coating | 1    | SA     |
| 15   | DB90-01651E | ASS'Y CABINET-SIDE RH | ASS'Y             | 1    | SA     |
| 16   | DB90-03652A | ASS'Y-COVER CONTROL   | ASS'Y             | 1    | SA     |
| 17   | DB90-01351A | ASS'Y CABINET-LF      | ASS'Y             | 1    | SA     |
| 18   | G8T200FUAEW | COMPRESSOR            | ROTARY            | 1    | SA     |
| 19   | 6021-001142 | NUT-HEXAGON FLANGE    | M5,ZPC(YEL)       | 1    | SA     |
| 20   | DB60-30028A | SCREW-HEX             | M8,ZPC(WHT)       | 3    | SA     |
| 21   | DB63-00815A | GROMMET ISOLATOR      | NR                | 3    | SA     |
| 22   | DB63-00816A | COVER TERMINAL        | NORYL             | 1    | SA     |
| 23   | DB63-00817A | GASKET                | EPDM RUBBER       | 1    | SA     |
| 24   | DB63-01719A | FELT-COMP BASE        | FELT+PVC          | 1    | SA     |
| 25   | DB63-01668A | FELT-COMP SIDE        | FELT+PVC          | 1    | SA     |
| 26   | DB63-02024A | FELT-COMP SIDE OUT    | FELT+PVC          | 1    | SA     |
| 27   | DB63-02025A | FELT-COMP TOP         | FELT+PVC          | 1    | SA     |
| 28   | DB96-09374A | ASS'Y-VALVE 4WAY      | ASS'Y             | 1    | SA     |
| 28-1 | DB33-00002C | SOLENOID-ASS'Y        | ASS'Y             | 1    | SA     |
| 29   | DB96-09092A | ASS'Y-VALVE EEV       | ASS'Y             | 1    | SA     |
| 29-1 | DB62-02863A | VALVE-EXPANSION BODY  | ASS'Y             | 1    | SNA    |
| 29-2 | DB62-03964A | VALVE EXPAN-COIL      | ASS'Y             | 1    | SNA    |
| 30   | DB93-05838C | ASS'Y CONTROL OUT     | ASS'Y             | 1    | SA     |

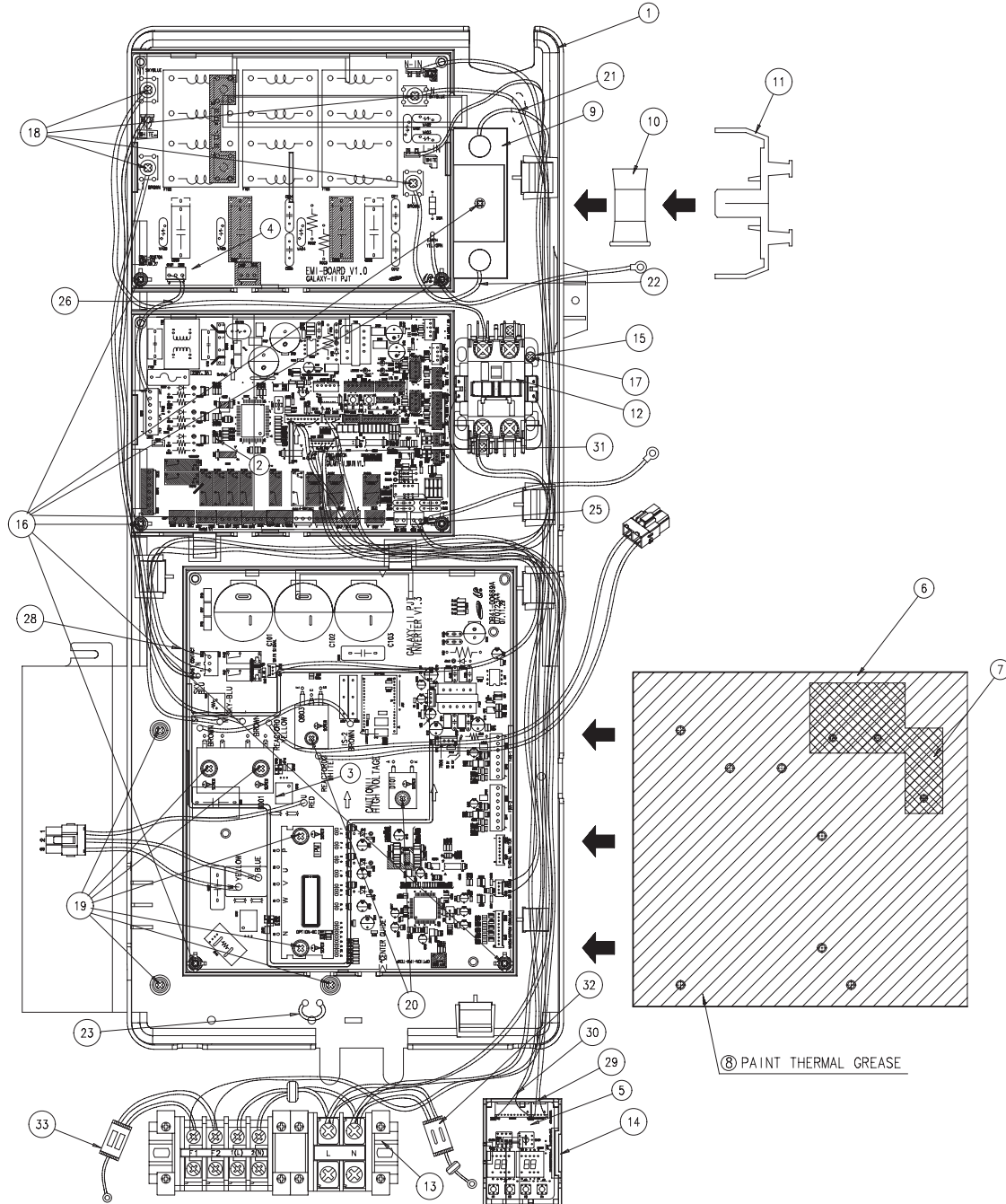


■ Parts List

| No.   | Code No.    | Description                   | Specification    | Q'TY | SA/SNA |
|-------|-------------|-------------------------------|------------------|------|--------|
| 1     | DB90-03918A | ASS'Y CABI FRONT-TOTAL        | ASS'Y            | 1    | SNA    |
| 1-1   | DB63-00831A | GUARD FAN-P                   | PP,SC-90073R     | 1    | SA     |
| 2     | DB90-03278C | ASS'Y BASE OUT-TOTAL          | ASS'Y            | 1    | SNA    |
| 3     | DB67-00861A | FAN PROFELLER                 | AS-GF 20%        | 1    | SNA    |
| 4     | DB31-00512A | MOTOR FAN                     | 65A,130W,DC 310V | 1    | SA     |
| 5     | DB61-20094D | BASE MOTOR                    | SGCC-M           | 1    | SNA    |
| 6     | DB94-01750A | ASS'Y PARTITION               | ASS'Y            | 1    | SNA    |
| 7     | DB96-09349A | ASS'Y COND                    | ASS'Y            | 1    | SNA    |
| 8     | DB61-00821A | GUIDE SCREEN                  | HSWR             | 1    | SNA    |
| 9     | DB90-04127A | ASS'Y CABINET-SIDE RH         | ASS'Y            | 1    | SNA    |
| 10    | DB90-03275A | ASS'Y CABINET UP              | ASS'Y            | 1    | SNA    |
| 11    | DB63-00758A | GUARD COND                    | SGCC-M           | 1    | SNA    |
| 12    | G8T260FUAEW | COMPRESSOR                    | BLDC INVERTER    | 1    | SA     |
| 12-1  | DB63-00763A | GROMMET ISOLATOR              | NR               | 3    | SNA    |
| 13    | DB96-09352A | ASS'Y 4WAY VALVE              | ASS'Y            | 1    | SNA    |
| 14    | DB96-09445A | ASS'Y VALVE EEV               | ASS'Y            | 1    | SNA    |
| 15    | DB93-05838B | ASS'Y CONTROL OUT             | ASS'Y            | 1    | SA     |
| 15-1  | DB93-05700F | ASS'Y PCB MAIN                | ASS'Y            | 1    | SA     |
| 15-2  | DB61-02974A | CASE CONTROL COVER            | ABS              | 1    | SA     |
| 15-3  | DB62-05315A | HEAT SINK                     |                  | 1    | SNA    |
| 15-4  | DB93-04745D | ASS'Y PCB SUB EMI             | ASS'Y            | 1    | SNA    |
| 15-5  | DB61-02973A | CASE CONTROL BASE             | ABS              | 1    | SNA    |
| 15-6  | DB70-00910A | PLATE-CONTROL OUT             | SGCC-M           | 1    | SC     |
| 15-7  | DB95-01180B | ASS'Y-TERMINAL BLOCK          | SGCC-M           | 1    | SC     |
| 15-8  | DB65-00181D | TERMINAL BLOCK                | BLK              | 1    | SC     |
| 15-9  | DB65-00181F | TERMINAL BLOCK                | BLK              | 1    | SC     |
| 15-10 | DB95-01180A | ASS'Y-TERMINAL BLOCK          | ASS'Y            | 1    | SC     |
| 15-11 | DB93-06290A | ASS'Y PCB SUB-DISPLAY         | ASS'Y            | 1    | SA     |
| 15-12 | DB61-01097A | HOLDER WIRE CLAMP             | ABS              | 2    | SA     |
| 16    | DB27-00043A | REACTOR                       | 20A, 50Hz        | 1    | SA     |
| 17    | DB32-00175B | THERMISTOR COND               | 103AT,204CTB     | 1    | SC     |
| 18    | DB32-00176C | THERMISTOR WIRE OUT/DISCHARGE | 103AT,204CTB     | 1    | SC     |
| 19    | DB90-03652A | ASS'Y COVER CONTROL           | ASS'Y            | 1    | SA     |

# 5-3 Assy control out

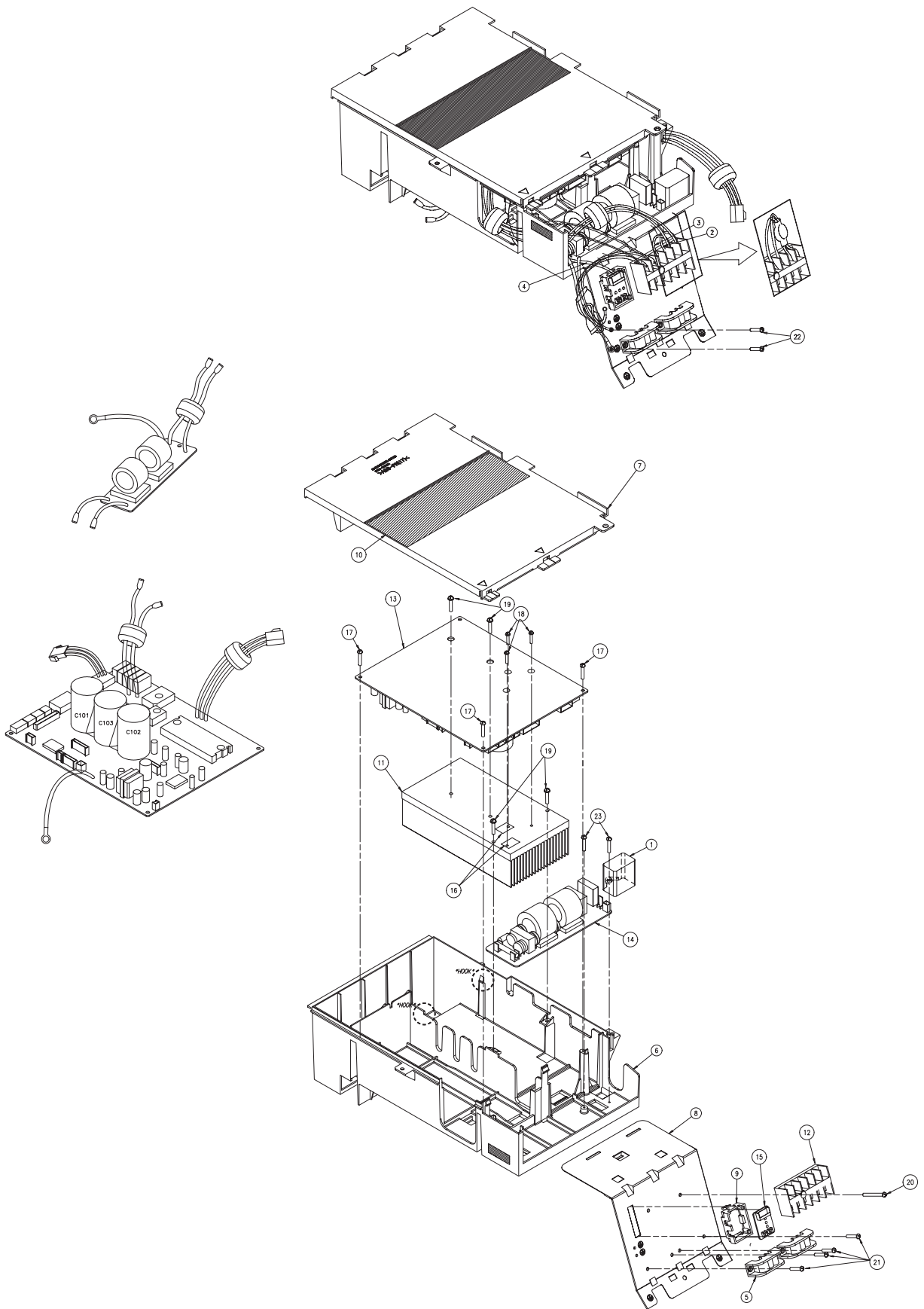
■ UH090/105/140EAV  
UH105EAS



■ Parts List

| No. | Code No.    | Description                       | SPEC                    | QTY      |            |          | SA/SNA |
|-----|-------------|-----------------------------------|-------------------------|----------|------------|----------|--------|
|     |             |                                   |                         | UH140EAV | UH105EAV/S | UH090EAV |        |
| 1   | DB61-03568A | CASE CONTROL-OUT                  | ABS,2,5,328,611.6,BLACK | 1        | 1          | 1        | SA     |
| 2   | DB93-05842A | ASSY PCB MAIN-OUT                 | GALAXY2                 | 1        | 1          | 1        | SA     |
|     | DB93-05843A | ASSY PCB MAIN-INVERTER            | UH140EAV                | 1        | -          | -        | SA     |
| 3   | DB93-05843B | ASSY PCB MAIN-INVERTER            | UH105EAV                | -        | 1          | -        | SA     |
|     | DB93-05843C | ASSY PCB MAIN-INVERTER            | UH090EAV                | -        | -          | 1        | SA     |
| 4   | DB93-05844A | ASSY PCB SUB-EMI                  | GALAXY2                 | 1        | 1          | 1        | SA     |
| 5   | DB93-05955A | ASSY PCB SUB-DISPLAY              | GALAXY2                 | 1        | 1          | 1        | SA     |
| 6   | DB62-05407A | HEAT SINK                         | AL6063                  | 1        | 1          | 1        | SA     |
| 7   | DB62-05533A | INSULATION                        | MICA                    | 1        | 1          | 1        | SNA    |
| 8   | DB98-24813A | ASSY-THERMAL GREASE               |                         | 5g       | 5g         | 5g       | SA     |
| 9   | 3602-001043 | FUSE-BLOCK                        | L60060C-1C              | 1        | 1          | 1        | SA     |
| 10  | 3601-001445 | FUSE-CARTRIDGE                    | CCMR040                 | 1        | 1          | 1        | SA     |
| 11  | 3602-001044 | FUSE-BLOCK COVER                  | L60060C-1C              | 1        | 1          | 1        | SA     |
| 12  | DB35-00061A | RELAY                             |                         | 1        | 1          | 1        | SA     |
| 13  | DB95-01315G | ASSY-TERMINAL BLOCK               | 600V,35A,4P+600V,60A,2P | 1        | 1          | 1        | SA     |
| 14  | DB61-01948A | CASE-SUB PCB                      | ABS,V0                  | 1        | 1          | 1        | SA     |
| 15  | DB60-00321A | FASTENER-NUT                      | CU                      | 1        | 1          | 1        | SA     |
| 16  | 6002-000536 | SCREW-TAPPING                     | PH,2S,M4,L10            | 7        | 7          | 7        | SNA    |
| 17  | 6001-001683 | SCREW-HEX                         | HWH,M4,L10,SWRCH18A     | 1        | 1          | 1        | SNA    |
| 19  | DB91-00307A | ASSY-SCREW MACHINE                | M4*16,WSP,PH,ZPC        | 7        | 7          | 7        | SA     |
| 20  | DB91-00306A | ASSY-SCREW MACHINE                | M3*16,WSP,PH,ZPC        | 2        | 2          | 2        | SA     |
| 21  | DB93-06326A | ASSY CONNECTOR WIRE-FUSE          | UH140EAV,SSEC           | 1        | 1          | 1        | SA     |
| 22  | DB93-06327A | ASSY CONNECTOR WIRE-FUSE          | UH140EAV,SSEC           | 1        | 1          | 1        | SA     |
| 23  | DB71-50031B | HOLDER WIRE                       | NYLON6/6                | 1        | 1          | 1        | SA     |
| 25  | DB93-06331A | ASSY CONNECTOR WIRE-COMM          | UH140EAV,SSEC           | 1        | 1          | 1        | SA     |
| 26  | DB93-06332A | ASSY CONNECTOR WIRE-POWER         | UH140EAV,SSEC           | 1        | 1          | 1        | SA     |
| 28  | DB93-06336A | ASSY CONNECTOR WIRE-POWER         | UH140EAV,SSEC           | 1        | 1          | 1        | SA     |
| 29  | DB93-06324A | ASSY CONNECTOR WIRE-DISPLAY       | UH140EAV,SSEC           | 1        | 1          | 1        | SA     |
| 30  | DB93-06325A | ASSY CONNECTOR WIRE-DISPLAY       | UH140EAV,SSEC           | 1        | 1          | 1        | SA     |
| 31  | DB93-06337A | ASSY CONNECTOR WIRE-MAIN INVERTER | 7P                      | 1        | 1          | 1        | SA     |
| 32  | DB95-01040H | ASSY-NOISE ABSORBER               | UH140EAV,SSEC           | 1        | 1          | 1        | SA     |
| 33  | DB93-01469S | ASSY PCB SUB                      | 220nF*2                 | 1        | 1          | 1        | SA     |

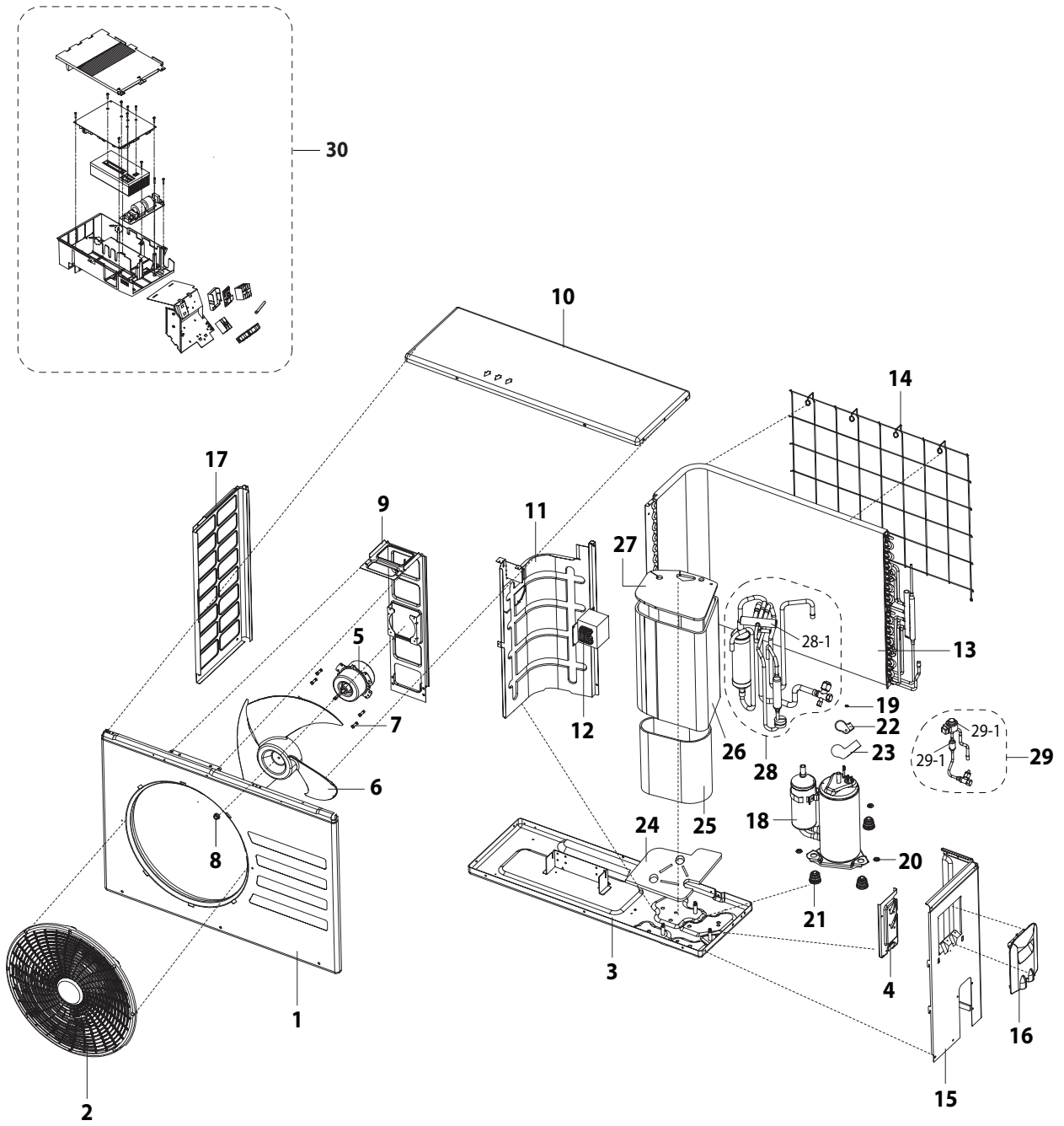




■ Parts List

| No. | Code No.    | Description                   | Specification   | Q'TY      |           | SA/SNA |
|-----|-------------|-------------------------------|---|-----------|-----------|--------|
|     |             |                               |   | UH052EAV1 | UH060EAV1 |        |
| 1   | 2301-001369 | C-FILM,LEAD-OTHER             | 3000nF,+10-5%,450V,BK,47x19x28mm,-  | 1         | 1         | SA     |
| 2   | DB39-00604W | LEAD CONNECTOR-N              | BLDC FJM,#16 AWG. 1015,-,-,100,SKY/BLU,<br>AWG16,179974-1,179974-1,-,230V/50Hz,-,10 | 1         | 1         | SNA    |
| 3   | DB39-00604X | LEAD CONNECTOR-L              | BLDC FJM,AWG #16,1015,-,-,200,BRN,AWG16,<br>179974-1,179974-1,-,230V/50Hz,-,100,-,- | 1         | 1         | SNA    |
| 4   | DB39-01198A | CONNECT WIRE                  | AS24(18)BPB,#2096 26 AWG,-,5P,260,-,-,-,-,-,<br>230V/50Hz,1.25mm,-,UL2096 26        | 1         | 1         | SNA    |
| 5   | DB61-00171A | HOLDER-WIRE CLAMP             | -ABS,-,-,-,BLK,V21-PJ   | 1         | 1         | SA     |
| 6   | DB61-02511A | CASE CONTROL-BASE             | AS18BPBX,ABS V0,T2.0,359.2,241.4,BLK,<br>Inverter 18~24K Controller                 | 1         | 1         | SNA    |
| 7   | DB61-02512A | CASE CONTROL-COVER            | AS18BPBX,ABS V0,T2.0,317.7,230,BLK,<br>Inverter 18~24K Controller                   | 1         | 1         | SNA    |
| 8   | DB61-02534A | PLATE-CONTROL OUT             | AS18,24BPBX,SGCC-M,T0.6,155.5,136.2,18,<br>24K BLDC INV.,Q,P Chassis                | 1         | 1         | SA     |
| 9   | DB61-02543A | CASE-DISPLAY PCB              | UH026EAV,ABS V0,T2.0,40,30,BLK,BAC INV.   | 1         | 1         | SNA    |
| 10  | DB62-01925D | INSULATION-CONTROL<br>BOX TOP | AS18BPBX,FOAM-LEX,2,210,50,WHT,-,-,-,<br>INVERTER                                   | 1         | 1         | SNA    |
| 11  | DB62-03874A | HEAT SINK                     | AS24(18)BPB,AL,8,100mm,185mm,AL,-,-,50mm  | 1         | 1         | SNA    |
| 12  | DB65-00179C | TERMINAL BLOCK                | DAF-6P,PC-ABS,250 TAB 6pin,AWG#14,<br>70mmx36mm,BLK,250V 25A,\1500V,500V            | 1         | 1         | SNA    |
| 13  | DB93-03545D | ASS'Y PCB MAIN                | UH052EAV  | 1         | -         | -      |
|     | DB93-03545C | ASS'Y PCB MAIN                | UH060EAV  | -         | 1         | -      |
| 14  | DB93-03546A | ASS'Y PCB SUB-EMI             | UH052EAV  | 1         | -         | -      |
|     | DB93-03546C | ASS'Y PCB SUB-EMI             | UH060EAV  | -         | 1         | -      |
| 15  | DB93-03662A | ASS'Y PCB DISPLAY             | AS18BPB,24K/18K(SUB)  | 1         | 1         | SNA    |
| 16  | DB98-17991B | ASS'Y-INSULATOR MICA          | SH12BWH,-   | 2         | 2         | -      |
| 17  | 6002-000630 | SCREW-TAPPING                 | PH,+,-,2S,M3,L8,ZPC(YEL),SWRCH18A,-   | 3         | 3         | SNA    |
| 18  | DB91-00306A | ASS'Y-SCREW MACHINE           | WW-INV,M3x16,WSP,PH,+,-,ZPC   | 3         | 3         | SNA    |
| 19  | DB91-00307A | ASS'Y-SCREW MACHINE           | WW-INV,M4x16,WSP,PH,+,-,ZPC   | 4         | 4         | -      |
| 20  | 6002-000555 | SCREW-TAPPING                 | PH,+,-,2S,M4,L25,ZPC(YEL),SWRCH1  | 1         | 1         | SNA    |
| 21  | 6001-001054 | SCREW-MACHINE                 | TH,+,-,M4,L10,ZPC(YEL),SM20C,-,-  | 4         | 4         | SNA    |
| 22  | 6009-001001 | SCREW-SPECIAL                 | TH,+,-,M4,L8,ZPC(WHT),T.C,-,-   | 1         | 1         | SNA    |
| 23  | 6002-000171 | SCREW-TAPPING                 | PH,+,-,2S,M4,L10,ZPC(YEL),SWRCH1  | 2         | 2         | SNA    |

■ UH052EAV1



## Parts List

| No.  | Code No.    | Description           | Specification     | Q'TY | SA/SNA |
|------|-------------|-----------------------|-------------------|------|--------|
| 1    | DB90-03914A | ASS'Y CABI FRONT      | ASS'Y             | 1    | SA     |
| 2    | DB63-00838A | GUARD FAN             | PP,SC-90073R      | 1    | SA     |
| 3    | DB90-00285Y | ASS'Y BASE OUT        | ASS'Y             | 1    | SA     |
| 4    | DB61-01593A | BRACKET-VALVE         | SECC-P,SC-90073T  | 1    | SA     |
| 5    | DB31-00492A | MOTOR FAN             | BLDC              | 1    | SA     |
| 6    | DB67-00142A | FAN-PROPELLER         | AS+GF20%          | 1    | SA     |
| 7    | DB60-00150A | SCREW-HEX             | M4,L10            | 4    | SA     |
| 8    | DB60-30020A | SCREW-MACHINE         | M6,ZPC(WHT)       | 1    | SA     |
| 9    | DB61-00686A | BRACKET MOTOR         | SGCC-M            | 1    | SA     |
| 10   | DB90-10616G | ASS'Y CABI UP         | ASS'Y             | 1    | SA     |
| 11   | DB94-01210B | ASS'Y-PARTITION       | ASS'Y             | 1    | SA     |
| 12   | DB27-00043A | COIL CHOKE-REACTOR    | 5mH,20A,50Hz      | 1    | SA     |
| 13   | DB96-04087B | ASS'Y COND            | ASS'Y             | 1    | SA     |
| 14   | DB64-02083A | SCREEN-COND BAR       | HSWR + PE coating | 1    | SA     |
| 15   | DB90-01651E | ASS'Y CABINET-SIDE RH | ASS'Y             | 1    | SA     |
| 16   | DB90-03652A | ASS'Y-COVER CONTROL   | ASS'Y             | 1    | SA     |
| 17   | DB90-01351A | ASS'Y CABINET-LF      | ASS'Y             | 1    | SA     |
| 18   | G8T200FUAEW | COMPRESSOR            | ROTARY            | 1    | SA     |
| 19   | 6021-001142 | NUT-HEXAGON FLANGE    | M5,ZPC(YEL)       | 1    | SA     |
| 20   | DB60-30028A | SCREW-HEX             | M8,ZPC(WHT)       | 3    | SA     |
| 21   | DB63-00815A | GROMMET ISOLATOR      | NR                | 3    | SA     |
| 22   | DB63-00816A | COVER TERMINAL        | NORYL             | 1    | SA     |
| 23   | DB63-00817A | GASKET                | EPDM RUBBER       | 1    | SA     |
| 24   | DB63-01719A | FELT-COMP BASE        | FELT+PVC          | 1    | SA     |
| 25   | DB63-01668A | FELT-COMP SIDE        | FELT+PVC          | 1    | SA     |
| 26   | DB63-02024A | FELT-COMP SIDE OUT    | FELT+PVC          | 1    | SA     |
| 27   | DB63-02025A | FELT-COMP TOP         | FELT+PVC          | 1    | SA     |
| 28   | DB96-09374A | ASS'Y-VALVE 4WAY      | ASS'Y             | 1    | SA     |
| 28-1 | DB33-00002C | SOLENOID-ASS'Y        | ASS'Y             | 1    | SA     |
| 29   | DB96-09092A | ASS'Y-VALVE EEV       | ASS'Y             | 1    | SA     |
| 29-1 | DB62-02863A | VALVE-EXPANSION BODY  | ASS'Y             | 1    | SNA    |
| 29-2 | DB62-03964A | VALVE EXPAN-COIL      | ASS'Y             | 1    | SNA    |
| 30   | DB93-05838C | ASS'Y CONTROL OUT     | ASS'Y             | 1    | SA     |

# MEMO