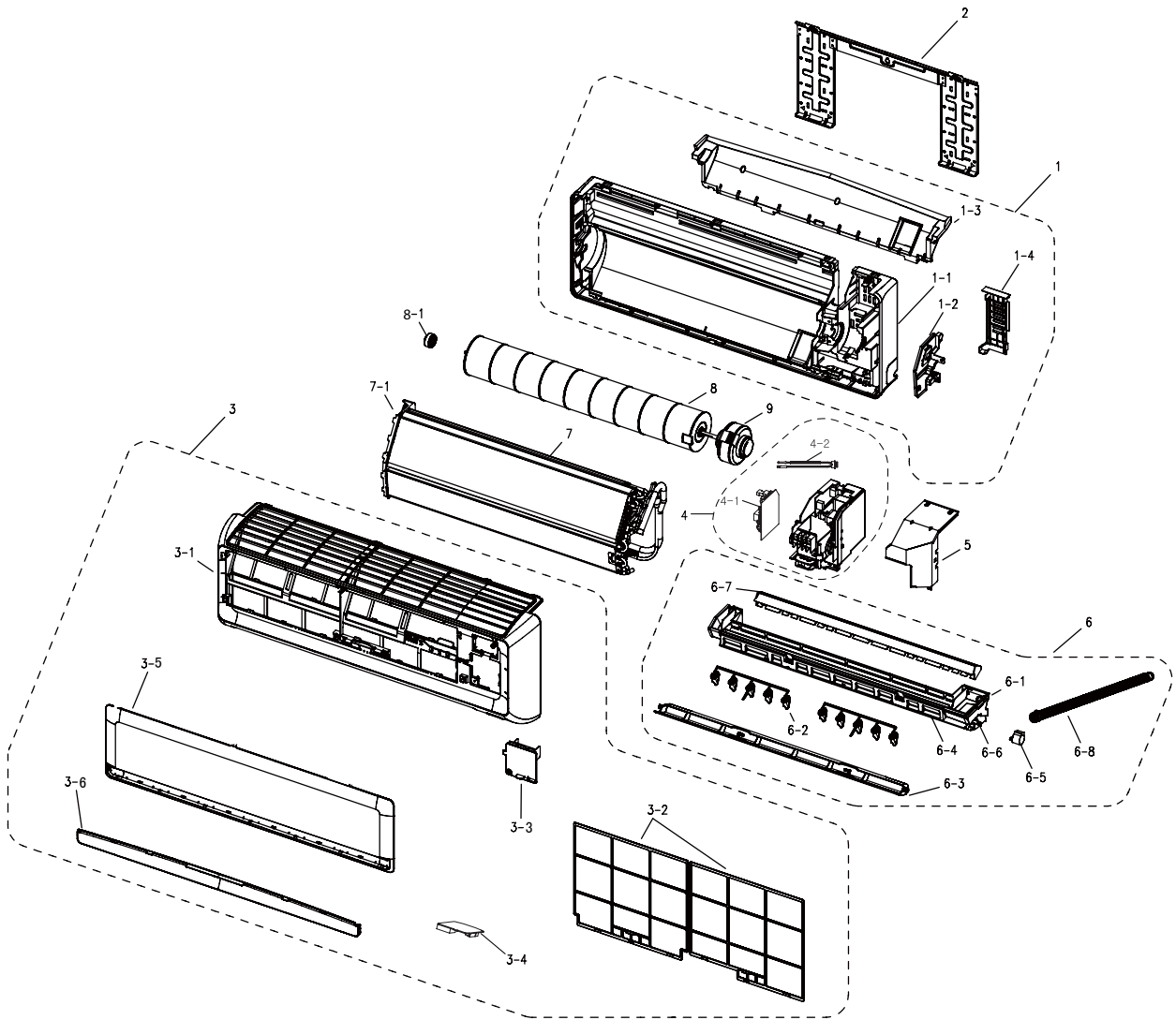


5. Exploded Views and Parts List

5-1 Indoor Unit

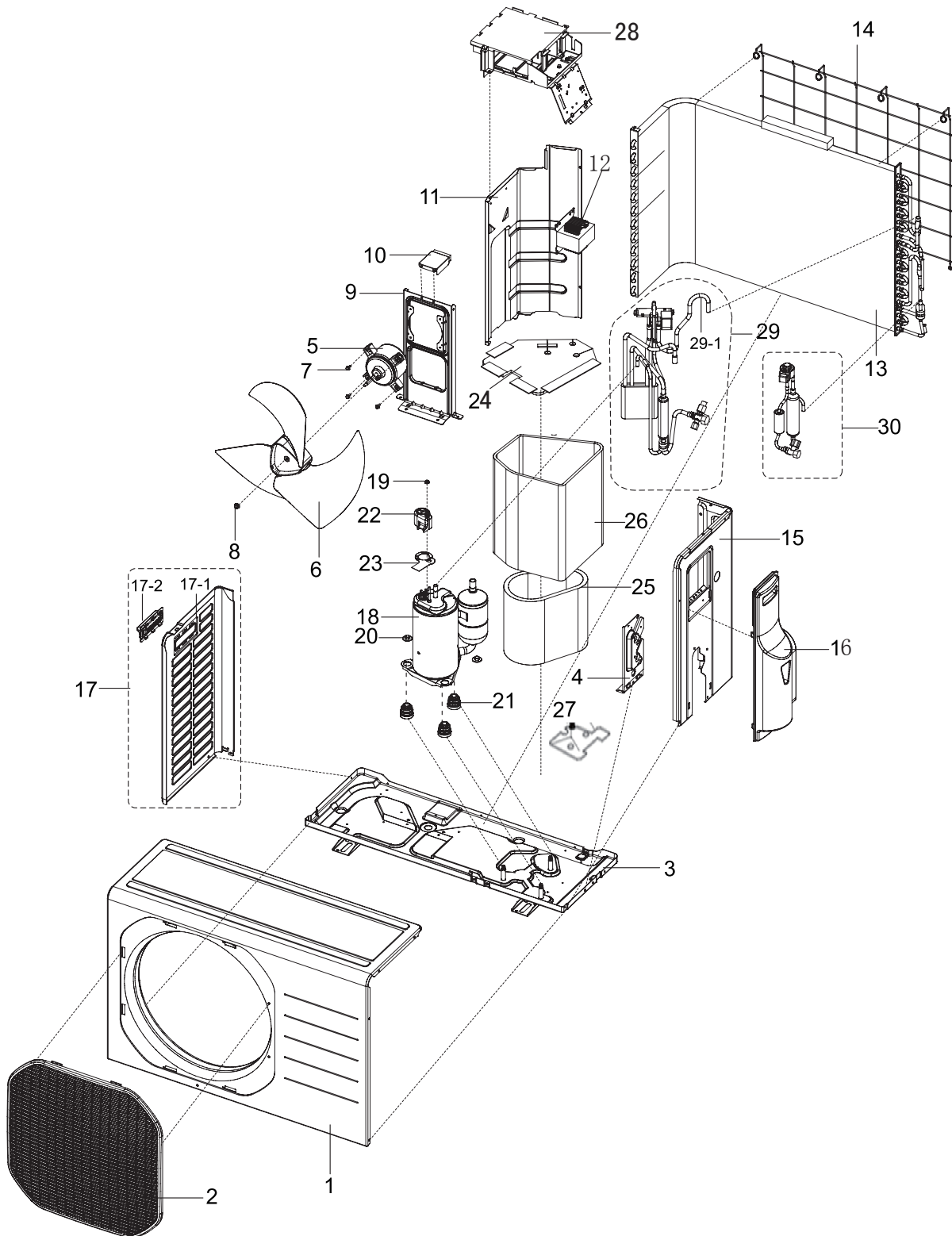


■ Parts List

| No. | Code No. | Description | Specification | Qty | | | | SA/SNA |
|-----|-------------|-----------------------|------------------|----------|----------|----------|-------------|--------|
| | | | | AQV**PWA | AQV**PSA | AQV**PSB | AQV**PSBSER | |
| 1 | DB94-01923B | ASSY BACK BODY | ASSY | 1 | 1 | 1 | 1 | SA |
| 1-1 | DB61-03656A | BODY BACK | HIPS | 1 | 1 | 1 | 1 | SA |
| 1-2 | DB61-03651B | SUPPORT-EVAP RH | HIPS | 1 | 1 | 1 | 1 | SA |
| 1-3 | DB62-05888A | SEAL-INSUL BODY REAR | EPS (30) | 1 | 1 | 1 | 1 | SA |
| 1-4 | DB61-03666A | HOLDER-PIPE | HIPS | 1 | 1 | 1 | 1 | SA |
| 2 | DB97-02851C | ASSY-PLATE HANGER | SGCC-M, T0.7 | 1 | 1 | 1 | 1 | SA |
| 3 | DB92-02280A | ASSY PANEL FRONT | ASSY | 1 | 1 | 1 | 1 | SA |
| 3-1 | DB64-02561A | PANEL FRONT | HIPS | 1 | 1 | 1 | 1 | SA |
| 3-2 | DB63-02760A | FILTER-PRE | PP | 2 | 2 | 2 | 2 | SA |
| 3-3 | DB97-11240C | ASSY COVER TERMINAL | ASSY | 1 | 1 | 1 | 1 | SA |
| 3-4 | DB90-06134B | ASSY COVER DISPLAY | ASSY | 1 | 1 | 1 | 1 | SA |
| 3-5 | DB64-02553C | GRILLE-AIR INLET | HIPS | 1 | 1 | 1 | 1 | SA |
| 3-6 | DB64-02550A | DECO-GRILLE | HIPS | 1 | - | - | - | SA |
| 3-6 | DB64-02550B | DECO-GRILLE | HIPS | - | 1 | 1 | 1 | SA |
| 4 | DB93-10953A | ASSY CONTROL IN | ASSY | 1 | 1 | 1 | 1 | SNA |
| 4-1 | DB93-10859G | ASSY PCB MAIN IN | PCB | 1 | 1 | - | - | SA |
| 4-1 | DB93-10955A | ASSY PCB MAIN IN | PCB | - | - | 1 | 1 | SA |
| 4-2 | DB95-04570B | ASSY THERMISTOR IN | SENSOR | 1 | 1 | 1 | 1 | SA |
| 5 | DB90-04385A | ASSY COVER CONTROL IN | T0.5 | 1 | 1 | 1 | 1 | SA |
| 6 | DB94-02960A | ASSY TRAY DRAIN | ASSY | 1 | 1 | 1 | 1 | SA |
| 6-1 | DB63-02118A | TRAY DRAIN | ABS | 1 | 1 | 1 | 1 | SA |
| 6-2 | DB61-03672A | BLADE-V | PP | 2 | 2 | 2 | 2 | SA |
| 6-3 | DB66-01559A | BLADE-H | ABS | 1 | 1 | 1 | 1 | SA |
| 6-4 | DB62-05892A | INSULATION-TRAY FR | FR EPS (30) | 1 | 1 | 1 | 1 | SA |
| 6-5 | DB31-00371A | MOTOR STEP | DC12V, 600gf. cm | 1 | 1 | 1 | 1 | SA |
| 6-6 | DB69-00839A | CUSHION-TRAY RH | EPS (30) | 1 | 1 | 1 | 1 | SA |
| 6-7 | DB63-02121A | TRAY-STABILIZER | HIPS | 1 | 1 | 1 | 1 | SA |
| 6-8 | DB94-00458D | ASSY DRAIN-HOSE | ASSY | 1 | 1 | 1 | 1 | SA |
| 7 | DB96-11359B | ASSY EVAP TOTAL | ASSY | 1 | 1 | 1 | 1 | SA |
| 7-1 | DB61-03650A | HOLDER-EVAP | HIPS | 1 | 1 | 1 | 1 | SA |
| 8 | DB94-01874A | ASSY-CROSS FAN ASSY | AS +GF 30% | 1 | 1 | 1 | 1 | SA |
| 8-1 | DB94-00455B | ASSY RUBBER BEARING | ASSY | 1 | 1 | 1 | 1 | SA |
| 9 | DB31-00531D | MOTOR FAN | ASSY | 1 | 1 | 1 | 1 | SA |

5-2 Outdoor Unit

AQV**P*AX

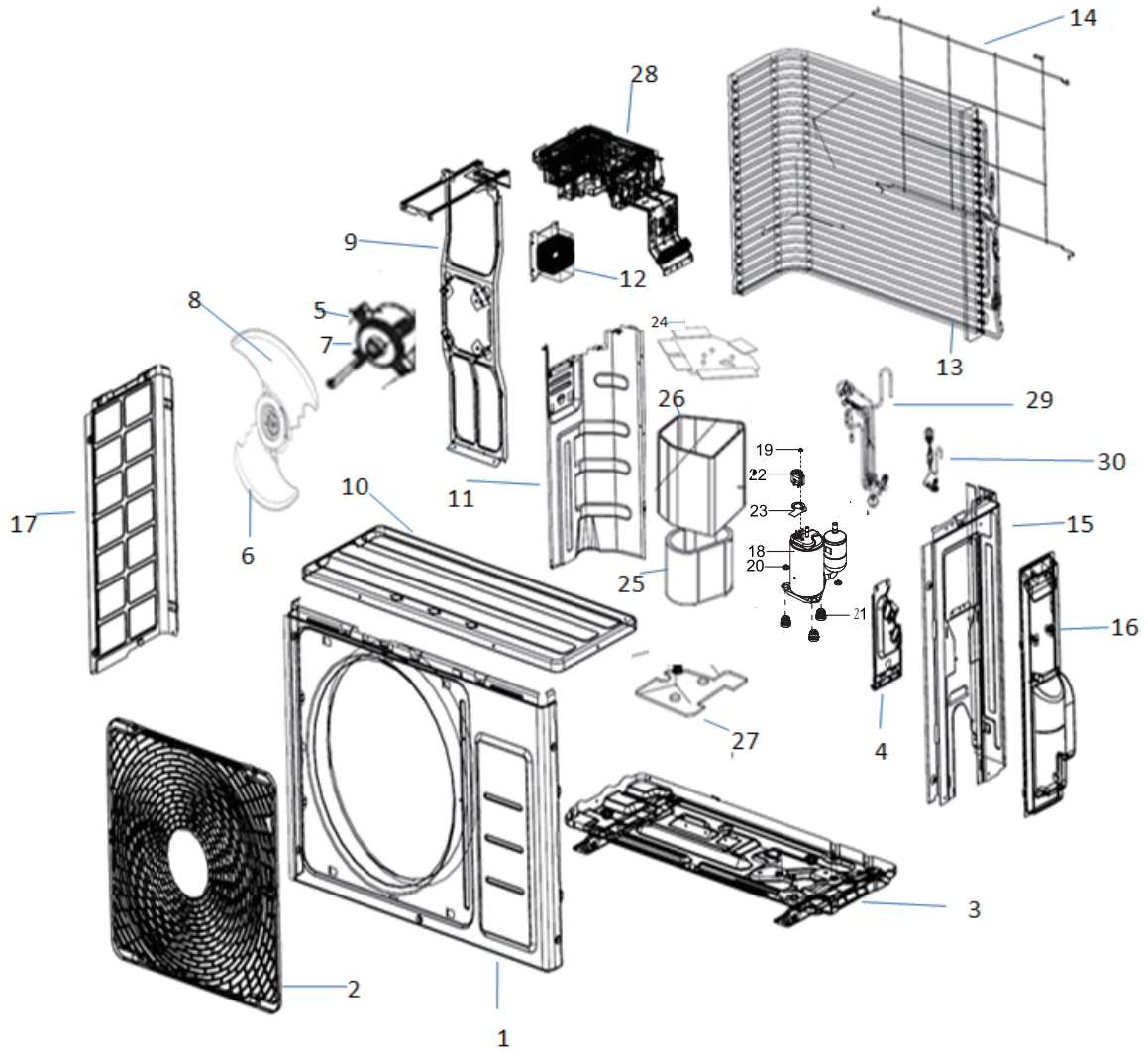


■ Parts List

| No. | Code No. | Description | Specification | Qty | | SA/SNA |
|------|----------------|------------------------|----------------|-----------|-----------|--------|
| | | | | AQV09P*AX | AQV12P*AX | |
| 1 | DB90-03846A | ASSY CABI FRONT | ASSY | 1 | 1 | SA |
| 2 | DB63-02004A | GUARD FAN | PP | 1 | 1 | SA |
| 3 | DB90-01330L | ASSY BASE OUT | ASSY | 1 | 1 | SA |
| 4 | DB99-00401B | BRACKET-VALVE | SECC-M, T1.0 | 1 | 1 | SA |
| 5 | DB31-00590A | MOTOR FAN | ASSY | 1 | 1 | SA |
| 6 | DB67-00397B | FAN-PROPELLER | AS+GF20%, Φ400 | 1 | 1 | SA |
| 7 | 6009-001369 | SCREW-HEX | M4, L12 | 3 | 3 | SA |
| 8 | DB60-30004A | SCREW-MACHINE | M6, ZPC (WHT) | 1 | 1 | SA |
| 9 | DB61-01644A | BRACKET MOTOR | SGCC-M | 1 | 1 | SA |
| 10 | DB97-02225N | ASSY-SUPPORT PLATE B/M | ASSY | 1 | 1 | SA |
| 11 | DB94-02958A | ASSY-PARTITION | ASSY | 1 | 1 | SA |
| 12 | DB27-00041B | COIL CHOKE-REACTOR | 5mH, 10A | 1 | 1 | SA |
| 13 | DB96-06562H | ASSY COND | ASSY | - | 1 | SA |
| 13 | DB96-13214C | ASSY COND | ASSY | 1 | - | SA |
| 14 | DB64-02117B | SCREEN-COND BAR | ASSY | 1 | 1 | SA |
| 15 | DB90-01546Q | ASSY CABINET-SIDE RH | ASSY | 1 | 1 | SA |
| 16 | DB90-03818H | ASSY COVER CONTROL | ASSY | 1 | 1 | SA |
| 17 | DB90-01332C | ASSY CABINET-SIDE LF | ASSY | 1 | 1 | SA |
| 17-1 | DB64-01094A | CABINET-SIDE LF | SECC-P | 1 | 1 | SA |
| 17-2 | DB64-00992A | HANDLE-LF | PP | 1 | 1 | SA |
| 18 | UG9A090FUBEPSS | COMPRESSOR | ROTARY | 1 | 1 | SA |
| 19 | 6021-001142 | NUT-HEXAGON FLANGE | M5, ZPC (YEL) | 1 | 1 | SA |
| 20 | DB60-30028A | SCREW-HEX | M8, ZPC (WHT) | 3 | 3 | SA |
| 21 | DB99-01063A | GROMMET ISOLATOR | ASSY | 3 | 3 | SA |
| 22 | DB63-02312A | COVER TERMINAL | NORYL | 1 | 1 | SA |
| 23 | DB63-01416C | GASKET | EPDM RUBBER | 1 | 1 | SA |
| 24 | DB63-02843A | FELT-COMP UPPER OUT | FELT+PVC | 1 | 1 | SA |
| 25 | DB63-02850A | FELT-COMP SIDE | FELT | 1 | 1 | SA |
| 26 | DB63-02844A | FELT-COMP SIDE OUT | FELT+PVC | 1 | 1 | SA |
| 27 | DB63-02845A | FELT-COMP BASE | FELT | 1 | 1 | SA |
| 28 | DB93-10959A | ASSY CONTROL OUT | ASSY | 1 | 1 | SNA |
| 29 | DB96-14951A | ASSY-VALVE 4WAY | ASSY | 1 | 1 | SA |
| 29-1 | DB95-01612C | ASSY-SOLENOID | ASSY | 1 | 1 | SA |
| 30 | DB96-14950A | ASSY-VALVE CHECK | ASSY | 1 | 1 | SA |

5-2 Outdoor Unit

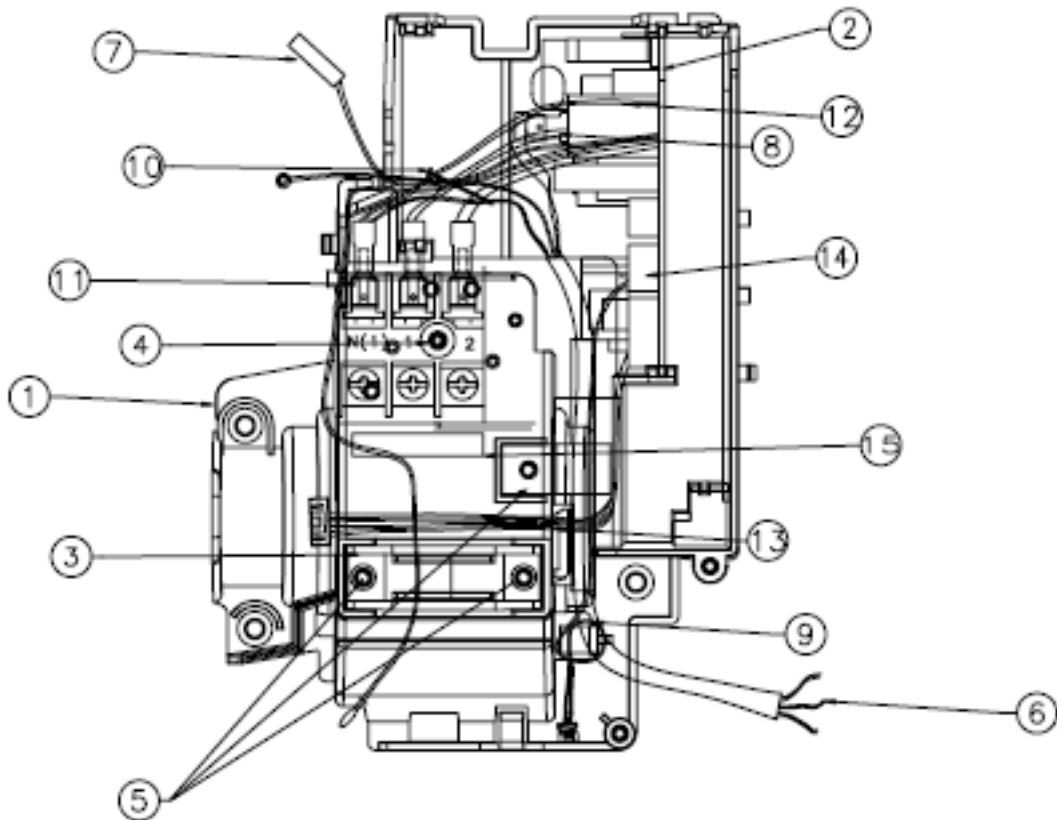
AQV**PSBX*



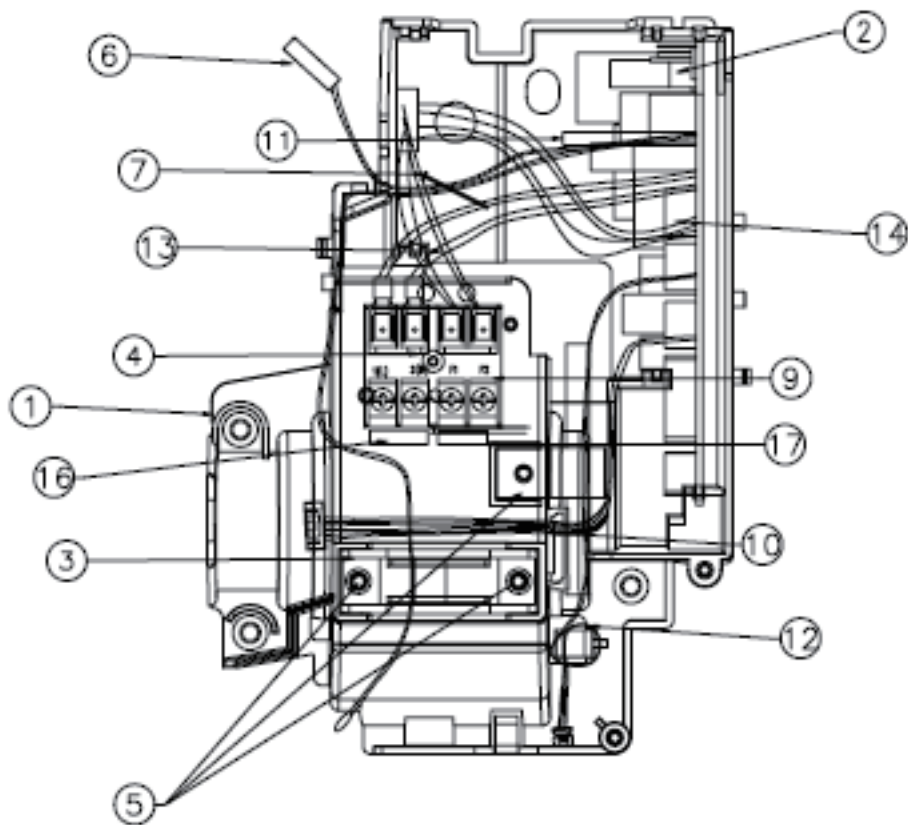
■ Parts List

| No. | Code No. | Description | Specification | Qty | SA/SNA |
|------|----------------|----------------------|---------------------|---------------|--------|
| | | | | AQV09/12PSBX* | |
| 1 | DB90-05752A | ASSY CABI FRONT | ASSY | 1 | SA |
| 2 | DB63-02588A | GUARD FAN | PP | 1 | SA |
| 3 | DB90-06226A | ASSY BASE OUT | ASSY | 1 | SA |
| 4 | DB90-05738A | BRACKET-VALVE | SGCC-M (PAINTED) | 1 | SA |
| 5 | DB31-00564A | MOTOR FAN | ASSY | 1 | SA |
| 6 | DB67-01042A | FAN-PROPELLER | PP-(GF+PD) 40, Φ410 | 1 | SA |
| 7 | 6009-001369 | SCREW-HEX | M4, L12 | 3 | SA |
| 8 | DB60-30004A | SCREW-MACHINE | M6, ZPC (WHT) | 1 | SA |
| 9 | DB90-06219B | BRACKET MOTOR | SGCC-M | 1 | SA |
| 10 | DB90-05736A | ASSY CABINET-UPPER | ASSY | 1 | SA |
| 11 | DB94-02998A | ASSY-PARTITION | ASSY | 1 | SA |
| 12 | DB27-00042B | COIL CHOKE-REACTOR | 5mH, 15A | 1 | SA |
| 13 | DB96-15014A | ASSY COND | ASSY | 1 | SA |
| 14 | DB64-02444A | SCREEN-COND BAR | ASSY | 1 | SA |
| 15 | DB90-05751A | ASSY CABINET-SIDE RH | ASSY | 1 | SA |
| 16 | DB90-05740A | ASSY COVER VALVE | ASSY | 1 | SA |
| 17 | DB90-05749A | ASSY CABINET-SIDE LF | ASSY | 1 | SA |
| 18 | UG9A090FUBJPSS | COMPRESSOR | ROTARY | 1 | SA |
| 19 | 6021-001142 | NUT-HEXAGON FLANGE | M5, ZPC (YEL) | 1 | SA |
| 20 | DB60-30028A | SCREW-HEX | M8, ZPC (WHT) | 3 | SA |
| 21 | DB99-01063A | GROMMET ISOLATOR | ASSY | 3 | SA |
| 22 | DB63-02310A | COVER TERMINAL | NORYL | 1 | SA |
| 23 | DB63-00817B | GASKET | EPDM RUBBER | 1 | SA |
| 24 | DB63-02863A | FELT-COMP UPPER OUT | FELT+PVC | 1 | SA |
| 25 | DB63-02861A | FELT-COMP SIDE | FELT | 1 | SA |
| 26 | DB63-02860A | FELT-COMP SIDE OUT | FELT+PVC | 1 | SA |
| 27 | DB63-02864A | FELT-COMP BASE | FELT | 1 | SA |
| 28 | DB93-10960A | ASSY CONTROL OUT | ASSY | 1 | SNA |
| 29 | DB96-15215A | ASSY-VALVE 4WAY | ASSY | 1 | SA |
| 30 | DB96-15216A | ASSY-EEV | ASSY | 1 | SA |
| 30-1 | DB62-03916A | VALVE EXPANSION BODY | FUJIKOKI Φ1.4 | 1 | SA |
| 30-2 | DB62-03964A | VALVE EXPANSION COIL | FUJIKOKI 6-PIN | 1 | SA |

5-3 ASSY-CONTROL IN IN



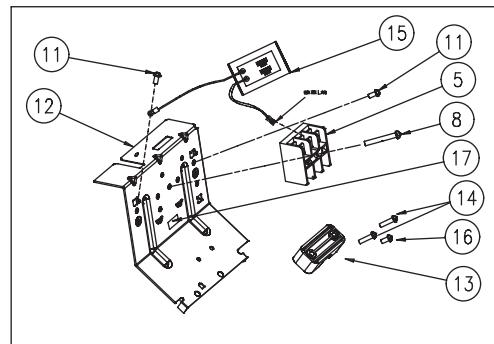
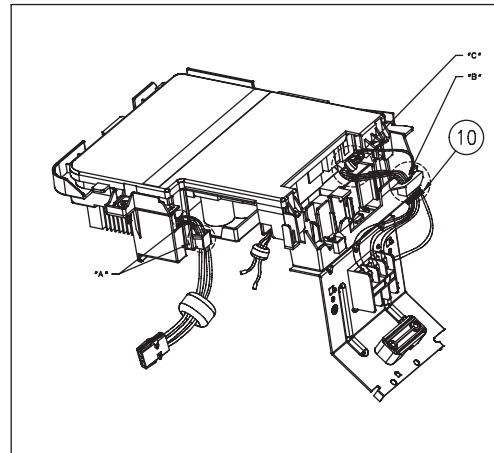
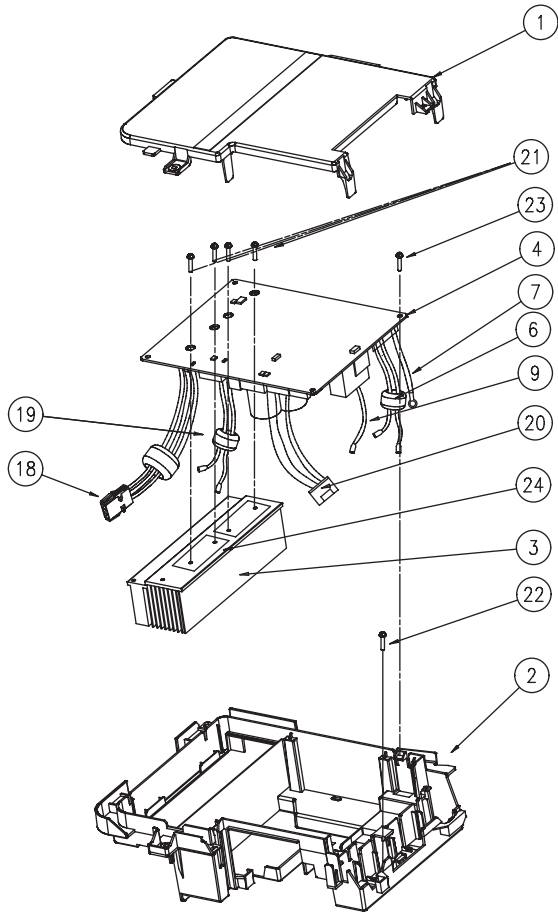
| ASSY CONTROL IN CODE | | | DB93-10953A | DB93-10953B [▲] | | |
|----------------------|----------------------------|--------------------|---|---|-------------|-----|
| 适用型号 | | | MALDIVE L/C 9"18K H/P L/C 非磁粉 AQV12PWAN AQV09PWAN | MALDIVE L/C 9"18K H/P L/C 非磁粉 ASV12PAXAX ASV09PAXAX | | |
| NO | NAME | SPEC | CODE-NO | QTY | CODE-NO | QTY |
| 1 | CASE CONTROL IN | MALDIVE | DB61-04578A | 1 | DB61-04578A | 1 |
| 2 | ASS'Y PCB MAIN | MALDIVE LW COST | DB93-10859G | 1 | DB93-10859G | 1 |
| 3 | HOLDER WIRE CLAMP | ABS,BLK,V21-PJ | DB61-01097A | 1 | DB61-01097A | 1 |
| 4 | SCREW | PH M3*L25 | DB91-00309A | 1 | DB91-00309A | 1 |
| 5 | SCREW | TH M4*L10 | DB97-02418A | 3 | DB97-02418A | 3 |
| 6 | ASS'Y POWER CORD | ASS'Y POWER CORD | DB91-01260A DB91-01260A [▲] | 1 | DB91-01260A | 1 |
| 7 | ASS'Y THERMISTOR | 3a,BLK,SM200,MIT | DB95-04570B | 1 | DB95-04570B | 1 |
| 8 | ASSY C/W 1/8(1) TO 1/16(3) | 99N | DB93-08572A | 1 | DB93-08572A | 1 |
| 9 | ASSY C/W LOWER | 5 PIN | DB93-04688B | 1 | DB93-04688B | 1 |
| 10 | CABLE TIE | NYLON66 | DB65-10088D | 1 | DB65-10088D | 1 |
| 11 | TERMINAL BLOCK | (M1),1,2 | DB65-00181B | 1 | DB65-00181B | 1 |
| 12 | POWER IN WIRE | 2 PIN | DB93-10916F DB93-10916F [▲] | 1 | DB93-10916F | 1 |
| 13 | MAIN PBA TO DISPLAY | 9 PIN | DB93-10918C | 1 | DB93-10918C | 1 |
| 14 | MPI WIRE | 100MM | DB93-04695B | 0 | DB93-04695B | 1 |
| 15.▲ | LABEL | POWER NO COM LABEL | DB98-32314A | 1 | DB98-32314A | 1 |



| ASSY CONTROL IN CODE | | | DB93-10957A | |
|----------------------|---------------------------|----------------------|--|-----|
| 适用型号 | | | MALDIVE HIGH 9~12K H/P 恶劣地区基准 AQV12PSBN AQV09PSBN | |
| NO | NAME | SPEC | CODE-NO | QTY |
| 1 | CASE CONTROL IN | MALDIVE | DB61-04578A | 1 |
| 2 | ASS'Y PCB MAIN | MALDIVE1 HIGH EEV | DB93-10955A | 1 |
| 3 | HOLDER WIRE CLAMP | ABS, BLK, V21-PJ | DB61-01097A | 1 |
| 4 | SCREW | PH M3*L25 | DB91-00309A | 8 |
| 5 | SCREW | TH M4*L10 | DB97-02418A | 2 |
| 6 | ASS'Y THERMISTOR | 3*, BLK, SM200, WHT | DB95-04570B | 1 |
| 7 | CABLE TIE | NYLON66 | DB65-10088D | 1 |
| 9 | TERMINAL BLOCK | [1(L), 2(N), F1, F2] | DB65-00176C | 1 |
| 10 | MAIN PBA TO DISPLAY | 10 PIN TO 9 PIN | DB93-10918H | 1 |
| 11 | MAIN PBA TO TERMINAL FUSE | 2 PIN | DB93-10917A | 0 |
| 12 | ASSY C/M LOUVER | 5 PIN, 250mm, WHITE | DB93-04688B | 1 |
| 13 | POWER IN WIRE | 2 PIN | DB93-10942A | 1 |
| 14 | COMM WIRE | 2 PIN | DB95-04339E | 1 |
| 15 | MPI WIRE | 4 PIN, 100mm | DB93-04695B | 0 |
| 16 | LABEL | POWER | DB98-33293A | 1 |
| 17 | LABEL | COMMUNICATION | DB98-33292A | 1 |

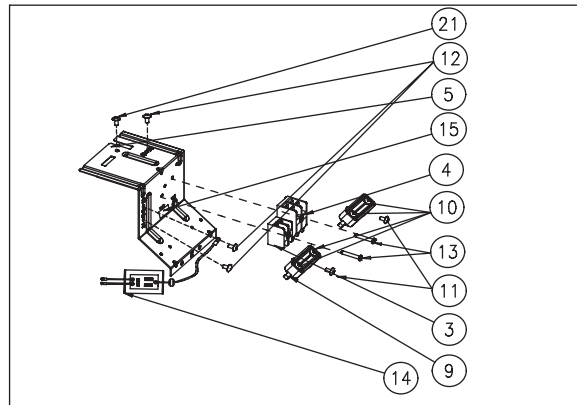
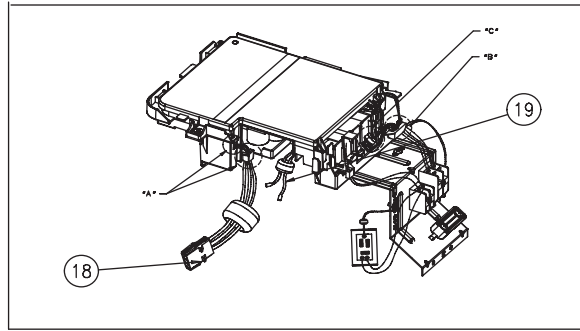
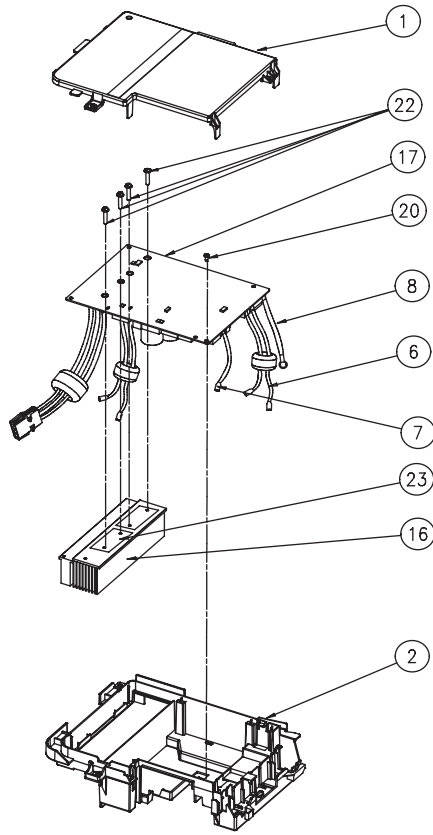
5-4 Ass'y Control Out

■AQV**PWA



| ASSY CONTROL OUT CODE | | | | DB93-10959A |
|-----------------------|-------------|---------------------|----------------------------------|--|
| MODEL | | | | AC FAN 150 COMP AQV12P*AX AQV09P*AX |
| NO | CODE-NO | NAME | SPEC | QTY |
| 1 | DB61-04676A | CASE CONTROL-COVER | O1 | 1 |
| 2 | DB61-04658A | CASE CONTROL-BASE | S1/O1 | 1 |
| 3 | DB62-09724A | HEAT SINK | O1 | 1 |
| 4 | DB93-10938A | ASSY PCB MAIN | O1 | 1 |
| 5 | DB65-00181B | TERMINAL BLOCK-ASSY | | 1 |
| 6 | DB93-09495A | WIRE-POWER | AWG16, BRN, SKYBLU | 1 |
| 7 | DB93-09494A | WIRE-EARTH | AWG20, GRNYEL | 1 |
| 8 | 6002-000555 | SCREW | M4 | 1 |
| 9 | DB93-10820A | WIRE-POWER | AWG20, BLK | 1 |
| 10 | DB65-10088D | CABLE-TIE | NYLON66 | 1 |
| 11 | 6009-001001 | SCREW | TH+ | 3 |
| 12 | DB61-04678A | PLATE-CONTROL OUT | O1 | 1 |
| 13 | DB61-00250A | HOLDER-WIRE CLAMP | HOLDER-WIRE CLAMP | 1 |
| 14 | 6002-000214 | SCREW | TH, +, -, 1, M4.0, L16, ZPC(BLK) | 2 |
| 15 | DB95-04748A | ASSY NOISE ABSORBER | * | 1 |
| 16 | 6001-001054 | SCREW | M4, L25 | 1 |
| 17 | DB98-32314A | LABEL | POWER/COMM | 1 |
| 18 | DB93-09497A | WIRE-COMP | AWG16, RED, BLU, YEL | 1 |
| 19 | DB93-09493A | WIRE-REACTOR | AWG16, WHT | 1 |
| 20 | DB93-11026A | WIRE-DOWNLOAD | 4PIN | 1 |
| 21 | DB91-00306A | ASSY-SCREW MACHINE | M3, L16 | 4 |
| 22 | 6002-000527 | SCREW | M4, L10 | 1 |
| 23 | 6002-000630 | SCREW | PH + | 1 |
| 24 | DB98-24813A | THERAL GREASE | | 2g |

■A QV**PSB



| ASSY CONTROL OUT CODE | | | | DB93-10960A | DB93-10960B |
|-----------------------|-------------|---------------------|----------------------------------|--|--|
| 通用型号 | | | | AC FAN 9/12K 150 COMP 欧洲向 A QV12PSBX * A QV09PSBX * | AC FAN 18K 150 COMP 欧洲向 A QV18PWAX |
| NO | CODE-NO | NAME | SPEC | QTY | QTY |
| 1 | DB61-04659A | CASE CONTROL-COVER | SI | 1 | 1 |
| 2 | DB61-04658A | CASE CONTROL-BASE | SI/OI | 1 | 1 |
| 3 | DB65-00061H | TERMINAL BLOCK | TERMINAL BLOCK-ASSY | 1 | 1 |
| 4 | DB65-00298B | TERMINAL BLOCK | TERMINAL BLOCK-ASSY | 1 | 1 |
| 5 | DB61-04324A | PLATE-CONTROL OUT | SI | 1 | 1 |
| 6 | DB93-09495G | WIRE-POWER | AWG16, BRN, SKYBLU | 1 | 1 |
| 7 | DB93-09496A | WIRE-COMUNICATION | AWG22, RED, BLU | 1 | 1 |
| 8 | DB93-09494C | WIRE-EARTH | AWG20, GRNYEL | 1 | 1 |
| 9 | DB61-00250A | HOLDER-WIRE CLAMP | HOLDER-WIRE CLAMP | 2 | 2 |
| 10 | 6002-000214 | SCREW | TH, +, -, 1, M4.0, L16, ZPC(BLK) | 4 | 4 |
| 11 | 6001-001054 | SCREW | M4, L25 | 2 | 2 |
| 12 | 6009-001001 | SCREW | TH+ | 3 | 3 |
| 13 | 6002-000555 | SCREW | M4, L25 | 2 | 2 |
| 14 | DB95-01712M | ASSY NOISE ABSORBER | * | 1 | 1 |
| 15 | DB98-33292A | LABEL | COMM/POWER | 1 | 1 |
| 16 | DB62-09724A | HEAT SINK | OI | 1 | 0 |
| | DB62-09725A | HEAT SINK | SI | 0 | 1 |
| 17 | DB93-10952A | ASSY PCB MAIN | SI | 1 | 1 |
| 18 | DB93-09497C | WIRE-COMP | AWG16, RED, BLU, YEL | 1 | 1 |
| 19 | DB93-09493C | WIRE-REACTOR | AWG16, WHT | 1 | 1 |
| 20 | 6002-000630 | SCREW | PH + | 1 | 1 |
| 21 | 6002-000527 | SCREW | M4, L10 | 1 | 1 |
| 22 | DB91-00306A | ASSY-SCREW MACHINE | M3, L16 | 4 | 4 |
| 23 | DB98-001027 | THERAL GREASE | NYLON66 | 2g | 2g |
| 24 | DB65-10088D | CABLE-TIE | | 0 | 0 |